

This Owner's Manual is provided and hosted by [Appliance Factory Parts](#).



# CUISINART CCG-190ARD Owner's Manual

[Shop genuine replacement parts for CUISINART  
CCG-190ARD](#)



[Find Your CUISINART Grill Parts - Select From 152 Models](#)

----- Manual continues below -----

## Operating Your Grill

### Select a Proper Location

Once you have assembled your new grill, find a suitable location for use.

#### **⚠ DANGER**

- Never use this outdoor grill inside any building, garage, shed or breezeway, under an overhang or inside any boat, trailer or recreational vehicle, to prevent possible fire and to prevent the possibility of carbon monoxide poisoning or asphyxiation.
- Always place your grill on a hard and level surface far away from combustible materials and structures.
- Do not use this grill under overhead combustible surface or covered area (e.g., awnings, umbrellas, porches or gazebos). Keep all combustible surfaces at least 10 feet (3 meters) away.
- Locate the grill away from any combustible and non-combustible material or construction by at least 10 feet (3m).
- Never store or use gasoline or other flammable or volatile substances in the vicinity of this grill or in the vicinity of any other heat-generating appliance, because of the danger of starting a fire.
- Do not obstruct the flow of combustion and ventilation air.

#### **⚠ DANGER**

- Do not use gasoline, kerosene or alcohol for lighting. Use only charcoal lighter fluid. Follow manufacturer's instructions.
- Do not add charcoal lighter fluid or charcoal impregnated with charcoal lighter fluid to hot or warm charcoal.
- Do not overfill charcoal tray. Excess charcoal may cause a fire, or may cause damage to your grill.

#### **⚠ DANGER**

- Never use water to extinguish charcoal.
- Do not remove ashes until all charcoal is completely burned out or completely extinguished.

### AIR VENT OPERATION

Your grill has two airflow control vents; an inlet vent on the bottom of the firebox above the ash collection tray, and an air exhaust vent at the top of the lid. By adjusting the amount of vent opening, you can adjust the temperature of your grill.

#### **⚠ DANGER**

- The vents and vent controls and the metal surfaces around them will become very hot during grill use. Use grill mitts or hot pads to adjust vents when grill is in use.

See our full line of premium Cuisinart™ Outdoor Cooking Products at [www.cuisinart.com](http://www.cuisinart.com)



Cuisinart grills



Grilling tools and accessories



Cast iron outdoor cookware



Non-stick accessories

## Cuisinart

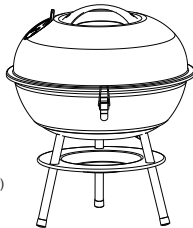
Cuisinart® is a registered trademark under license to the Fulham Group  
Distributed by The Fulham Group, Newton, MA, U.S.A.  
**MADE IN CHINA**  
90 Day Limited Warranty

# Cuisinart®

Outdoor Grilling Products

## 14" Portable Charcoal Grill

Models CCG-190, CCG-190RB, CCG-190ABL, CCG-190ARD, CCG-190AGR, CCG-190AOR, CCG-190ATQ (Other similar models may apply)



### ASSEMBLY AND OPERATING INSTRUCTIONS

#### **⚠ WARNING: FOR OUTDOOR USE ONLY**

- ⚠ This instruction manual contains important information necessary for the proper assembly and safe use of the appliance
- ⚠ Read and follow all warnings and instructions before assembling and using the appliance
- ⚠ Follow all warnings and instructions when using the appliance
- ⚠ Keep this manual for future reference

**Note to installer:** Leave this Owner's Manual with the consumer after delivery and/or installation.  
**Note to customer:** Leave this Owner's Manual in a convenient place for future reference.

#### **⚠ DANGER – CARBON MONOXIDE HAZARD**

**Do Not Use Indoors!** Burning charcoal releases carbon monoxide gas. If used indoors or in a poorly ventilated area, the gas can accumulate and cause serious injury or death.

#### **⚠ DANGER**

Do not store or use gasoline, alcohol or other flammable liquids to light charcoal. Use only charcoal lighter fluid following the manufacturer's instructions

#### **⚠ DANGER**

Failure to follow these instructions could result in fire, explosion or burn hazard, which could cause property damage, personal injury or death.

#### **⚠ DANGER**

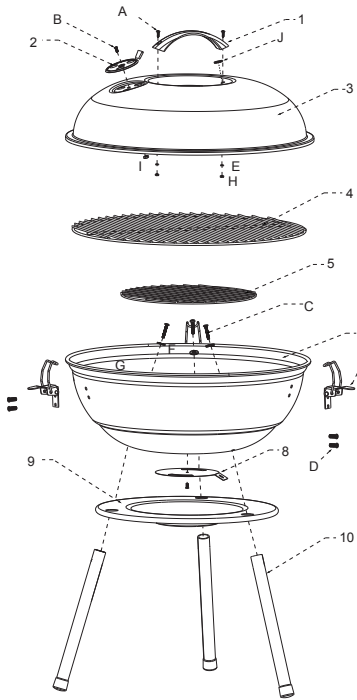
1. Never operate this grill unattended.
2. Never operate this grill within 10 feet (3.05m) of any flammable material
3. Never operate this grill with 25 feet (7.5m) of any flammable liquid.
4. If a fire should occur, keep away from the grill and immediately call your fire department . Do not attempt to extinguish an oil or grease fire with water.

#### **⚠ DANGER**

Failure to follow these instructions could result in fire, explosion or burn hazard, which could cause property damage, personal injury or death.

## Exploded View & Hardware Parts

### EXPLODED VIEW



- |                    |      |
|--------------------|------|
| 1. Lid handle      | x1pc |
| 2. Lid air vent    | x1pc |
| 3. Lid             | x1pc |
| 4. Cooking grid    | x1pc |
| 5. Charcoal grid   | x1pc |
| 6. Fire bowl       | x1pc |
| 7. Lid hinge       | x3pc |
| 8. Bottom air vent | x1pc |
| 9. Ash tray        | x1pc |
| 10. Leg            | x3pc |

### HARDWARE LIST

A. Handle Screw		2 pcs
B. Vent Screw		2 pcs
C. Leg Screw		3 pcs
D. Hinge Screw		6 pcs
E. Handle Washer		2 pcs
F. Leg Washer		3 pcs
G. Hinge Nut		6 pcs
H. Handle Nut		2 pcs
I. Vent Nut		2 pcs
J. Soft Handle Washer		2 pcs

### PRE-ASSEMBLY CHECK LIST

- To assure fast and easy assembly, follow the instructions below in their proper sequence.
- Check all parts carefully and compare them to the parts list.
- Report any missing parts to the company from which you purchased the product.

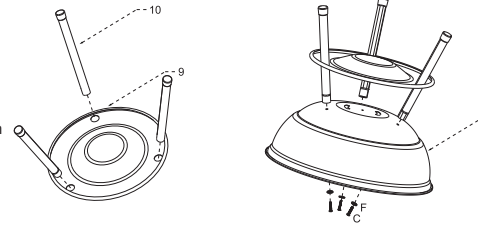
NOTE: For some models, Part C Leg Screw and Part F Leg Washer may be located in the Leg. For some pre-assembled models, Steps 2 and 3 may have already been completed.

**STOP!** if you experience any missing or broken parts or have any questions regarding assembly, please call our Customer Service team at 1-866-994-6390.

## ASSEMBLY STEPS

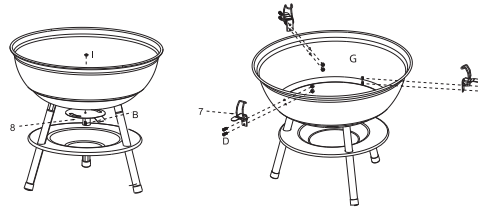
### Step 1:

Put the legs (10) through hole of ash tray (9) and attach to the fire bowl (6). Finger tighten to hold them together one by one. Tighten the screws using a screwdriver. Do not twist leg too tighten.



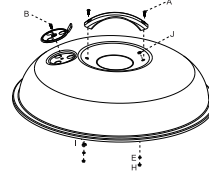
### Step 2:

- Install the bottom air vent (8) to fire bowl (6).
- Attach lid hinges (7) to the fire bowl (6). Finger tighten to hold them together one by one. Tighten the screws using a screwdriver.



### Step 3:

- Attach the lid handle (1) to the lid (3).
- Attach the lid air vent (2) to the lid (3).



### Step 4:

Place charcoal grid (5) onto fire bowl (6). Place cooking grid (4) on fire bowl (6).

