

Cuisinart®

Outdoor Grilling Products

WARNING

For Outdoor Use Only (outside any enclosure)

WARNING

1. Improper installation, adjustment, alteration, service or maintenance can cause injury or property damage.
2. Read this instruction manual thoroughly before installing or servicing this equipment.
3. Failure to follow these instructions could result in fire or explosion, which could cause property damage, personal injury or death.
4. This instruction manual contains important information necessary for proper assembly and safe use this appliance.
5. Always keep this manual for convenient future reference.

WARNING

1. DO NOT store or use gasoline or other flammable vapors and liquids in the vicinity of this or any other appliance.
2. An LP tank not connected for use should not be stored in the vicinity of this or any other appliance.

DANGER

If you smell gas:

1. Shut off gas to the appliance.
2. Extinguish any open flames.
3. Open the lid.
4. If the odor continues, keep away from the appliance and immediately call your gas supplier or fire department.

DANGER

Never operate this appliance unattended.

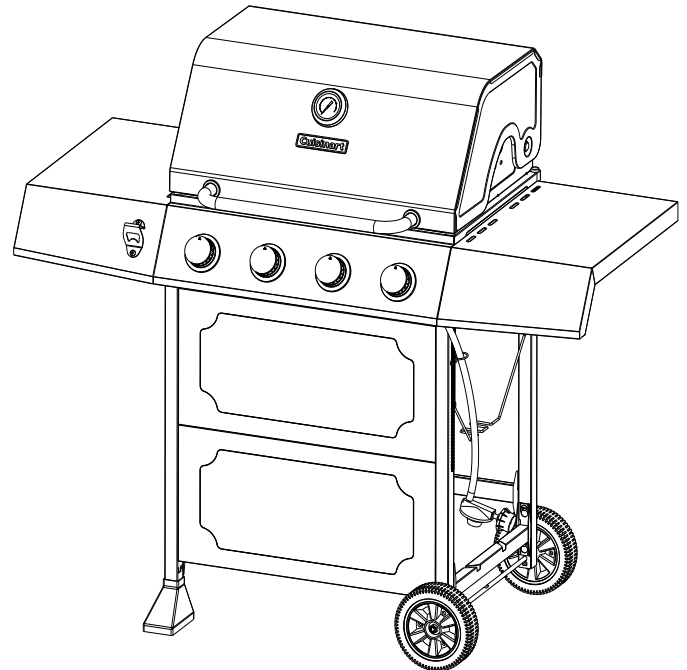
WARNING

Check for leaks every time prior to you light the grill, even if purchased fully assembled. Gas leaks may cause a fire or explosion.

Please read the instructions on Page 20.

4 BURNER GAS GRILL

Model NO.:CGG-7400



Customer Service Hotline

1-866-994-6390

DO NOT RETURN YOUR GRILL TO AMAZON.COM

Before running to your retailer, call our customer service department at 1-866-994-6390 from 9:00am to 5:00pm Eastern time, Monday through Friday.

TABLE OF CONTENTS

Cover	1
Table of contents.....	2
Safety Information.....	3
Exploded View.....	6
Parts list.....	7
Hardware Contents.....	9
Assembly Instructions.....	10
Connecting Regulator to the LP tank.....	18
Check for Leaks.....	20
L.P. Tank Information.....	21
Lighting Instructions.....	22
Care and Maintenance.....	23
Troubleshooting	27
Warranty.....	28

Distributed by:

The Fulham Group
Newton, MA
USA

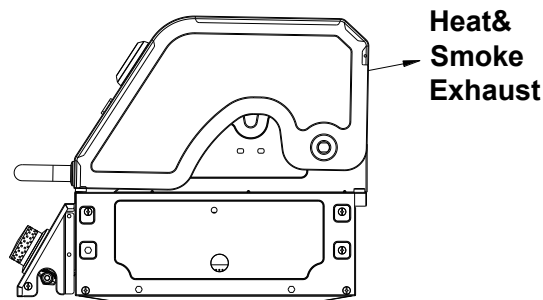
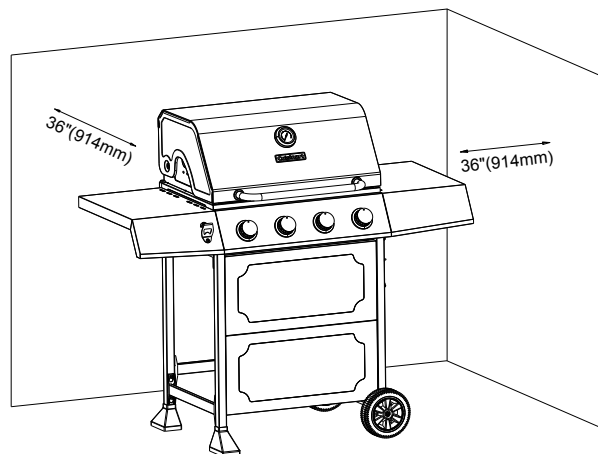
Manufacturer:

Guangdong Chant Group Inc.
No.42 Xiaolan Industrial Road South Zhongshan, Guangdong 528415, China
Please call 1-866-994-6390 for any assistance

SAFETY INFORMATION

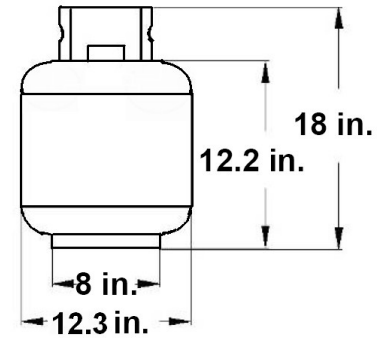
IMPORTANT: ALL INSTRUCTIONS AND SAFEGUARDS ON THIS SECTION MUST BE FOLLOWED TO PREVENT FIRE, DAMAGE AND/OR INJURY.

- ⚠ This grill is for outdoor use only, and shall not be used in a building, garage, or any other enclosed area.
- ⚠ Do NOT operate, light or use this appliance within 8 feet of walls, structures or buildings.
- ⚠ This grill is NOT for commercial use.
- ⚠ This grill is for use with liquid propane (LP) gas only. The conversion to or attempted use of natural gas in this LP gas grill is dangerous and will void your warranty.
- ⚠ The installation of this appliance must conform with local codes or, in the absence of local codes, with either *the National Fuel Gas Code, ANSI Z223.1/NFPA 54, or Natural Gas and Propane Installation Code, CSA/CGA-B149.1.*
- ⚠ This outdoor cooking gas appliance must not be placed under overhead combustible construction.
- ⚠ A minimum clearance of 36 inches from combustible constructions to the sides of the grill and 36 inches from the back of the grill to Combustible constructions must be maintained.
- ⚠ Keep your grill in an area clear and free from combustible materials, gasoline and other flammable vapors and liquids.
- ⚠ This grill is intended for use outdoors and must not be used in a building, garage or any other enclosed or covered area.
- ⚠ This outdoor grill is not intended for installation in or on recreation vehicles and/or Boats.
- ⚠ **DO NOT** leave a lit grill unattended. **Keep children and pets away from the grill at all times.**
- ⚠ Do not use the grill unless it is COMPLETELY assembled and all parts are securely fastened and tightened.
- ⚠ **DO NOT** place this grill on any type of tabletop surface. The grill should be placed on a flat and level surface.
- ⚠ The grill must be isolated from the gas supply piping system by closing its individual manual shutoff valve during any pressure testing of the gas supply system at test pressures equal to or less than 1/2 psi (3.5 KPa).
- ⚠ Never use the grill in windy areas. The grill will operate best if it is not facing directly into the wind.
- ⚠ **Heat and smoke exhaust** out of the back of the grill hood opening. Never have the grill back facing your home or anything that could be damaged by heat or smoke.
- ⚠ **DO NOT** touch metal parts of grill until it has completely cooled (about 45 minutes) to avoid burns, unless you are wearing protective gear (pot holders, gloves, BBQ mittens, etc...).
- ⚠ ALWAYS open grill lid slowly and carefully as heat and steam trapped within the grill can burn
- ⚠ **DO NOT** obstruct the flow of combustion and ventilation air to this appliance.
- ⚠ Keep all electrical cords away from a hot grill.
- ⚠ **DO NOT** use grill for indoor cooking or heating. TOXIC fumes can accumulate and cause asphyxiation.
- ⚠ After a period of storage and/or nonuse, check for leaks, burner obstructions and inspect for any abrasion, wear, cuts to the hose.



SAFETY INFORMATION

- ⚠ The LP gas cylinder used with this appliance must be:
 - (a) Constructed and marked in accordance with the Specifications for LP-Gas Cylinders of the U.S. Department of Transportation (D.O.T.) or the National Standard of Canada, CAN/CSA-B339, Cylinders, Spheres and Tubes for Transportation of Dangerous Goods; and Commission, as applicable; and
 - (b) Provided with a listed overfilling prevention device.
 - (c) Provided with a cylinder connection device compatible with the connector for outdoor cooking appliances.



- ⚠ The LP cylinder used must include a collar to protect the cylinder valve.
- ⚠ **DO NOT** store a spare LP-gas cylinder under or near this appliance.
- ⚠ An LP cylinder not connected for use shall not be stored in the vicinity of this or any other appliance.
- ⚠ Never fill the cylinder beyond 80 percent full.
- ⚠ Inspect the hoses before each use for excessive abrasion or wear, or cuts that may affect safe operation of the grill. If there is evidence of excessive abrasion or wear, or the hose is cut, it must be replaced prior to the grill being put into operation. The replacement hose assembly must be those specified by the manufacturer.
- ⚠ Never use charcoal, lighter fluid, lava rocks, gasoline, kerosene, or alcohol with this product
- ⚠ Move gas hoses as far away as possible from hot surfaces and dripping hot grease.
- ⚠ Failure to open lid while igniting the grill's burners, or not waiting 5 minutes to allow the gas to clear if the grill does not light, may result in an explosive flame-up.
- ⚠ If grill is not in use, the gas must be turned off at the supply tank.
- ⚠ Never operate grill without flame tamers installed.
- ⚠ **DO NOT** wrap the cooking grates in foil or completely cover the top surface of the grates in foil as this can lead to excessive heat and the potential for a possible fire. Doing so will void your warranty.
- ⚠ Never use the grill without the drip tray installed and hung under the burner box. Without the drip tray, hot grease and debris could leak downward and produce a fire hazard.
- ⚠ Never operate this grill without the hose ring secured to the leg. This can keep the regulator hose away from hot surfaces and dripping hot grease. Failure to do this may cause a fire or explosion.
- ⚠ Always use a meat thermometer to ensure food is cooked to a safe temperature.
- ⚠ Please use protective gloves when assembling this product.
- ⚠ **DO NOT** force parts together as this can result in personal injury or damage to the product.
- ⚠ This grill should be thoroughly cleaned and inspected on a regular basis. Clean and inspect the hose before each use of the appliance. If there is evidence of abrasion, wear, cuts, or leaks, the hose must be replaced prior to the appliance being put into operation
- ⚠ Keep the ventilation openings of the tank enclosure free and clear from debris.
- ⚠ Your grill has been checked at all factory connections for leaks. Recheck all connections, as movement in shipping can loosen connections.
- ⚠ Check for leaks even if your unit was assembled for you by someone else.
- ⚠ **DO NOT** operate if gas leak is present. Gas leaks may cause a fire or explosion.
- ⚠ Deaths, serious injury or damage to property may occur if the above is not followed exactly.

SAFETY INFORMATION

⚠ CALIFORNIA PROPOSITION 65 WARNING:

(a) The burning of gas cooking fuel generates some byproducts which are on the list of substances known by the State of California to cause cancer, reproductive harm, or other birth defects. To reduce exposure to these substances, always operate this unit according to the use and care manual, ensuring you provide good ventilation when cooking with gas.

(b) Handling the brass material on this product exposes you to lead, a chemical known to the State of California to cause cancer and birth defects or other reproductive harm. Wash hands after handling.

(c) This product contains chemicals, including lead and lead compounds, known by the State of California to cause cancer, reproductive harm, or other birth defects.

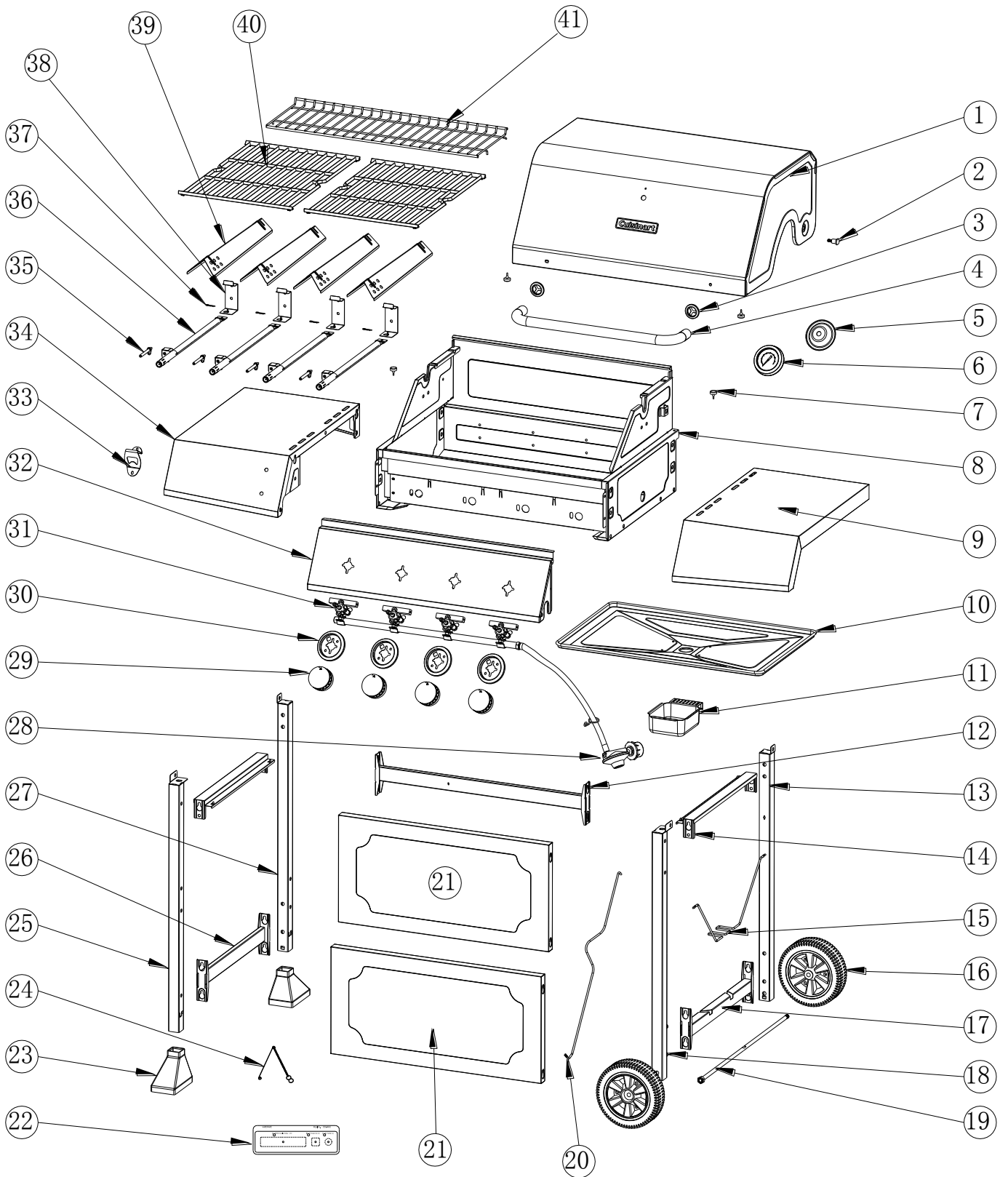
(d) **Wash your hands after using this product.**

⚠ WARNING: We urge you to read this manual carefully and follow the recommendations enclosed. This will ensure you receive the most enjoyable and trouble-free operation of your new gas grill. We also advise you retain this manual for future reference.

⚠ WARNING: Your grill has been designed to operate using only the gas specified by the manufacturer on the rating plate. **DO NOT** attempt to operate your grill on other gases. Failure to follow this warning could lead to a fire hazard and bodily harm and will void your warranty.

⚠ WARNING: Make certain your LP (propane) tank is filled by a reputable propane dealer. An incorrectly filled or an overfilled LP tank can be dangerous. The overfilled condition combined with the warming of the LP tank (a hot summer day, tank left in the sun, etc.) can cause LP gas to be released by the pressure relief valve on the tank since the temperature increase causes the propane to expand. LP gas released from the tank is flammable and can be explosive. Refer to your Owner's Manual for more information concerning filling your LP tank.

EXPLODED VIEW



PARTS LIST

PART	DESCRIPTION	PART NO	QTY
1	※Lid Assembly	2824BP01	1
2	※Lid Axis	2411017	2
3	Lid Handle Bezel	5201176	2
4	Lid Handle	5206522	1
5	Temperature Gauge Bezel	5208127	1
6	Temperature Gauge	2414112	1
7	※Lid Spacer	2100158	4
8	※Firebox Assembly	5213554	1
9	Right Side Shelf	5210046	1
10	Drip Tray	5213563	1
11	Grease Cup	5210023	1
12	Rear Beam	5210058	1
13	Right Back Leg	5206531	1
14	Drip Tray Support	5213491	2
15	Gas Cylinder Hook	2409212	1
16	Wheel	2100530	2
17	Right Side Beam	5206532	1
18	Right Front Leg	5206530	1
19	Axle	2409211	1
20	Tank Blocking Wire	2412158	1
21	Front Panel	5210057	2
22	Hardware Pack	5213556	1
23	Leg End Cap	2411024	2
24	※Match Holder	2411023	1
25	Left Front Leg	5210052	1
26	Left Side Beam	5206939	1
27	Left Back Leg	5210053	1

※ : NO ASSEMBLY REQUIRED

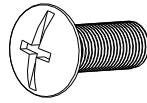
PARTS LIST

PART	DESCRIPTION	PART NO	QTY
28	※Regulator & Hose assembly	5210038	1
29	Control Knob	2403612	4
30	※Knob Bezel	5210382	4
31	※Manifold & Gas Valve Assembly	5213521	1
32	※Control Panel	5213555	1
33	※Bottle Opener	5014838	1
34	Left Side Shelf	5210045	1
35	※Tube Burner Ignition Pin	2413901	4
36	※Tube Burner	2413900	4
37	※R Pin	2307001	4
38	※Tube Burner Support	5207981	4
39	Heat Tent	5210050	4
40	Cooking Grate	2411021	2
41	Warming Rack	2411020	1

※ : NO ASSEMBLY REQUIRED

HARDWARE CONTENTS

AA M6X16 mm Screw



X 20

BB M10 Fasten Nut



X 1

CC M6 Washer



X 2

ASSEMBLY PREPARATION

THIS UNIT IS HEAVY. TWO PEOPLE ARE REQUIRED FOR SAFE ASSEMBLY!

Some parts may contain sharp edges. Wear protective gloves if necessary. Read and follow all safety statements, warnings, assembly instructions and use and care instructions before attempting to assemble and use.

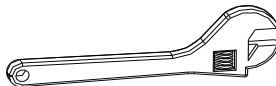
Before beginning assembly of product, make sure all parts are present. Compare parts with package contents list and hardware contents list.

If any part is missing or damaged, **DO NOT** attempt to assemble the product.

NOTE: Some parts come with screws pre-installed. Loosen and tighten for final assembly.

Estimated Assembly Time: 1 hour by two people

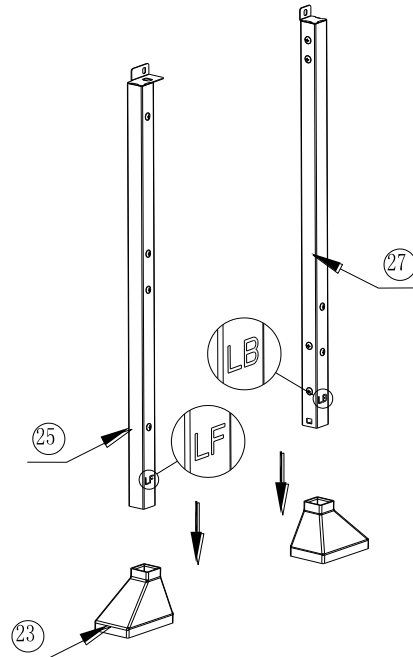
Tools required for assembly (not included): Phillips Head Screwdriver, Wrench, Plier



ASSEMBLY INSTRUCTIONS

IMPORTANT: ASSEMBLE ON FLAT AND SOFT SURFACE TO AVOID SCRATCHING.

1. Put Left Back Leg (27) and Left Front Leg (25) into Leg End Caps (23) as shown.



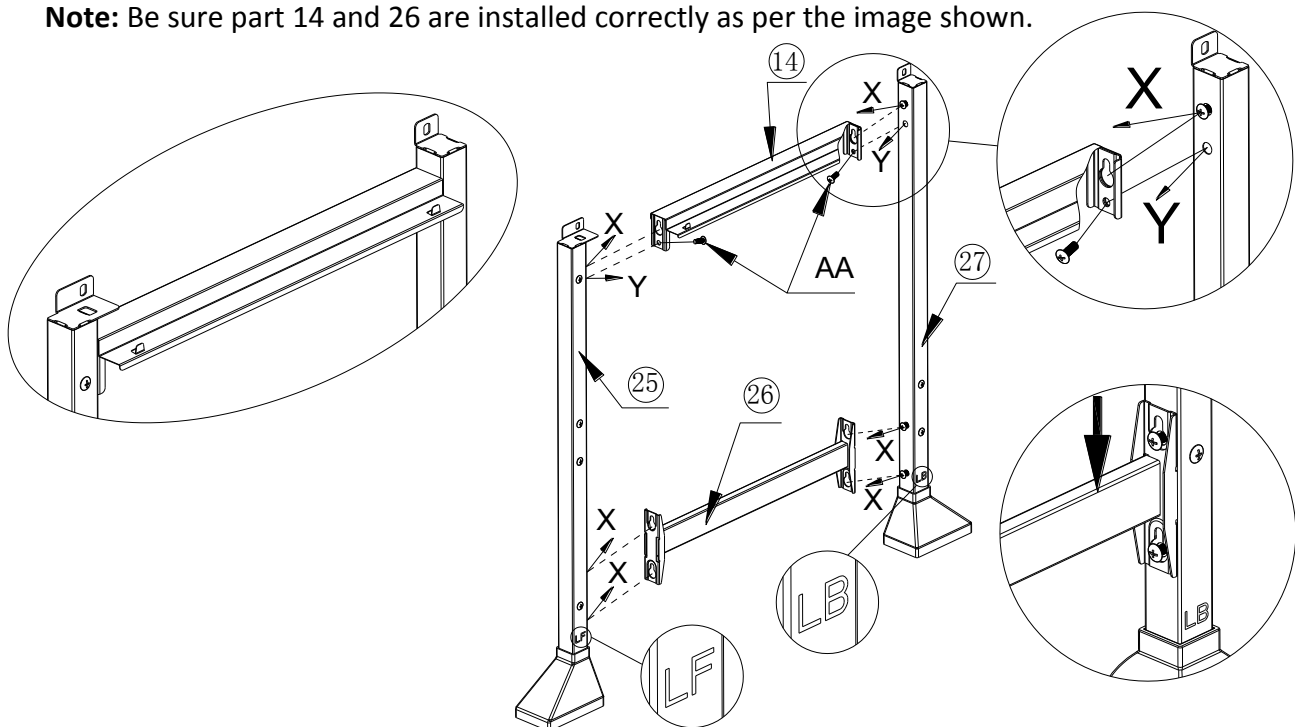
2. Assemble Left Side Cart Frame.

2.1. Loosen 6pcs pre-assembled M6X16mm Screws from "X" position and leave the screw heads protruding approximately 5mm.

2.2. Hang Left Side Beam (26) and Drip Tray Support (14) to Left Front Leg (25) and Left Back Leg (27), then fasten the screws on "X" position.

2.3. Take 2pcs AA Screws from the hardware pack, and fasten the screws on "Y" position.

Note: Be sure part 14 and 26 are installed correctly as per the image shown.



AA M6X16 mm Screw  X 2

ASSEMBLY INSTRUCTIONS

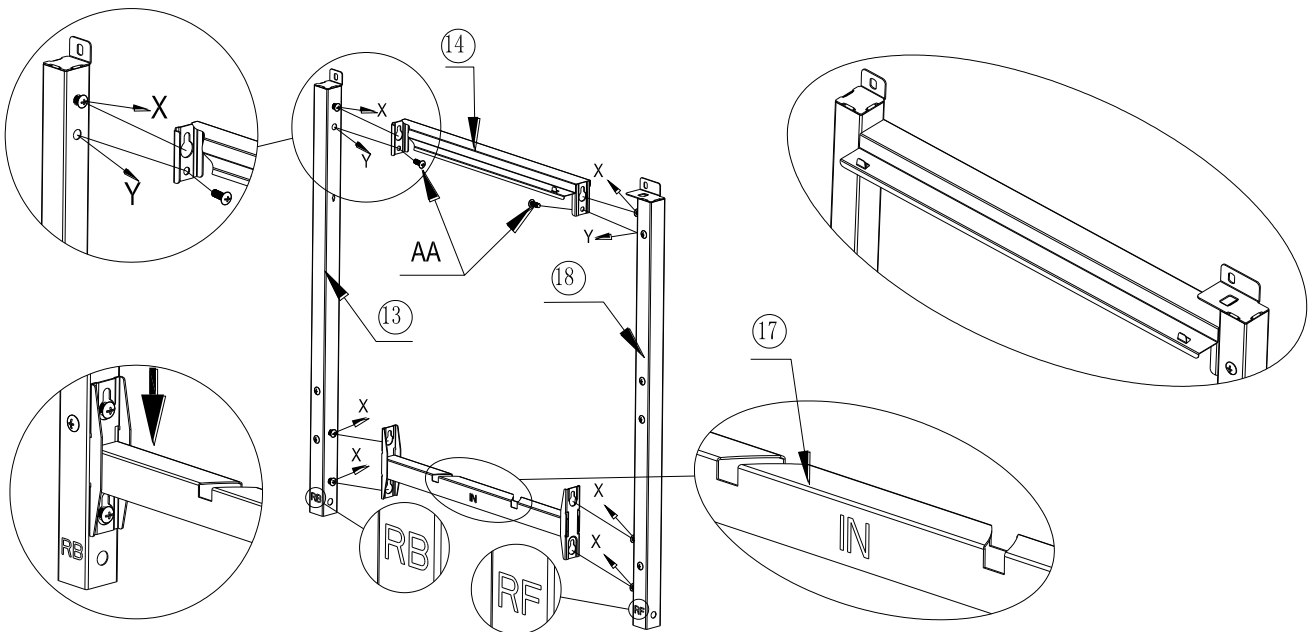
3. Assemble Right Side Cart Frame.

3.1. Loosen 6pcs pre-assembled M6X16mm Screws from "X" position, and leave the screw heads protruding approximately 5mm.

3.2. Hang Right Side Beam (17) and Drip Tray Support (14) to Right Front Leg (18) and Right Back Leg (13), then fasten the screws on "X" position.

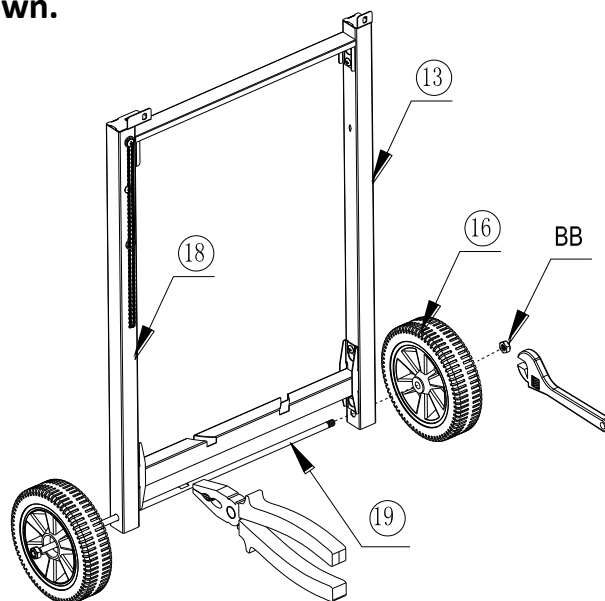
3.3. Take 2pcs AA Screws from the hardware pack, and fasten the screws on "Y" position.

Note: Be sure part 14 and 17 are installed correctly as per the image shown.



AA M6X16 mm Screw  **X 2**

4. Thread Axle (19) through the Wheel (16), Right Front Leg (18), Right Back Leg (13), then fasten BB Nut as shown.



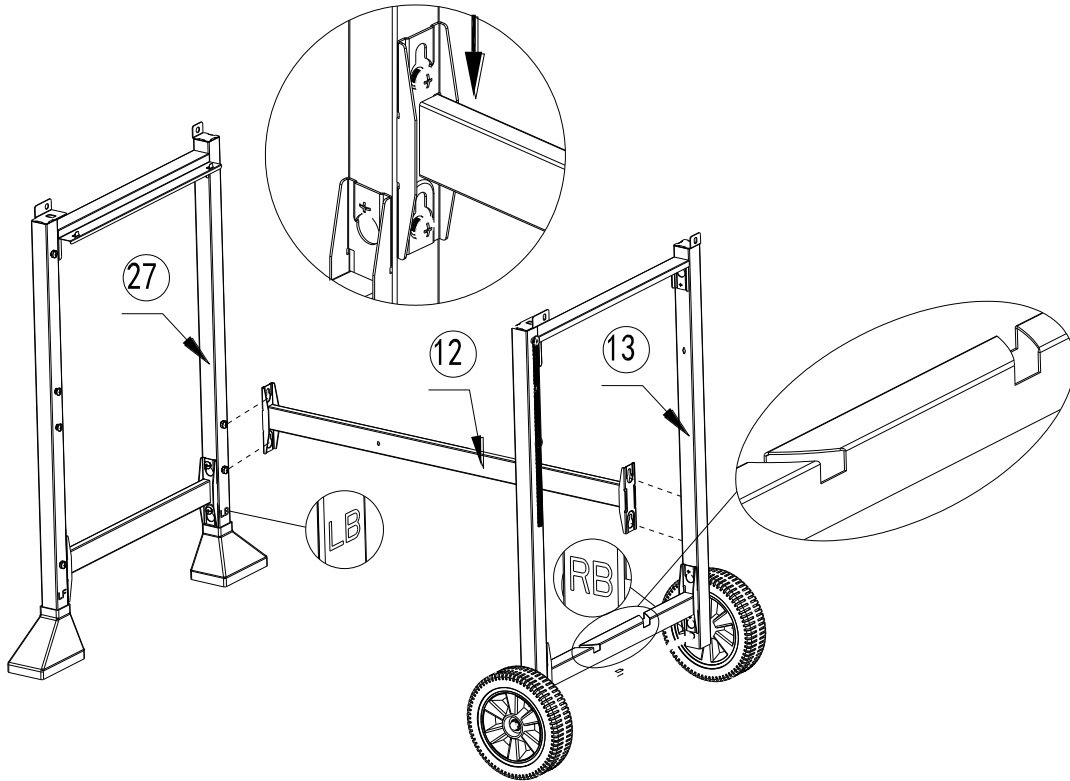
BB M10 Fasten Nut  **X 1**

ASSEMBLY INSTRUCTIONS

5. Attach Rear Beam

5.1. Loosen 4pcs pre-assembled M6X16mm Screws from Left Back Leg (27) and Right Back Leg (13), leave the screw heads protruding approximately 5mm.

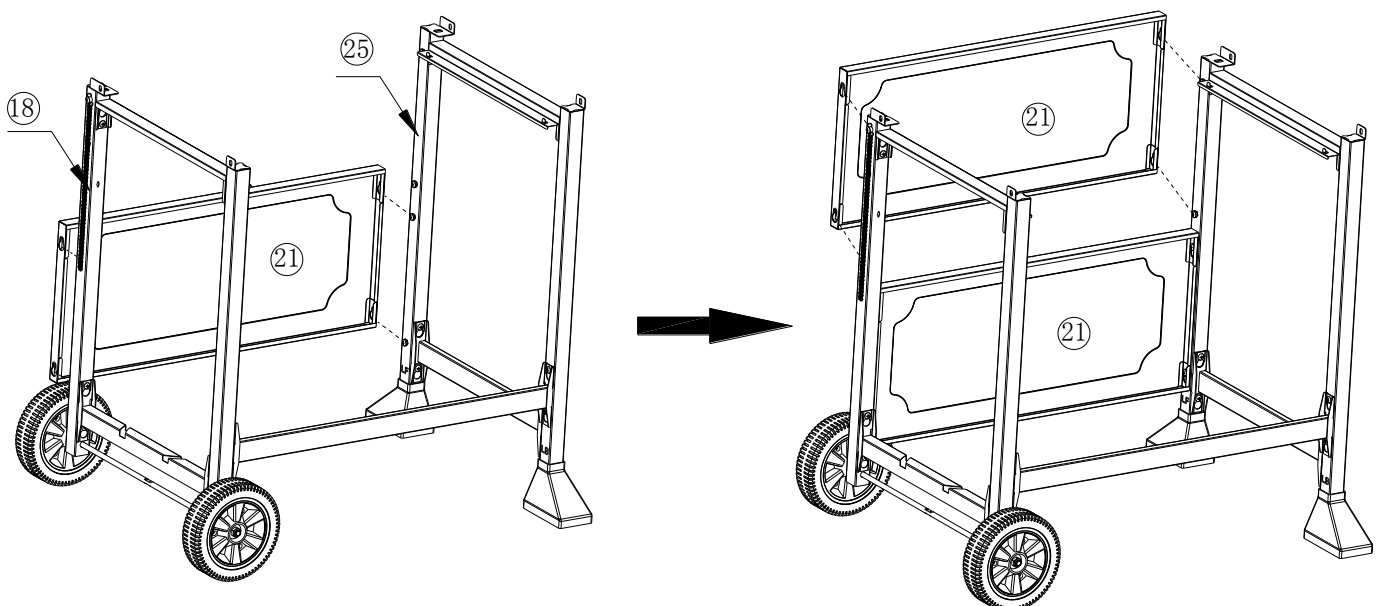
5.2. Hang Rear Beam (12) onto Left & Right Back Leg on the screws and hand tighten only the screws on this point.



6. Assemble the front panel

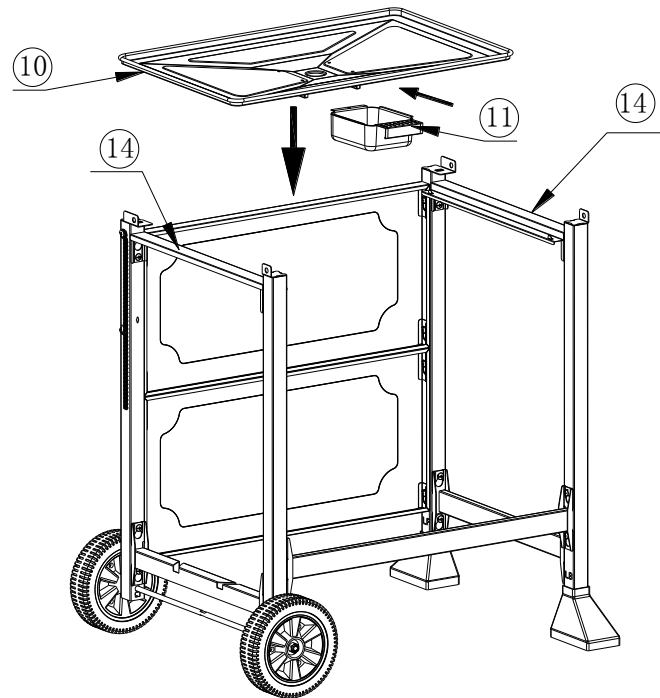
6.1. Loosen 8pcs pre-assembled M6X16mm Screws from Left Front Leg (25) and Right Front Leg (18), leave the screw heads protruding approximately 5mm.

6.2. Attach Front Panels (21) to the cart and fasten the screws as shown. Then fully tighten all the screws of rear beam this time.

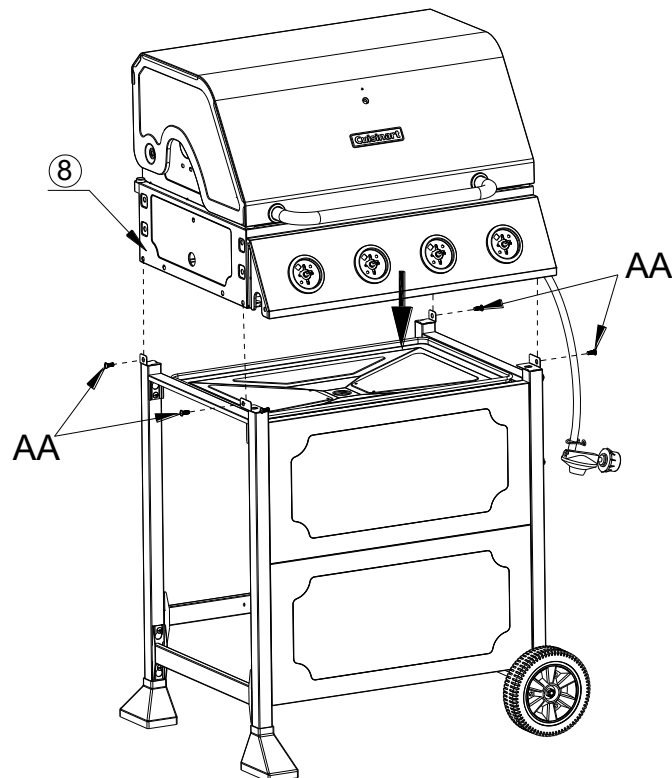


ASSEMBLY INSTRUCTIONS

7. Insert the Drip Tray (10) and Grease Cup (11) into the cart as shown.



8. Require two people to lift and place the Firebox Assembly onto the cart and fasten 4pcs AA Screws as shown.



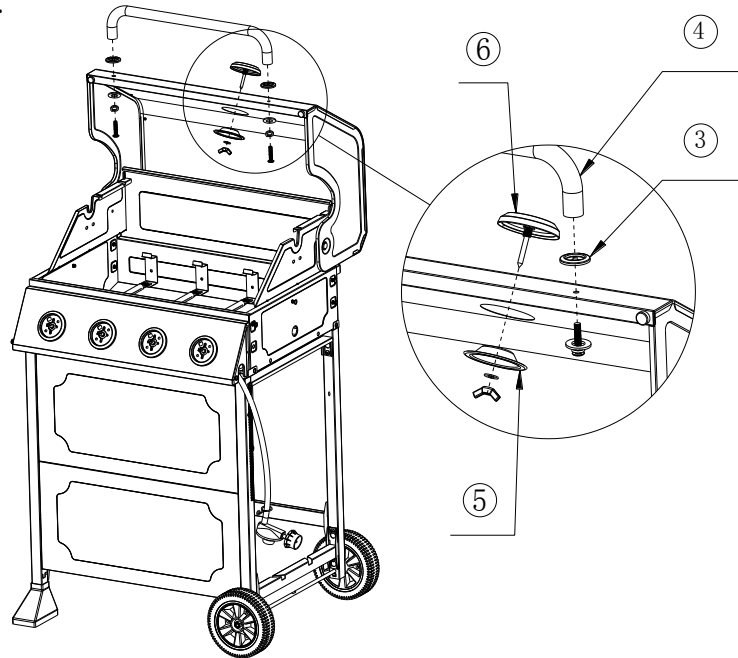
AA M6X16 mm Screw  X 4

ASSEMBLY INSTRUCTIONS

9. Assemble Lid Handle and Temperature Gauge

9.1. Attach Lid Handle (4) together with Lid Handle Bezels (3) onto Lid Assembly and fasten the screws.

9.2. Attach Temperature Gauge (6) together with Temperature Gauge Bezel (5) onto Lid Assembly and fasten the screws.

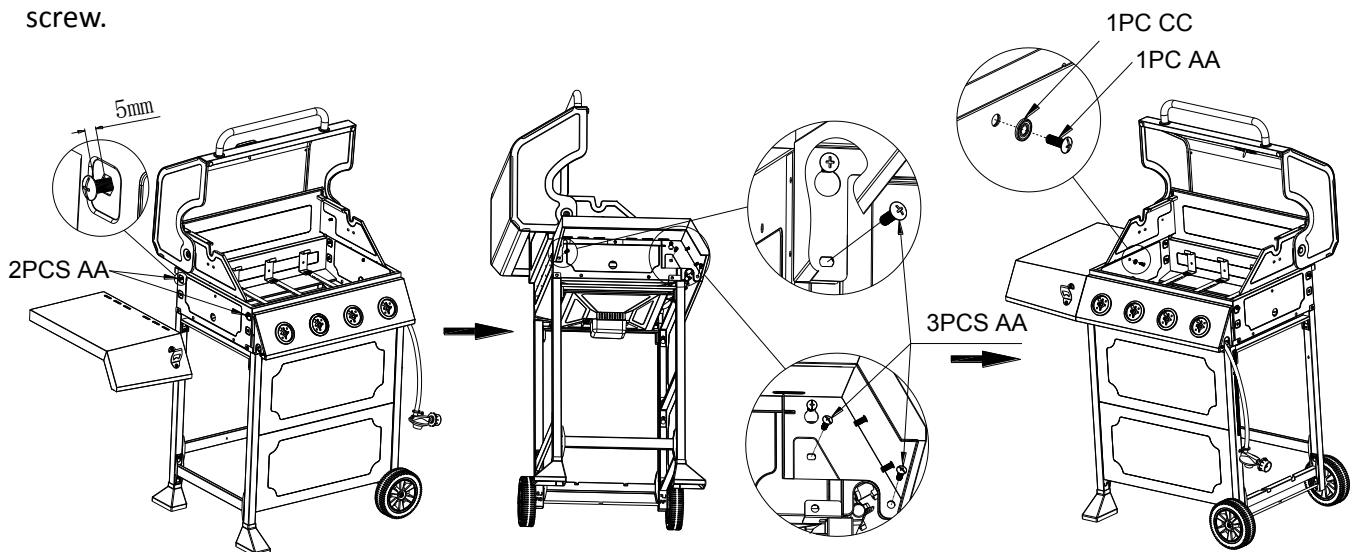


10. Attach Left Side Shelf onto firebox.

10.1. Attach 2pcs AA Screws into the upper two holes on left side of firebox. Leave the screw heads protruding approximately 5mm.

10.2. Hang Left Side Shelf onto the screws, attach another 3pcs AA Screws into the lower three holes and fully tighten all 5pcs screws to secure left side shelf to the grill.

10.3. Attach 1pc AA Screw and 1pc CC M6 Washer into the hole on left side of firebox and fasten the screw.



AA M6X16 mm Screw



X 6

CC M6 Washer



X 1