

This Owner's Manual is provided and hosted by [Appliance Factory Parts](#).



# DCS BFGC-30G-N Owner's Manual

[Shop genuine replacement parts for DCS BFGC-30G-N](#)



[Find Your DCS Grill Parts - Select From 274 Models](#)

----- Manual continues below -----



Liberty All Grill  
BFGC-30G-N DCS US CA

*Product Code: 71125-A*

## **Parts Manual**

**US CA**

Brand:	DCS by Fisher & Paykel
Voltage:	9V Battery
Model:	BFGC-30G-N DCS US CA
Product Code:	71125-A

## Models

- The model covered by this manual is listed on the front cover.
- The information detailed in this manual is subject to change without notice. The latest version is indicated by the reprint date and replaces any earlier editions.

## Kit Parts

Kit components are shown in *italics*. Where a part number is shown against the descriptions for these kit components, they are also available as separate items. In addition, some parts may be supplied with these kits that are not available as separate items, and are therefore either not listed, or a part number is not shown against the part description in this manual.

## Parts List Key

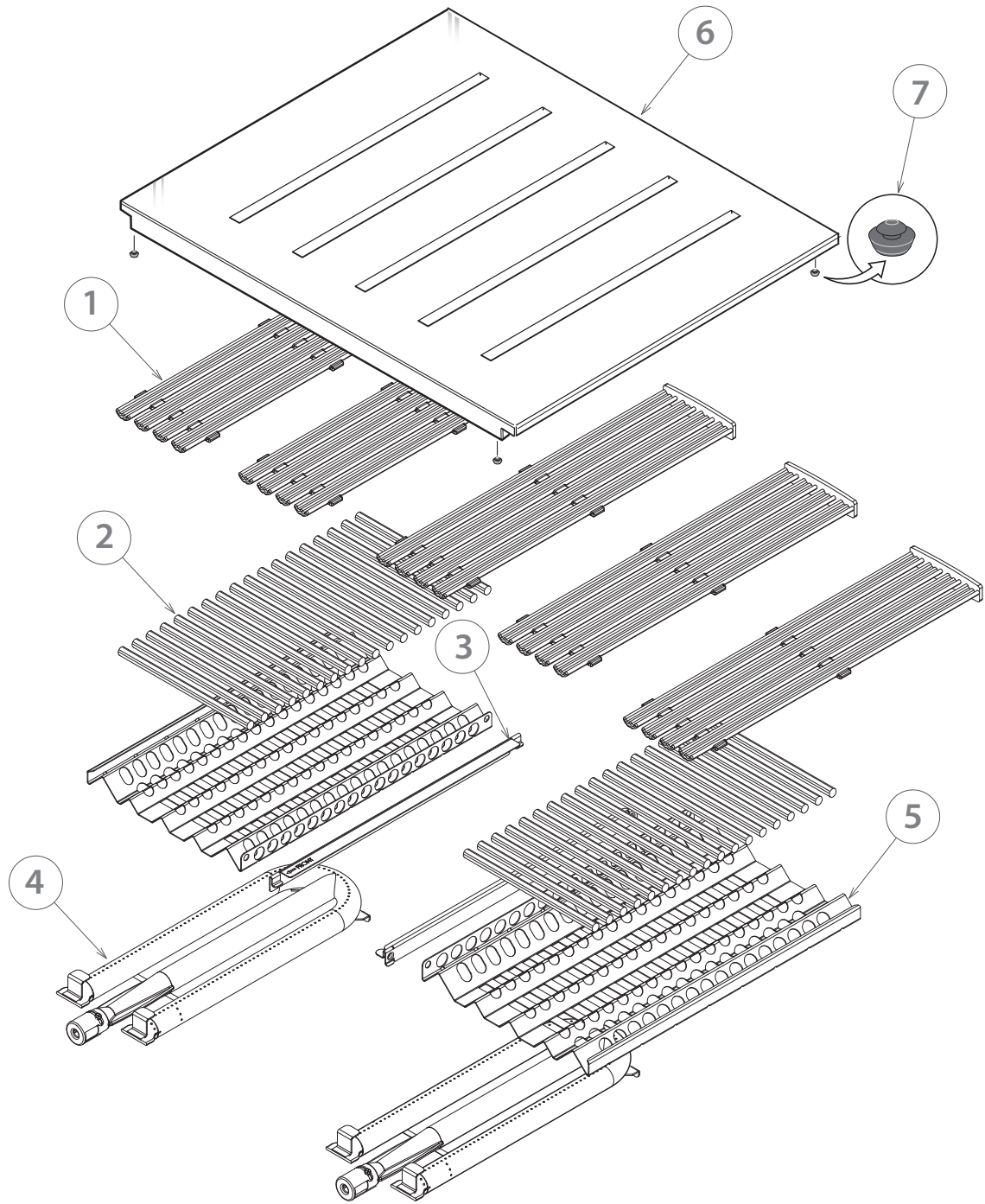
<i>italics</i>	Kit components or parts included are shown in italics. Refer to above notes: Kit Parts.
NS	As a part reference, indicates the part is not serviceable.
NI	As a part reference, indicates the part is not illustrated on the diagram.
NOT USED	As a part number, indicates the diagram part reference is not used in this manual.

GRILL BURNER COMPONENTS	3
VALVE PANEL COMPONENTS	5
MANIFOLD COMPONENTS	7
FIREBOX COMPONENTS	9
STRUCTURE COMPONENTS	11

Fisher & Paykel Appliances Inc.  
DCS Customer Care  
695 Town Center Drive, Suite 180  
Costa Mesa,  
CA 92626-1902  
USA

Customer Care: 1-888-936-7872  
Fax: (714) 372-7003  
email: [customer.care@fisherpaykel.com](mailto:customer.care@fisherpaykel.com)  
[www.dcsappliances.com](http://www.dcsappliances.com)

3 GRILL BURNER COMPONENTS

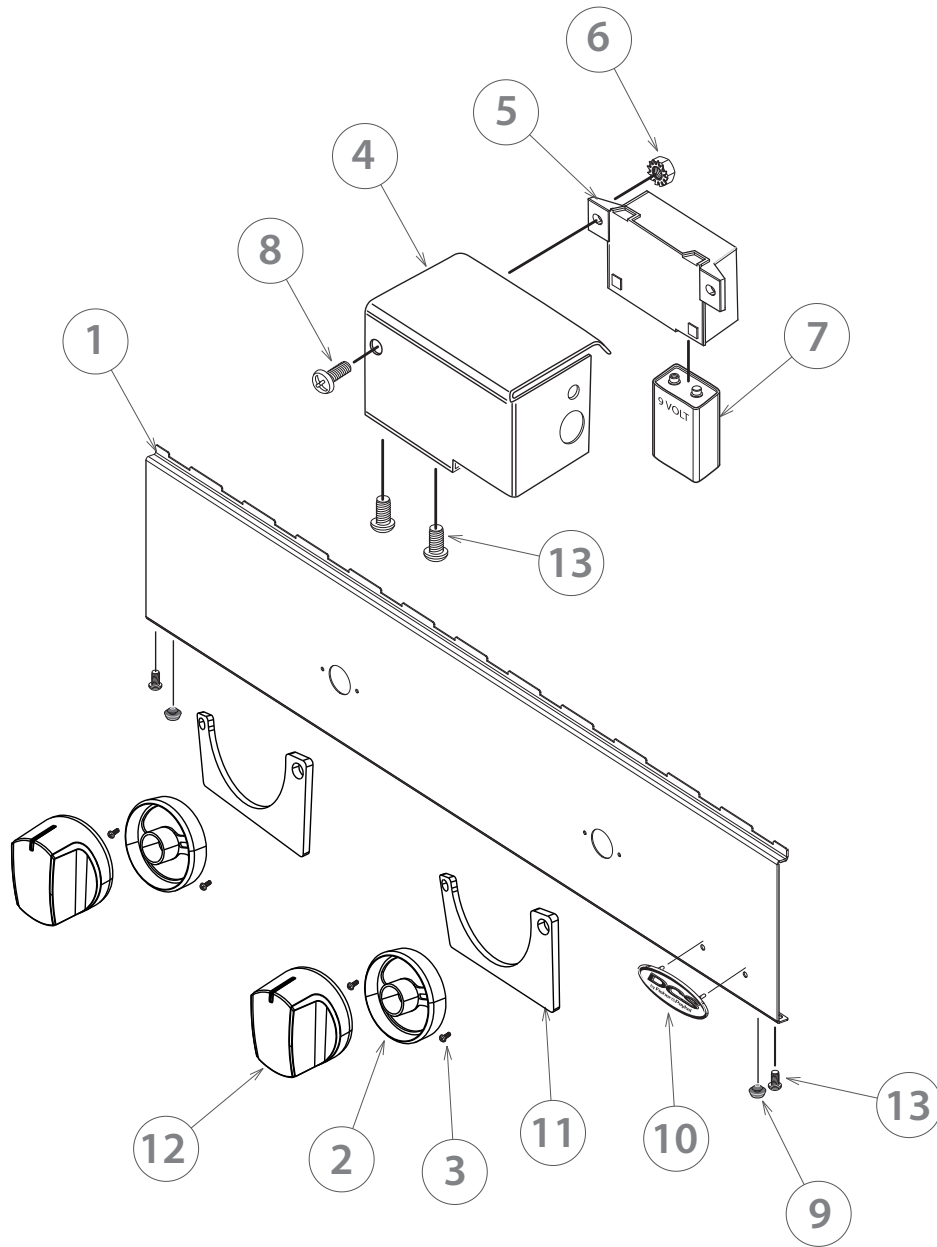


# GRILL BURNER COMPONENTS

REF.	PART NUMBER	PART DESCRIPTION
<b>1</b>	<b>212341</b>	<b>GRATE BGA GRILLS</b>
<b>2</b>	<b>214006P</b>	<b>CERAMIC ROD 9.50 (PKD)</b>
<b>3</b>	<b>214420</b>	<b>LOCK RADIANT BGB30</b>
<b>4</b>	<b>240031</b>	<b>U-BURNER, OUTDOOR COOKTOP</b>
<b>5</b>	<b>214419</b>	<b>HOUSING RADIANT BGB30</b>
<b>6</b>	<b>240202</b>	<b>COVER ASSY BFG-30G</b>
<b>7</b>	<b>212359</b>	<b>RUBBER BUMPER</b>
<b>NI</b>	<b>590850</b>	<b>BOOKSET LIBERTY GRILL DCS USCA</b>
	<i>Includes</i>	<i>BK USR/INSTL LIB'TY GRL DCS US</i>
	<i>Includes</i>	<i>BK SERVICE &amp; WARRANTY DCS USCA</i>

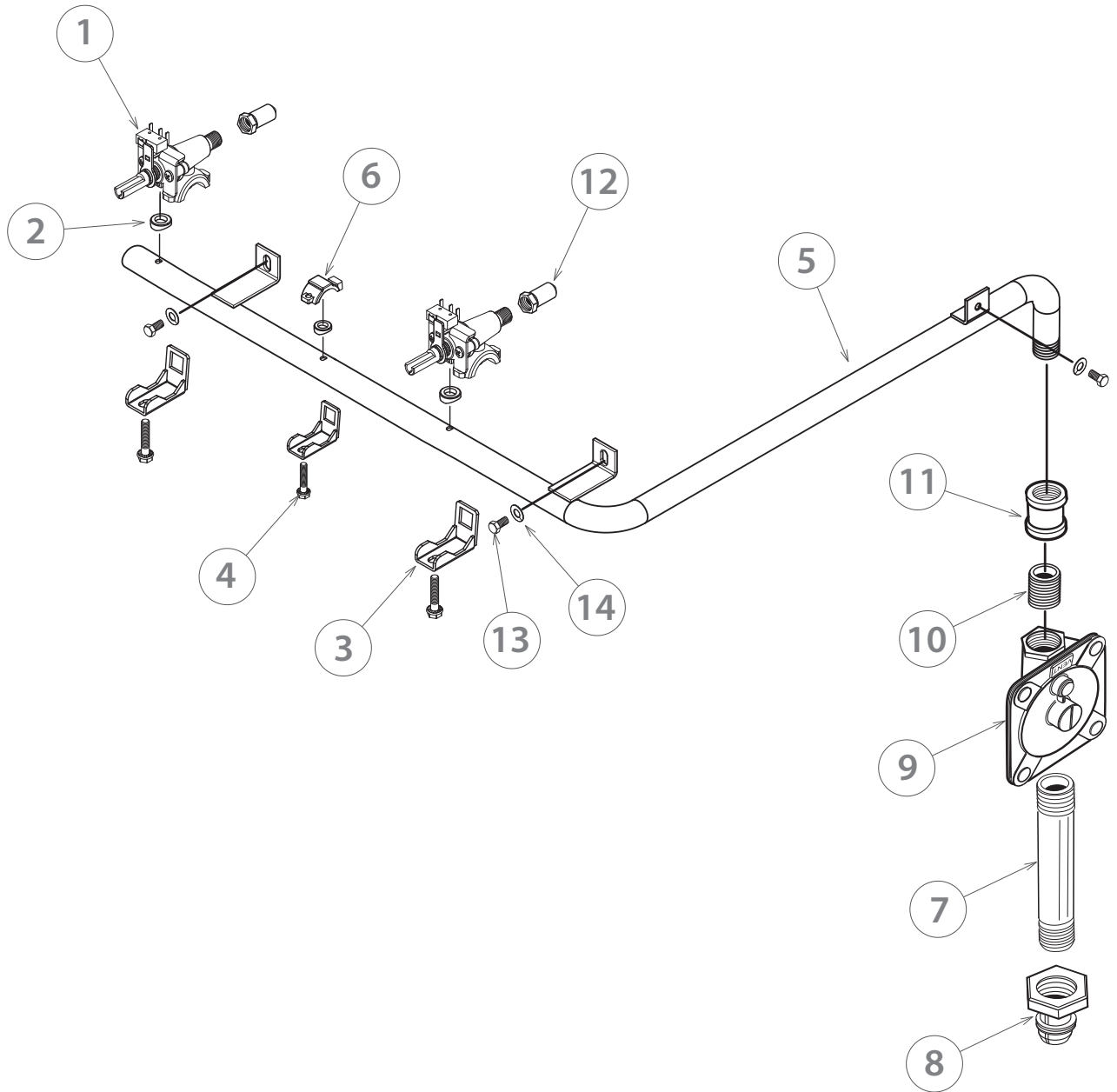


5 VALVE PANEL COMPONENTS



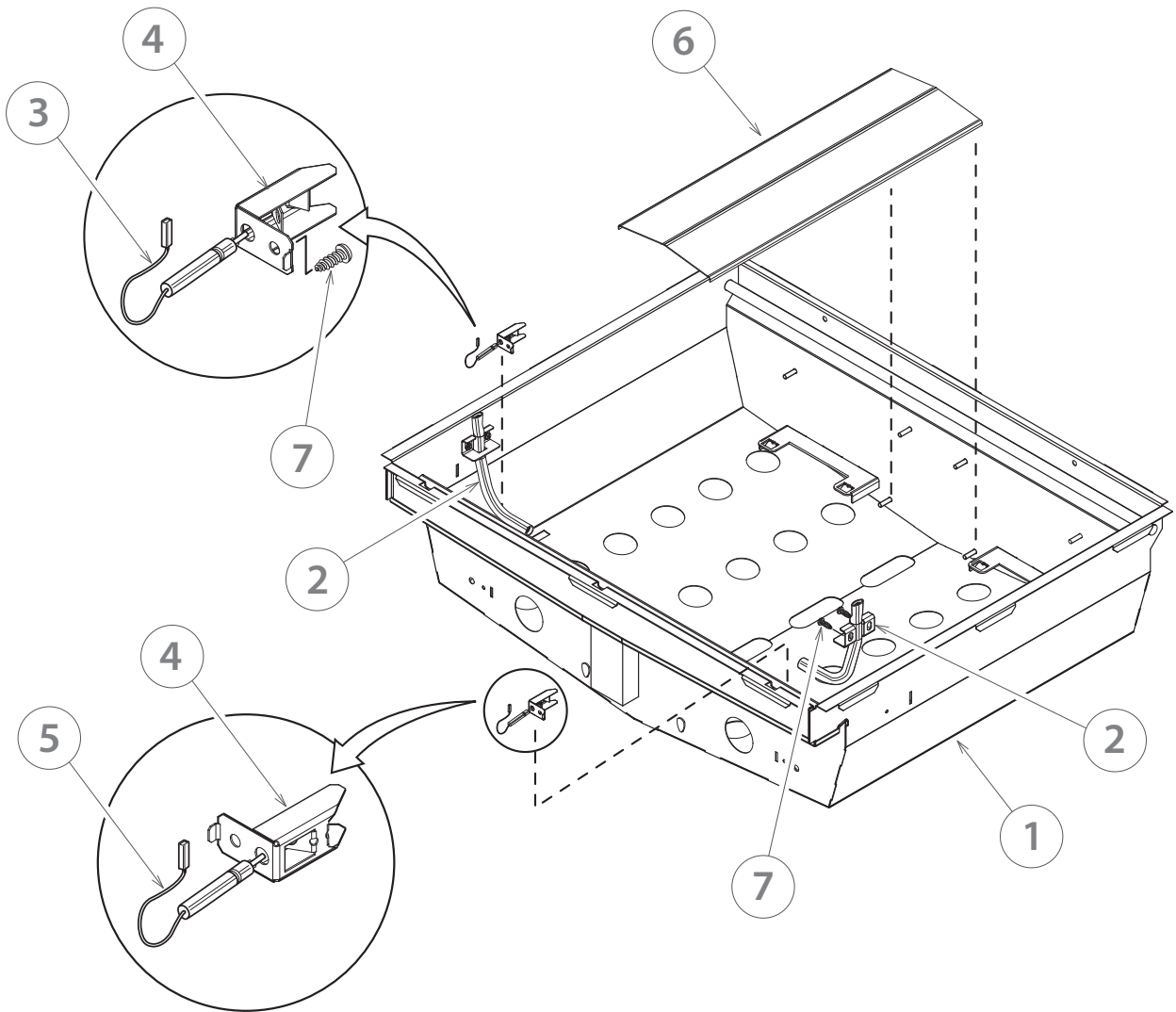
REF.	PART NUMBER	PART DESCRIPTION
1	251035	VALVE PANEL BFGC-30G
2	250745	BEZEL GRILL DCS
3	211248P	SM 6-32X3/8 PH PAN TY F SS (10PK)
4	250851	HOUSING IGNITION MODULE W/A
5	212333	BATTERY IGN MODULE 9V ELTEC 4
6	211480P	NUT 8-32 KEPS SS (10 PK)
7	212337	BATTERY ALKALINE 9V
8	211295P	MS 8-32X1/2 PH TR HD SS (10PK)
9	212359	RUBBER BUMPER
10	237566	BADGE, 3.3"
11	250789	PLATE BEZEL SUPPORT BGC
12	250777	DIAL GRILL DCS ASSY
13	211242P	MS 10-24X1/2 PH PN TY F SS (10 PK)

7 MANIFOLD COMPONENTS



REF.	PART NUMBER	PART DESCRIPTION
1	240184	VALVE SADDLE MAIN, OUTDOOR
2	240379	SEAL, SADDLE VALVE
3	240378	CLAMP, SADDLE VALVE
4	240380	MS M5 X 25, HEX PH WSHR
5	240041	MANIFOLD BFG
6	240294	PLUG, SADDLED
7	212186	BLACK NIPPLE 1/2 X 5
8	212155P	1/2 NPT X 3/8 FLARE (PKD)
9	210765P	REGULATOR- 4.0 WC (PKD)
10	221769	1/2 NPT X 2.00 NIPPLE BLK
11	212138P	COUPLING 1/2 NPT BLACK (PKD)
12	220576	JET SPUD LG 2.44MM (41DMS)
13	211323P	HEX BLT 1/4-20 X 1/2 FULL TH SS (10 PK)
14	211368P	WASHER FLT SS .313 X .750 (10 PK)

9 FIREBOX COMPONENTS



REF.	PART NUMBER	PART DESCRIPTION
<b>1</b>	<b>240054</b>	<b>FIREBOX ASSY, BFG-30</b>
<b>2</b>	<b>240375</b>	<b>FLASH TUBE W/A, BFG-30G</b>
<b>3</b>	<b>211717</b>	<b>ELECTRODE BURNER 14.5 LONG</b>
<b>4</b>	<b>240187</b>	<b>COLLECTOR BOX</b>
<b>5</b>	<b>211718</b>	<b>ELECTRODE BURNER 29 LONG</b>
<b>6</b>	<b>240201</b>	<b>HEAT SHIELD, BFG-30G</b>
<b>7</b>	<b>211242P</b>	<b>MS 10-24X PH PN TY F SS (10 PK)</b>
<b>NI</b>	<b>239315</b>	<b>FIREBOX REPLACEMENT PIN</b>





REF.	PART NUMBER	PART DESCRIPTION
1	211090	RACK ROLLER, VERTICAL
2	224769	ANGLE, GRILL SUPPORT
3	211242P	MS 10-24X PH PN TY F SS (10 PK)
4	240011	FRONT BAFFLE, BFG-30G
5	240059	SIDE OUTER W/A, LH
6	240010	BOTTOM BACK, BFG-30
7	240521	DRIP PAN, BFG30-GL / GD
8	251105	HANDLE, DRIP PAN, BFG30 G PTD
9	237354	MS 10-24 X 3/8 PH TR HD SS (10 PK)
10	211373P	WASHER FLT SS #10 .43 OD (10 PK)
11	218150	NUT HEX 10-24 KEPS SS (10 PK)
12	240509	SHIELD, HEAT, VALVE SWITCH-BF
13	240006	LANDING LEDGE W/A, BFG-30G
14	240060	SIDE OUTER W/A, RH
15	240208P	HEX BOLT ¼ - 20 X 3/8 SS (10 PK)
16	250184	MS 10-24 X 1 PH FLT 100 316SS
17	211408P	NUT W/RET 1/4-20 BLK (10PK)
NI	240203	HARNESS BFG-30G



[www.fisherpaykel.com](http://www.fisherpaykel.com)  
[www.dcsappliances.com](http://www.dcsappliances.com)



Copyright © Fisher & Paykel 2015 All rights reserved.  
The product specifications in this manual apply to the specific model described at the date of issue. Under our policy of continuous product improvement, these specifications may change at any time. Only use this manual if the product code on the front matches the product code on the serial label of the product.