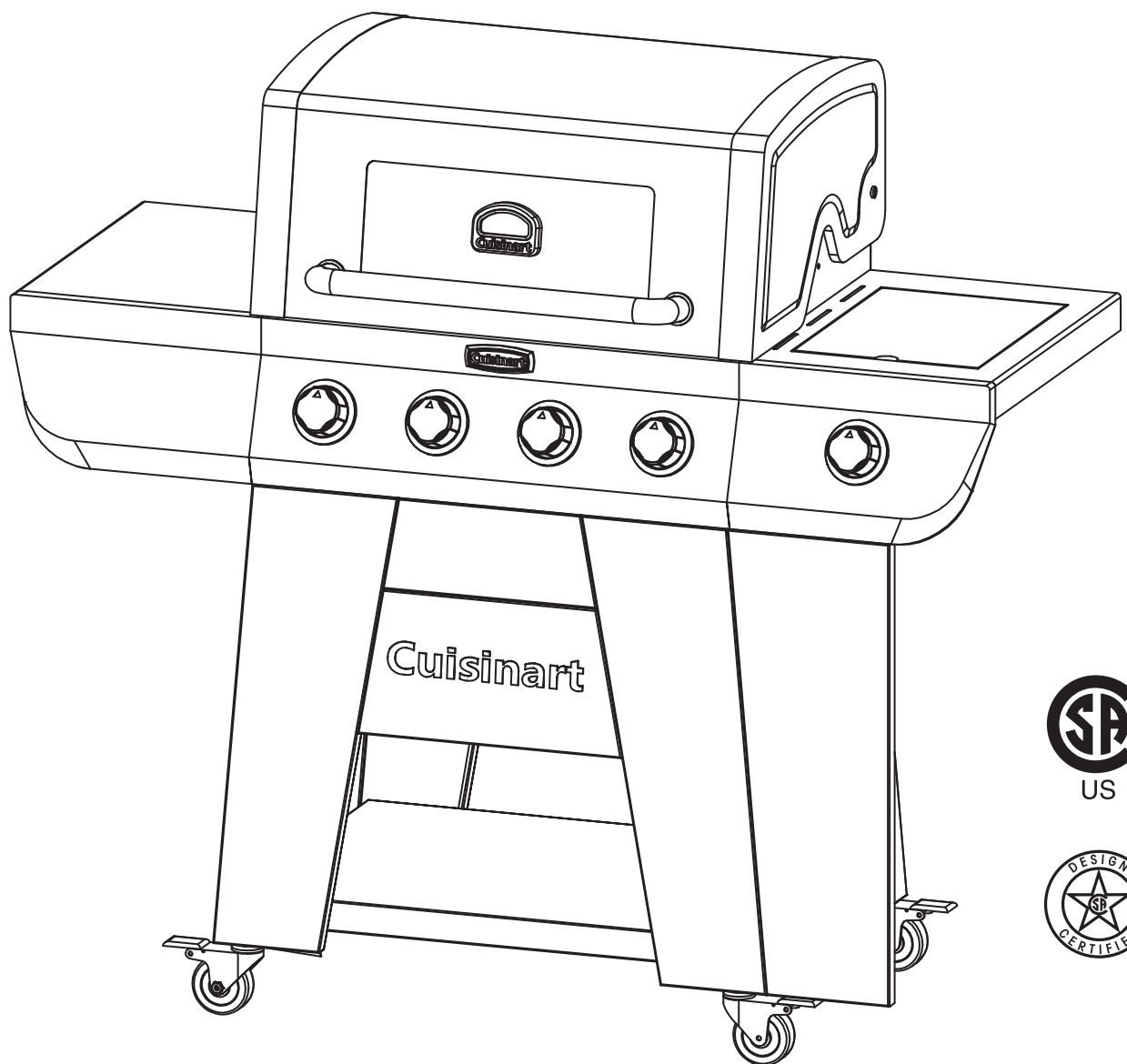


Cuisinart®

Deluxe Four Burner Gas Grill

ASSEMBLY INSTRUCTIONS

Model GAS9456AS / GAS9456ASO



ASSEMBLY INSTRUCTIONS:

⚠ READ ALL SAFETY WARNINGS & ASSEMBLY INSTRUCTIONS CAREFULLY BEFORE ASSEMBLING OR OPERATING YOUR GRILL.

WE RECOMMEND TWO PEOPLE WORK TOGETHER WHEN ASSEMBLING THIS UNIT.

The following tools are required to assemble this Cuisinart 4 Burner Gas Grill:

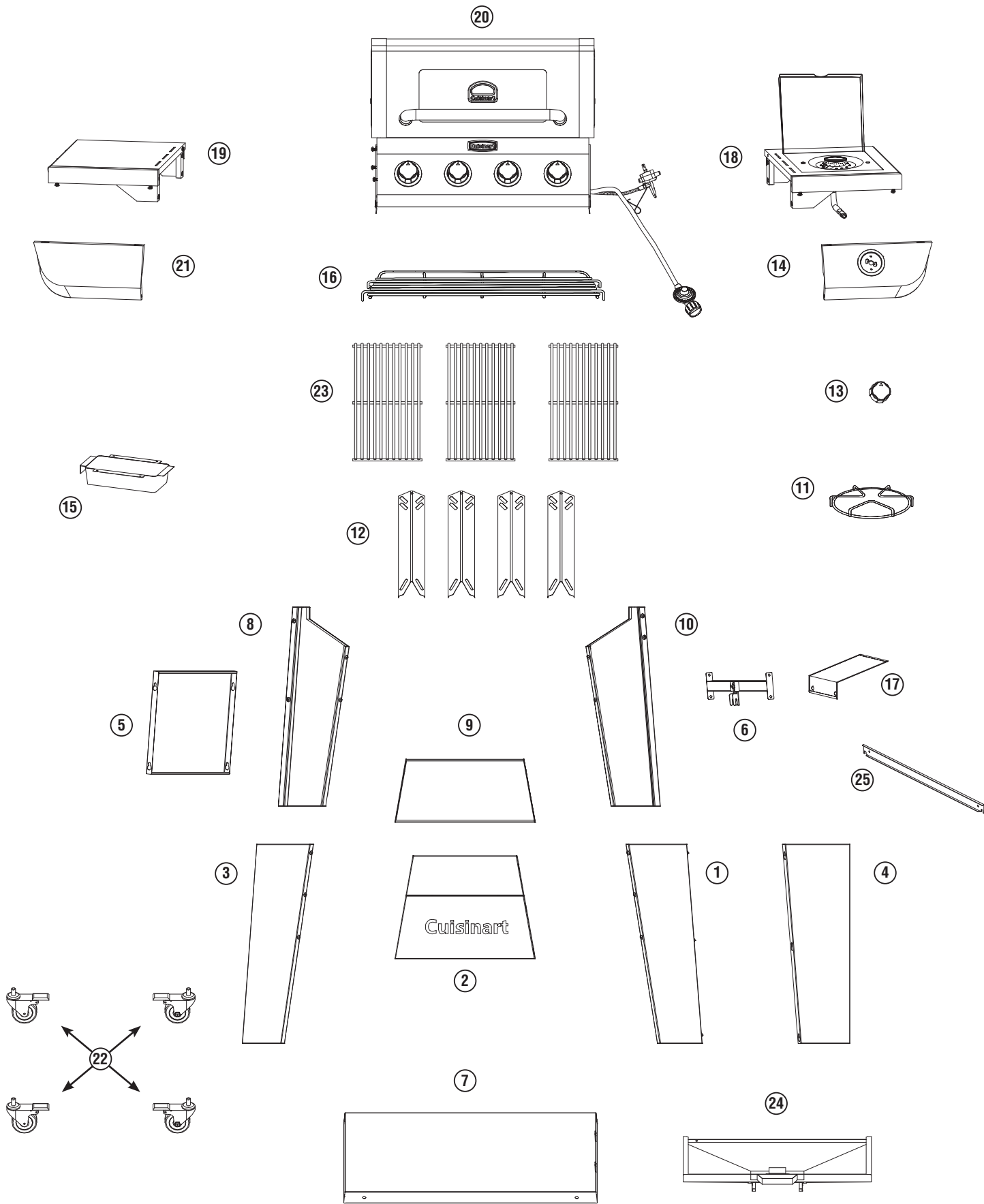
- **Phillips Screwdriver**

PARTS LIST:

①	1	Front Right Leg	⑮	1	Grease Cup
②	1	Front Panel	⑯	1	Warming Rack
③	1	Front Left Leg	⑰	1	Heat Shield
④	1	Side Panel	⑱	1	Right Side Table
⑤	1	Left Side Panel	⑲	1	Left Side Table
⑥	1	Cart Brace	⑳	1	Grill Body
⑦	1	Cart Base	㉑	1	Left Side Control Panel
⑧	1	Left Rear Leg	㉒	4	Casters
⑨	1	Back Panel	㉓	3	Cooking Grates
⑩	1	Right Rear Leg	㉔	1	Grease Tray
⑪	1	Side Burner Grate	㉕	1	Bar
⑫	4	Heat Tents			
⑬	1	Side Burner Knob			
⑭	1	Right Side Control Panel			

Note: Most hardware is pre-attached to the grill. You may need to loosen some screws partially while others may need to be removed in order to assemble parts. The screws that you remove will be re-used so don't misplace this hardware.

Extra screws are included in a small bag with the owners manual.

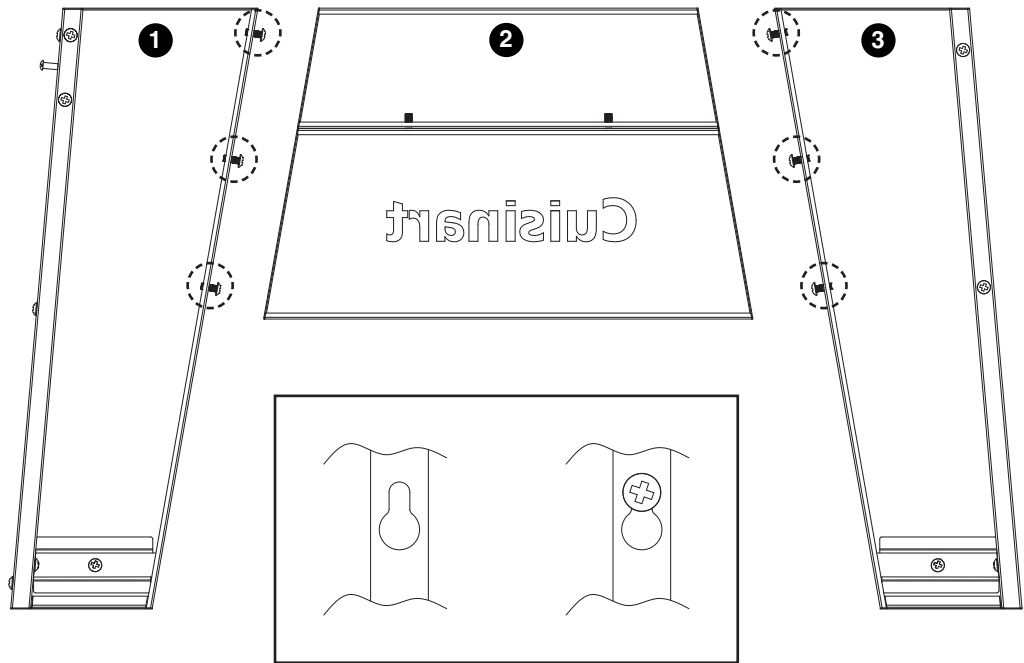


FRONT PANEL



Step 1

- Loosen 6 screws
3-4 turns
- Do not remove
screws
- Attach **FRONT
PANEL 2** using
keyholes
- Tighten 6 screws

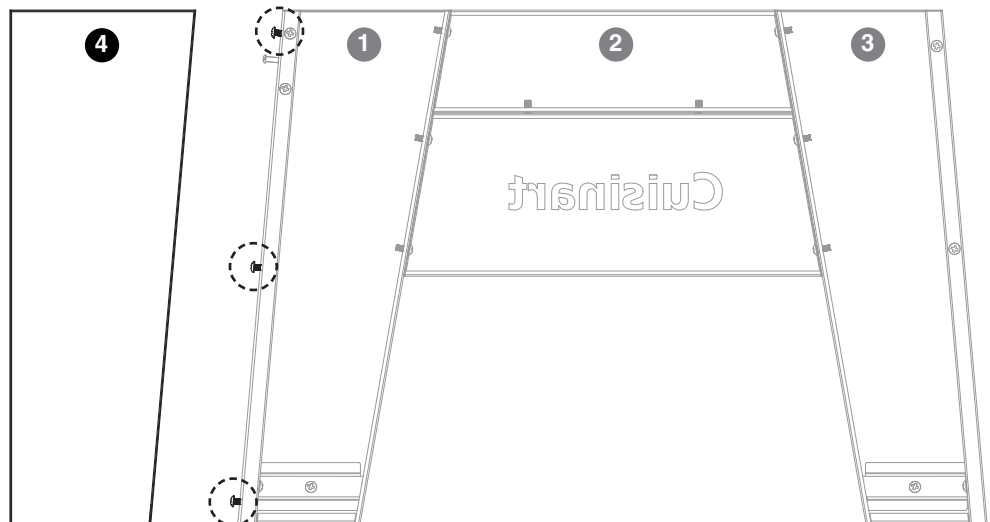


NOTE: Before tightening keyhole screws, make sure panels are aligned.

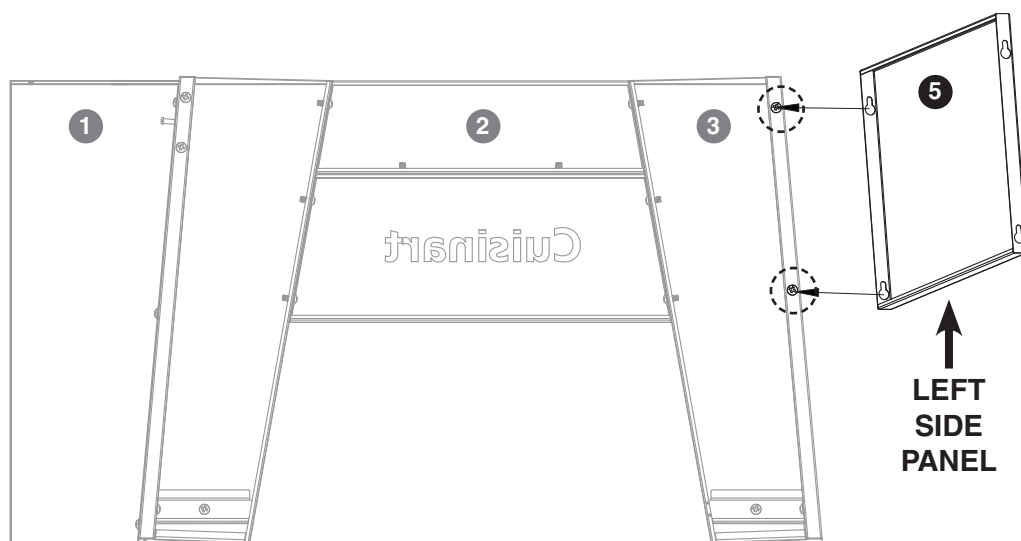
Step 2

- Loosen 3 screws
- Attach **SIDE
PANEL 4**
- Tighten 3 screws
on **SIDE PANEL 4**

SIDE PANEL

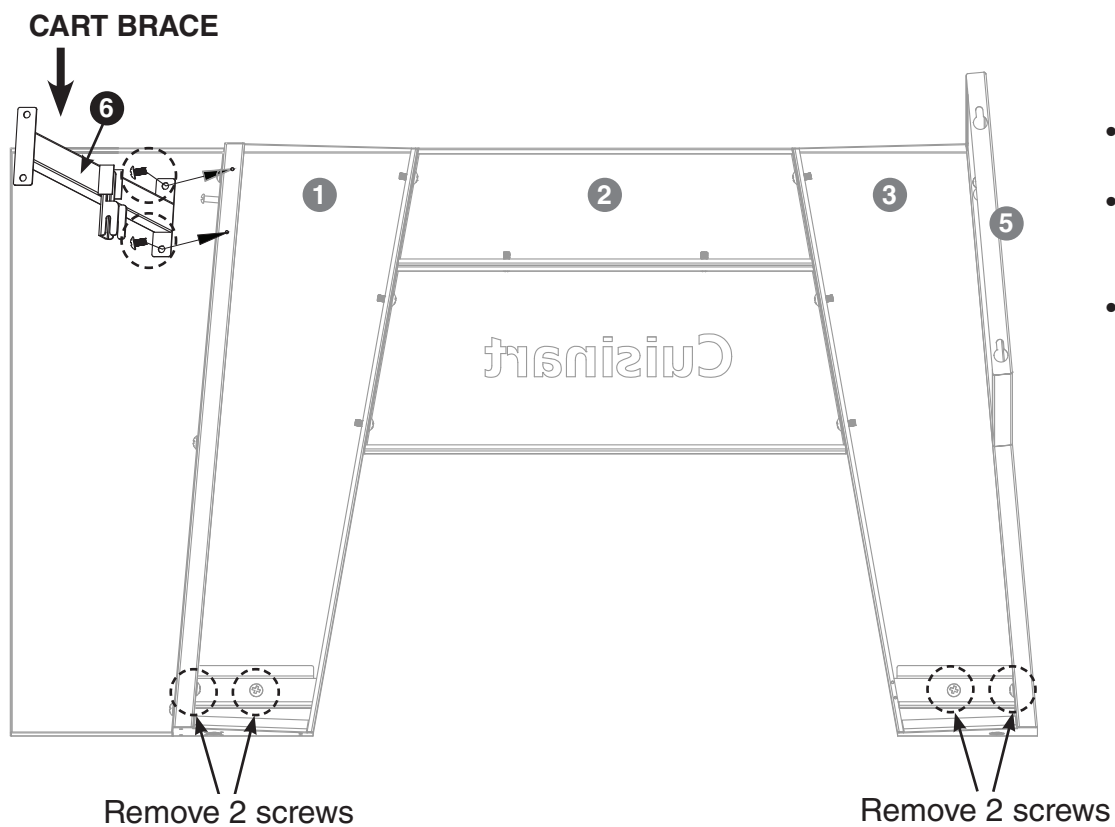


Step 3



- Loosen 2 screws
- Attach **LEFT SIDE PANEL 5**
- Tighten 2 screws on **LEFT SIDE PANEL 5**

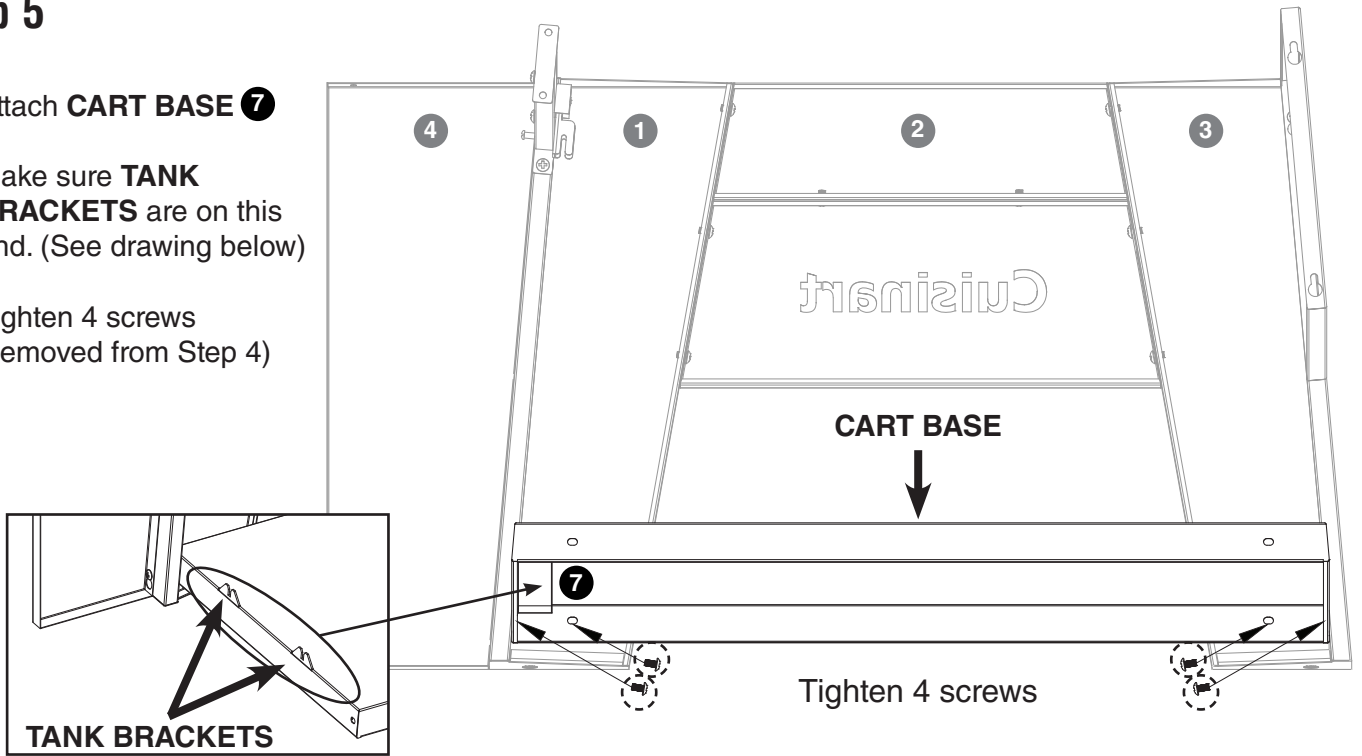
Step 4



- Remove 6 screws.
- Attach **CART BRACE. 6**
- Tighten two screws on **CART BRACE. 6**

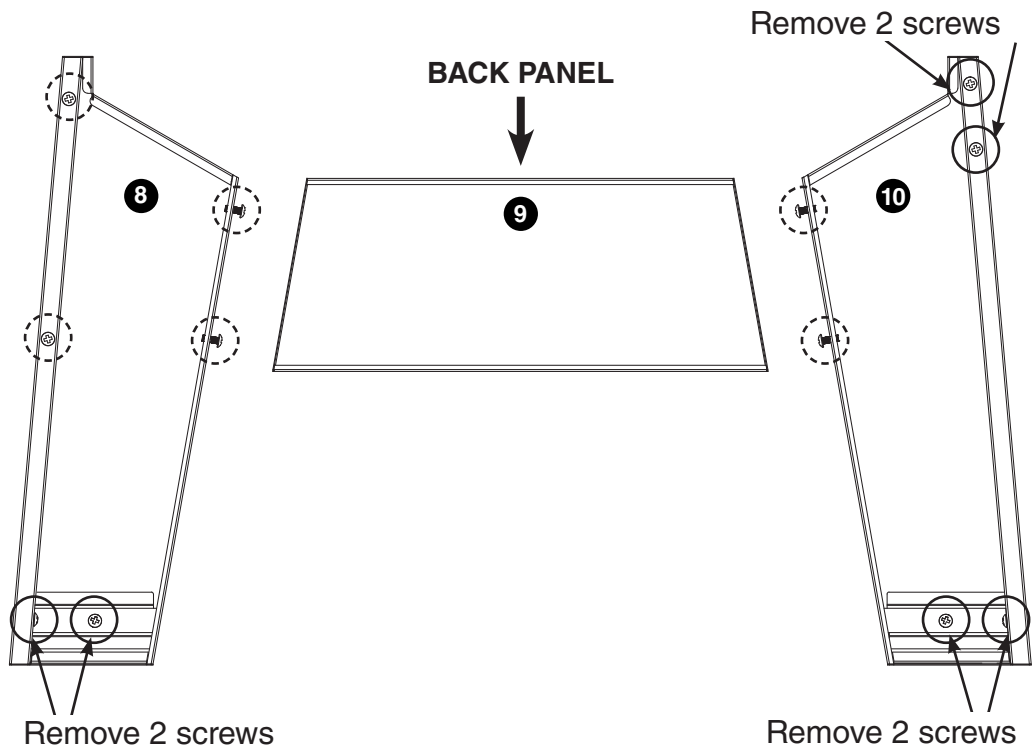
Step 5

- Attach **CART BASE** 7
- Make sure **TANK BRACKETS** are on this end. (See drawing below)
- Tighten 4 screws (Removed from Step 4)

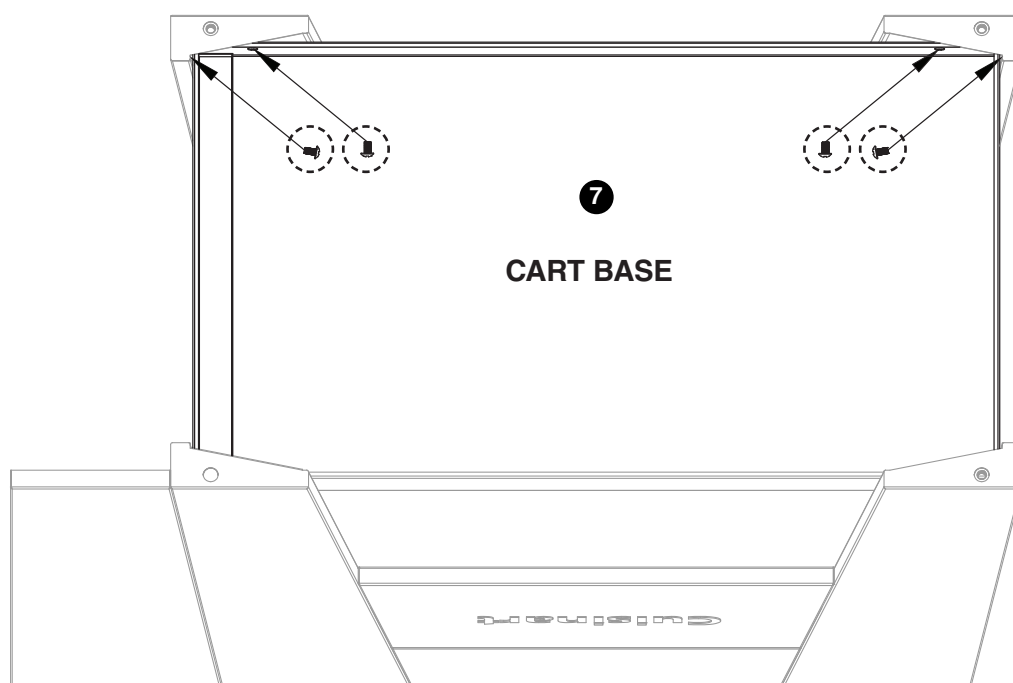


Step 6

- Loosen 6 screws
- Attach **BACK PANEL** 9
- Tighten 4 screws
- Remove 6 screws

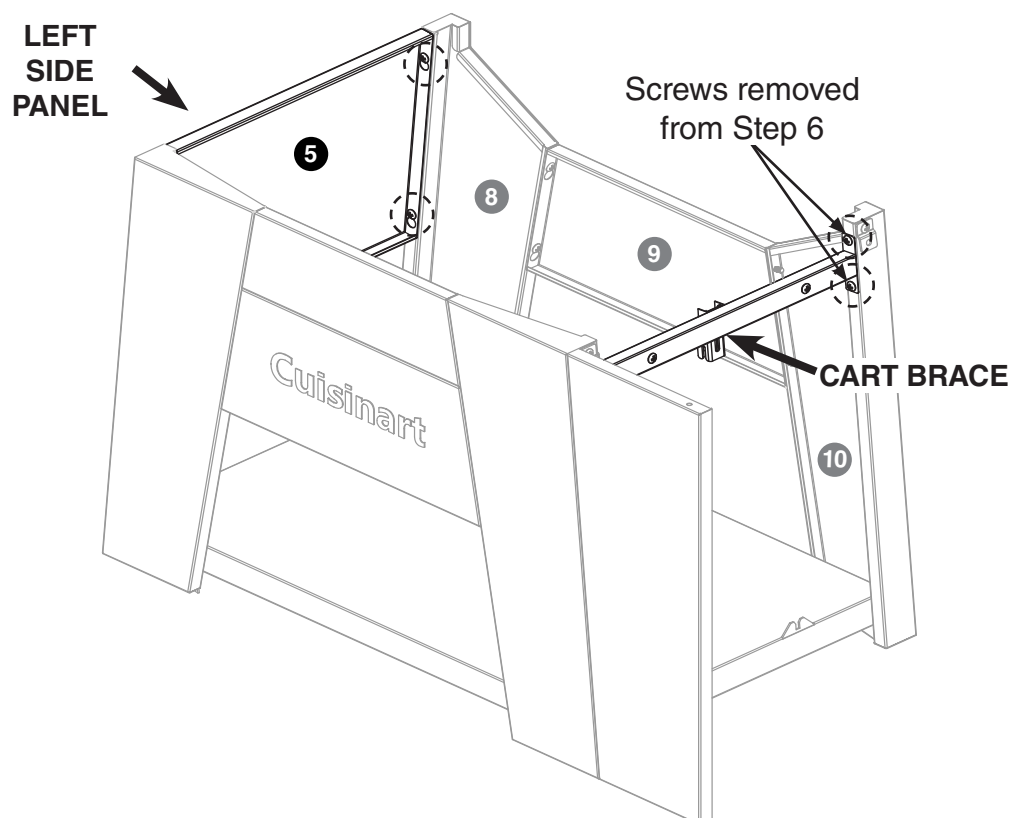


Step 7



- Attach **CART BASE 7** to back legs
- Tighten 4 screws (Removed from Step 6)

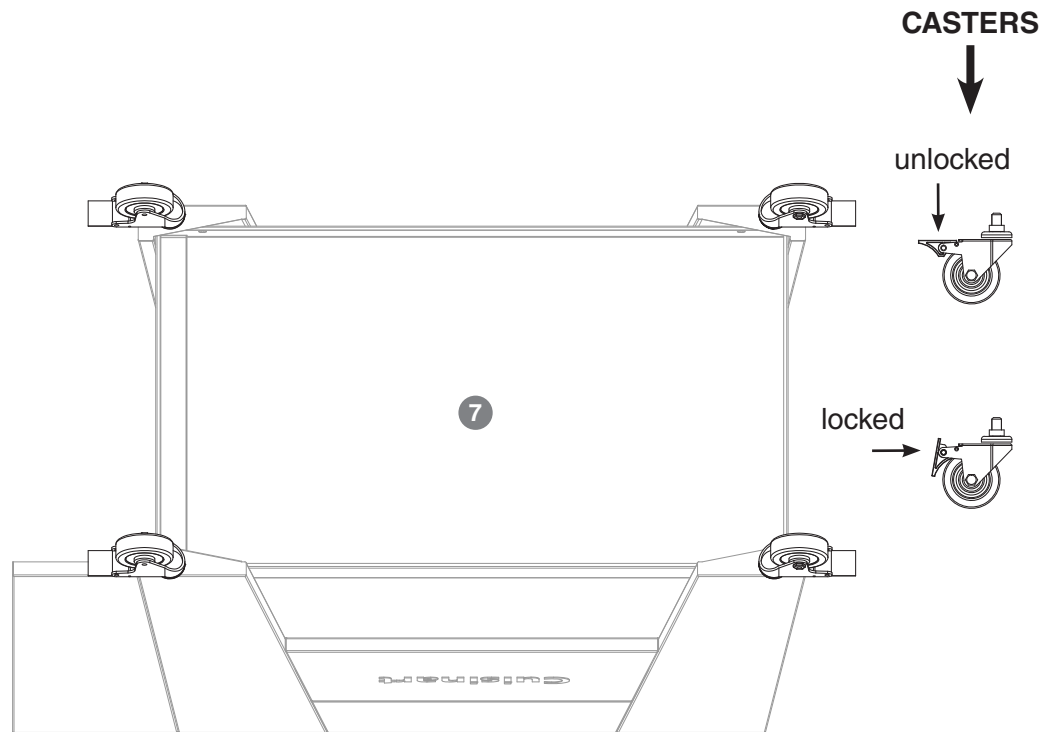
Step 8



- Attach **LEFT SIDE PANEL 5** and **CART BRACE 6**
- Tighten 4 screws

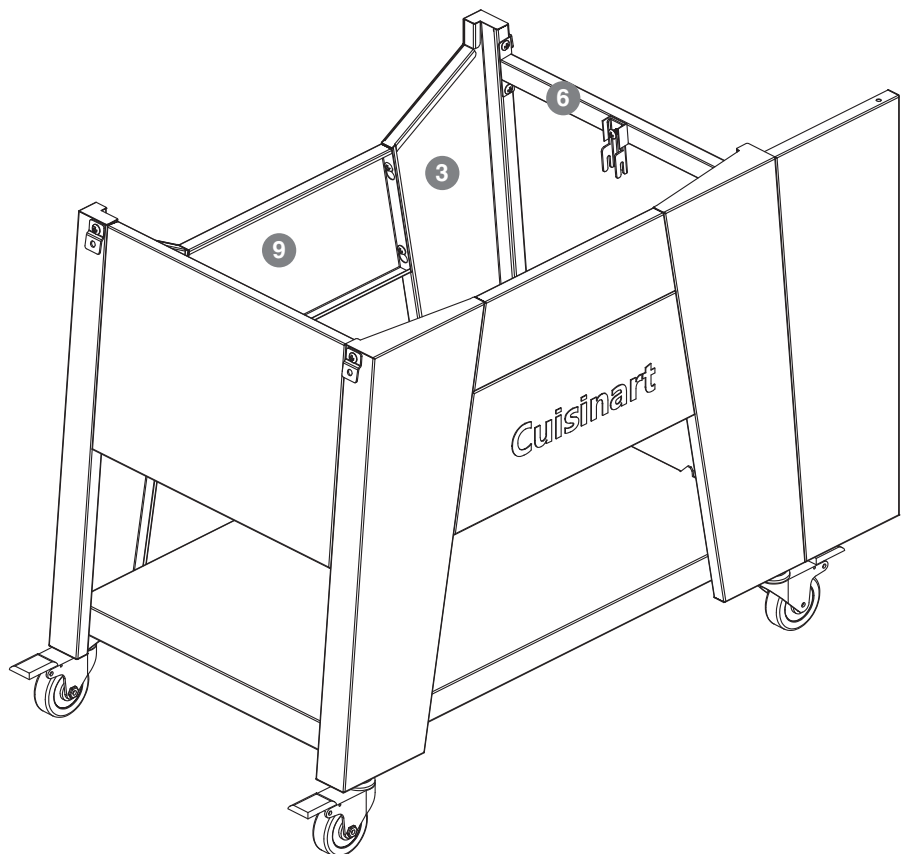
Step 9

- Lock **CASTERS**
- Attach **CASTERS** to legs

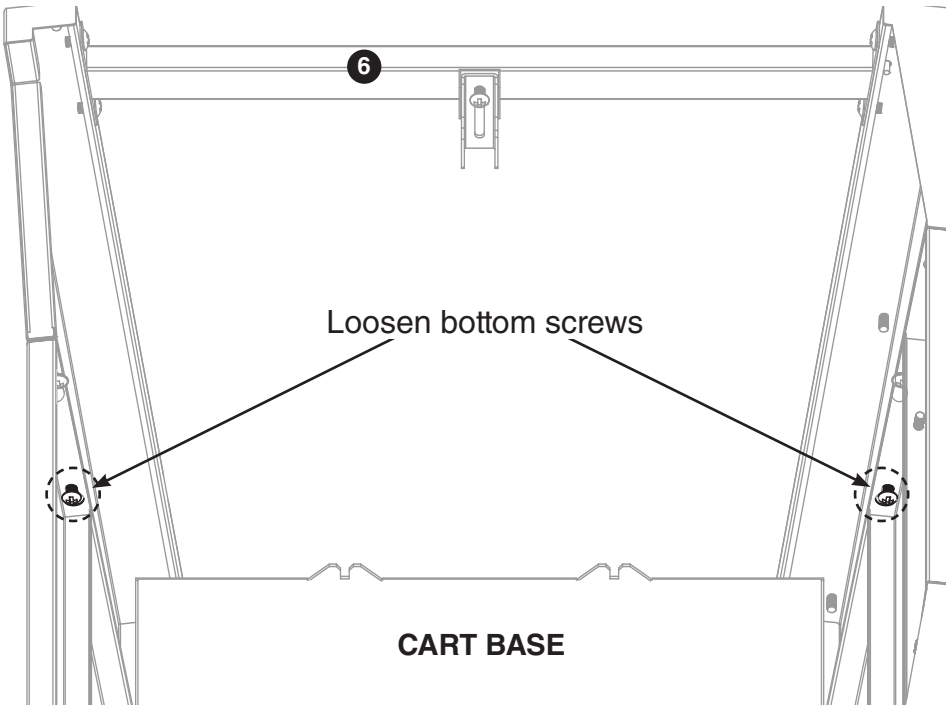


Step 10

- Set cart upright on **CASTERS**



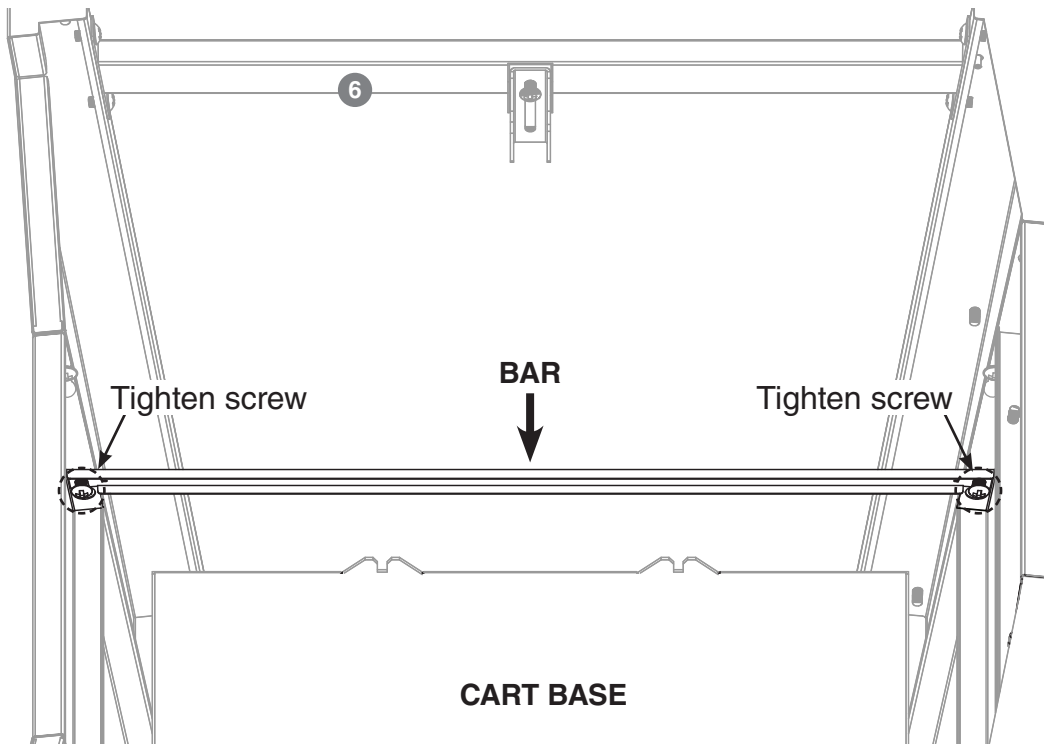
TOP VIEW



Step 11a

- Loosen 2 bottom screws

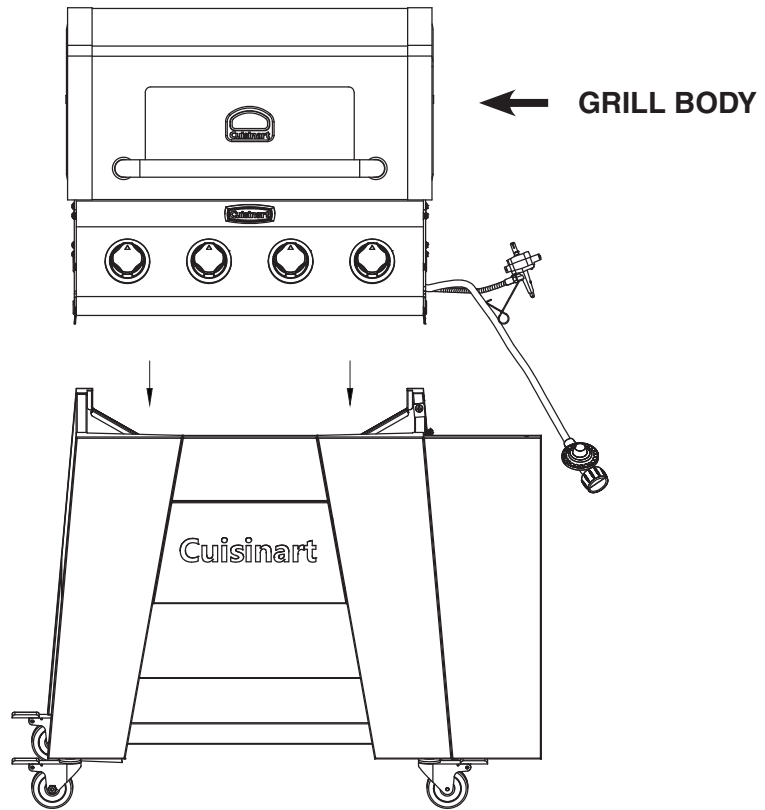
Step 11b



- Install **BAR**
- Tighten 2 screws

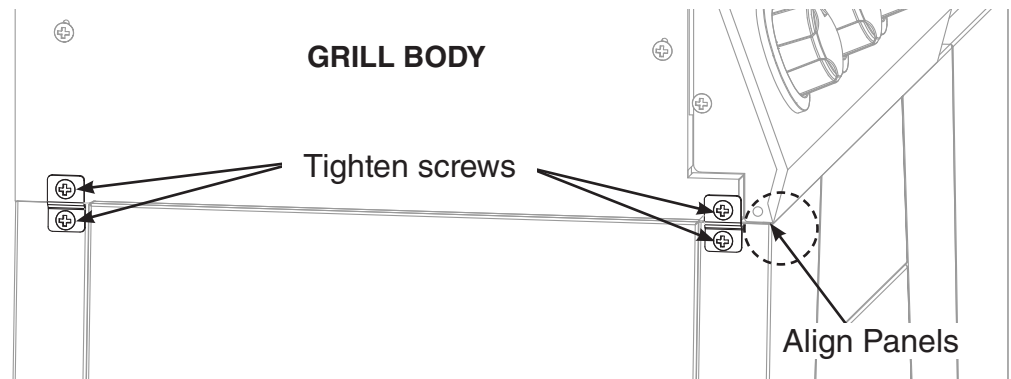
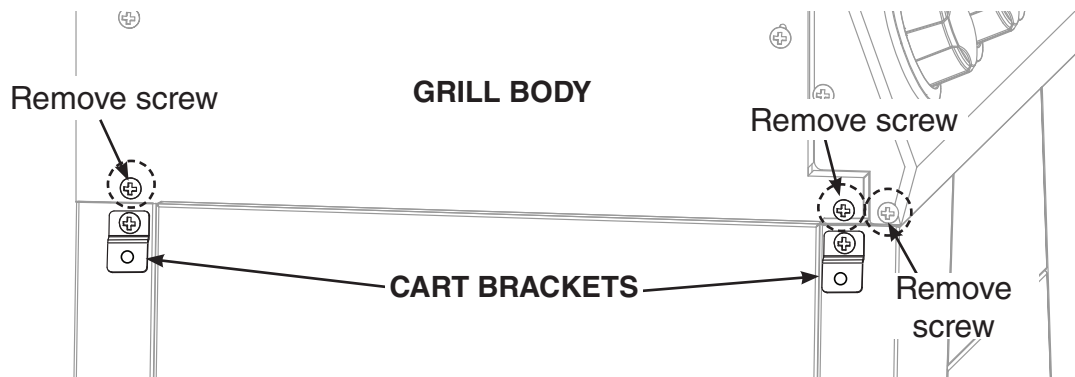
Step 12

- Set **GRILL BODY** on cart

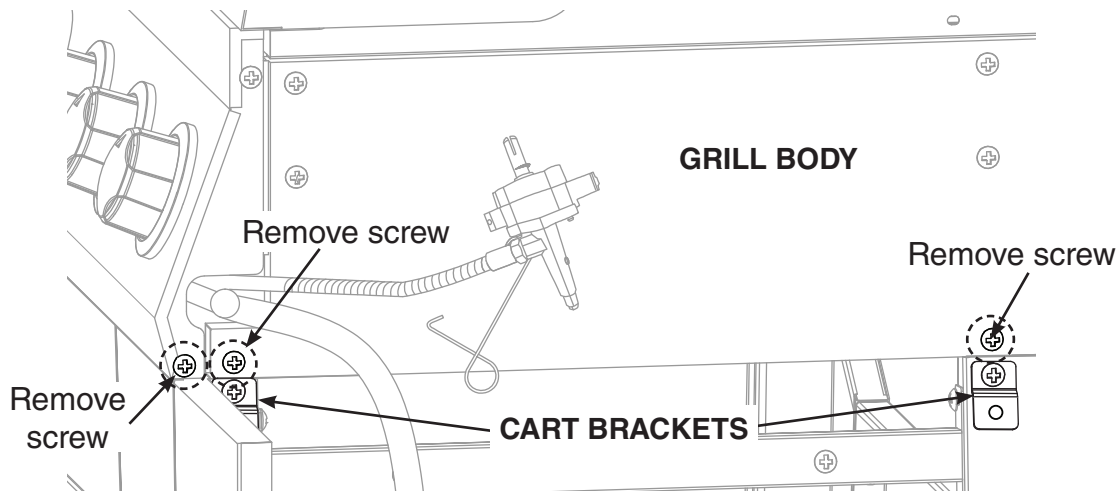


Step 13

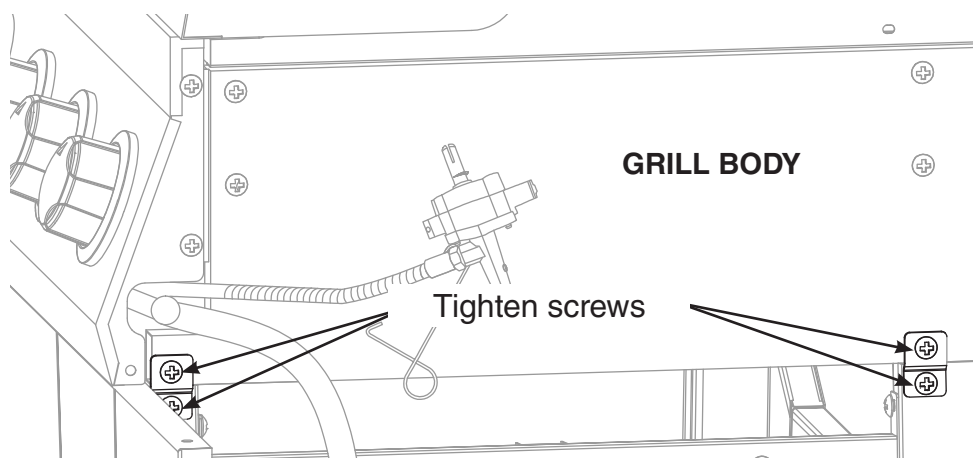
- Remove 3 screws
- Align **GRILL BODY** to cart
- Rotate **CART BRACKETS** upwards and tighten 4 screws



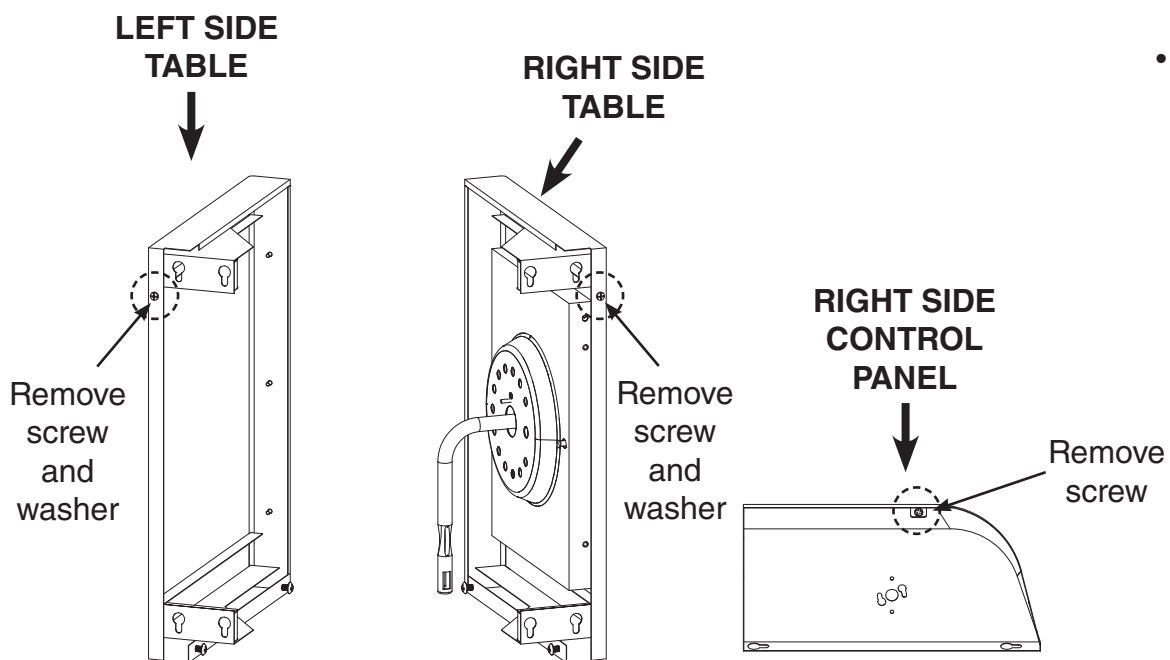
Step 14



- Remove 3 screws
- Align **GRILL BODY** to cart
- Rotate **CART BRACKETS** upwards and tighten 4 screws



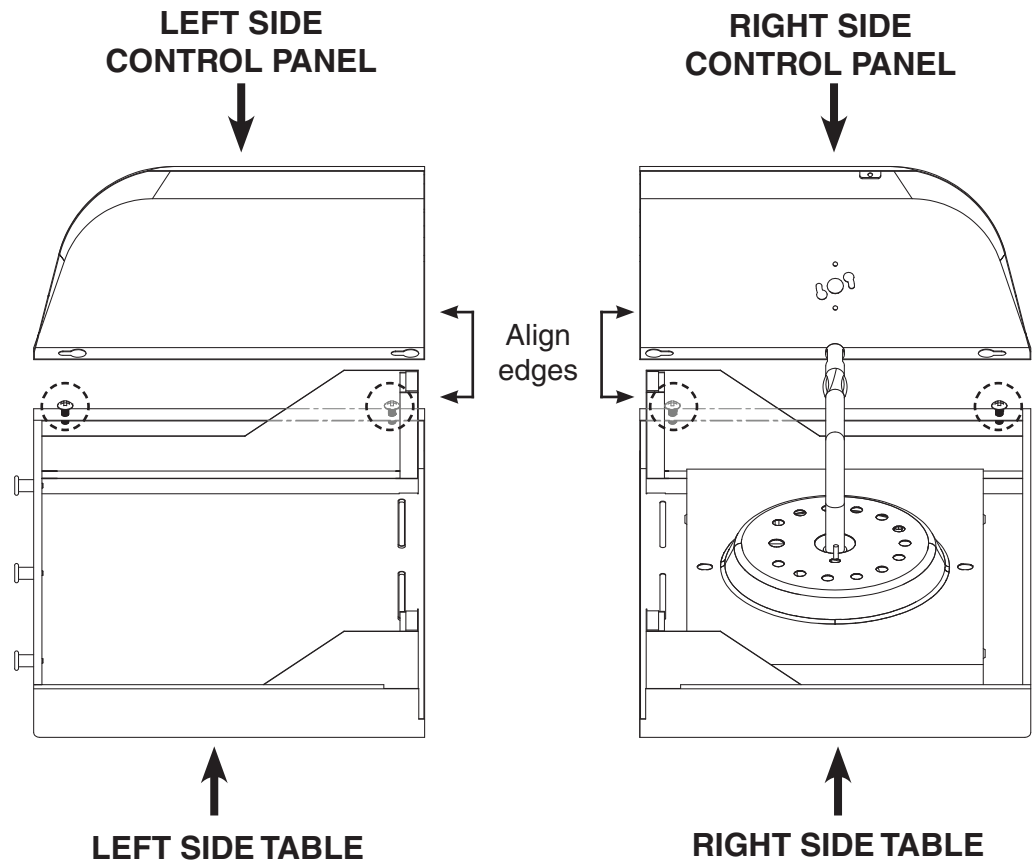
Step 15



- Remove 3 screws and washers

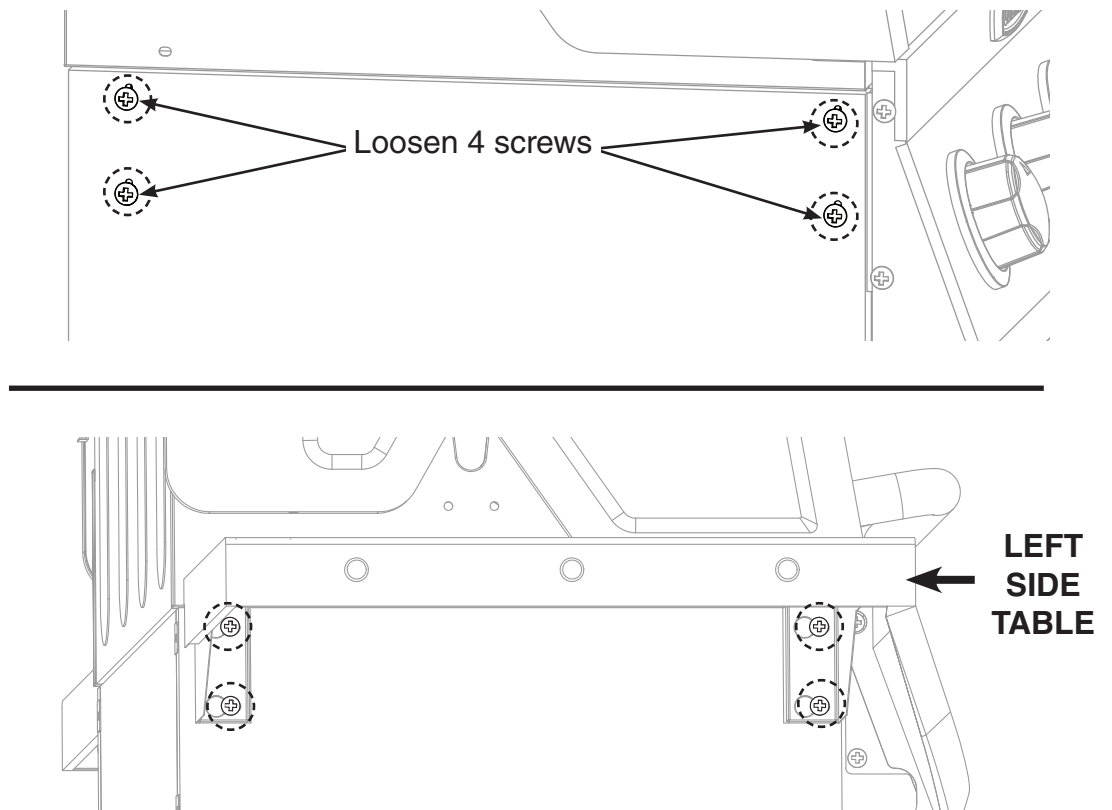
Step 16

- Loosen 4 screws
- Attach parts and tighten screws



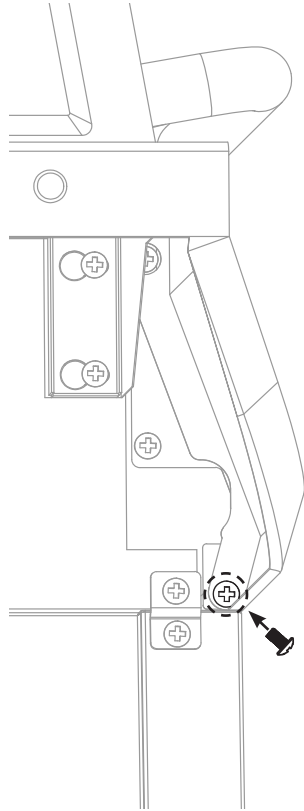
Step 17

- Loosen 4 screws
- Attach **LEFT SIDE TABLE** using keyholes
- Do not tighten screws at this point in time



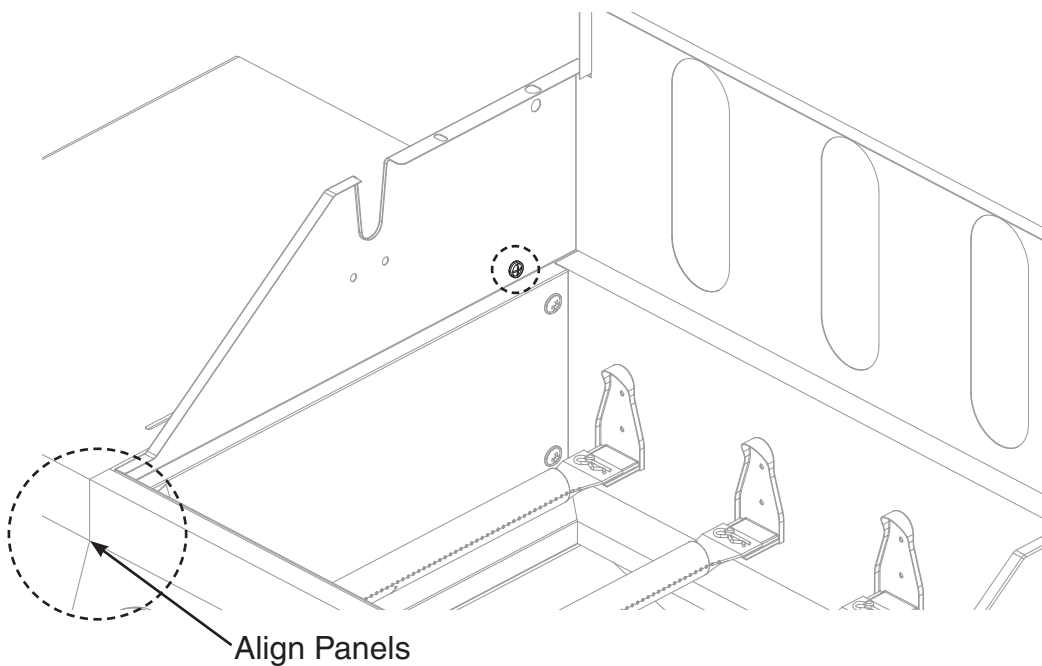
Step 18

- Install screw and tighten. (screw was removed in Step 13)



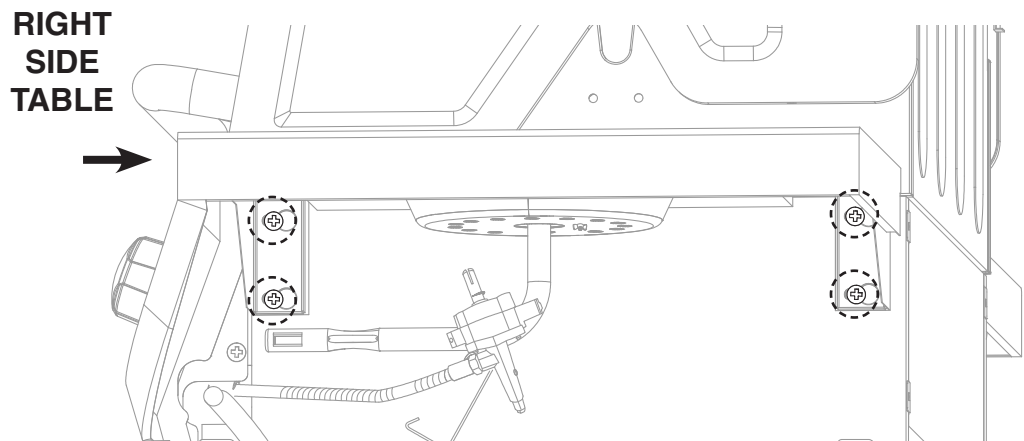
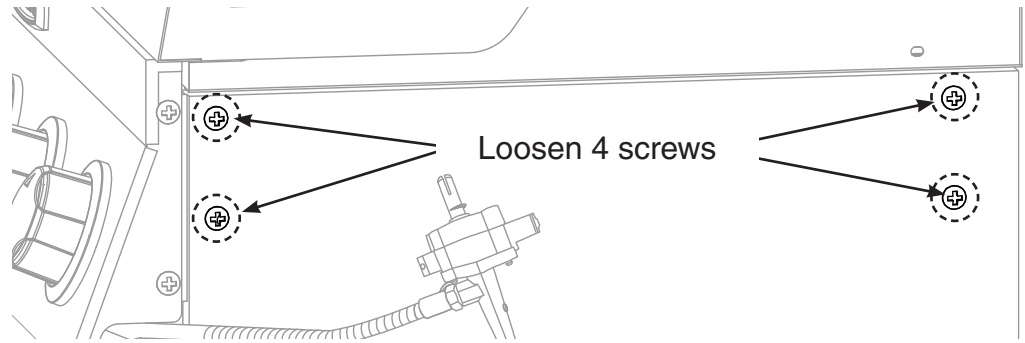
Step 19

- Install screw and washer. (screw and washer were removed in step 15) Do not tighten screw at this time.
- Make sure panels are aligned
- Tighten 5 screws from Step 17 & 19



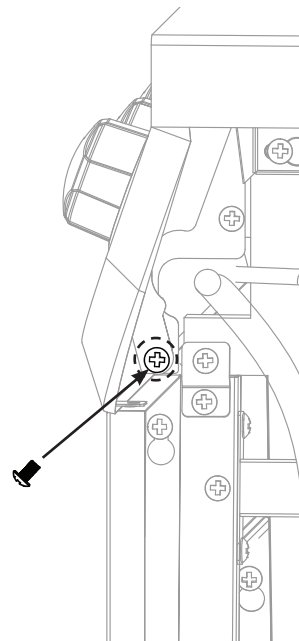
Step 20

- Loosen 4 screws.
- Attach **RIGHT SIDE TABLE** using keyholes. Do not tighten 4 screws at this time.

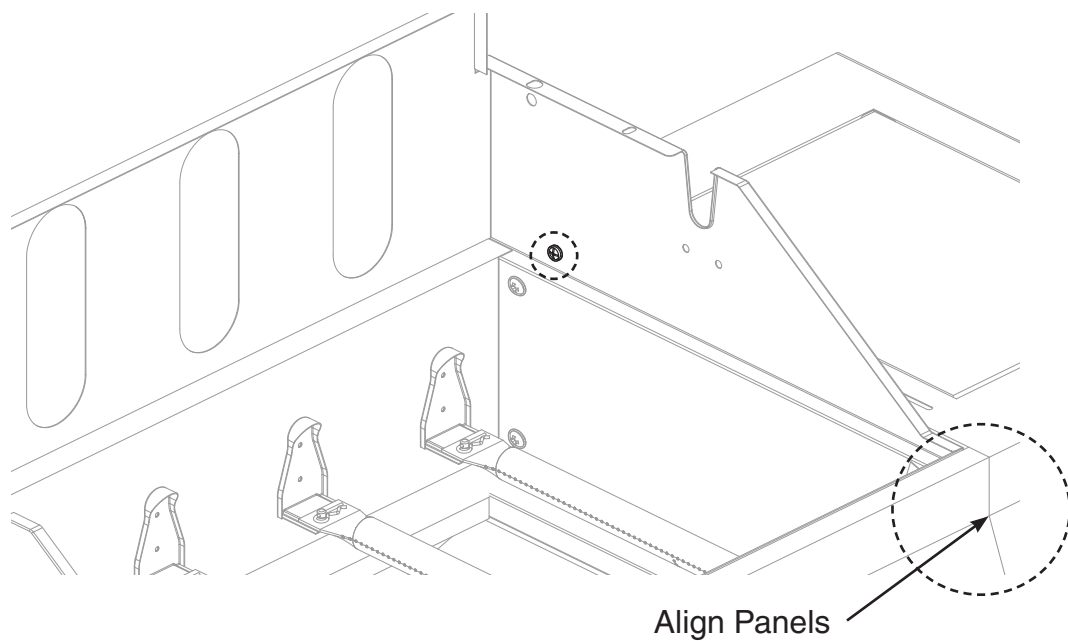


Step 21

- Install screw and tighten (screw was removed in step 14)

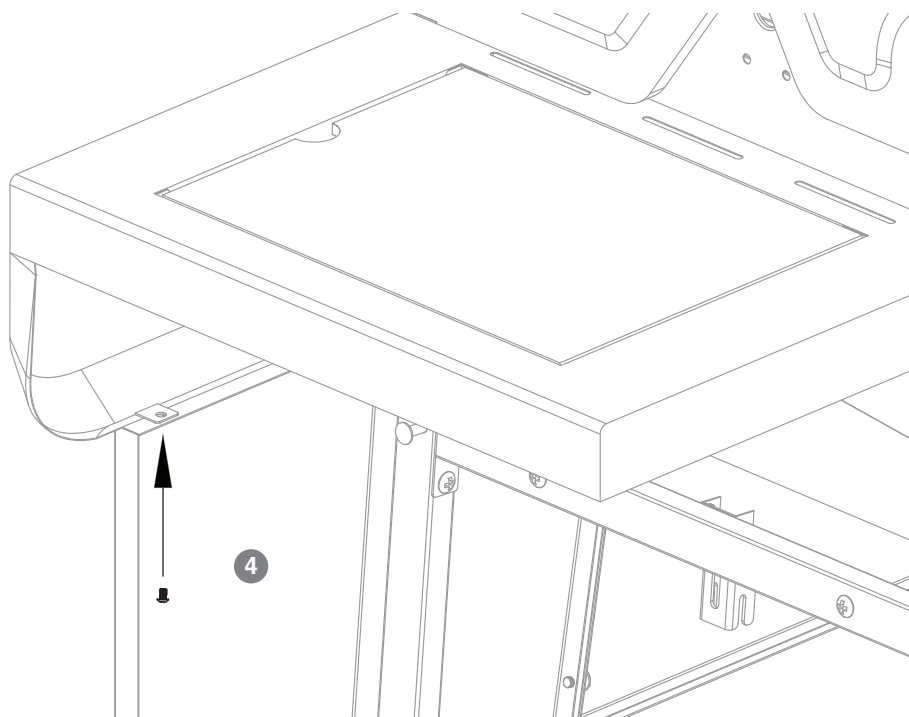


Step 22



- Install screw and washer (screw and washer were removed in step 15) Do not tighten screw at this time.
- Make sure panels are aligned and tighten 5 screws from Step 20 & 22

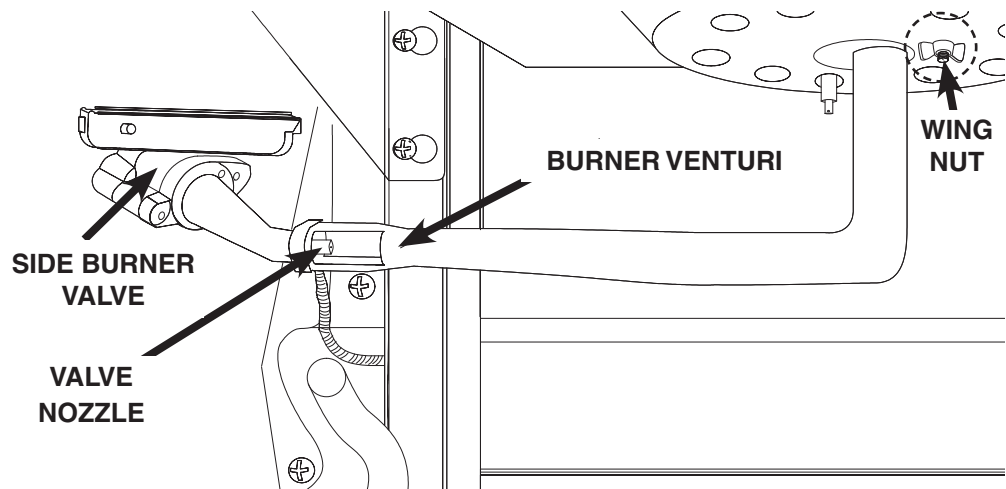
Step 23



- Install screw (removed in step 15)

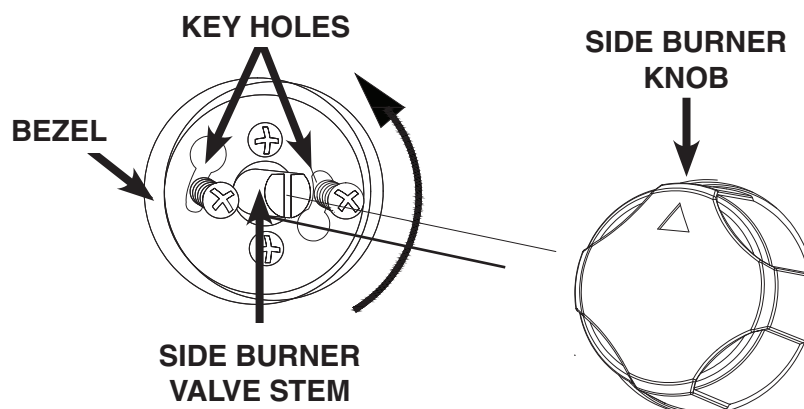
Step 24a

- Remove **WING NUT** and remove burner. Install **SIDE BURNER VALVE** in control panel
- Rotate valve and tighten 2 screws to lock into place (see diagram step 24b below)
- Install burner and make sure **BURNER VENTURI** fits over **VALVE NOZZLE**
- Tighten **WING NUT**



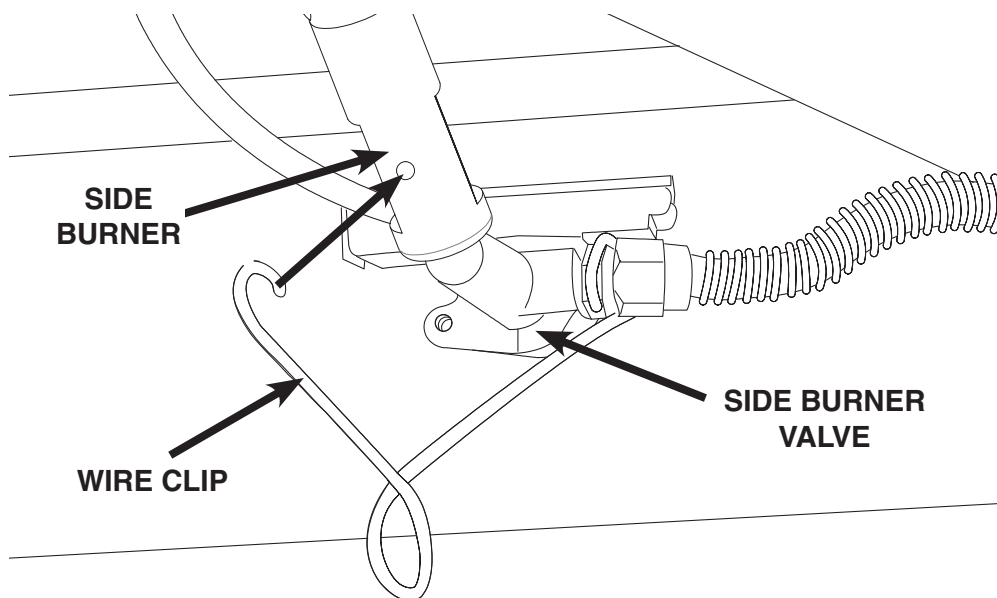
Step 24b

- Install **SIDE BURNER KNOB**

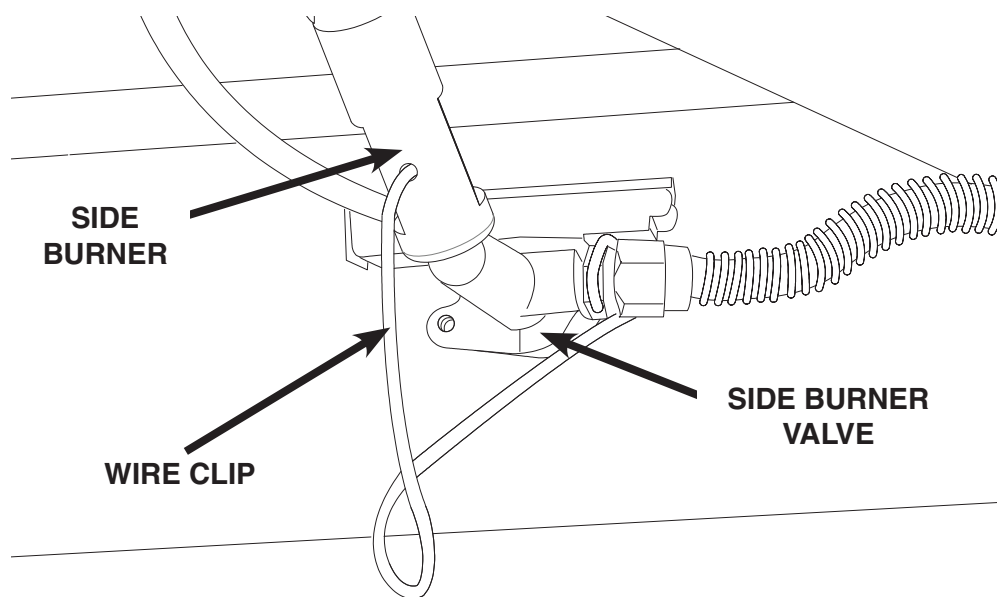


Step 25a

- Attach **WIRE CLIP** to side burner

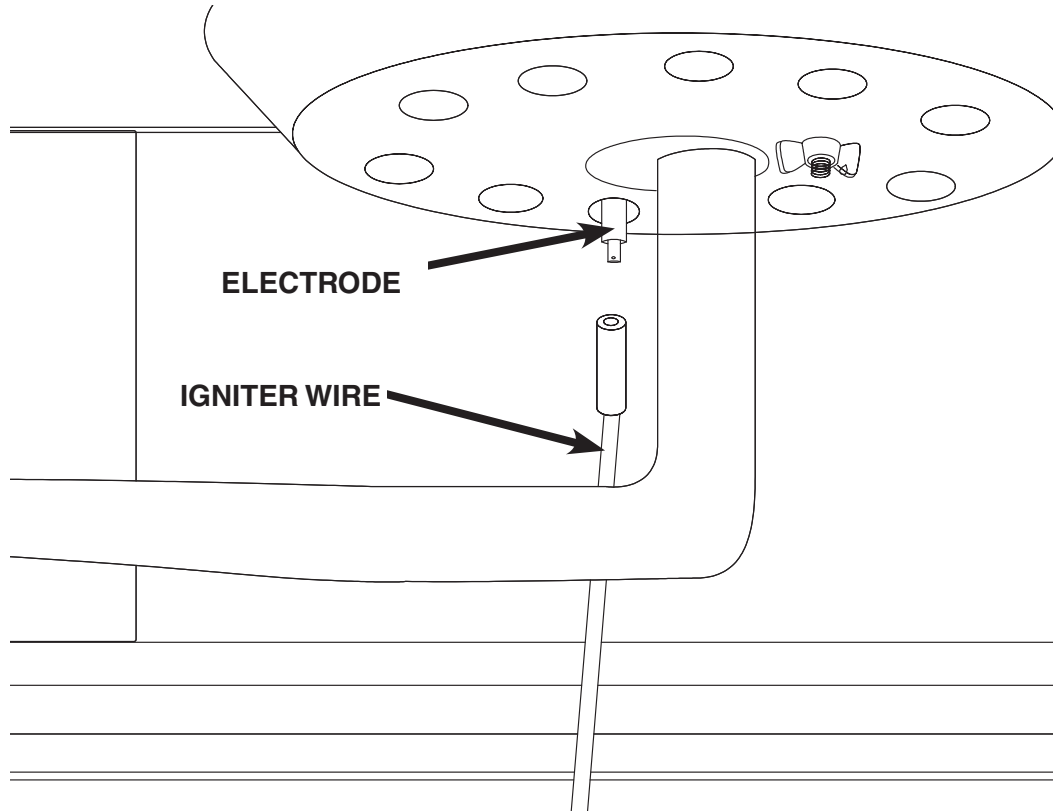


Step 25b



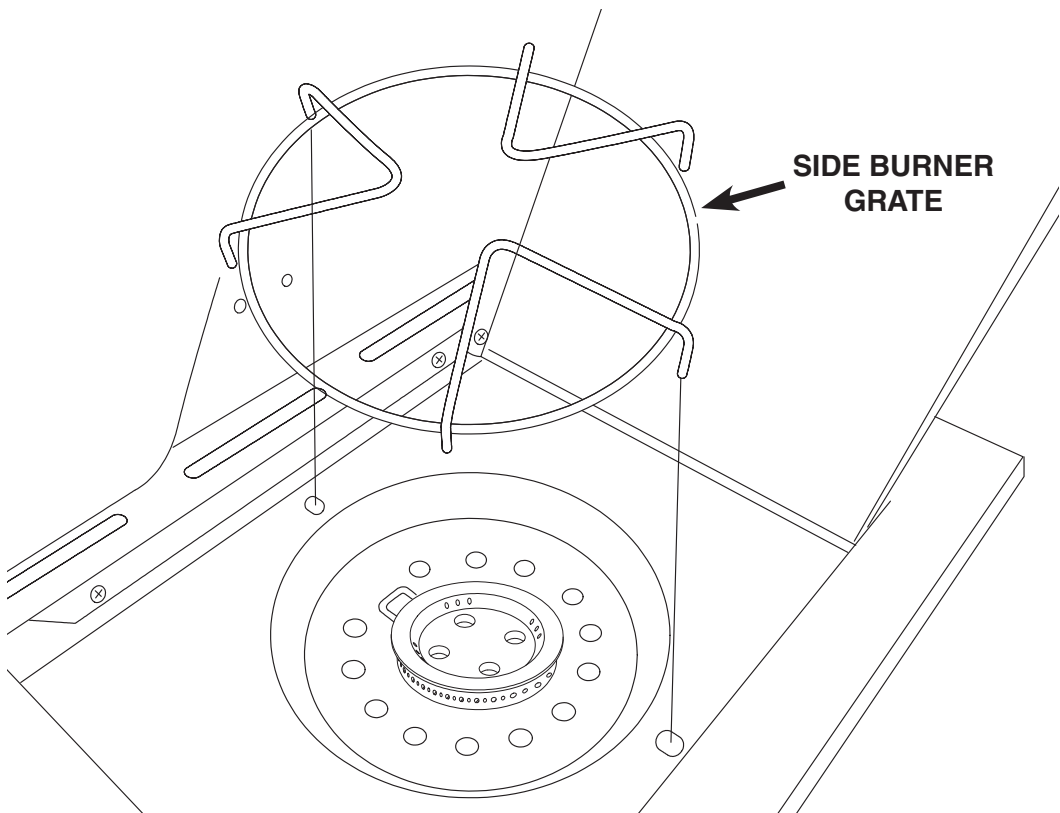
Step 26

- Attach **IGNITOR WIRE** to **ELECTRODE**

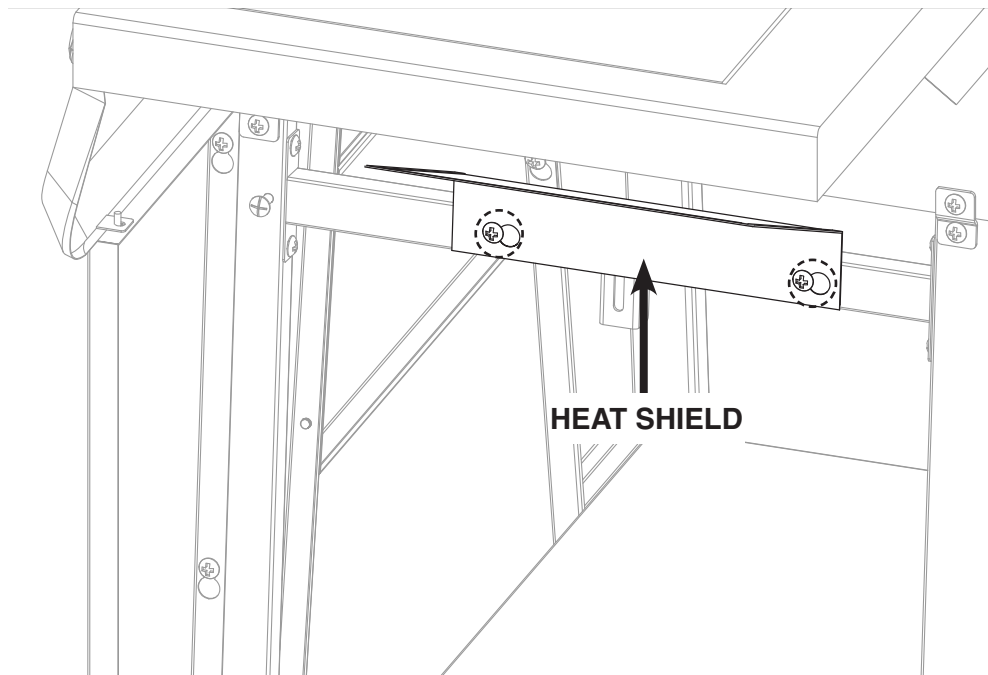


Step 27

- Install **SIDE BURNER GRATE**

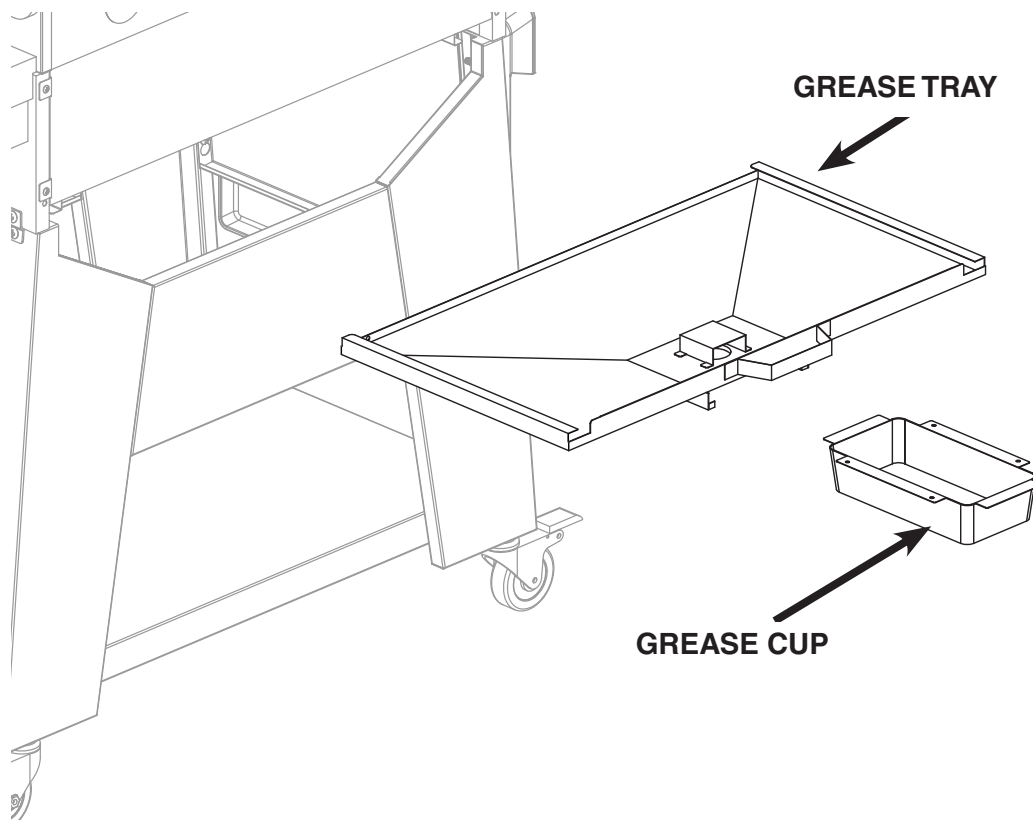


Step 28



- Loosen 2 screws
- Attach **HEAT SHIELD** and tighten screws

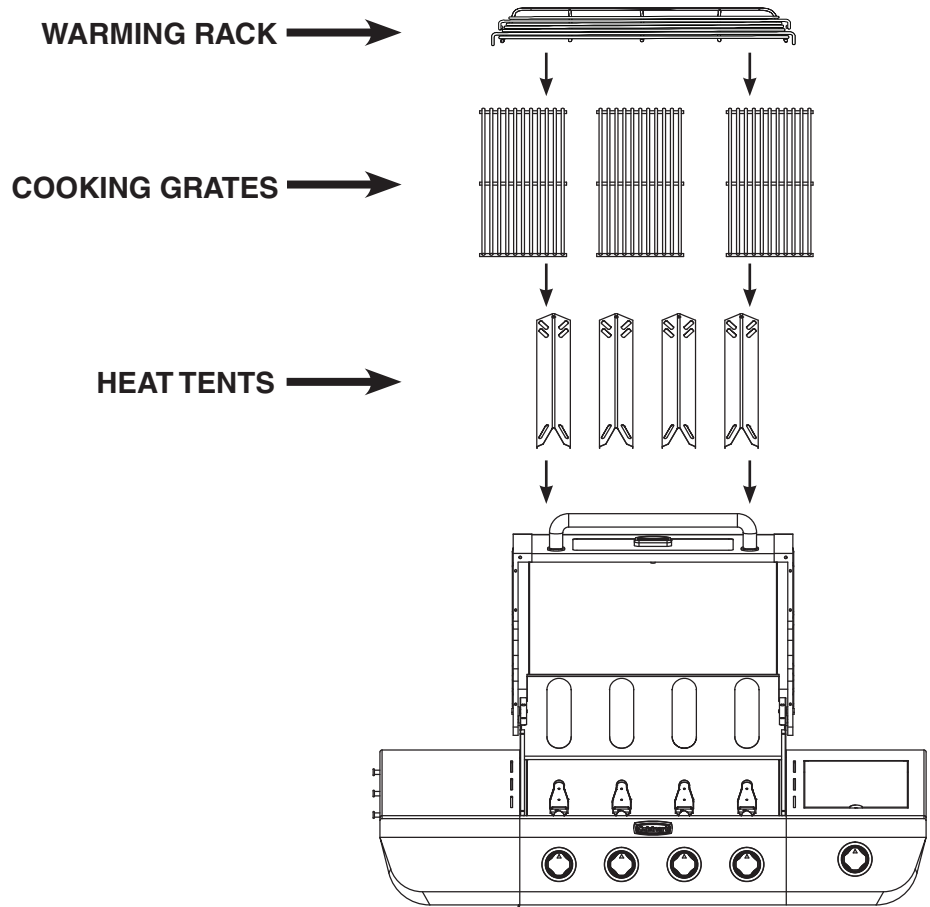
Step 29



- Install **GREASE TRAY** and **GREASE CUP** through back of grill

Step 30

- Install **HEAT TENTS, COOKING GRATES** and **WARMING RACK**



Model GAS9456AS Assembled

