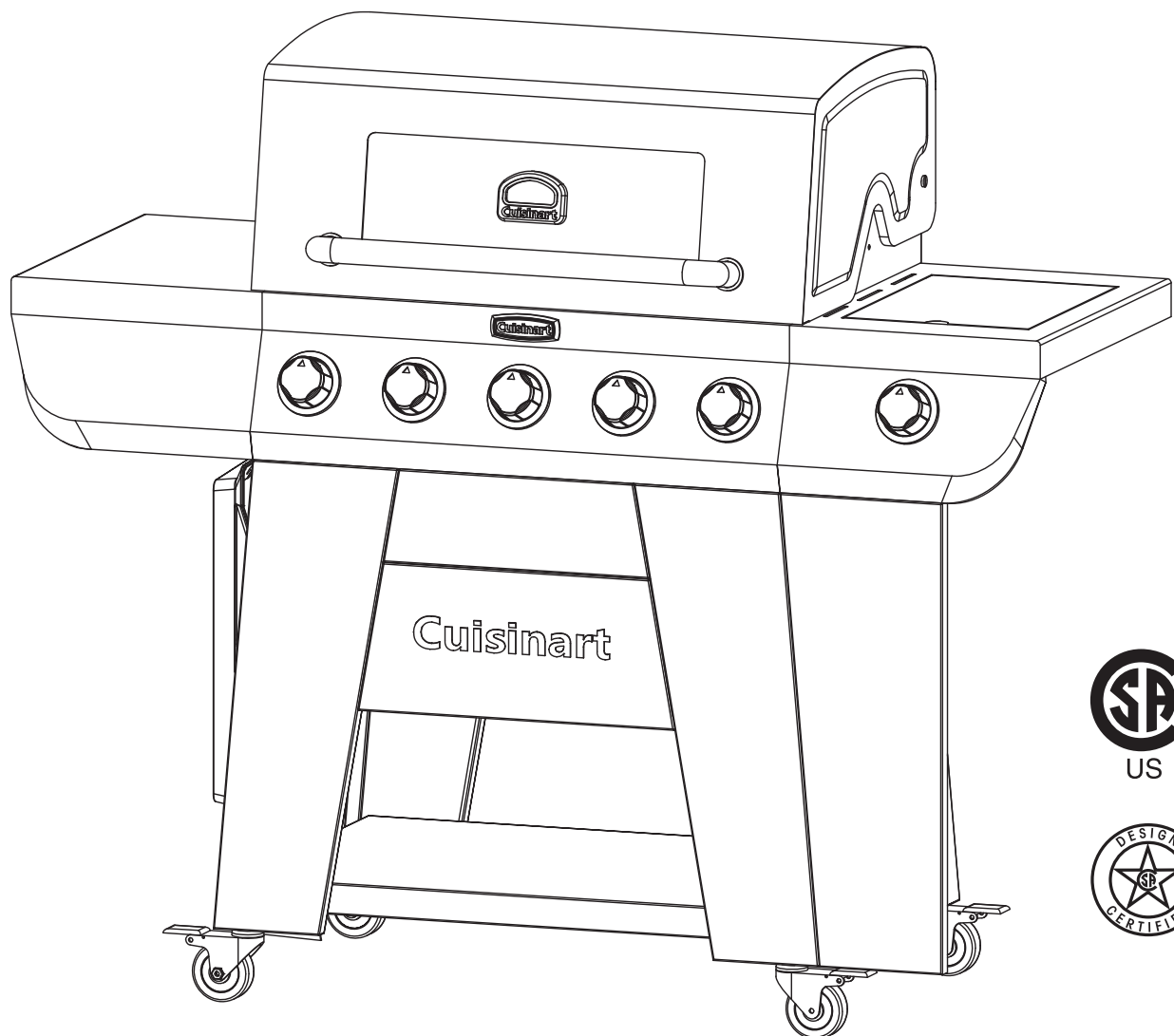


# Cuisinart®

## 3-in-1 Stainless 5 Burner Gas Grill

# ASSEMBLY INSTRUCTIONS

### Model GAS9556AS / GAS9556ASO



# ASSEMBLY INSTRUCTIONS:

**⚠ READ ALL SAFETY WARNINGS & ASSEMBLY INSTRUCTIONS CAREFULLY BEFORE ASSEMBLING OR OPERATING YOUR GRILL.**

**WE RECOMMEND TWO PEOPLE WORK TOGETHER WHEN ASSEMBLING THIS UNIT.**

The following tools are required to assemble this Cuisinart 5 Burner Gas Grill:

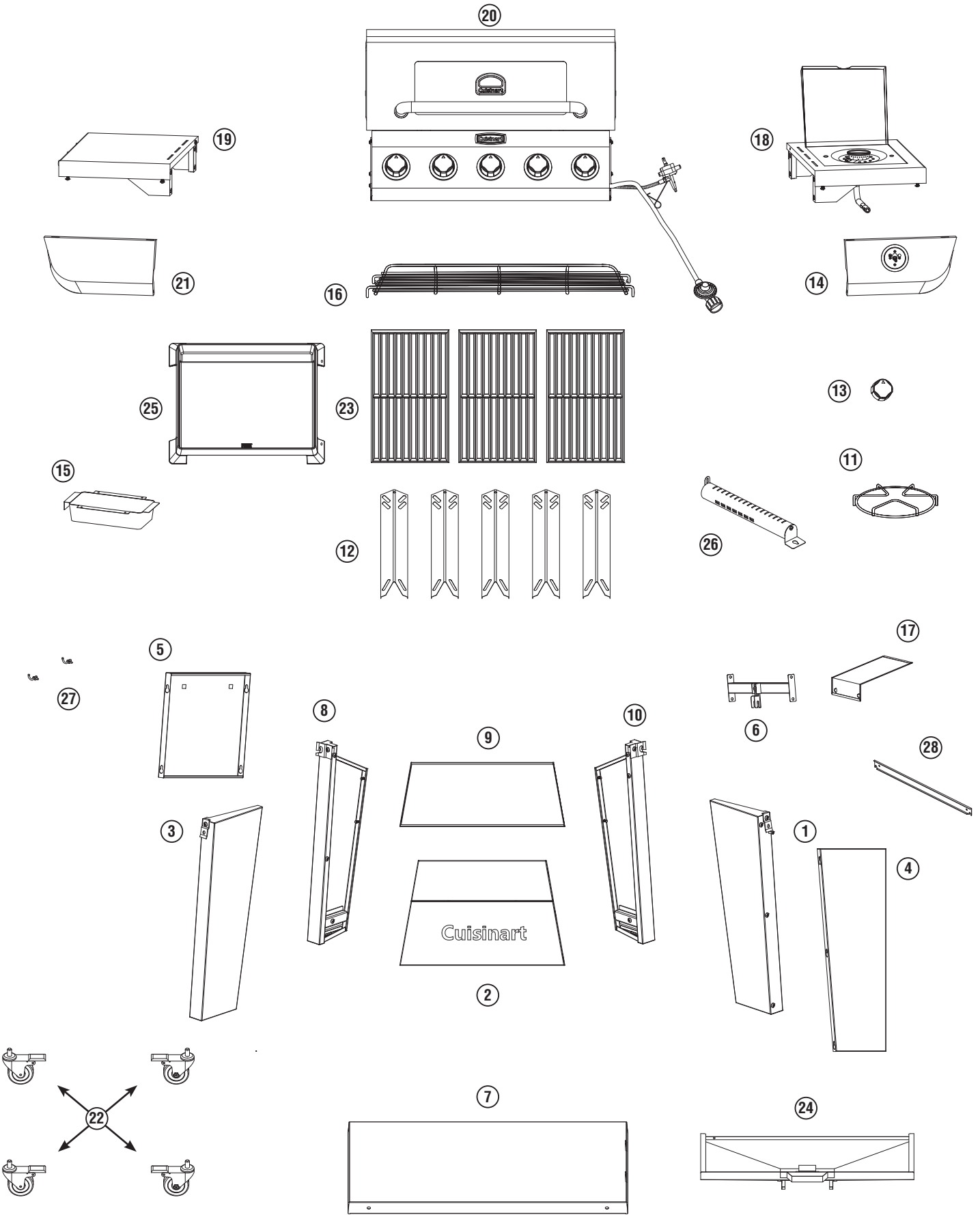
- Phillips Screwdriver
- Pliers or Wrench

## PARTS LIST:

①	1	Right Front Leg	⑮	1	Grease Cup
②	1	Front Panel	⑯	1	Warming Rack
③	1	Left Front Leg	⑰	1	Heat Shield
④	1	Right Side Panel	⑱	1	Right Side Table
⑤	1	Left Side Panel	⑲	1	Left Side Table
⑥	1	Cart Brace	⑳	1	Grill Body
⑦	1	Cart Base	㉑	1	Left Side Control Panel
⑧	1	Left Rear Leg	㉒	4	Casters
⑨	1	Back Panel	㉓	3	Cooking Grates
⑩	1	Right Rear Leg	㉔	1	Grease Tray
⑪	1	Side Burner Grate	㉕	1	Griddle
⑫	5	Heat Tents	㉖	1	Smoke Tube
⑬	1	Side Burner Knob	㉗	2	Griddle Hooks
⑭	1	Right Side Control Panel	㉘	1	Bar

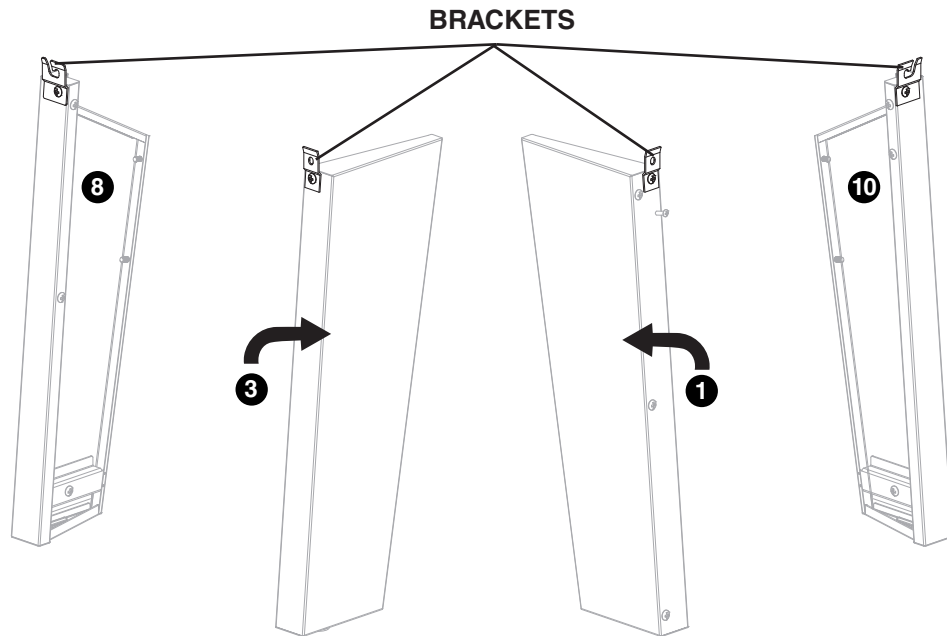
**Note:** Most hardware is pre-attached to the grill. You may need to loosen some screws partially while others may need to be removed in order to assemble parts. The screws that you remove will be re-used so don't misplace this hardware.

Extra screws are included in a small bag with the owners manual.



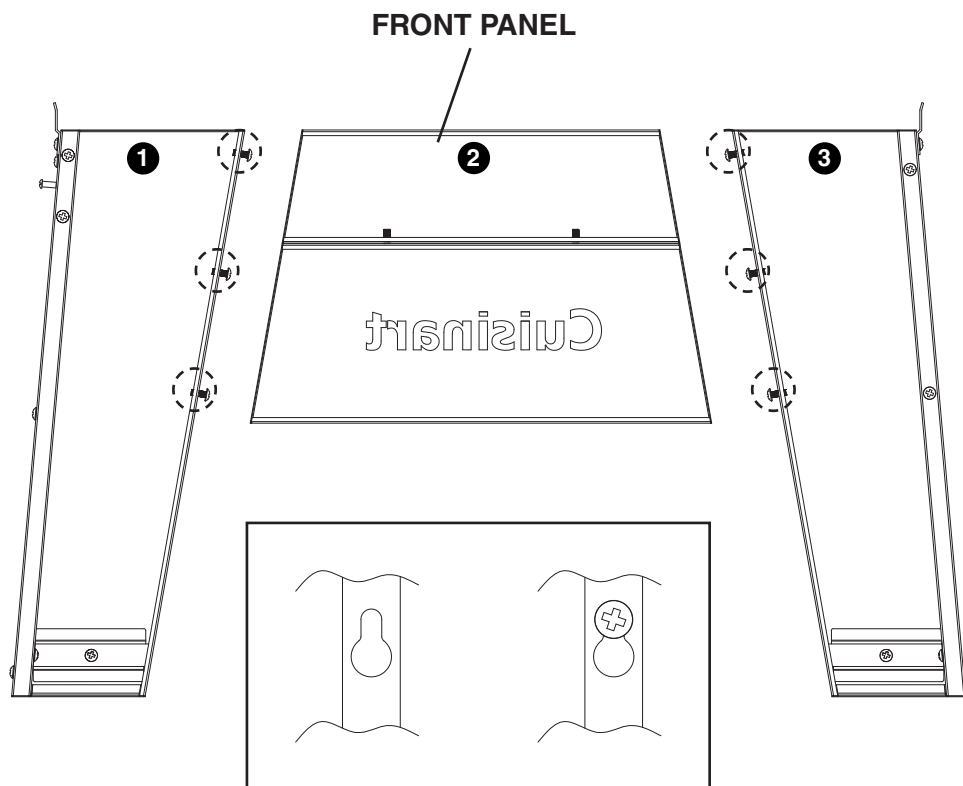
## Step 1a

- Loosen screw on each **BRACKETS**
- Rotate all **BRACKETS** upward and lock into slot.
- Tighten screws



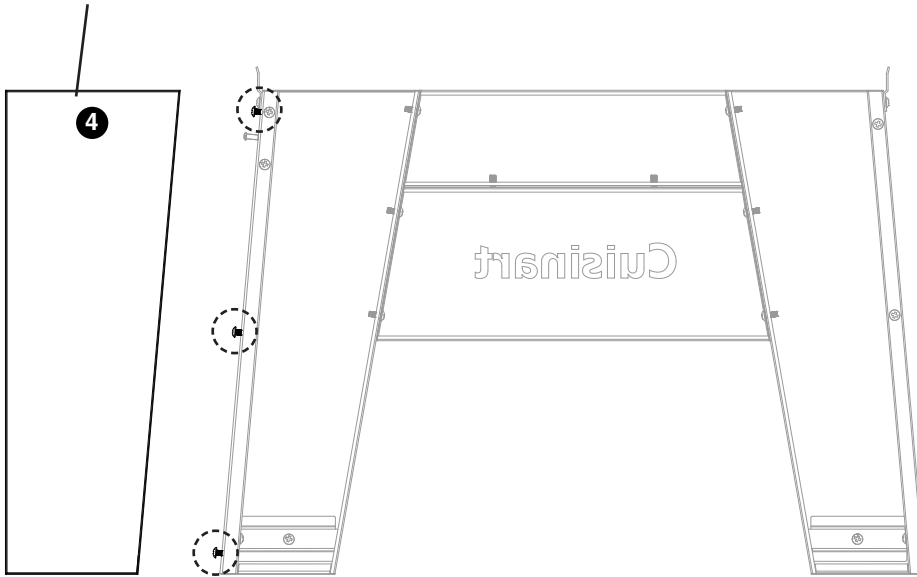
## Step 1b

- Loosen 6 screws 3-4 turns **FRONT LEGS 1 and 3**
- Do not remove screws
- Attach **FRONT PANEL 2** using keyholes
- Tighten 6 screws



**NOTE:** Before tightening keyhole screws, make sure panels are aligned.

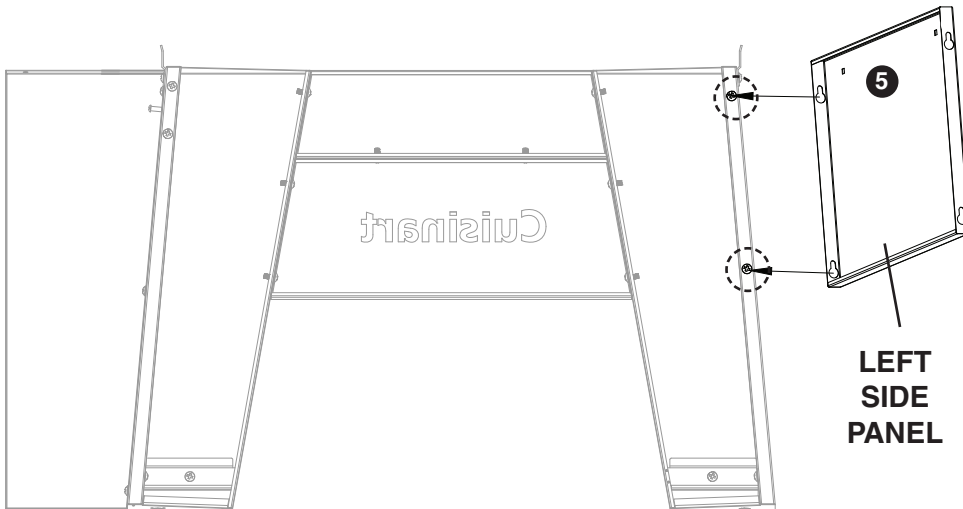
**RIGHT SIDE  
PANEL**



## Step 2

- Loosen 3 screws
- Attach **RIGHT SIDE PANEL 4**
- Tighten 3 screws on **RIGHT SIDE PANEL 4**

## Step 3

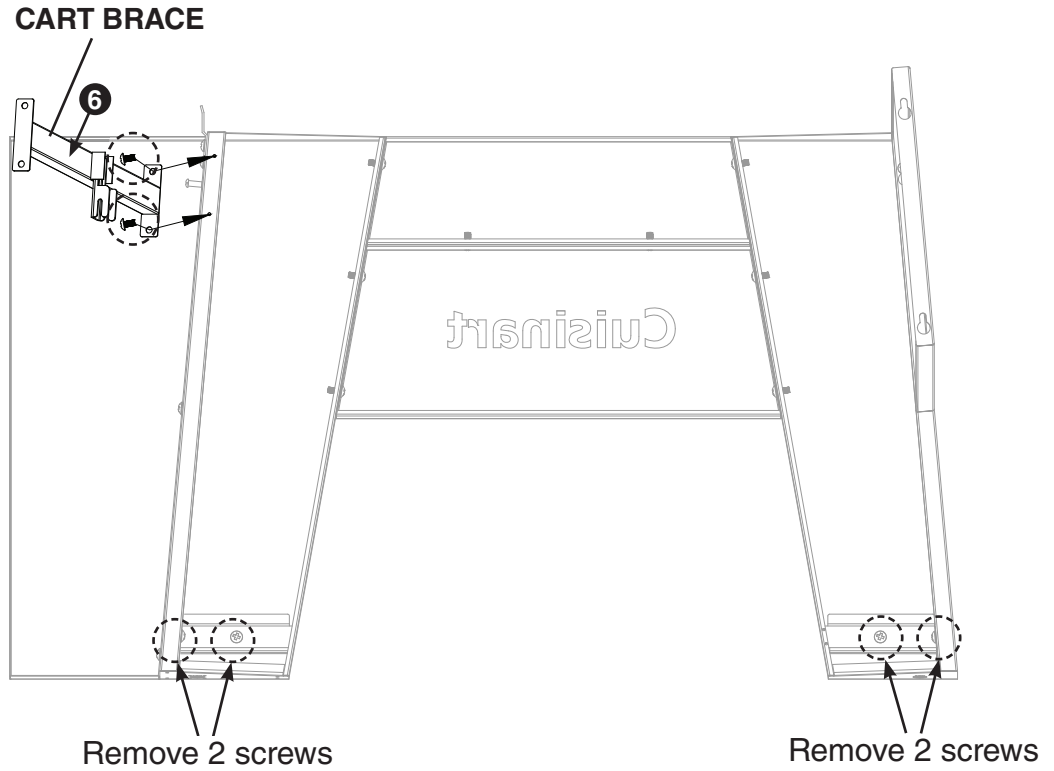


- Loosen 2 screws
- Attach **LEFT SIDE PANEL 5**
- Tighten 2 screws on **LEFT SIDE PANEL 5**

**LEFT  
SIDE  
PANEL**

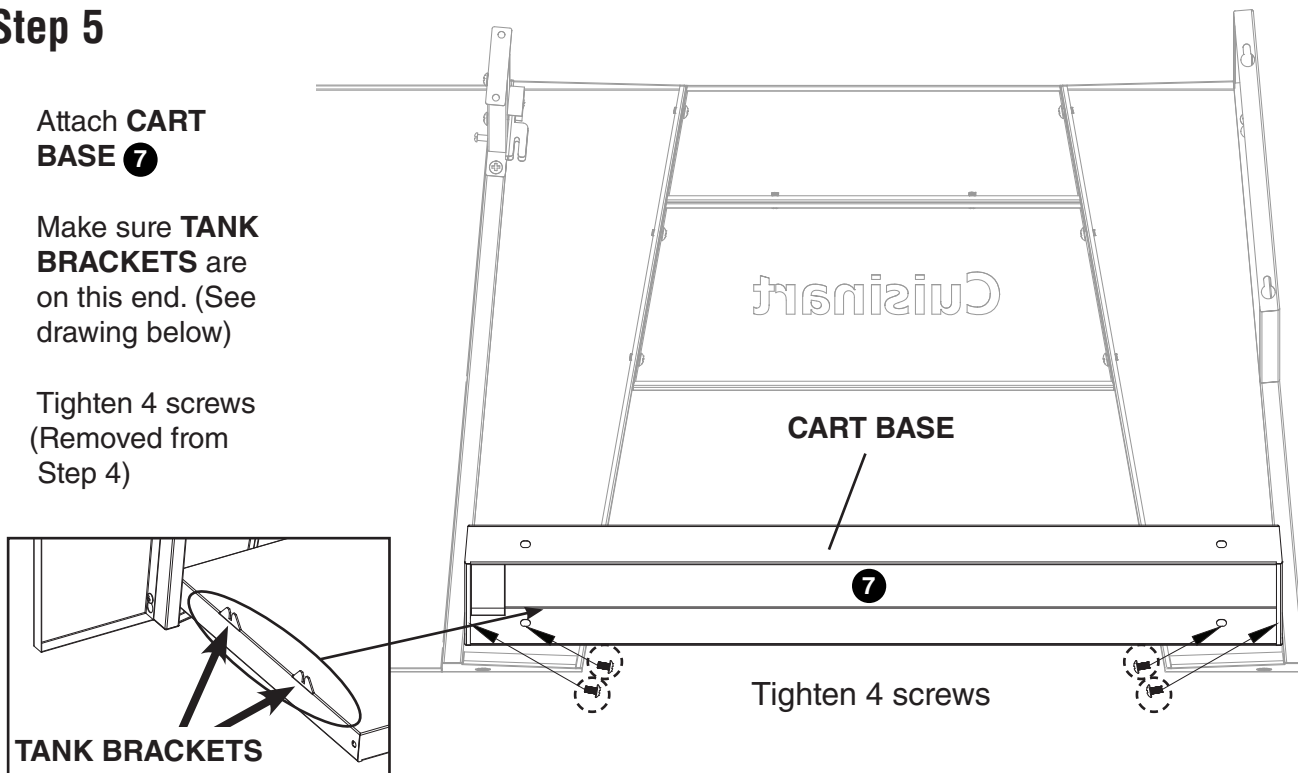
## Step 4

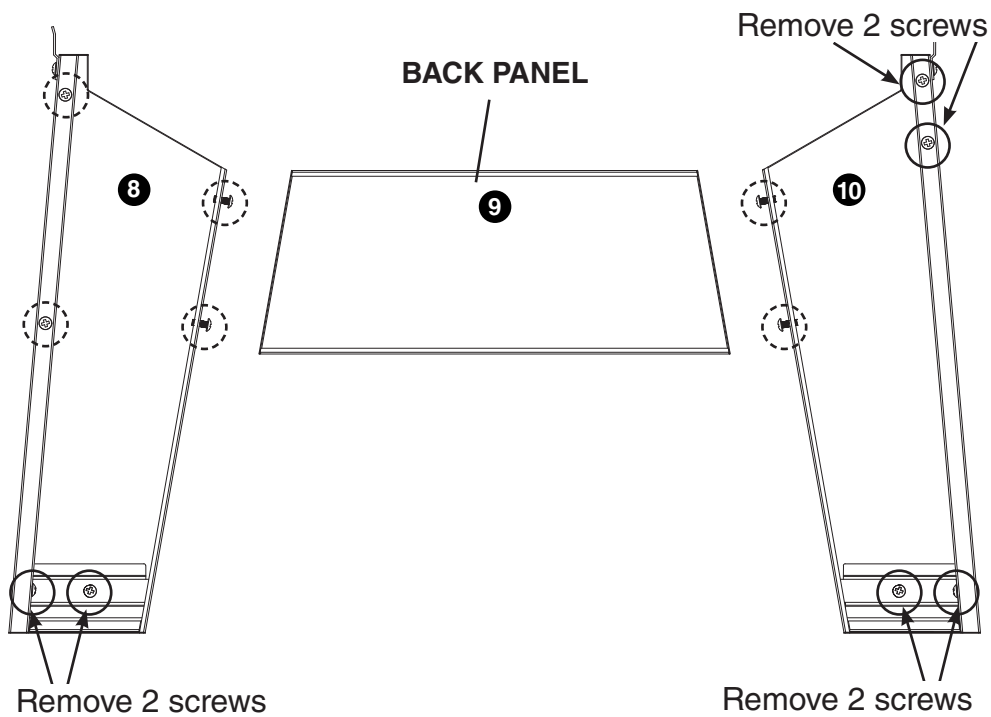
- Remove 6 screws
- Attach **CART BRACE 6**
- Tighten two screws on **CART BRACE 6**



## Step 5

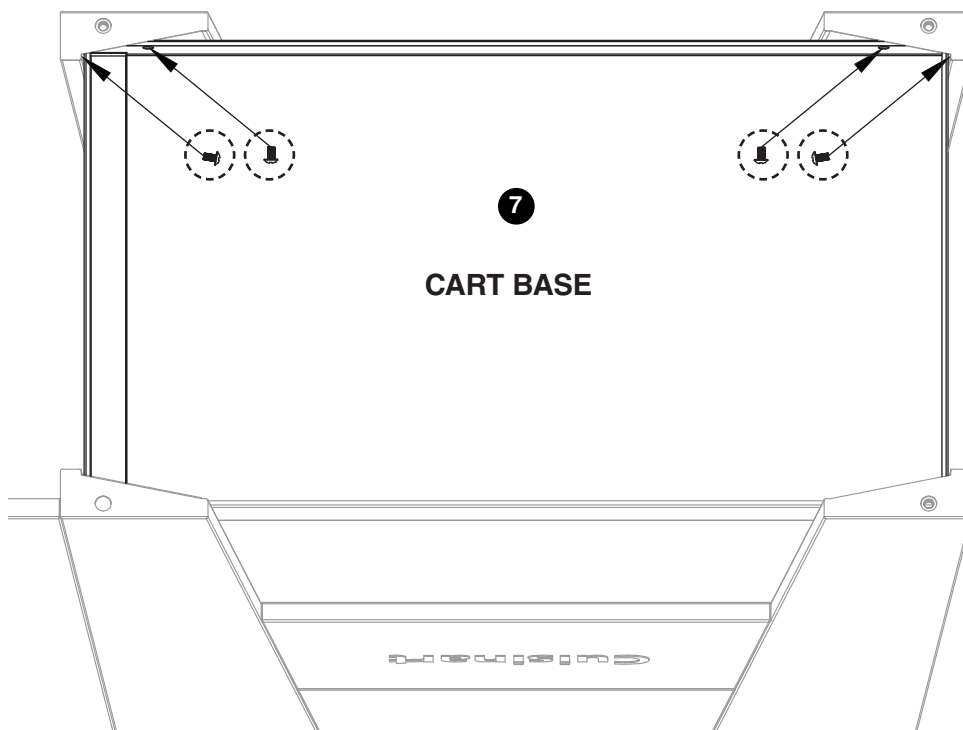
- Attach **CART BASE 7**
- Make sure **TANK BRACKETS** are on this end. (See drawing below)
- Tighten 4 screws (Removed from Step 4)





## Step 6

- Loosen 6 screws on **REAR LEGS 8** and **10**
- Attach **BACK PANEL 9**
- Tighten 4 screws
- Remove 6 screws

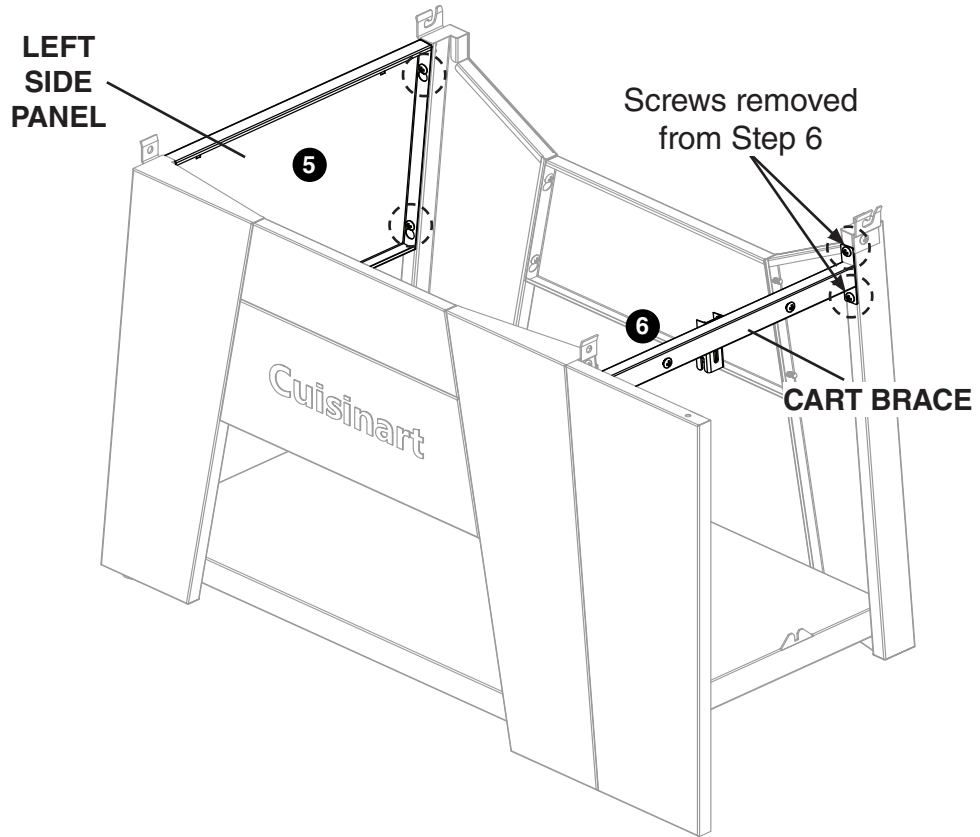


## Step 7

- Attach **CART BASE 7** to back legs
- Tighten 4 screws (Removed from Step 6) Attach **CART BASE 7** to the back legs

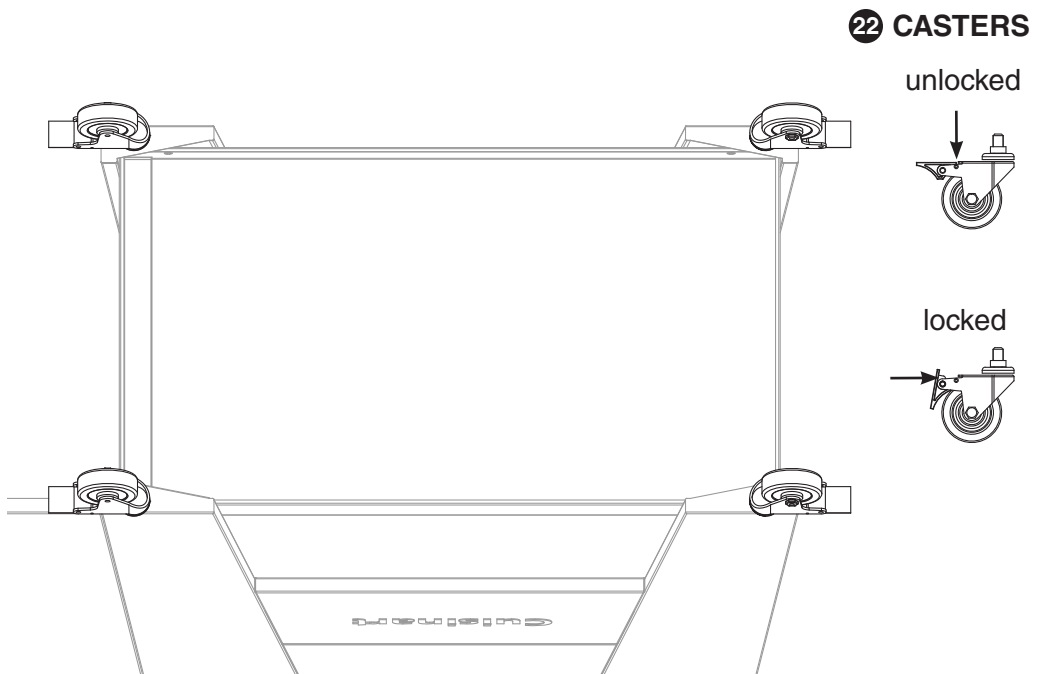
## Step 8

- Attach **LEFT SIDE PANEL 5** and **CART BRACE 6**
- Tighten 4 screws



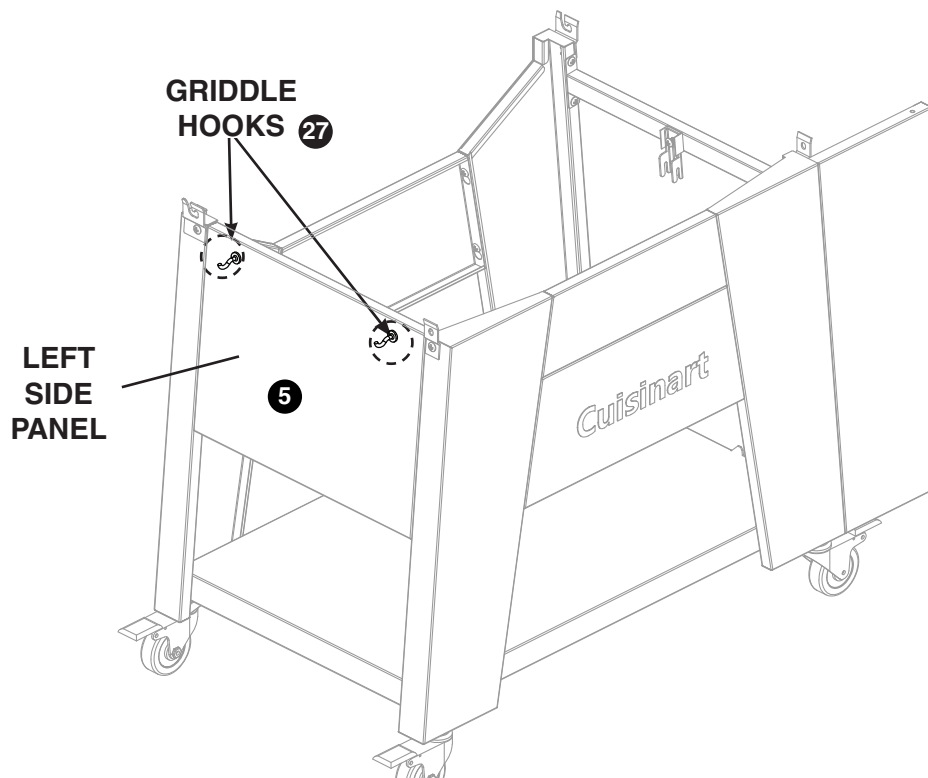
## Step 9

- Lock **CASTERS 22**
- Attach **CASTERS 22** to legs



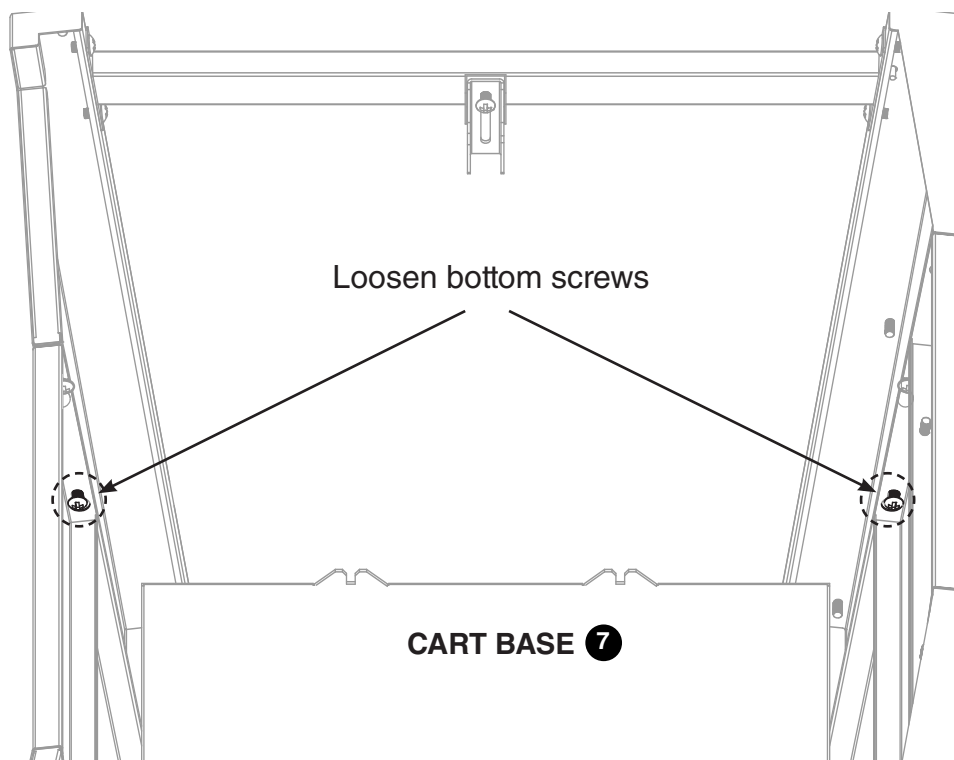


## Step 10



- Attach **GRIDDLE HOOKS 27** to **LEFT SIDE PANEL 5**
- **NOTE:** Washer and nut used to attach **GRIDDLE HOOKS 27** go on the back side of **LEFT SIDE PANEL 5**

## TOP VIEW

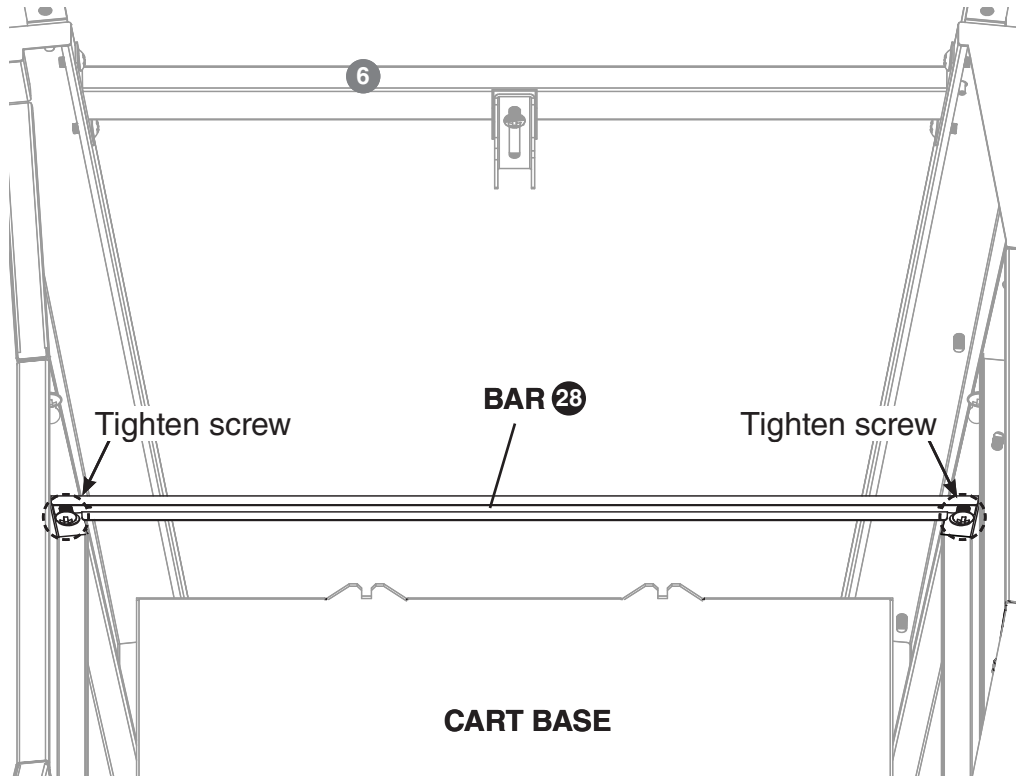


## Step 11a

- Loosen 2 bottom screws

## Step 11b

- Install **BAR 28**
- Tighten 2 screws



## Step 12

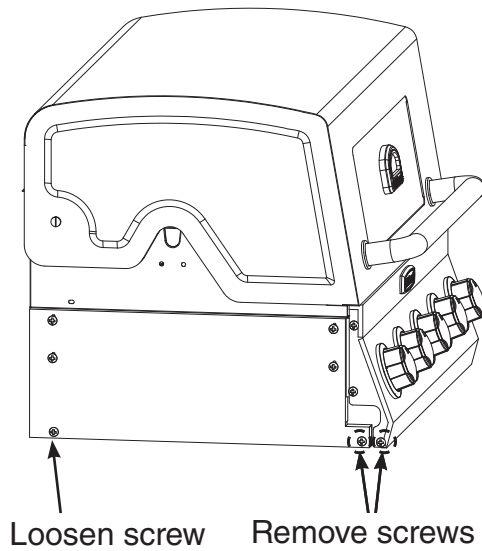
**LEFT SIDE**

**LEFT SIDE**

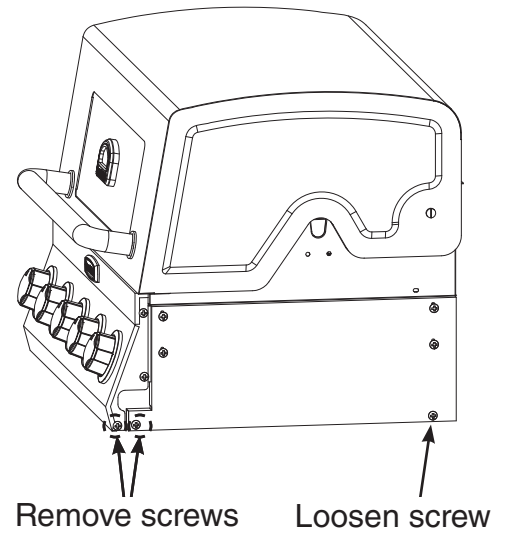
- Loosen screw
- Remove 2 screws

**RIGHT SIDE**

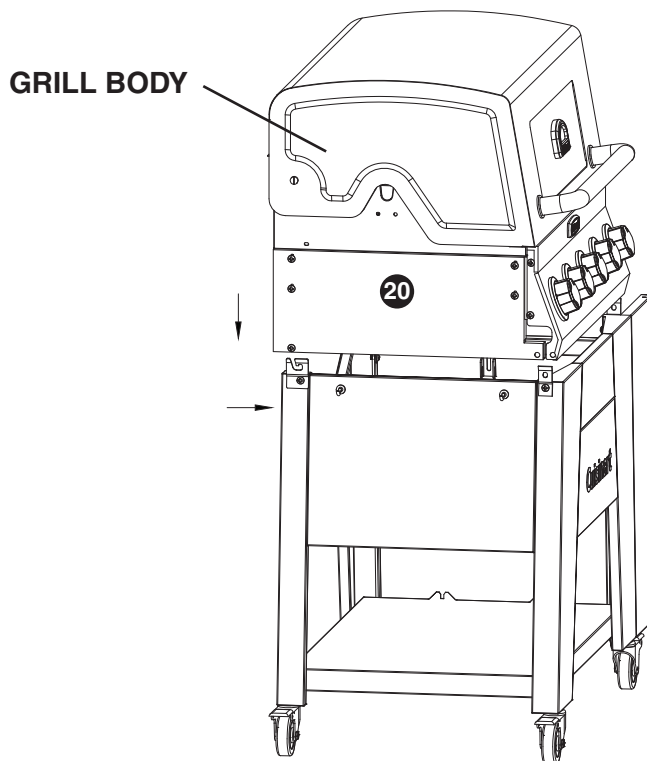
- Loosen screw
- Remove 2 screws



**RIGHT SIDE**

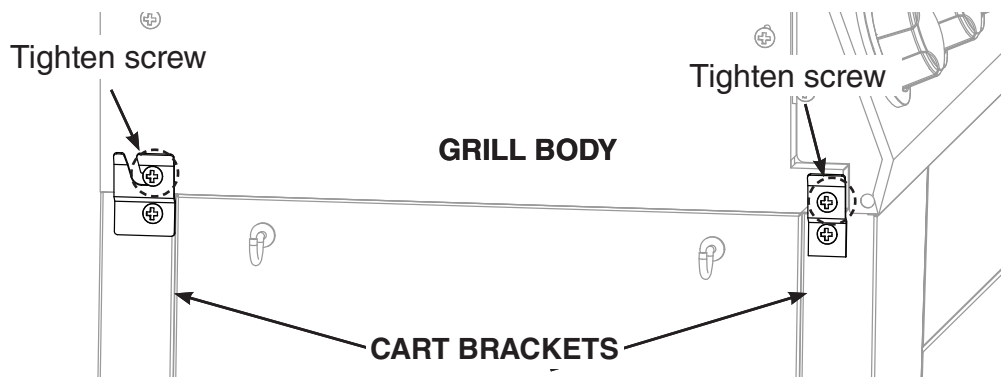


## Step 13



- Set **GRILL BODY 20** on cart
- Make sure screw drops into rear cart brackets
- Push **GRILL BODY 20** to front of cart

### LEFT SIDE



## Step 14

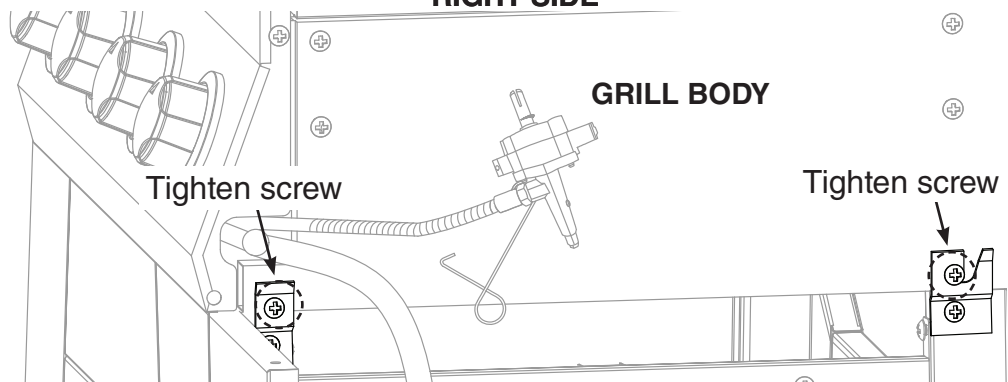
### LEFT SIDE

- Tighten 2 screws

### RIGHT SIDE

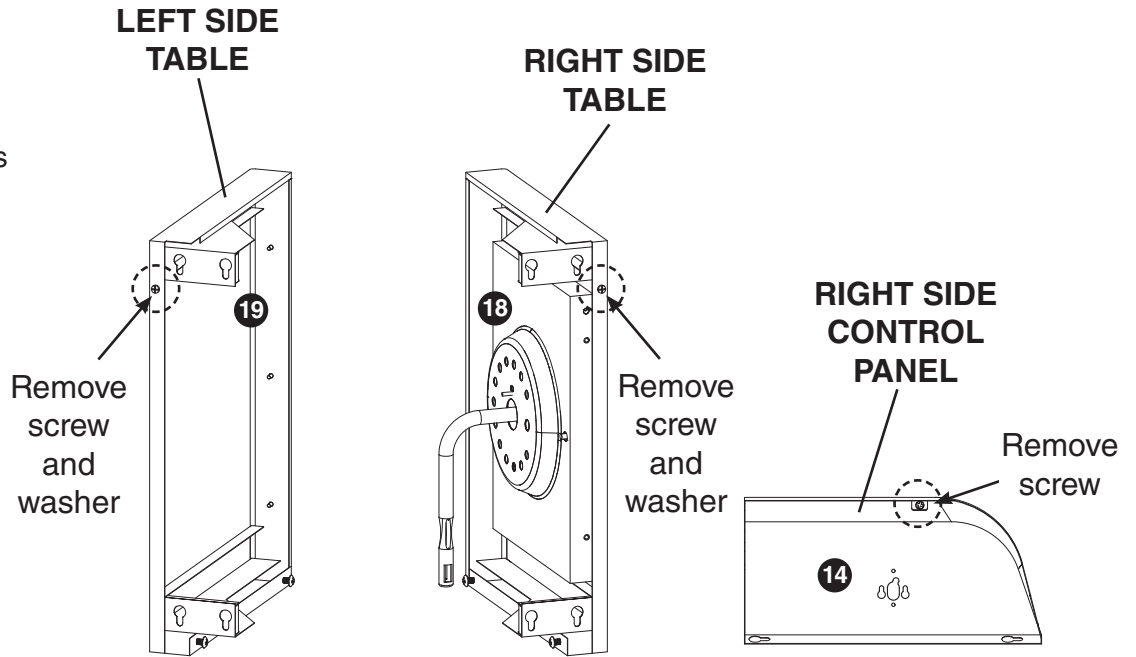
- Tighten 2 screws

### RIGHT SIDE



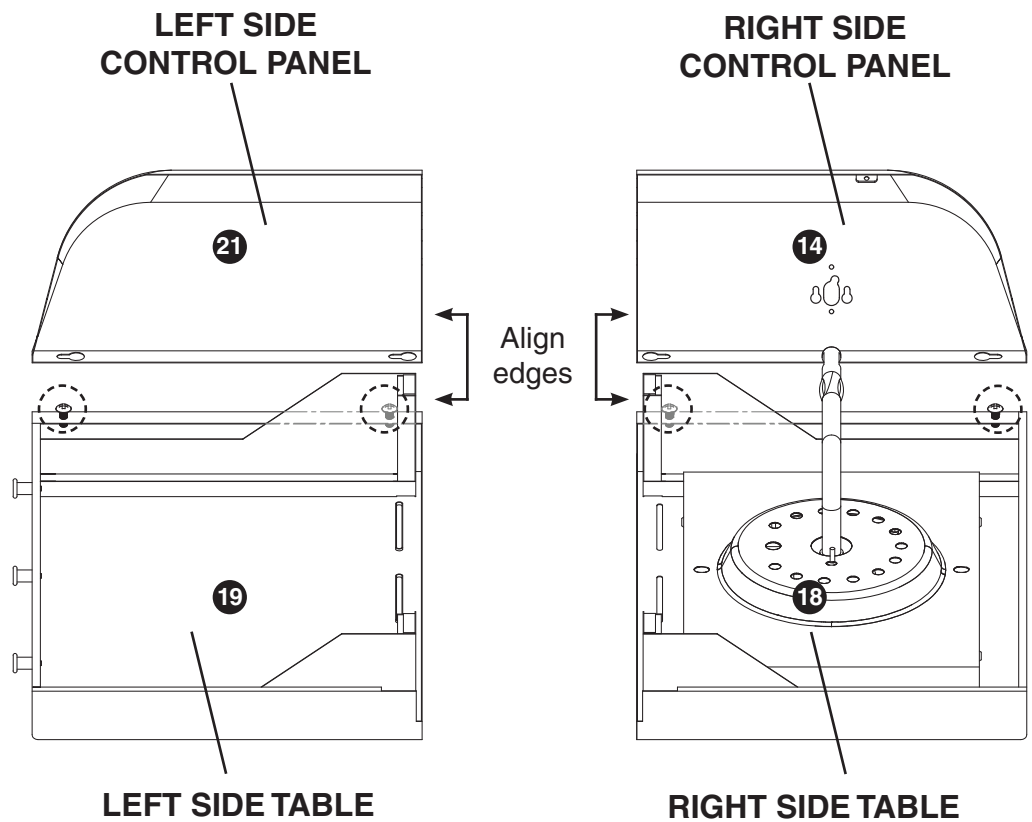
## Step 15

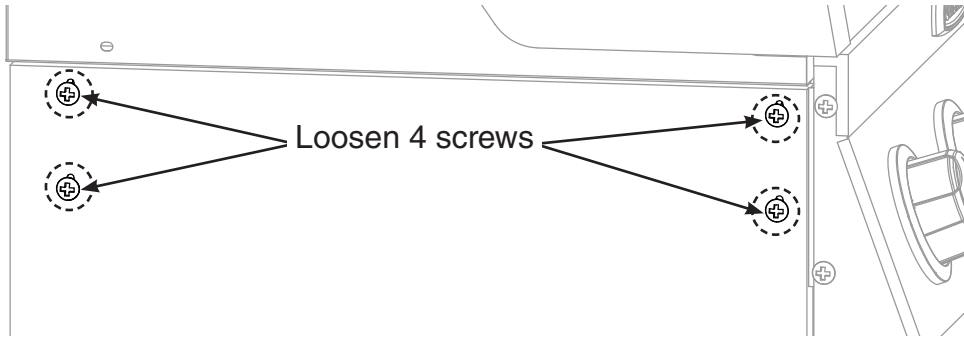
- Remove 3 screws and washers



## Step 16

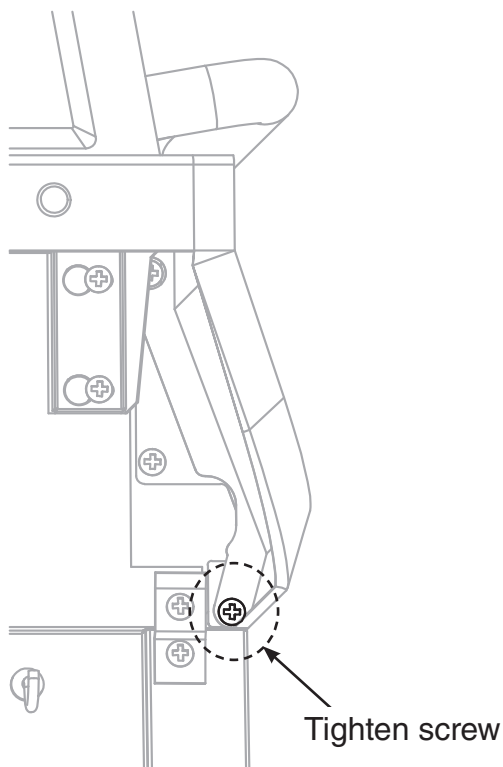
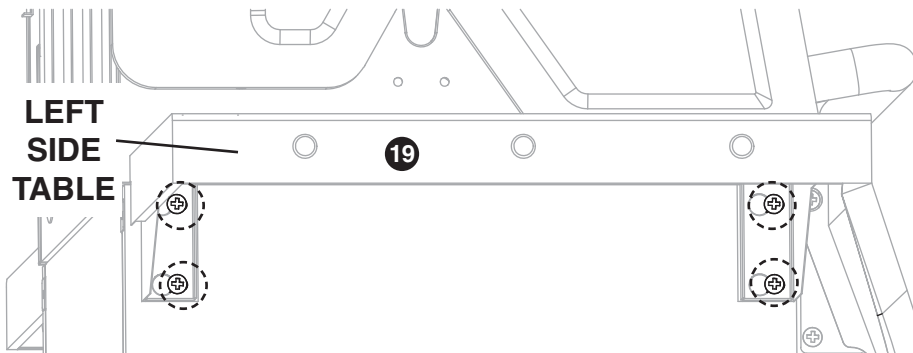
- Loosen 4 screws
- Attach parts and tighten screws





## Step 17

- Loosen 4 screws
- Attach **LEFT SIDE TABLE 19** using keyholes
- Do not tighten screws at this point in time

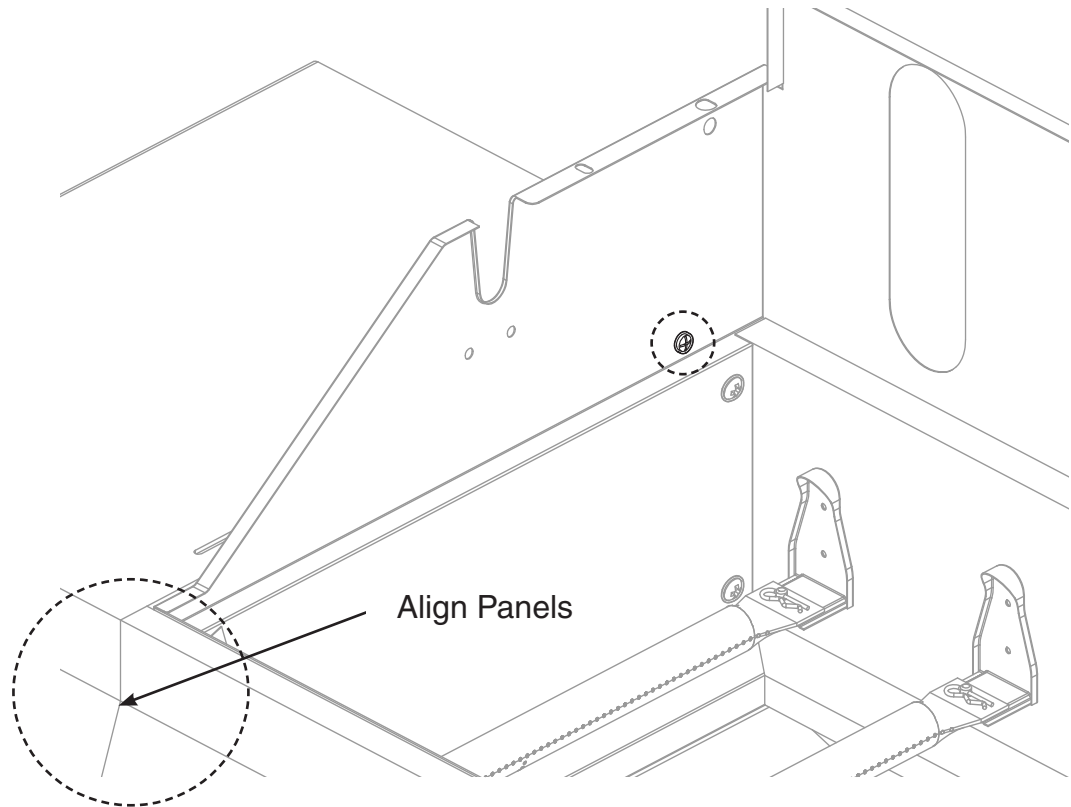


## Step 18

- Install screw and tighten (screw was removed in Step 12)

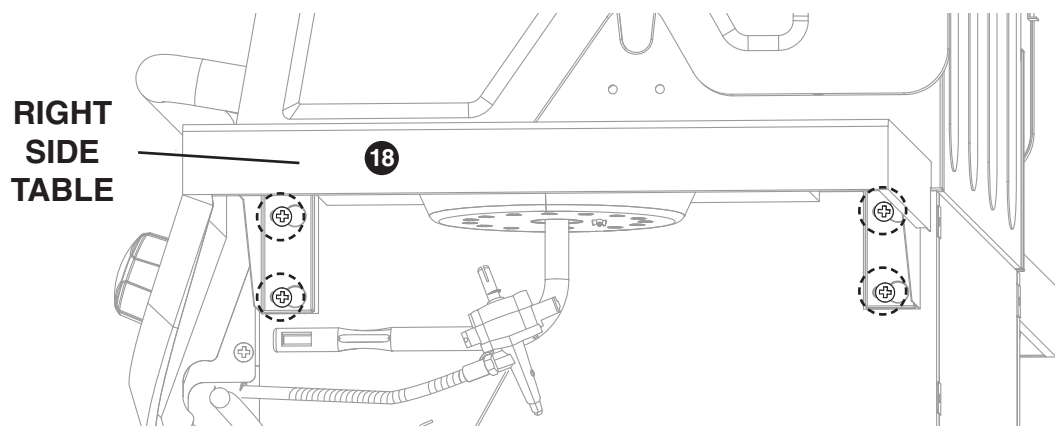
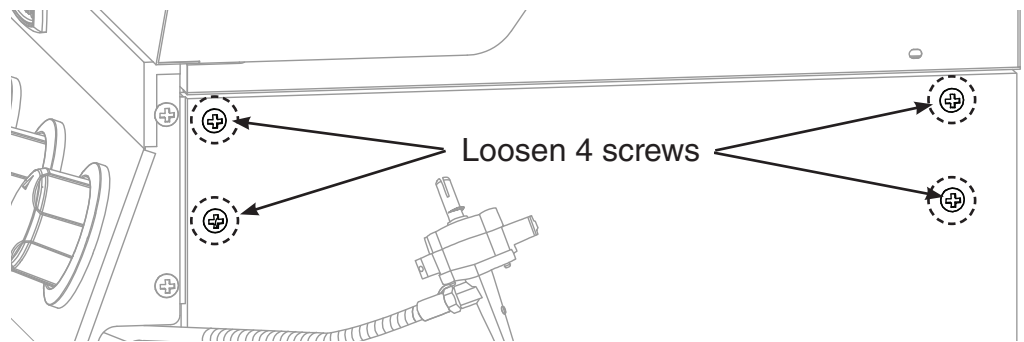
## Step 19

- Install screw and washer (screw and washer were removed in Step 15) Do not tighten screw at this time
- Make sure panels are aligned
- Tighten 5 screws from Steps 17 through 19



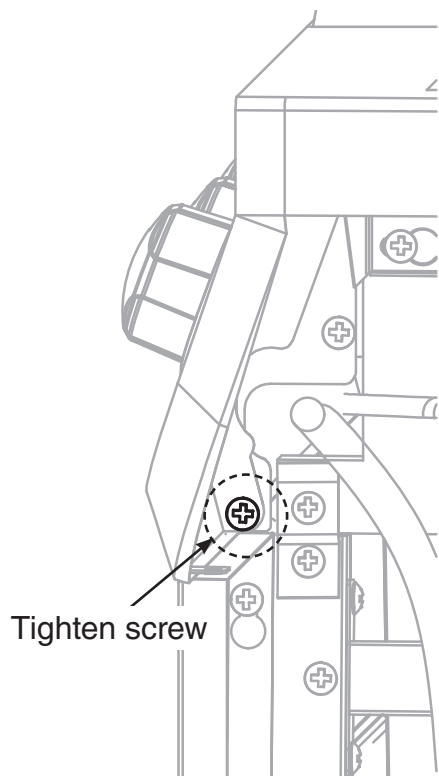
## Step 20

- Loosen 4 screws
- Attach **RIGHT SIDE TABLE 18** using keyholes Do not tighten 4 screws at this time.



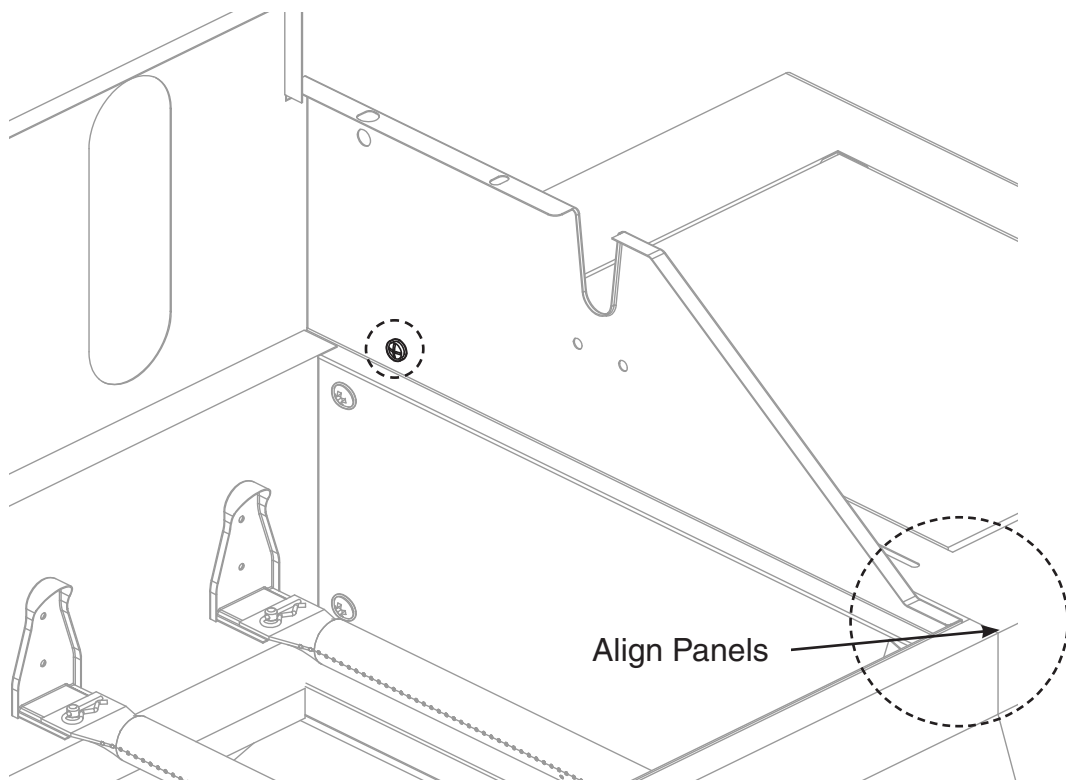
## Step 21

- Install screw and tighten (screw was removed in Step 12)



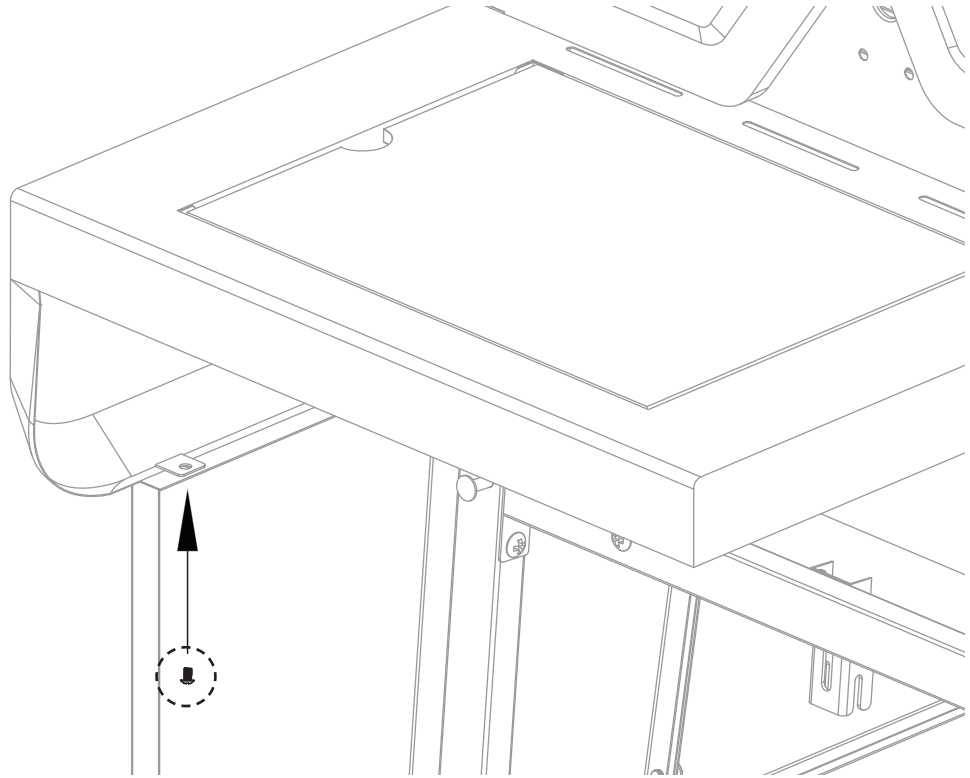
## Step 22

- Install screw and washer (screw and washer were removed in Step 15) Do not tighten screw at this time
- Make sure panels are aligned and tighten 5 screws from Steps 20 through 22



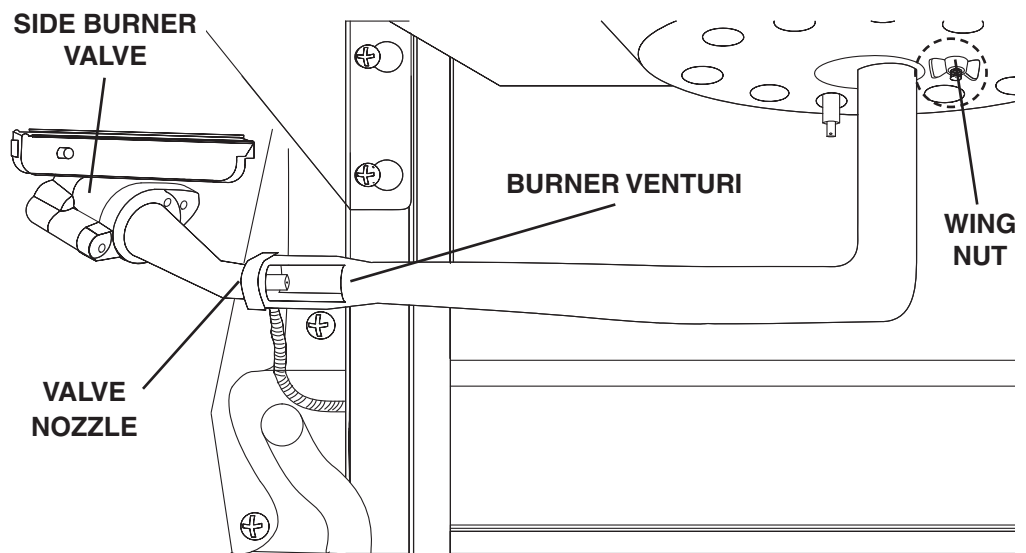
## Step 23

- Install screw (removed in Step 15)



## Step 24a

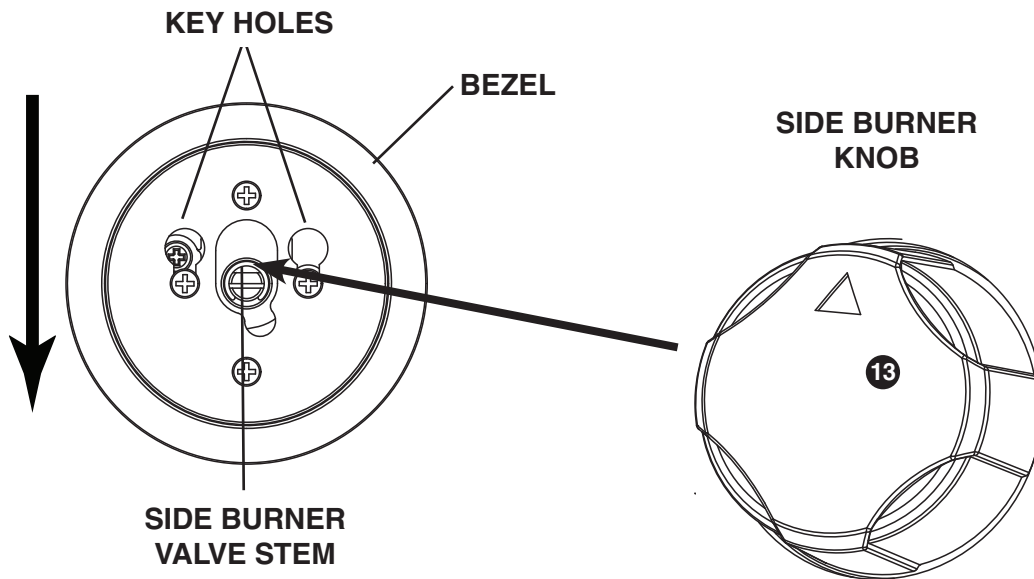
- Remove **WING NUT** and remove burner. Install **SIDE BURNER VALVE** in control panel
- Slide valve downward and tighten 2 screws to lock into place (see diagram step 24b below)
- Install burner and make sure **BURNER VENTURI** fits over **VALVE NOZZLE**
- Tighten **WING NUT**





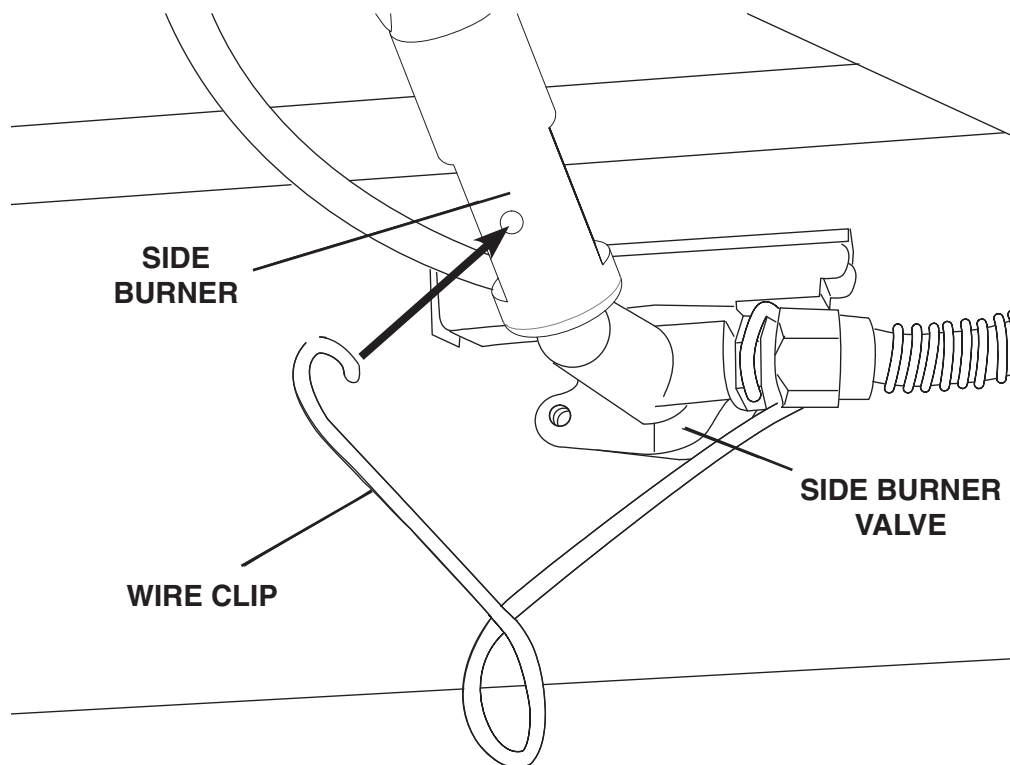
## Step 24b

- Install **SIDE BURNER KNOB 13**

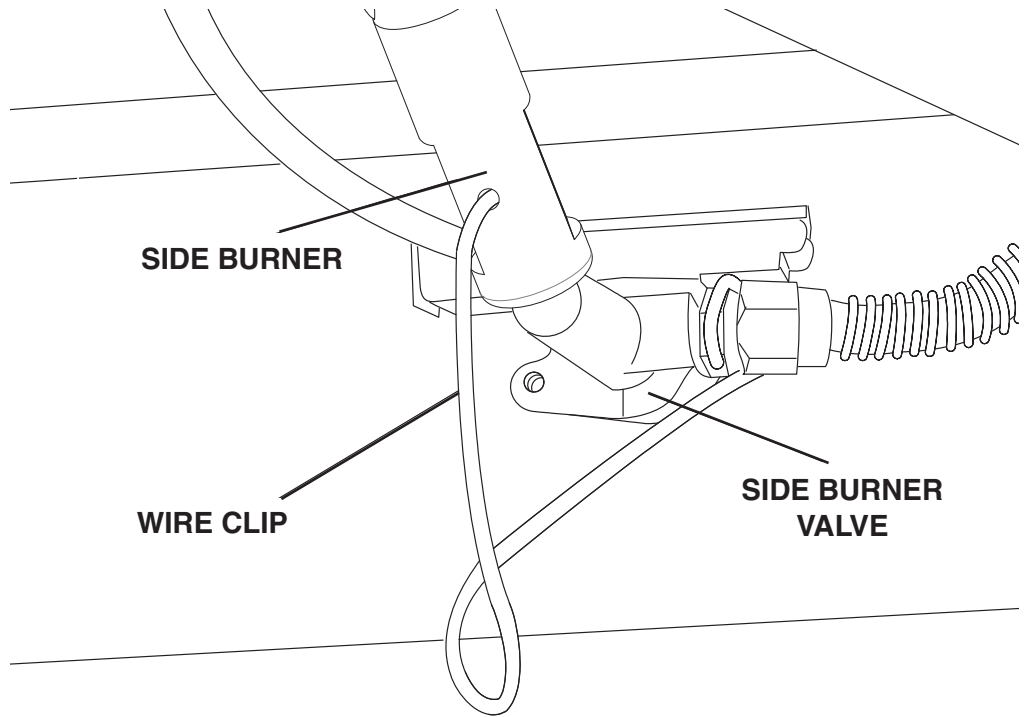


## Step 25a

- Attach **WIRE CLIP** to side burner

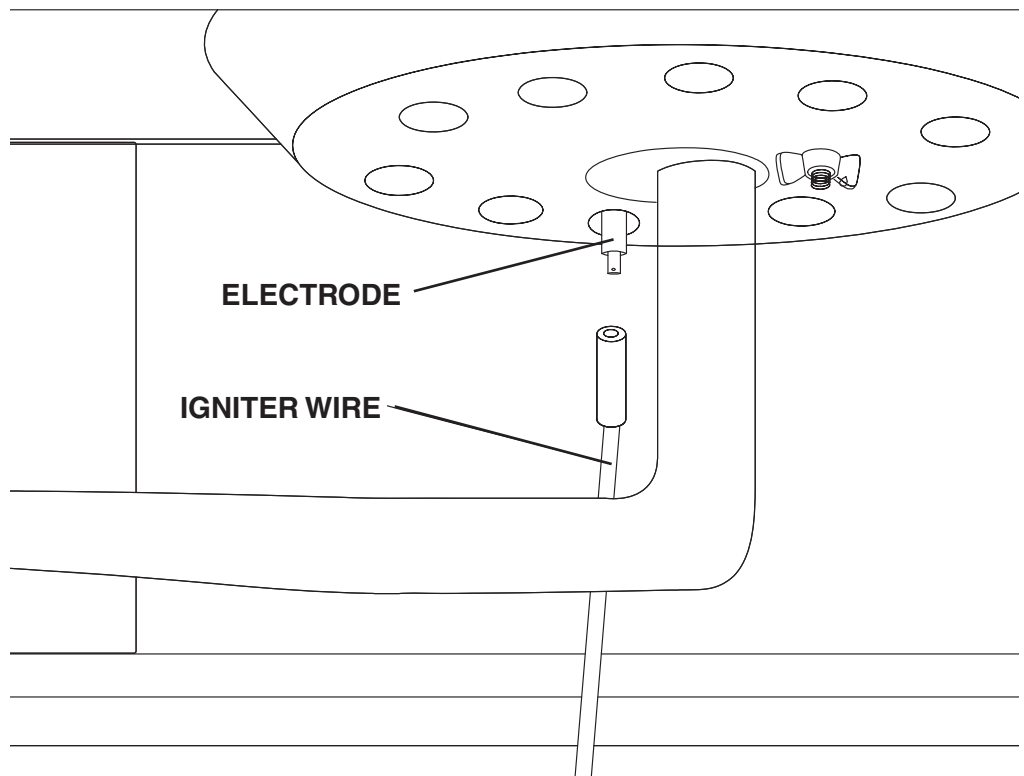


## Step 25b

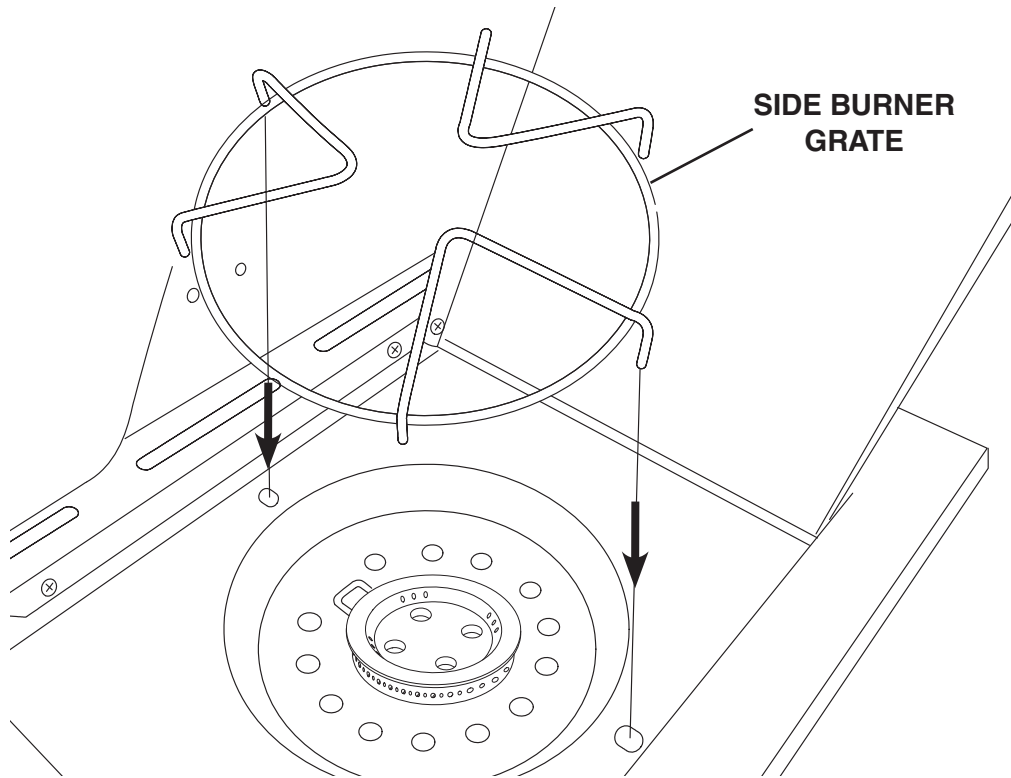


## Step 26

- Attach **IGNITOR WIRE** to **ELECTRODE**



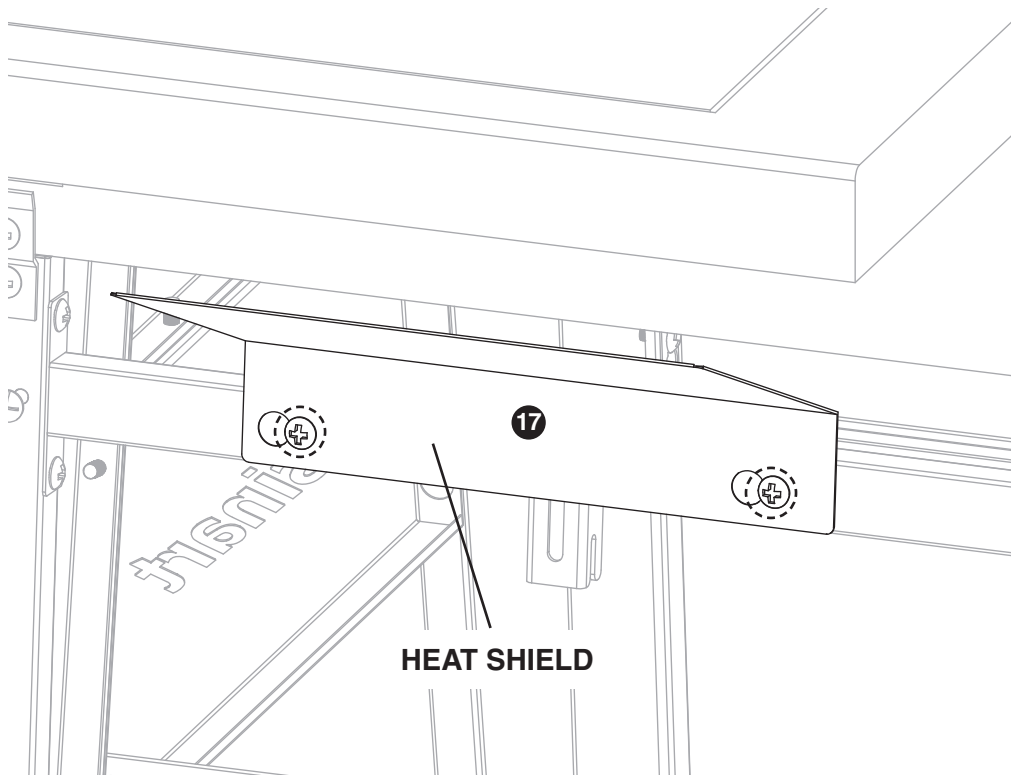
## Step 27



**SIDE BURNER  
GRATE**

- Install **SIDE BURNER GRATE**

## Step 28

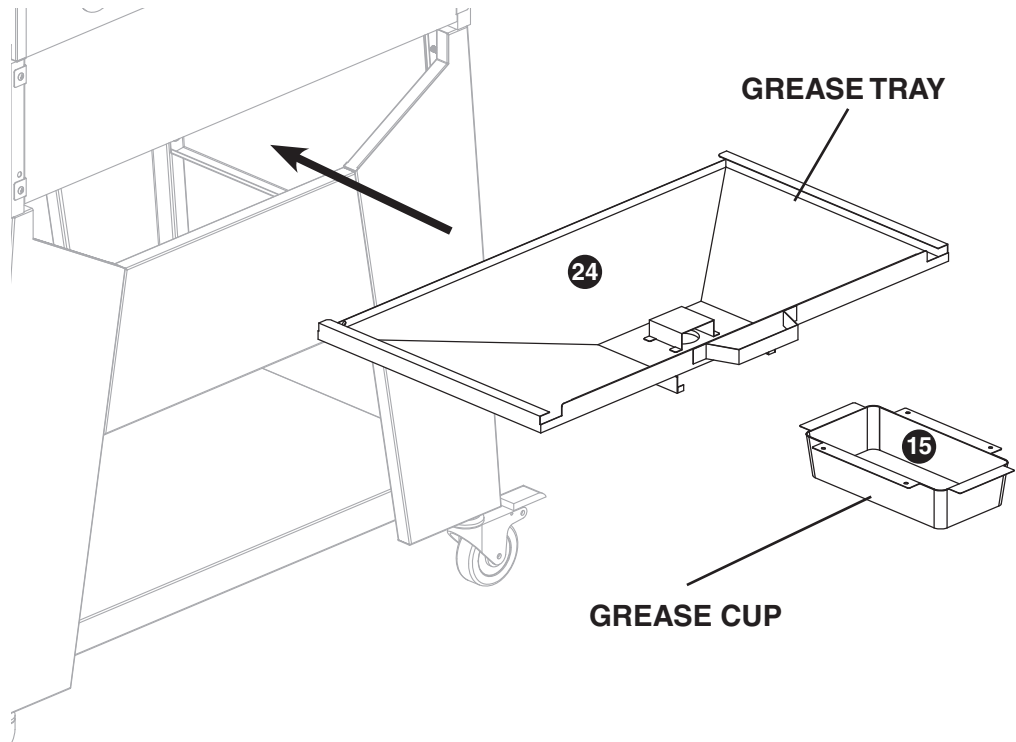


**HEAT SHIELD**

- Loosen 2 screws
- Attach **HEAT SHIELD 17** and tighten screws

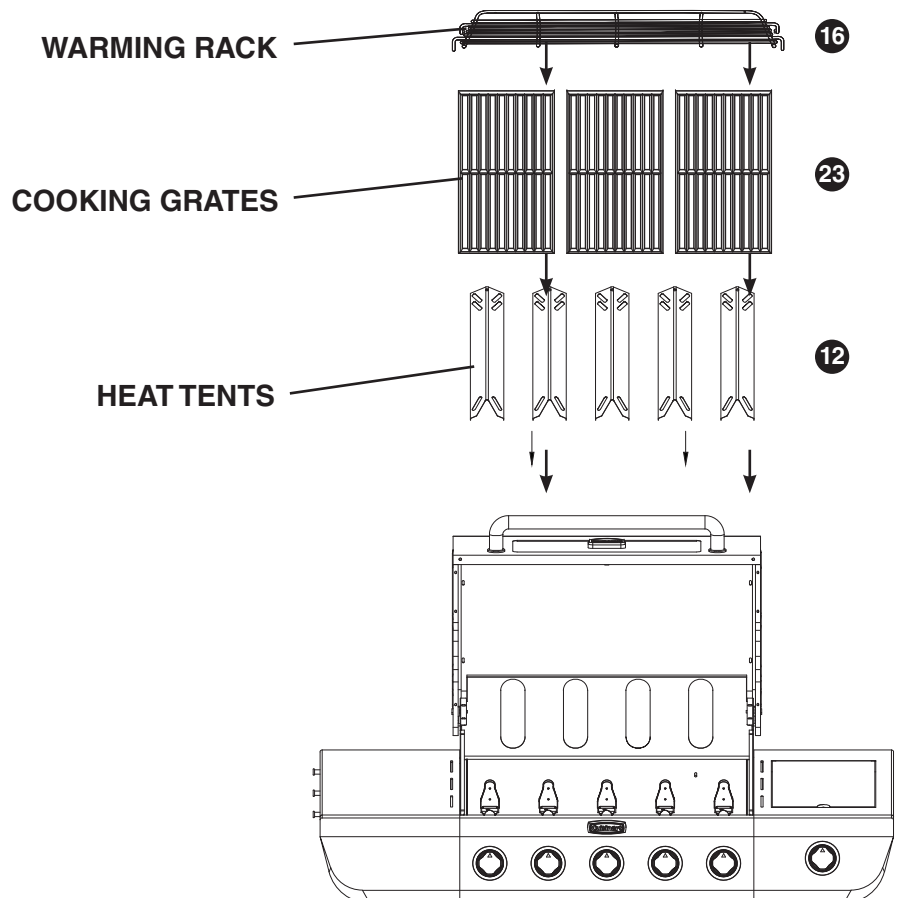
## Step 29

- Install **GREASE TRAY 24** and **GREASE CUP 15** through back of grill



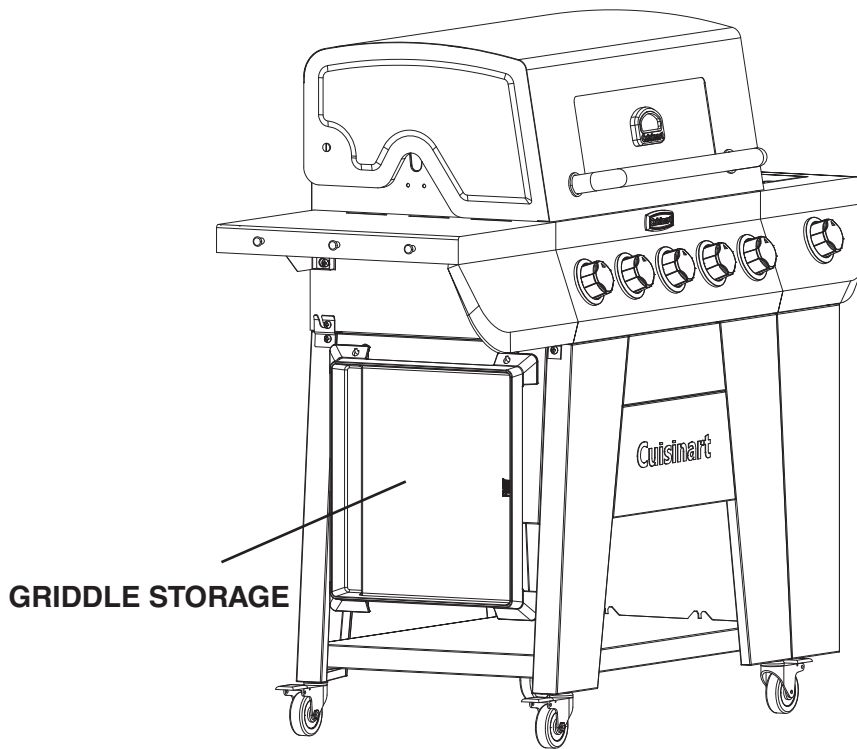
## Step 30

- Install **HEAT TENTS 12**, **COOKING GRATES 23** and **WARMING RACK 16**



## Step 31

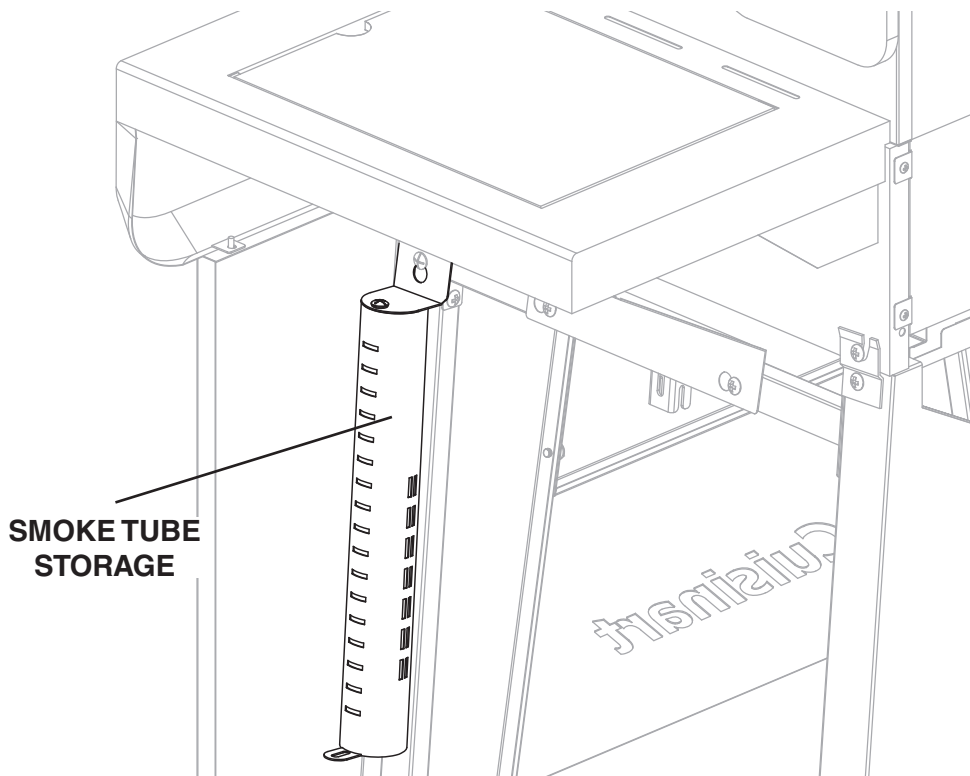
- Store **GRIDDLE** on **GRIDDLE HOOKS**



**GRIDDLE STORAGE**

## Step 32

- Store **SMOKE TUBE** on **SMOKE TUBE HOOKS**



**SMOKE TUBE STORAGE**

# Model GAS9556AS / GAS9556AS0 Assembled

