

This Owner's Manual is provided and hosted by [Appliance Factory Parts](#).



CUISINART GRSM4U Owner's Manual

[Shop genuine replacement parts for CUISINART
GRSM4U](#)



[Find Your CUISINART Grill Parts - Select From 152 Models](#)

----- Manual continues below -----



2 IN 1 GRILL & SANDWICH MAKER
GRSM4U

Cuisinart®

Congratulations on your purchase of the Cuisinart 2 In 1 Grill and Sandwich Maker.

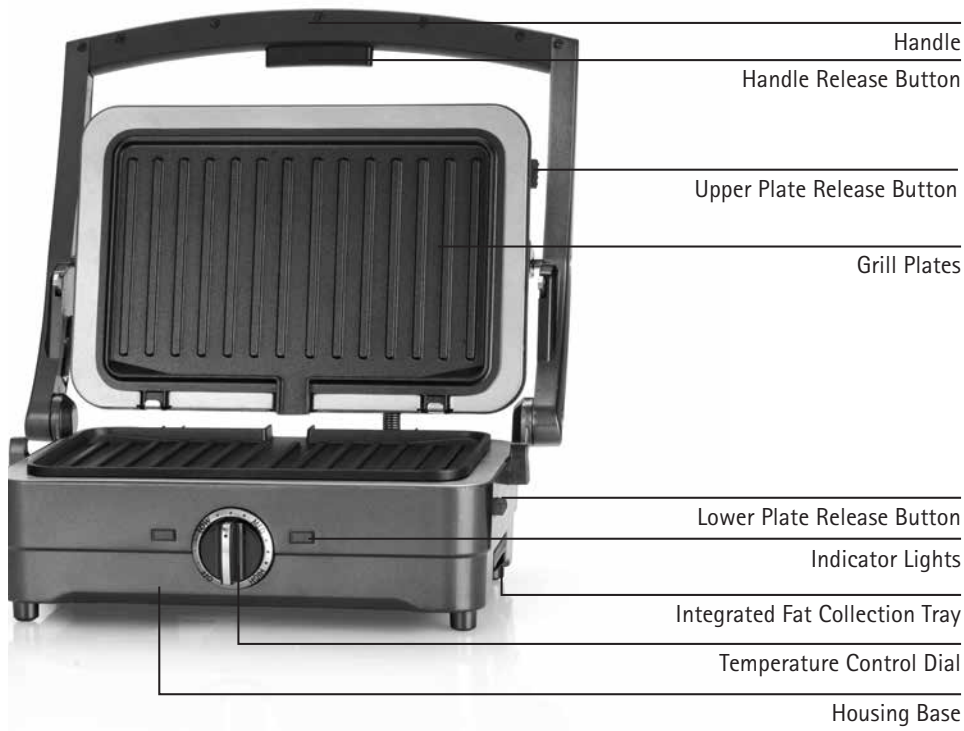
For over 30 years Cuisinart's aim has been to produce the very finest kitchen equipment. All Cuisinart products are engineered for exceptionally long-life, and designed to be easy to use as well as to give excellent performance day after day.

To learn more about our products and for recipe ideas visit our website www.cuisinart.co.uk

Contents

Product Description	5
Safety Cautions	6
Selecting the Plates.....	10
Fitting and Removing the Plates.....	11
Fitting and Removing the Integrated Drip Tray	12
Using the 2 in 1 Grill & Sandwich Maker.....	13
Cooking with the Grill Plates	14
Cooking with the Sandwich Plates	15
Cleaning & Maintenance	16
UK Guarantee.....	17
UK After Sales Service	18

Product Description



Important Safety Cautions

Carefully read all the instructions before using the appliance and keep in a safe place for future reference.

Always follow these safety cautions when using this appliance to avoid personal injury or damage to the appliance. This appliance should be used only as described within this instruction book. There is a risk of injury if the product is misused.

IMPORTANT SAFEGUARDS

CAUTION: BURN HAZARD



- **WARNING:** very hot surfaces.
- **DO NOT TOUCH** hot surfaces as possible injury could occur. Always use the handle.

- **THIS IS AN ATTENDED APPLIANCE.** Do not leave unattended during use, unplug after each use. Never leave the appliance unattended when switched on or plugged in.
- **IMPORTANT:** Use extra care when working with hot liquids to avoid injury from overflowing, steaming and splattering.
- Any adjacent furniture must be able to withstand a minimum temperature rise of 85°C above the ambient temperature of the room it is located in, whilst in use. This appliance requires 100mm clearance around the front, back and sides of the appliance and a minimum of 700mm between the cooking plate and the underside of any horizontal surface above it. Certain types of vinyl or laminate kitchen furniture are particularly prone to heat damage or discolouration at temperatures even below the guidelines given above. Any damage caused by the appliance being installed in contravention of these instructions will be at the liability of the owner. You should not use this appliance to store items on or as work surface.
- Do not use the grill near or under combustible materials like curtains or furniture.
- This appliance is not intended for use by persons with reduced physical,

sensory or mental capabilities, or lack of experience and knowledge, unless they have been given supervision or instruction concerning use of the appliance by a person responsible for their safety.

- Children should always be supervised to ensure that they do not play with this appliance.
- Not for use by children. Keep the appliance and its supply cord out of reach of children during and after use.
- This appliance is for indoor, domestic use only and is not intended to be used in applications such as: staff kitchen areas in shops, offices and other working environments; farm houses; by customers in hotels, motels and other residential type environments; bed and breakfast type establishments.
- Do not use the appliance if the supply cord is damaged. In the event of supply cord damage, discontinue use immediately. If the supply cord is damaged it must be replaced by the manufacturer. Return the appliance to the Customer Care Centre (refer to 'UK After Sales Service' section for further information). No repair must be attempted by the consumer.
- Do not wrap the supply cord around the main body of the appliance during or after use.
- Do not leave the supply cord hanging over the edge of a kitchen table or worktop.
- Do not allow the supply cord to come into contact with sources of heat.
- As the outer surfaces may get hot when the appliance is in use, take care not to allow the appliance surfaces to come into contact with other heat sensitive surfaces.
- Do not use metal utensils as this will damage the cooking plates.
- Always unplug the appliance from the mains outlet and allow to cool before cleaning.

ELECTRICAL SAFETY

- Always ensure the voltage to be used corresponds with the voltage on the appliance, this is indicated on the bottom of the housing.
- The appliance is not intended to be operated by means of external timer or separate remote control system.
- Always disconnect the appliance from the electric supply if it is left unattended and before assembling, disassembling or cleaning.
- Never pull the plug out of the mains socket by the supply cord.

- Always ensure that your hands are dry before touching the supply cord or removing the plug from the mains socket.

GENERAL SAFETY

- Ensure all packaging materials and any promotional labels or stickers are removed from the appliance before first use.
- Always inspect the appliance before use for noticeable signs of damage. Do not use if damaged, or if the appliance has been dropped. In the event of damage, or if the appliance develops a fault, contact the Cuisinart Customer Care Line (refer to "UK After Sales Service section" for further information).
- Before switching on the appliance ensure that the plates are correctly fitted and locked into position.
- Do not use the appliance for anything other than its intended use.
- Do not touch hot surfaces; use the handle whilst the appliance is switched on and during cooling time.
- Position the Grill on a stable, level, heat resistant surface near a power socket.
- Do not attempt to move or lift the 2 in 1 Grill & Sandwich Maker by the handle, when lifting the appliance ensure you fully support from underneath.
- Do not place anything on top of the appliance while it is operating or while it is hot.
- Do not wrap food in plastic film, polythene bags or metal foil during cooking. This may cause damage to the cooking plates and create a fire hazard.
- Do not use accessories or attachments with this appliance other than those recommended by Cuisinart.
- Do not place the appliance on or near a hot gas or electric burner or place in a heated oven.
- Never leave the appliance unattended when switched on or plugged in.
- Periodically check all parts before use. If any part is damaged DO NOT USE.
- To avoid injury or possible fire, do not cover the appliance when in use.
- To protect against fire, electric shock or personal injury, do not immerse the housing base, cord or plug in water or other liquids or place in a dishwasher.

- To disconnect, turn the control to the OFF setting and then remove the plug from the mains.
- Switch off and unplug the appliance after use.
- Unplug from the mains when not in use and before cleaning. Allow to cool completely before fitting or removing parts and before cleaning the appliance.
- We recommend carefully washing the plates by hand. If you wash the plates in a dishwasher place them on the top rack only.



WARNING: Polythene bags over the product or packaging may be dangerous. To avoid danger of suffocation, keep away from babies and children. These bags are not toys.

This product complies fully with all appropriate EU and UK legislation and the standards relevant to this type and class of appliance. We are an ISO9001:2015 certified company that continually evaluates our Quality Management System performance. If you have any queries regarding product safety and compliance, please contact our Customer Services Department (see "U.K. After Sales Service" section).



Disposing of electrical and electronic appliances at the end-of-life

■ This symbol on the product or on the packaging indicates that this product may not be treated as household waste. Instead it should be handed over to the appliance collection point for the recycling of electrical and electronic equipment. By ensuring this product is disposed of correctly you will help prevent potential negative consequences for the environment and human health which could otherwise be caused by inappropriate waste handling of the product. For more detailed information about the recycling of this product, please contact your local council office or your household waste disposal service.

Before First Use

Before using your 2 in 1 Grill & Sandwich Maker for the first time, ensure all packaging is removed and clean the grill and sandwich plates (see Cleaning & Maintenance section).

Selecting the Plates

Before you begin, select which plates are best suited for the food you wish to cook.

Grill Plates

The ribbed grill plates can be used as a contact grill or as a panini press. They are perfect for succulent burgers, seared steaks, café style paninis and delicious vegetables.

Sandwich Plates

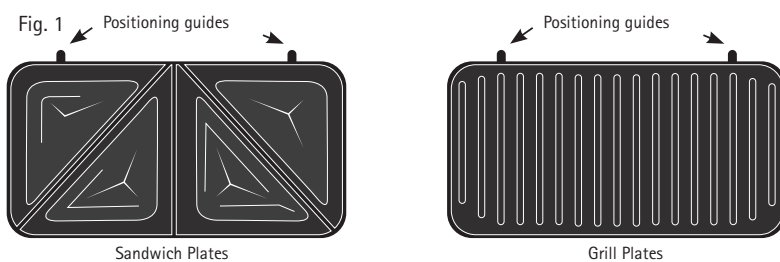
The extra large, deep pocketed plates enable you to create delicious deep filled sandwiches with perfectly sealed edges and no spills. When in sandwich mode, the locking handle ensures even browning every time.

In addition to sandwiches, the sandwich plates are also perfect for omelettes, calzones, quesadillas, fruit pastries, French toast and much more.

Fitting & Removing The Plates

Fitting the Plates

- Ensure the product is switched off and is fully cooled down.
- Select either the grill or sandwich plates.
- Position the unit so that the controls are facing towards you.
- Press the handle release button and lift the handle to fully open the product.
- Align the two cut outs at the back of the plate (see Fig. 1) with the brackets on the bottom of the housing base. Tilt the plate and slide it underneath the bracket.
- Push down the front end of the plate until it locks into place. To lock plate more easily, it's recommended to press plate release button when fit the plate.
- Repeat with the second plate.



Removing the Plates

- Ensure the product is switched off and is fully cooled down. Always allow the appliance to cool for at least 30 minutes before removing the plates.
- Locate the plate release buttons which can be found on the right side of the units upper and lower housing (see Fig. 2). Press the upper release button firmly, upper plate will slightly loosen for taking away from top cover. Lift the plate up and slide out from under the brackets in the centre.

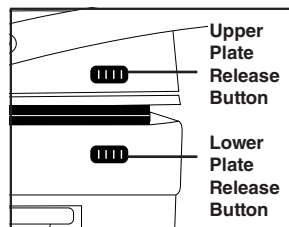


Fig. 2

- Repeat by pressing the lower release button and releasing the lower plate.
- The plates can be hand washed or cleaned in the dishwasher after use.

Fitting and Removing the Integrated Drip Tray

The 2 In 1 Grill & Sandwich Maker has a clever fat drainage system. Fat is drained via a small recess at the rear of the plates, allowing fat and grease to drip down into the integrated tray.

To insert the drip tray, insert it into the slot on the right side of the lower housing. (see Fig. 3). To remove the drip tray, simply slide the tray out of the slot. Grease should be disposed of safely after cooking. The drip tray can be washed in the dishwasher.

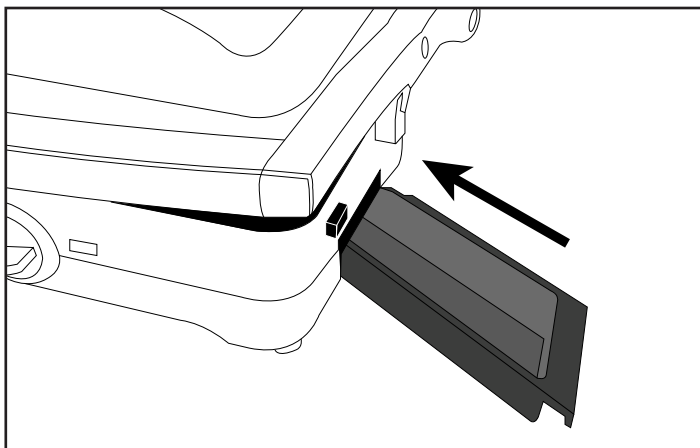


Fig. 3

Using the 2 in 1 Grill & Sandwich Maker

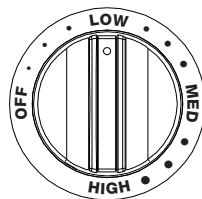
Once you have fitted the plates and integrated drip tray, you are ready to start using the 2 in 1 Grill & Sandwich Maker.

Preheating the Appliance

For optimum results, always preheat the unit completely before using.

- Plug the unit into a suitable mains socket.
- Although the plates have a non-stick coating, we recommend that you prepare the plates with cooking spray or oil. If using oil, apply with a paper towel or pastry brush.
- Close the lid and turn the temperature control dial to the desired setting for cooking; Low, Medium or High.

N.B. Adjust the temperature according to the food. For example, when in grill mode use high heat for searing meats, but low heat on more delicate foods such as prawns, vegetables or fruits.



- When the dial is in place a red light will illuminate on the front of the appliance to indicate that the power is on, and the appliance is heating up.
- Once the appliance has reached the optimal temperature, the green light will illuminate to indicate the appliance is ready to cook.

Using the handle

The handle is designed to lock when used in sandwich mode.

To open the grill/sandwich maker, grasp the handle, pressing in the handle release button as you lift the lid upwards.

To close the grill/sandwich maker, push the handle downwards.

Cooking with the Grill Plates

- Preheat the appliance, until the green indicator illuminates.
- Place the food on the bottom plate and lower the lid.
- The floating hinge design means that the space between the upper and lower plate adjusts to the thickness of your food (see fig. 4).

N.B. You can apply light pressure using the handle to press whilst cooking to lock in flavour. When cooking more than one item at a time, try to ensure the thickness of the food is consistent to ensure even cooking for each piece of food.

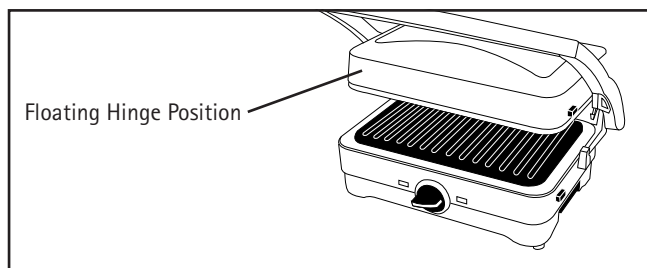


Fig. 4

- After placing your food on the grill, it may take a few seconds for the green light to switch off. This is normal.
- The green light runs on a thermostat and indicates when the product is up to temperature. As part of the cooking cycle the light will go on and off during this process. You will need to assess if the food is cooked by lifting the lid. The green light does not indicate when food is cooked.
- When you are happy the food is cooked, remove it with the scraping tool or a heat-proof plastic spatula.

IMPORTANT: Never use metal utensils, as they may damage the non-stick coating.

- Once you have finished cooking, turn the dial to the 'OFF' position and unplug the power cord from the mains. Allow the appliance to cool for at least 30 minutes before handling.

N.B. When using the appliance for the first time, there may be a slight odour and the unit may smoke a little. This is normal and common for appliances with a non-stick surface.

Cooking with the Sandwich Plates

- Preheat the appliance, until the green indicator illuminates.
- Place the food on the lower sandwich plate and close the handle. You will hear a click when it locks securely.

N.B. It is important to lock the plates in sandwich mode to ensure your sandwich seals properly.

- It may take a few seconds for the green light to switch off. This is normal.
- The green light runs on a thermostat and indicates when the product is up to temperature. As part of the cooking cycle the light will go on and off during this process. You will need to assess if the food is cooked by firmly pressing the release button and lifting the lid.
- When you are happy the food is cooked, remove it by gently loosening the edges with the scraping tool or a heat-proof plastic spatula.

IMPORTANT: Never use metal utensils, as they may damage the non-stick coating.

- Once you have finished cooking, turn the selector to the 'OFF' position and unplug the power cord from the mains. Allow the appliance to cool for at least 30 minutes before handling.

N.B. When using the appliance for the first time, there may be a slight odour and the unit may smoke a little. This is normal and common for appliances with a non-stick surface.

Cleaning & Maintenance

- Before first use and after every use, clean each part thoroughly.
- Once you have finished cooking, turn the dial control to the 'OFF' position and unplug the power cord from the mains and allow the appliance to cool for at least 30 minutes before handling.
- When cold use the scraping tool to remove any leftover food from the cooking plates. The scraping tool can be washed by hand or in the dishwasher.
- Dispose of grease from the drip tray. The drip tray can be cleaned by hand or in the dishwasher.
- The cooking plates can be washed by hand or in the dishwasher. Do not use metallic objects such as knives when cleaning. This will damage the non-stick coating. Use wooden or heatproof plastic utensils only.
- If you have been cooking seafood, wipe the cooking plate with lemon juice to prevent seafood flavour transferring to the next recipe.
- The housing base, cover and control knobs can be wiped clean with a soft, dry cloth. For tough stains dampen cloth. Never use an abrasive cleaner or harsh pad.
- In between recipes, scrape excess food build up, then wipe off any residue with a paper towel before proceeding with the next recipe.
- Never leave plastic utensils in contact with the hot grill plate.
- Make sure all the parts are clean and dry before storing.
- Never wrap the cord around the outside of the unit.
- Never immerse the plug, lead or housing in water or any other liquid.

UK Guarantee

The Conair Group Ltd, Unit 3 Waterfront Business Park, Fleet, GU51 3TW

This appliance is guaranteed for consumer use for 5 years and is only valid within the United Kingdom.

This guarantee covers consumer use only i.e. defects occurring under normal use within the home from date of purchase or date of delivery, whichever is later.

If the product develops a fault due to defects in materials or manufacture **within 12 months** from the date of purchase, to avoid delays and unnecessary inconvenience, where possible please return the product to the point of purchase for an exchange.

If the product develops a fault due to defects in materials or manufacture **after 12 months** from the date of purchase, and within the guarantee period, Conair UK After Sales Service will repair or replace the product.

Exclusions

This guarantee will no longer be valid meaning that The Conair Group Ltd will not be liable to repair or replace your product where:

1. The appliance has been used on a voltage supply other than that which is marked on the product, or advised within this instruction booklet
2. The appliance has been purchased from an unauthorised stockist*
3. The appliance is used for professional / non domestic usage
4. Repairs or alterations have been attempted by unauthorised persons
5. The failure of the appliance is a direct result of misuse
6. The failure is a result of not following the instructions for use

This guarantee does not cover any cosmetic damage due to misuse of the product nor any damage to persons or property that occurs because of product misuse.

*unauthorised stockists include, but are not limited to online auction sites, private sellers and those selling second hand goods, refurbished products etc

Please contact the Conair Customer Care Line on 03702 406902 (09:00

to 17:00 Monday to Friday) or email support@cuisinart.co.uk for further information on authorised stockists.

It is important to retain your proof of purchase. We recommend attaching your receipt to this page.

Even where a refund may be applicable, no refund will be provided without a valid receipt or proof of purchase, we will only be able to offer a repair or replacement service. Please note this does not apply if the product was purchased directly from The Conair Group Ltd.

Guarantees on replacement products run from the original purchase date or date of delivery, whichever is later, and **not** from the date of replacement.

This guarantee is an additional benefit and does not affect your statutory rights as a consumer.

If you have any queries regarding this guarantee please contact the Conair Customer Care Line on 03702 406 902 (09:00 to 17:00 Monday to Friday) or email your enquiry to support@cuisinart.co.uk

UK After Sales Service

For further advice on using the appliance or should you need to return your product, please contact the Conair Customer Care Line on 03702 406 902 (09:00 to 17:00 Monday to Friday) or email your enquiry to support@cuisinart.co.uk

Return address:

Customer Care Centre
Conair Logistics
Unit 4, Revolution Park
Buckshaw Avenue
Buckshaw Village
Chorley
PR7 7DW

Please enclose your returns number, name and address details, together with a copy of proof of purchase and details of the fault.

Please note this Instruction Booklet is not the guarantee.

www.cuisinart.co.uk

IB-20/245