

This Owner's Manual is provided and hosted by [Appliance Factory Parts](#).



# APRILAIRE 3310 Owner's Manual

[Shop genuine replacement parts for APRILAIRE 3310](#)



[Find Your APRILAIRE Air Cleaner Parts - Select From 29 Models](#)

----- Manual continues below -----

## ⚠ WARNING

1. High voltage may cause serious injury from electrical shock. Disconnect power to the furnace/air handler before starting installation.
2. Sharp edges may cause injury from cuts. Use care when cutting and handling sheet metal.

## ⚠ CAUTION

1. To prevent component failure, do not install the air cleaner on the warm air supply or in an area where the temperature may exceed 140°F. This may include areas above heat exchangers in downflow furnaces or above exhaust flues in lowboy furnace cold air returns.
2. Installation must be done by a qualified heating and air conditioning professional. Read instructions thoroughly before beginning installation.
3. Do not install air cleaner downstream of a UV light. UV lamps will cause degradation of the filtering media.

## SPECIFICATIONS

**Airflow Capacity:** up to 2000 CFM maximum

**Replacement Media:**

- 1210, 2210, 3210: Model 210 or 213 with SelfSeal™
- 1310, 2310, 3210: Model 310 or 313 with SelfSeal™
- 1410, 2410, 3410: Model 410 or 413 with SelfSeal™

**Max. Equipment Weight:**

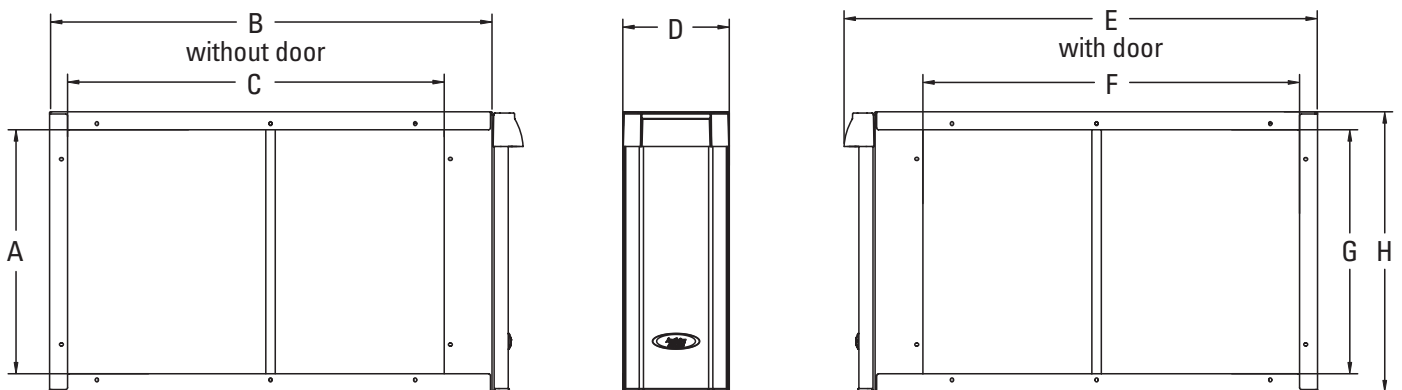
Cabinet will support 400 lb. static load

**Air Cleaner Operating Environment:**

Temperature: 0°F – 140°F

Humidity: 0-90% non-condensing

## DIMENSIONS



90-1333

TABLE 1 – Dimensions (inches)

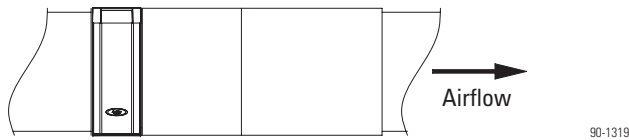
Model	A	B	C	D	E	F	G	H
<b>1210, 2210, 3210</b>	19-3/4	25-3/8	21-3/16	6-3/4	27-3/8	21-3/16	19-3/4	22-1/16
<b>1310, 2310, 3310</b>	18-1/16	20-1/16	15-7/8	6-3/4	22-1/16	15-7/8	18-1/16	20-3/8
<b>1410, 2410, 3410</b>	15-7/16	28-1/16	23-7/8	6-3/4	30-1/16	23-7/8	15-7/16	17-3/4

# INSTALL THE AIR CLEANER CABINET

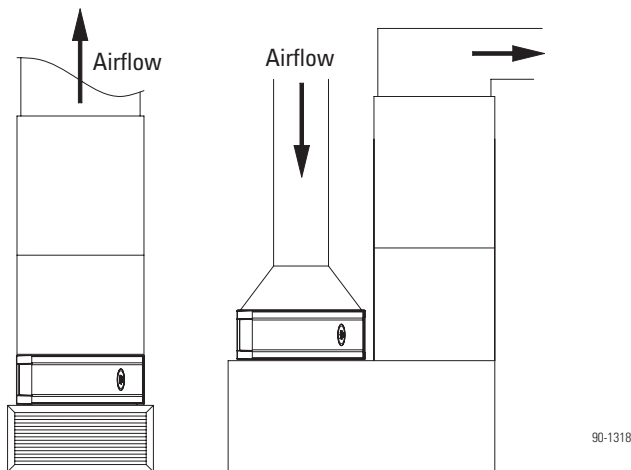
## LOCATING THE AIR CLEANER

1. Leave sufficient space in front of the air cleaner for the removal of the filtering media (see **Figure 1**).
2. **DO NOT INSTALL DOWNSTREAM OF A UV LIGHT.** UV lamps will cause degradation of the filtering media.
3. **Figures 2-4** show typical applications.

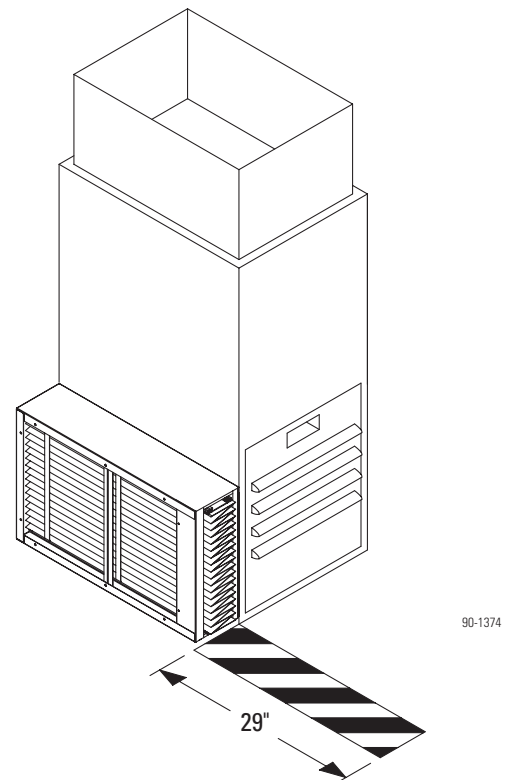
**FIGURE 2 – Horizontal Installation**



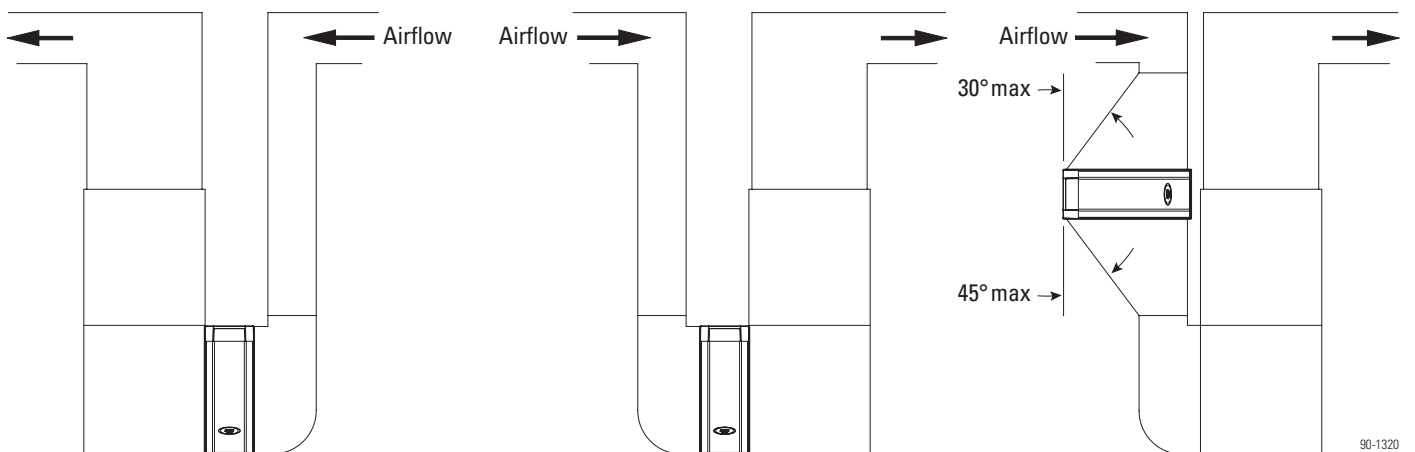
**FIGURE 3 – Highboy Installation**



**FIGURE 1 – Filtering Media Clearance**



**FIGURE 4 – Highboy Upflow Installation**



## INSTALLATION

1. Disconnect power to the furnace or air handler at the electrical service panel.

### WARNING

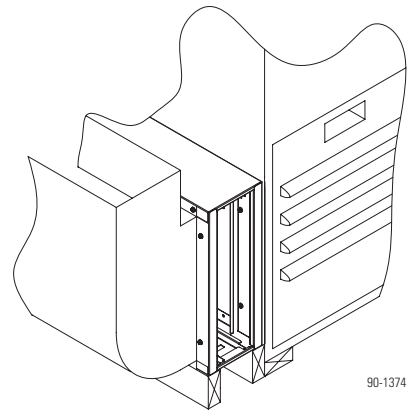
**120 Volts may cause serious injury from electrical shock. Disconnect power to the furnace/air handler before starting installation. Leave power disconnected until installation is completed.**

2. Remove the air cleaner door from the outer housing and pull out the filtering media.
3. If replacing an existing filter, remove the filter and thoroughly clean the blower compartment.
4. Use screws (field supplied) to mount the outer housing to the furnace/air handler.  
There is no inlet or outlet side on the outer housing (the outer housing can be mounted on the left or right side of the furnace/air handler).

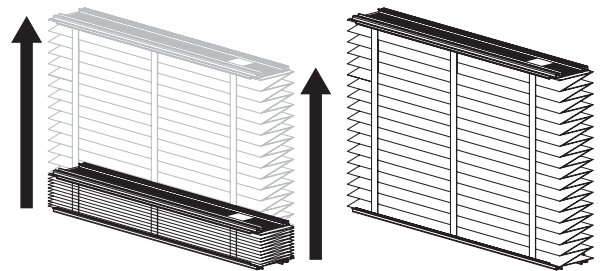
**NOTE FOR UPFLOW INSTALLATIONS:** Provide support under the outer housing to ensure the quality of the seals (see **Figure 5**).

5. Mount the return ductwork to the outer housing.
6. Seal all connections using mastic, foil tape or silicone based caulk.
7. Install the filtering media (see **Figure 6**).
8. Install the door.
9. Reconnect power to the furnace or air handler at the electrical service panel.

**FIGURE 5**

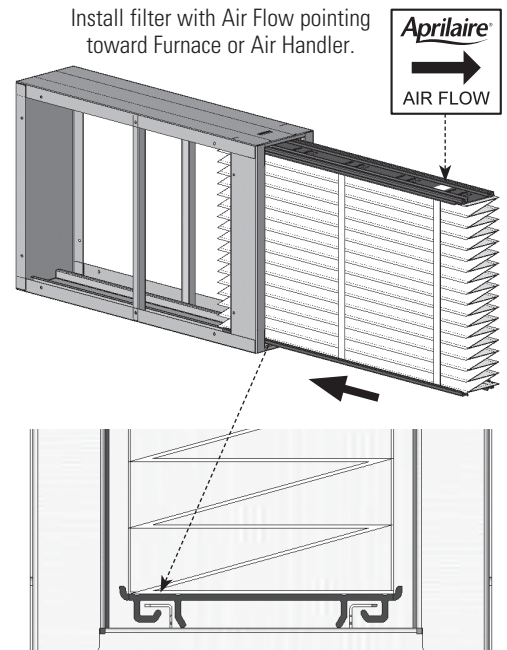


**FIGURE 6**



**Expand clean filter.**

Install filter with Air Flow pointing toward Furnace or Air Handler.



**Align filter in top and bottom rails and slide into place. Reinstall door.**



P.O. Box 1467 • Madison, WI 53701-1467 • Phone: 800/334-6011 • Fax: 608/257-4357 • [www.aprilairepartners.com](http://www.aprilairepartners.com)

10009757 1.12  
BZ701229A

Printed in U.S.A.  
© 2012 Aprilaire – A division of Research Products Corporation