

This Owner's Manual is provided and hosted by [Appliance Factory Parts](#).



DCS BFGC-30BGD-N Owner's Manual

[Shop genuine replacement parts for DCS
BFGC-30BGD-N](#)



[Find Your DCS Grill Parts - Select From 274 Models](#)

----- Manual continues below -----

DCS

LIBERTY DUAL SIDE BURNER/GRIDDLE

BFGC-30BGD-N DCS

PRODUCT CODE: 71474-A

PARTS MANUAL

US CA

| | |
|---------------|------------------------|
| Brand: | DCS by Fisher & Paykel |
| Voltage: | 9V Battery |
| Model: | BFGC-30BGD-N DCS US CA |
| Product Code: | 71474-A |

Models

- The model covered by this manual is listed on the front cover.
- The information detailed in this manual is subject to change without notice. The latest version is indicated by the reprint date and replaces any earlier editions.

Kit Parts

Kit components are shown in *italics*. Where a part number is shown against the descriptions for these kit components, they are also available as separate items. In addition, some parts may be supplied with these kits that are not available as separate items, and are therefore either not listed, or a part number is not shown against the part description in this manual.

Parts List Key

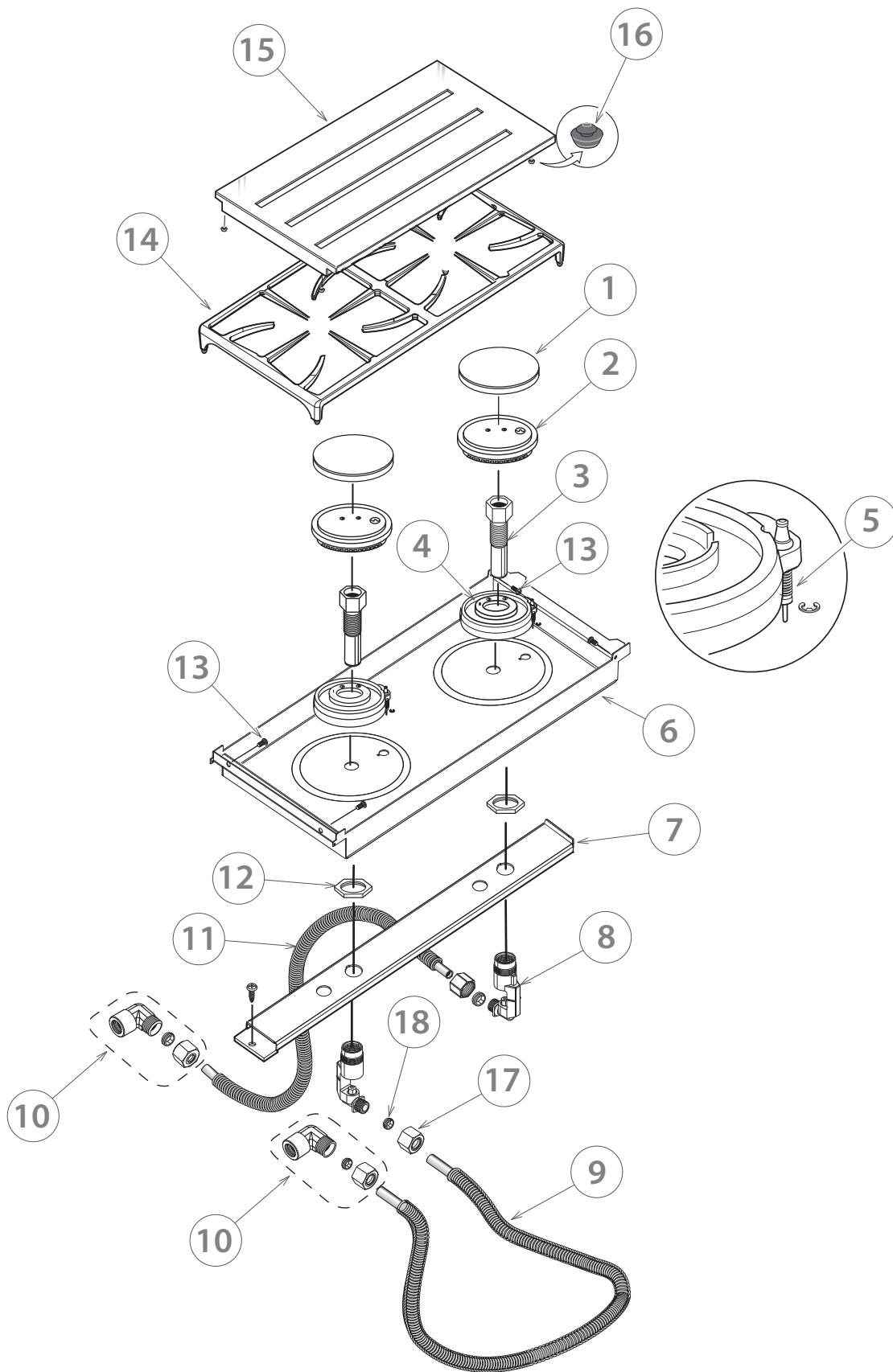
| | |
|----------------|---|
| <i>italics</i> | Kit components or parts included are shown in italics. Refer to above notes: Kit Parts. |
| NS | As a part reference, indicates the part is not serviceable. |
| NI | As a part reference, indicates the part is not illustrated on the diagram. |
| NOT USED | As a part number, indicates the diagram part reference is not used in this manual. |

| | |
|-------------------------------|----|
| DOUBLE SIDE BURNER COMPONENTS | 3 |
| VALVE PANEL COMPONENTS | 5 |
| MANIFOLD COMPONENTS | 7 |
| GRIDDLE COMPONENTS | 9 |
| STRUCTURE COMPONENTS | 11 |

Fisher & Paykel Appliances Inc.
DCS Customer Care
695 Town Center Drive, Suite 180
Costa Mesa,
CA 92626-1902
USA

Customer Care: 1-888-936-7872
Fax: (714) 372-7003
email: customer.care@fisherpaykel.com
www.dcsappliances.com

3 DOUBLE SIDE BURNER COMPONENTS

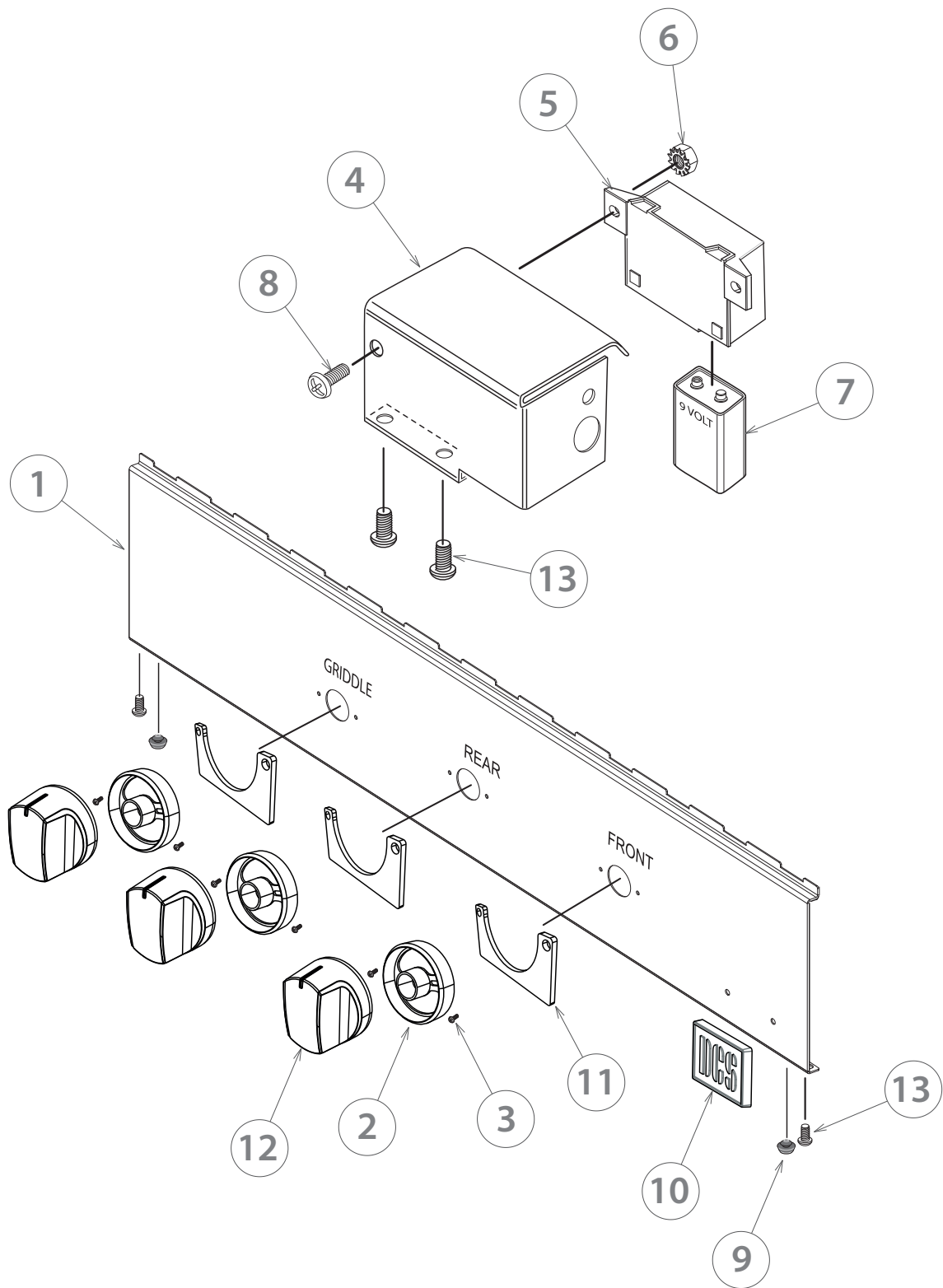


DOUBLE SIDE BURNER COMPONENTS

| REF. | PART NUMBER | PART DESCRIPTION |
|------|-----------------|---|
| 1 | 210608 | D BURNER CAP |
| 2 | 250353 | RING PORT E-BURNER |
| 3 | 210643 | VENTURI SINGLE FLOW BURNER |
| 4 | 210639 | 12321D BURNER DCS |
| 5 | 217994 | KIT, IGNITER, SPRING & CLIP |
| 6 | 240190 | BURNER PAN BFG |
| 7 | 240049 | BURNER HANGER |
| 8 | 210536 | JET HOLDER D 17 K NG |
| 9 | 240206 | FLEX TUBE 5/16, S.S., 12" |
| 10 | 212396 | ELBOW 1/8" NPT X 5/16 TOD |
| 11 | 240207 | FLEX TUBE 5/16, S.S., 22" |
| 12 | 210468P | NUT M22 JET HOLDER (PKD) |
| 13 | 211242P | MS 10-24 X 1/2 PH PN TY F SS (10 PK) |
| 14 | 210645 | GRATE BGB 132 |
| 15 | 240225 | COVER ASSY, COOKTOP 30 |
| 16 | 212359 | RUBBER BUMPER |
| 17 | 212312P | B-NUT 5/16 (10-PK) |
| 18 | 212313P | SLEEVES 5/16 (10-PK) |
| NI | 590850 | BOOKSET LIBERTY GRILL DCS USCA |
| | <i>Includes</i> | <i>BK USR/INSTL LIB'TY GRL DCS US</i> |
| | <i>Includes</i> | <i>BK SERVICE & WARRANTY DCS USCA</i> |

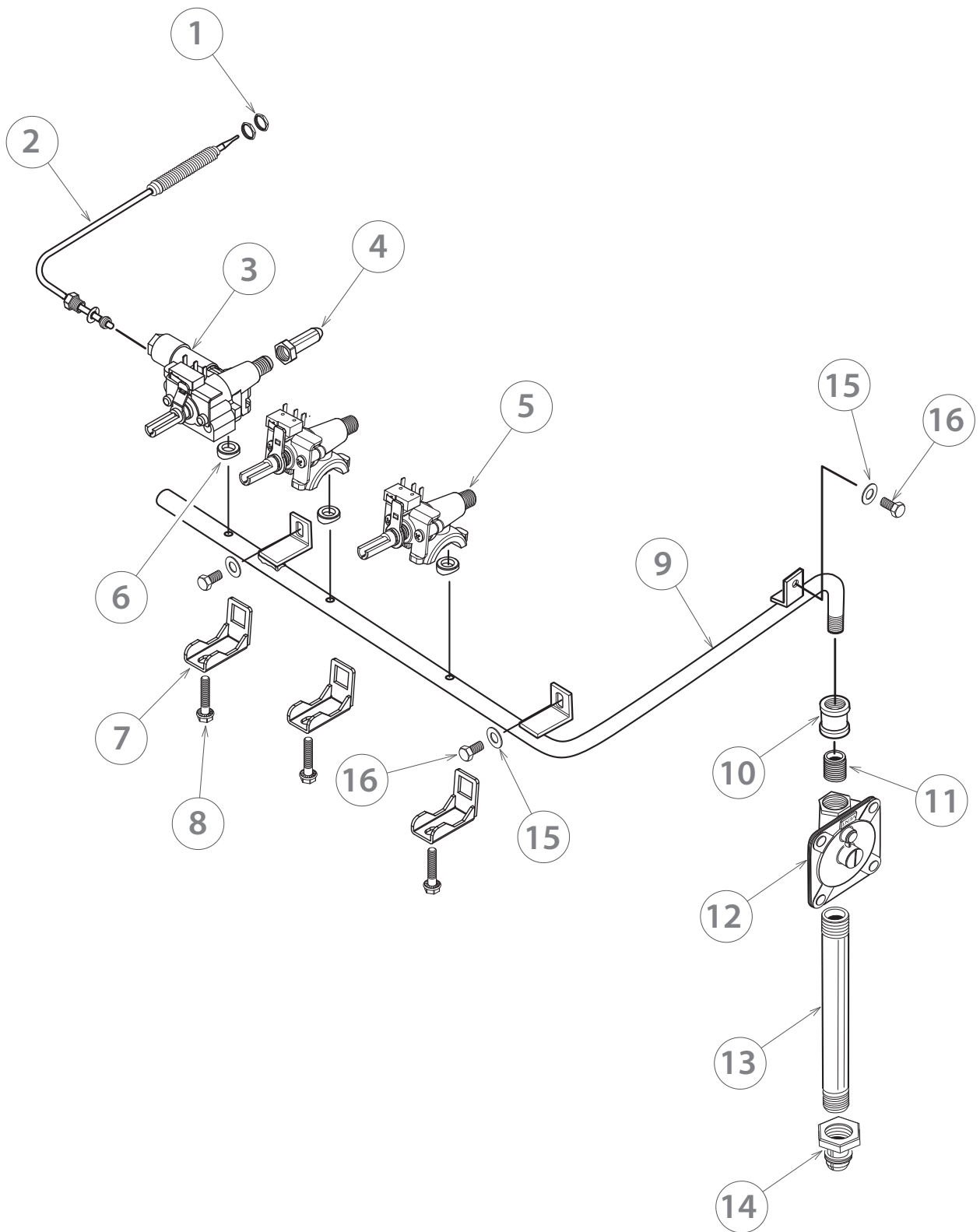


5 VALVE PANEL COMPONENTS



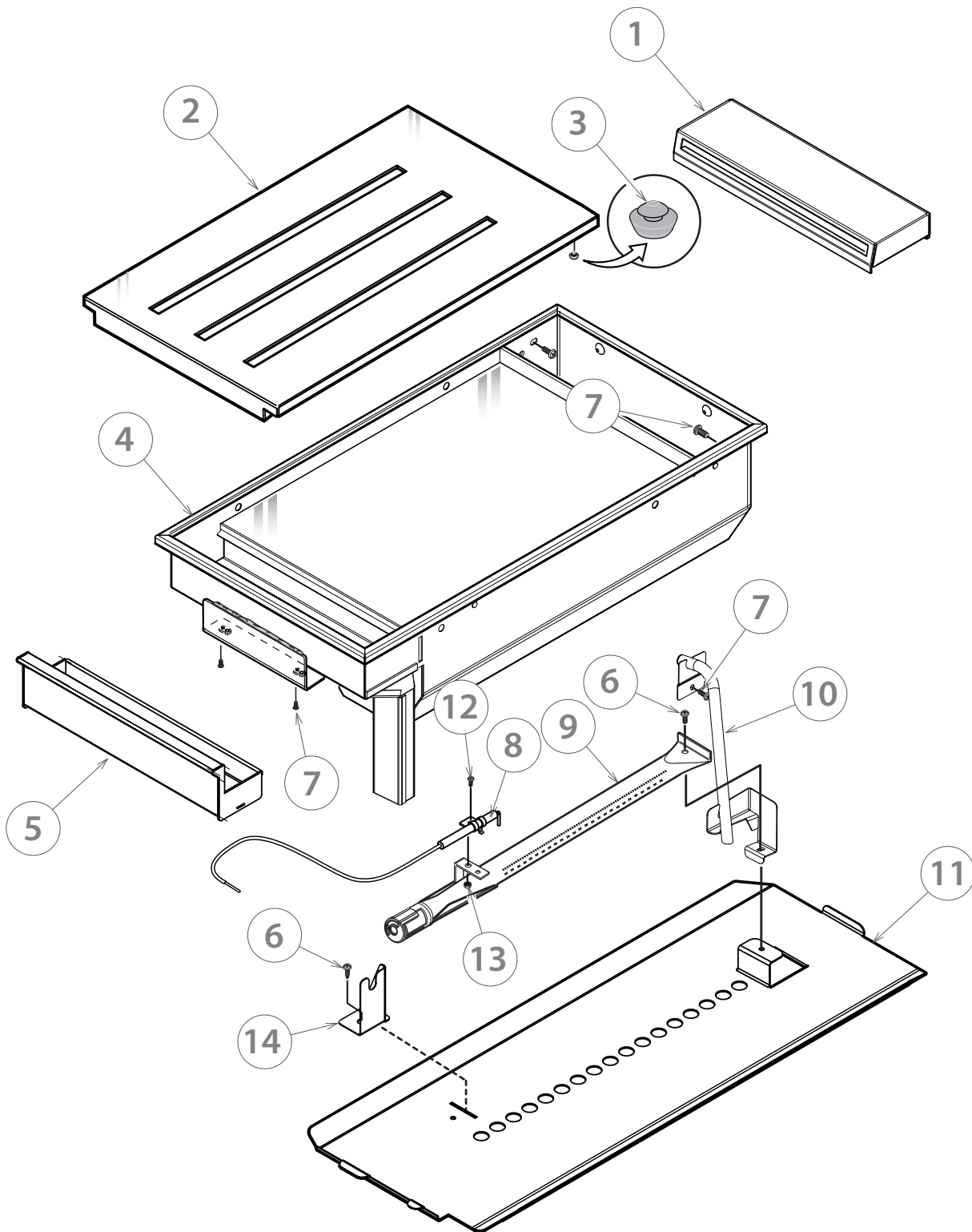
| REF. | PART NUMBER | PART DESCRIPTION |
|------|-------------|--------------------------------------|
| 1 | 254682P | VALVE PNL BFGC-30BGD PTD B SP |
| NI | 218132 | SM10-24X1/2PH TRU TY23 4SS |
| 2 | 250745 | BEZEL GRILL DCS |
| 3 | 211248P | SMS 6-32 X 3/8 PH PN TY F SS (10 PK) |
| 4 | 250922 | HOUSING IGNITION MODULE BFGC-30 W/A |
| 5 | 212333 | BATTERY IGN MODULE 9V ELTEC 4 |
| 6 | 211480P | NUT 8-32 KEPS SS (10 PK) |
| 7 | 212337 | BATTERY ALKALINE 9V |
| 8 | 211295P | MS 8-32X1/2 PH TR HD SS (PK10) |
| 9 | 212359 | RUBBER BUMPER |
| 10 | 254586 | BADGE DCS 65 X 36 W/ PIN |
| NI | 211419P | LOGO - CLIP (2 PACK) |
| 11 | 250789 | PLATE BEZEL SUPPORT BGC |
| 12 | 250777 | DIAL GRILL DCS ASSY |
| 13 | 211242P | MS 10-24 X 1/2 PH PN TY F SS (10 PK) |

7 MANIFOLD COMPONENTS



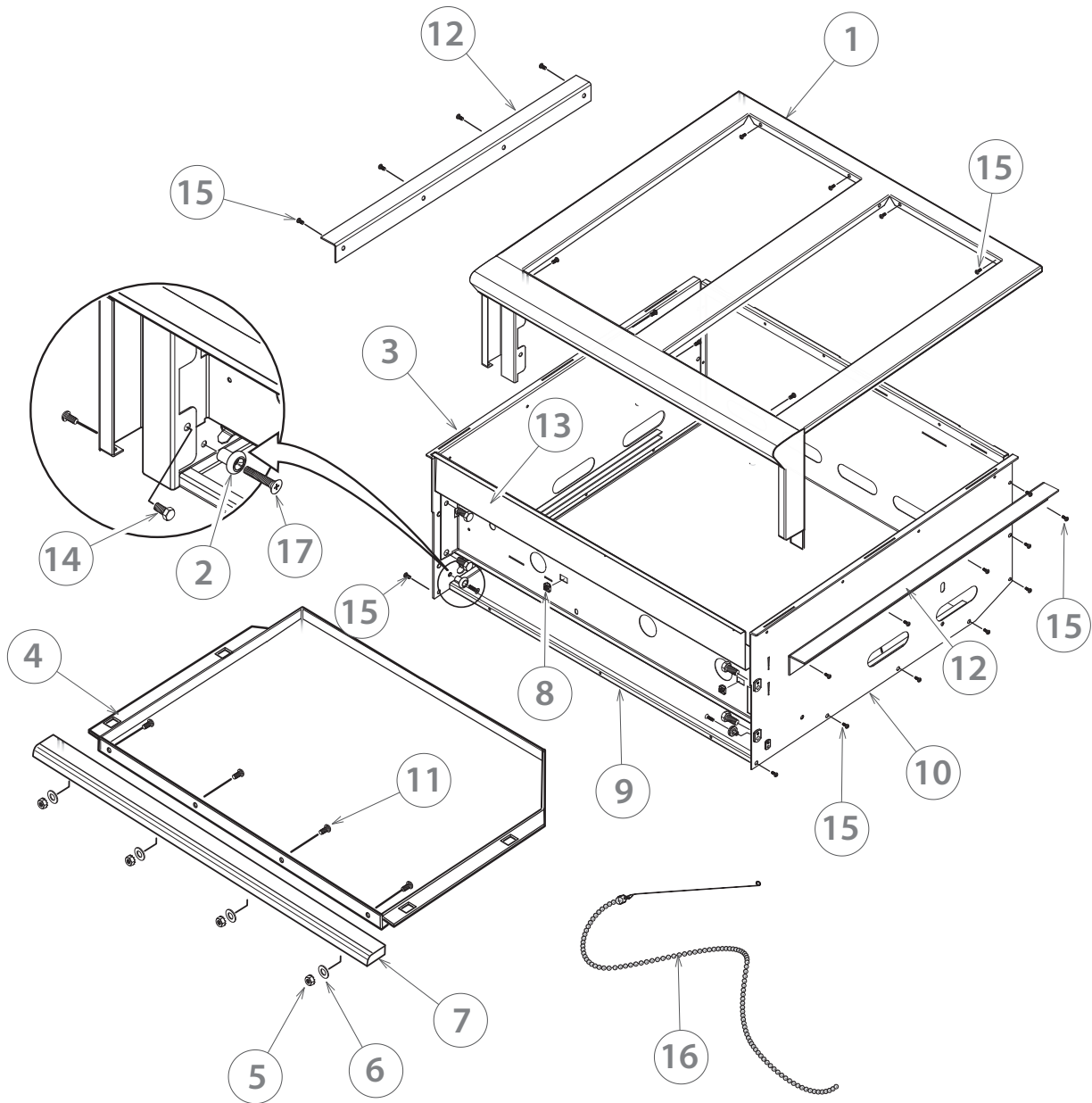
| REF. | PART NUMBER | PART DESCRIPTION |
|------|-------------|--|
| 1 | 240381 | NUT, HEX M8X1, BRASS |
| 2 | 240293 | THERMOCOUPLE |
| 3 | 240034 | COMBO VALVE, SADDLE |
| 4 | 240364 | ORIFICE SPUD TYPE, LG 51 DM |
| 5 | 240185 | VALVE SADDLE SMOKER OUTDOOR |
| 6 | 240379 | SEAL, SADDLE VALVE |
| 7 | 240378 | CLAMP, SADDLE VALVE |
| 8 | 240380 | MS M5 X 25, HEX PH WSHR |
| 9 | 240041 | MANIFOLD BFG |
| 10 | 212138P | COUPLING 1/2 NPT BLACK (PKD) |
| 11 | 221769 | 1/2 NPT X 2.00 NIPPLE BLK |
| 12 | 210765P | REGULATOR - 4.0 WC (PKD) |
| 13 | 212186 | BLACK NIPPLE, 1/2 X 5" |
| 14 | 212155P | 1/2 NPT X 3/8 FLARE (PKD) |
| 15 | 211368P | WASHER FLT SS .313 X .750 (10 PK) |
| 16 | 211323P | HEX BLT 1/4-20X 1/2 FULL TH SS (10 PK) |

9 GRIDDLE COMPONENTS



| REF. | PART NUMBER | PART DESCRIPTION |
|------|-------------|--------------------------------------|
| 1 | 240045 | FLUE COVER, GRIDDLE 11" |
| 2 | 240225 | COVER ASSY COOKTOP 30 |
| 3 | 212359 | RUBBER BUMPER |
| 4 | 241169 | WELDMENT, GRIDDLE-BFG |
| 5 | 240386 | GREASE TRAY |
| 6 | 211242P | MS 10-24 X 1/2 PH PN TY F SS (10 PK) |
| 7 | 237354 | MS 10-24 X 3/8 PH TR HD SS (10 PK) |
| 8 | 211833 | ELECTRODE SMOKER |
| 9 | 237182 | BURNER SMOKER SS |
| 10 | 240033 | FLASH TUBE ASSY, BFG-30BGD |
| 11 | 240050 | HEAT SHIELD GRIDDLE |
| 12 | 211301P | MS 4-40 X 1/4 PH RD HD SS (10 PK) |
| 13 | 211358P | NUT HEX 4-40 SS (10 PK) |
| 14 | 240051 | BRACKET THERMOCOUPLE |

11 STRUCTURE COMPONENTS



| REF. | PART NUMBER | PART DESCRIPTION |
|------|-------------|-------------------------------------|
| 1 | 240035 | LANDING LEDGE, BGF-30BFG, W/A |
| 2 | 211090 | RACK ROLLER VERTICAL |
| 3 | 240059 | SIDE OUTER W/A, LH |
| 4 | 240521 | DRIP PAN, BFG30-GL / GD |
| 5 | 218150 | NUT HEX 10-24 KEPS SS (10 PK) |
| 6 | 211373P | WASHER FLT SS #10 .43 OD (10 PK) |
| 7 | 251106 | HANDLE, DRIP PAN, BFGC-30 BGD PTD |
| 8 | 211408P | NUT W/RET 1/4-20 BLK (10 PK) |
| 9 | 240010 | BOTTOM BACK, BFG-30 |
| 10 | 240060 | SIDE OUTER W/A, RH |
| 11 | 237354 | MS 10-24 X 3/8 PH TR HD SS (10 PK) |
| 12 | 224769 | ANGLE GRILL SUPPORT |
| 13 | 241203 | BAFFLE, FRONT-BFG-30BGD |
| 14 | 240208P | HEX BOLT 1/4 - 20 X 3/8 SS (10 PK) |
| 15 | 211242P | MS 10-24X 1/2 PH PN TY F SS (10 PK) |
| 16 | 240757 | WAND MATCH LIGHT ASSY |
| 17 | 250184 | MS 10-24 X 1 PH FLT 100 316SS |
| NI | 240194 | HARNESS KIT BFG-30 BGD |

FISHERPAYKEL.COM

© Fisher & Paykel Appliances Ltd 2020. All rights reserved.

The product specifications in this document apply to the specific products and models described at the date of issue. Under our policy of continuous product improvement, these specifications may change at any time. You should therefore check with your Dealer to ensure this document correctly describes the product currently available.

For current details about model and specification availability in your country, go to our website fisherpaykel.com or contact your local Fisher & Paykel dealer

PRODUCT CODE: 71474-A 12.20