

This Owner's Manual is provided and hosted by [Appliance Factory Parts](#).



DCS BGC132-BI-N Owner's Manual

[Shop genuine replacement parts for DCS BGC132-BI-N](#)



[Find Your DCS Grill Parts - Select From 274 Models](#)

----- Manual continues below -----



Side burner
BGC132-BI-N DCS US CA
Product Code: 71136-A

Parts Manual

US CA

Brand:	DCS by Fisher & Paykel
Voltage:	9V Battery
Model:	BGC132-BI-N DCS US CA
Product Code:	71136-A

Models

- The model covered by this manual is listed on the front cover.
- The information detailed in this manual is subject to change without notice. The latest version is indicated by the reprint date and replaces any earlier editions.

Kit Parts

Kit components are shown in *italics*. Where a part number is shown against the descriptions for these kit components, they are also available as separate items. In addition, some parts may be supplied with these kits that are not available as separate items, and are therefore either not listed, or a part number is not shown against the part description in this manual.

Parts List Key

<i>italics</i>	Kit components or parts included are shown in italics. Refer to above notes: Kit Parts.
NS	As a part reference, indicates the part is not serviceable.
NI	As a part reference, indicates the part is not illustrated on the diagram.
NOT USED	As a part number, indicates the diagram part reference is not used in this manual.

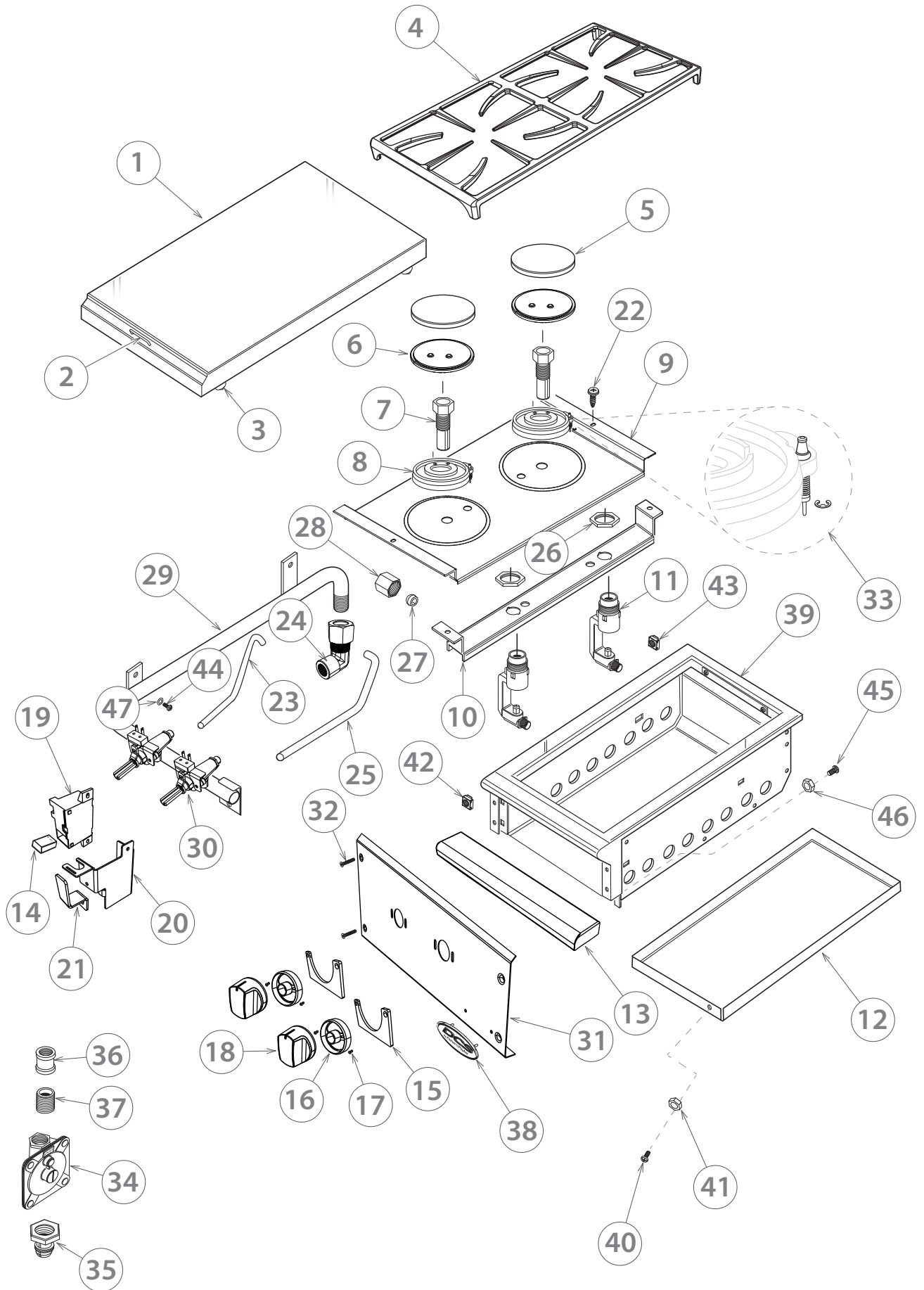
SIDE BURNER COMPONENTS

3

Fisher & Paykel Appliances Inc.
DCS Customer Care
695 Town Center Drive, Suite 180
Costa Mesa.
CA 92626-1902
USA

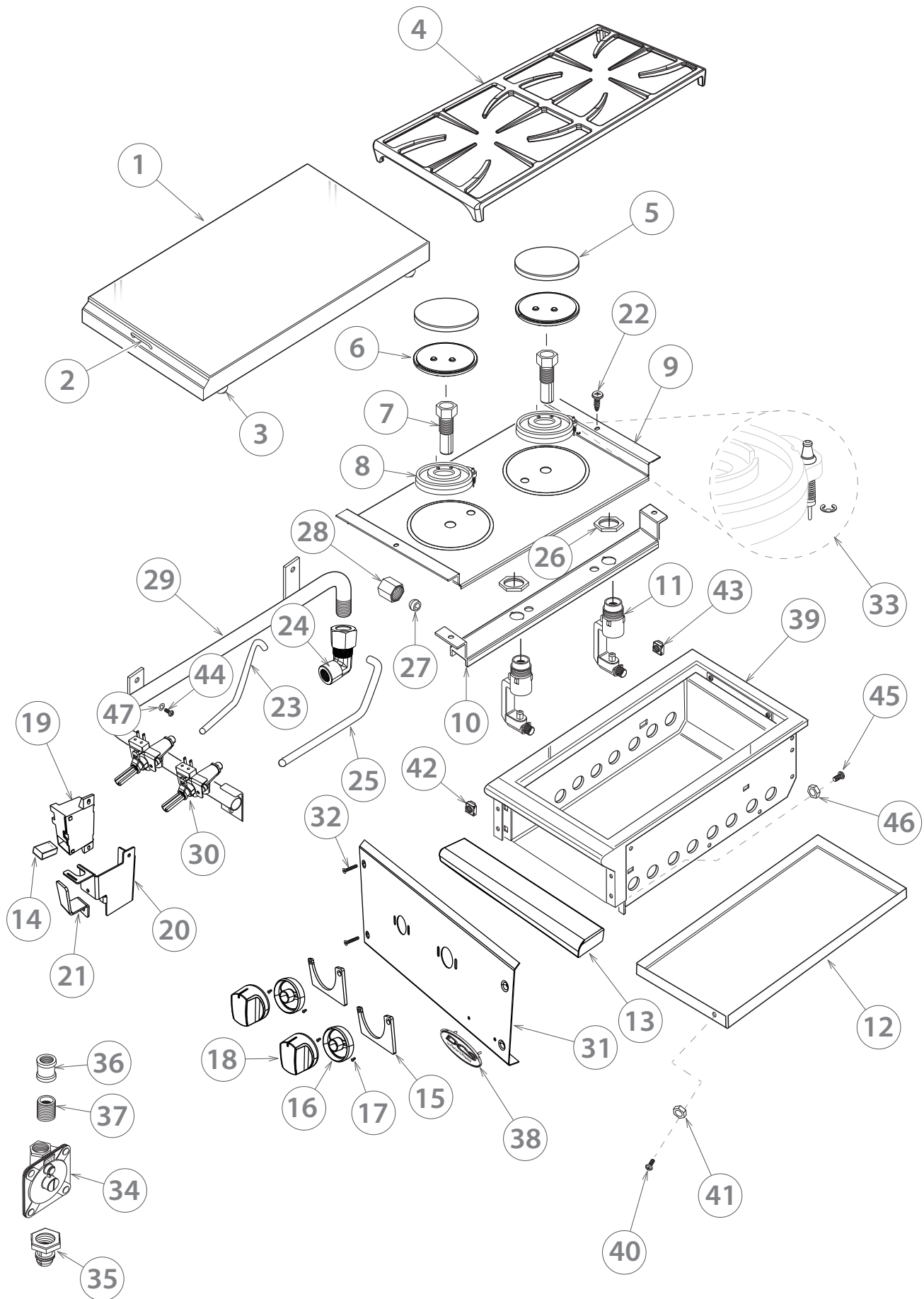
Customer Care: 1-888-936-7872
Fax: (714) 372-7003
email: customer.care@fisherpaykel.com
www.dcsappliances.com

3 SIDE BURNER COMPONENTS



REF.	PART NUMBER	PART DESCRIPTION
1	214425	COVER SIDE BURNER BGB132
2	212278	PULL HANDLE 36/48D BBQ 131/132
NI	211477P	SM M 4 X 5MM SS PH (PK10)
3	212359	RUBBER BUMPER
4	210645	GRATE BGB 132
5	210608	D BURNER CAP
6	250353	RING PORT E-BURNER
7	210643	VENTURI SINGLE FLOW BURNER
8	210639	BASE D BURNER DCS
9	224931	PLATE SUPPORT BURNER BGB132-BI
10	224817	BURNER HANGER BGB132 BI
11	210536	JET HOLDERS D 17K
12	214164	DRIP PAN 132D BI
13	251103	HANDLE DRIP PAN BGC131/132 BI PTD
14	212337	BATTERY ALKALINE 9V
15	250789	PLATE BEZEL SUPPORT BGC
16	250745	BEZEL GRILL DCS
17	211248P	SMS 6-32X 3/8 PH PN TY F SS
18	250777	DIAL GRILL DCS ASSY
19	212333	BATTERY IGN MODULE 9V ELTEC 4
20	250877	BRKT IGNITION MODULE
21	250921	BRKT LOCK IGNITION MODULE
22	211242P	SM 10-24X1/2 PHPN TY F SS (10PK)
NI	250862	BCG-132 IGNITION SW LOOM
	<i>Includes</i>	<i>BGC EARTH WIRE WITH TERMINALS</i>
	<i>Includes</i>	<i>BGC 2 SW WIRE WITH TERMINALS</i>
	<i>Includes</i>	<i>BURNER WIRE 12.5 INCH</i>
	<i>Includes</i>	<i>BURNER WIRE 20.5 INCH</i>
23	221956	TUBING BACK BURNER BGB131/132
24	212396	ELBOW 1/8 NPT X 5/16 TOD
25	212399	TUBING FRONT BURNER BGB131/132
26	210468P	NUT M22 JET HOLDER (PKD)
27	212313	SLEEVES 5/16
28	212312P	B-NUT 5/16 (PKD)
29	212296	MANIFOLD DCS 132
30	250824	GAS VALVE BGC BLUE
31	251079	VALVE PANEL BGB132 BI PTD

5 SIDE BURNER COMPONENTS



REF.	PART NUMBER	PART DESCRIPTION
32	211303P	SCREW 8-32 X 5/8 TORX FL HD (10PK)
33	241680	KIT IGNITOR, SPRING AND CLIP
34	210765P	REGULATOR - 4.0 WC (PKD)
35	212155P	1/2 X 3/8 FLARE (PKD)
36	212138P	COUPLING 1/2 NPT BLK (PKD)
37	221769	1/2 NPT X 2.00 NIPPLE BLK
38	237567	BADGE 2.42"
39	214368	TOP FRAME W/A BGA132BI
40	237354	SCREW 10-24 X 3/8 PH TRUSS SS (PKT 10)
41	211359P	NUT HEX10-24SS LOCK NYLON (10PK)
42	211410P	NUT W/RET 8-32 (10PK)
43	211408P	NUT W/RET 1/4-20 BLK (10PK)
44	211323P	HEX BOLT 1/4-20 X 1/2 FULL SS (10PK)
45	211287P	MS 10-24X3/4 PH TRU SS (10PK)
46	218150	NUT HEX 10-24 KEPS SS (10 PK)
47	211362P	WASHER FLT ZN .250 (PK10)
NI	590842	BOOKSET BGC131/132 DCS USCA
	<i>Includes</i>	<i>BK USR/INSTL BGC 131/132 DCS USCA</i>
	<i>Includes</i>	<i>BK SERVICE & WARRANTY DCS USCA</i>
NI	70756	KIT CONV NAT TO LP BGB131/132
	<i>Includes 210780</i>	<i>HOSE LP 5-16 X 24 3-8 F FL</i>
	<i>Includes 210781</i>	<i>HOSE 5-16 X 30 3-8 F FL</i>
	<i>Includes 210819</i>	<i>REGULATOR ASSY LP 90 BGB</i>
	<i>Includes 212168</i>	<i>TEE FLARE 3/8</i>
	<i>Includes 238292</i>	<i>JET MAIN 1.25MM</i>
	<i>Includes 590507</i>	<i>INSTR CONV NG-LP BGB131-132 US</i>

www.fisherpaykel.com
www.dcsappliances.com



Copyright © Fisher & Paykel 2015 All rights reserved.
The product specifications in this manual apply to the specific model described at the date of issue. Under our policy of continuous product improvement, these specifications may change at any time. Only use this manual if the product code on the front matches the product code on the serial label of the product.