

This Owner's Manual is provided and hosted by [Appliance Factory Parts](#).



# DCS BFGC-30BGD-L Owner's Manual

[Shop genuine replacement parts for DCS  
BFGC-30BGD-L](#)



[Find Your DCS Grill Parts - Select From 274 Models](#)

----- Manual continues below -----

# DCS

## LIBERTY DUAL SIDE BURNER/GRIDDLE

---

BFGC-30BGD-L DCS

PRODUCT CODE: 71475-A

PARTS MANUAL

US CA

Brand:	DCS by Fisher & Paykel
Voltage:	9V Battery
Model:	BFGC-30BGD-L DCS US CA
Product Code:	71475-A

## Models

- The model covered by this manual is listed on the front cover.
- The information detailed in this manual is subject to change without notice. The latest version is indicated by the reprint date and replaces any earlier editions.

## Kit Parts

Kit components are shown in *italics*. Where a part number is shown against the descriptions for these kit components, they are also available as separate items. In addition, some parts may be supplied with these kits that are not available as separate items, and are therefore either not listed, or a part number is not shown against the part description in this manual.

## Parts List Key

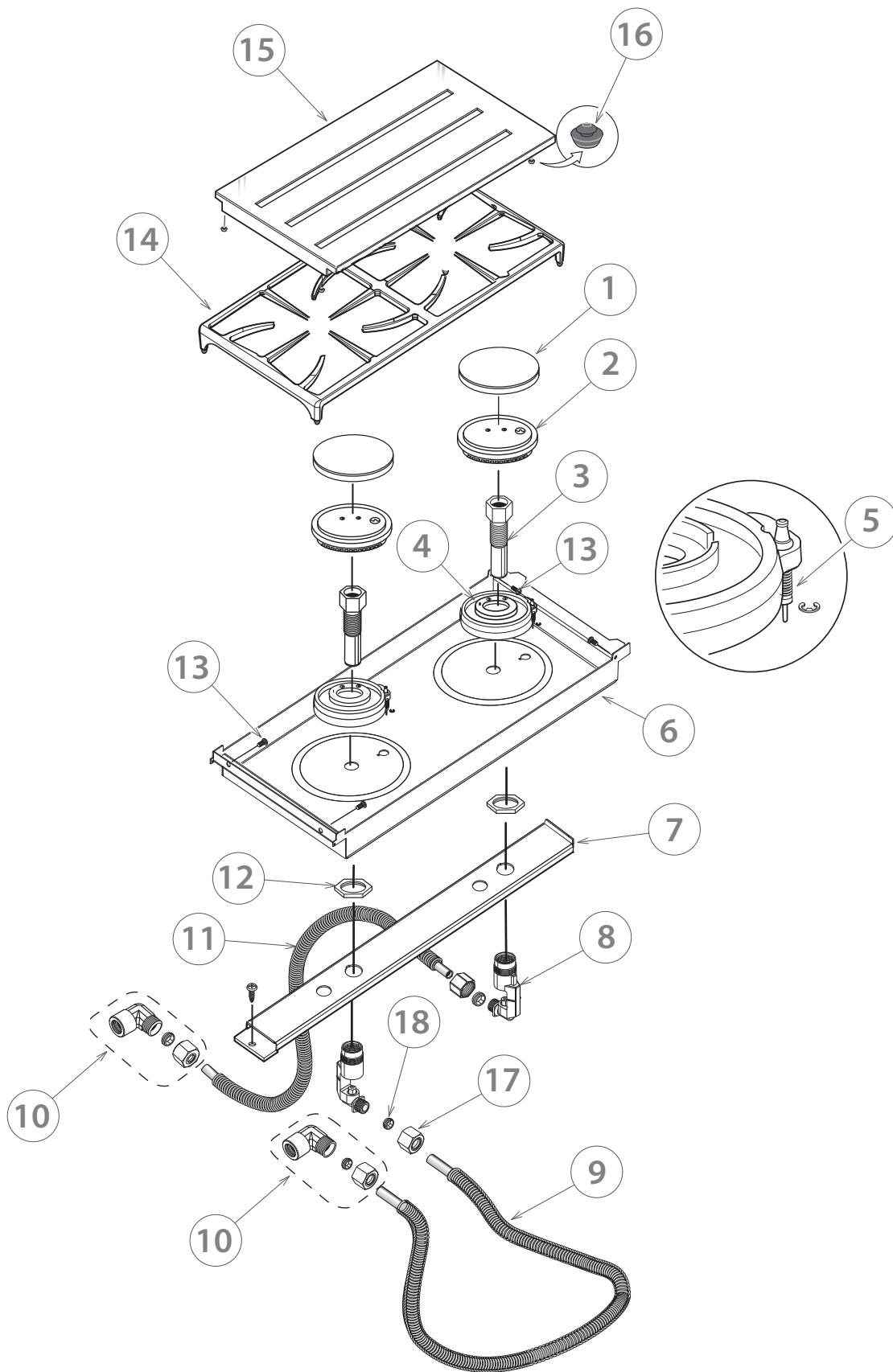
<i>italics</i>	Kit components or parts included are shown in italics. Refer to above notes: Kit Parts.
NS	As a part reference, indicates the part is not serviceable.
NI	As a part reference, indicates the part is not illustrated on the diagram.
NOT USED	As a part number, indicates the diagram part reference is not used in this manual.

DOUBLE SIDE BURNER COMPONENTS	3
VALVE PANEL COMPONENTS	5
MANIFOLD COMPONENTS	7
GRIDDLE COMPONENTS	9
STRUCTURE COMPONENTS	11

Fisher & Paykel Appliances Inc.  
DCS Customer Care  
695 Town Center Drive, Suite 180  
Costa Mesa,  
CA 92626-1902  
USA

Customer Care: 1-888-936-7872  
Fax: (714) 372-7003  
email: [customer.care@fisherpaykel.com](mailto:customer.care@fisherpaykel.com)  
[www.dcsappliances.com](http://www.dcsappliances.com)

3 DOUBLE SIDE BURNER COMPONENTS

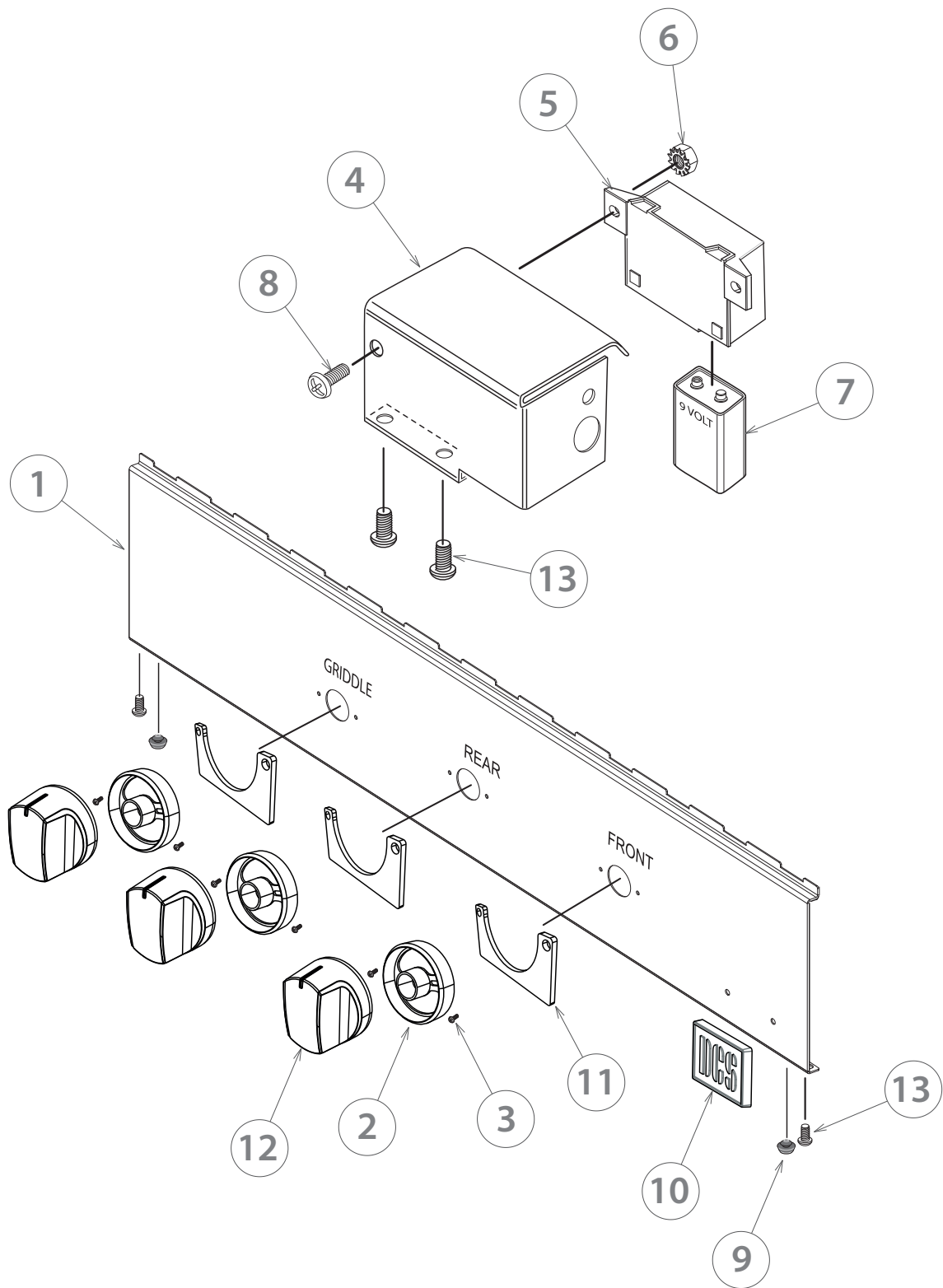


# DOUBLE SIDE BURNER COMPONENTS

REF.	PART NUMBER	PART DESCRIPTION
<b>1</b>	<b>210608</b>	<b>D BURNER CAP</b>
<b>2</b>	<b>250353</b>	<b>RING PORT E-BURNER</b>
<b>3</b>	<b>210643</b>	<b>VENTURI SINGLE FLOW BURNER</b>
<b>4</b>	<b>210639</b>	<b>12321D BURNER DCS</b>
<b>5</b>	<b>217994</b>	<b>KIT IGNITER, SPRING &amp; CLIP</b>
<b>6</b>	<b>240190</b>	<b>BURNER PAN BFG</b>
<b>7</b>	<b>240049</b>	<b>BURNER HANGER</b>
<b>8</b>	<b>210543</b>	<b>JET HOLDER MAIN D 1.25MM</b>
<b>9</b>	<b>240206</b>	<b>FLEX TUBE 5/16, S.S., 12"</b>
<b>10</b>	<b>212396</b>	<b>ELBOW 1/8" NPT X 5/16 TOD</b>
<b>11</b>	<b>240207</b>	<b>FLEX TUBE 5/16, S.S., 22"</b>
<b>12</b>	<b>210468P</b>	<b>NUT M22 JET HOLDER (PKD)</b>
<b>13</b>	<b>211242P</b>	<b>MS 10-24 X 1/2 PH PN TY F SS (10 PK)</b>
<b>14</b>	<b>210645</b>	<b>GRATE BGB 132</b>
<b>15</b>	<b>240225</b>	<b>COVER ASSY, COOKTOP 30</b>
<b>16</b>	<b>212359</b>	<b>RUBBER BUMPER</b>
<b>17</b>	<b>212312P</b>	<b>B-NUT 5/16 (10-PK)</b>
<b>18</b>	<b>212313P</b>	<b>SLEEVES 5/16 (10-PK)</b>
<b>NI</b>	<b>590850</b>	<b>BOOKSET LIBERTY GRILL DCS USCA</b>
	<i>Includes</i>	<i>BK USR/INSTL LIB'TY GRL DCS US</i>
	<i>Includes</i>	<i>BK SERVICE &amp; WARRANTY DCS USCA</i>

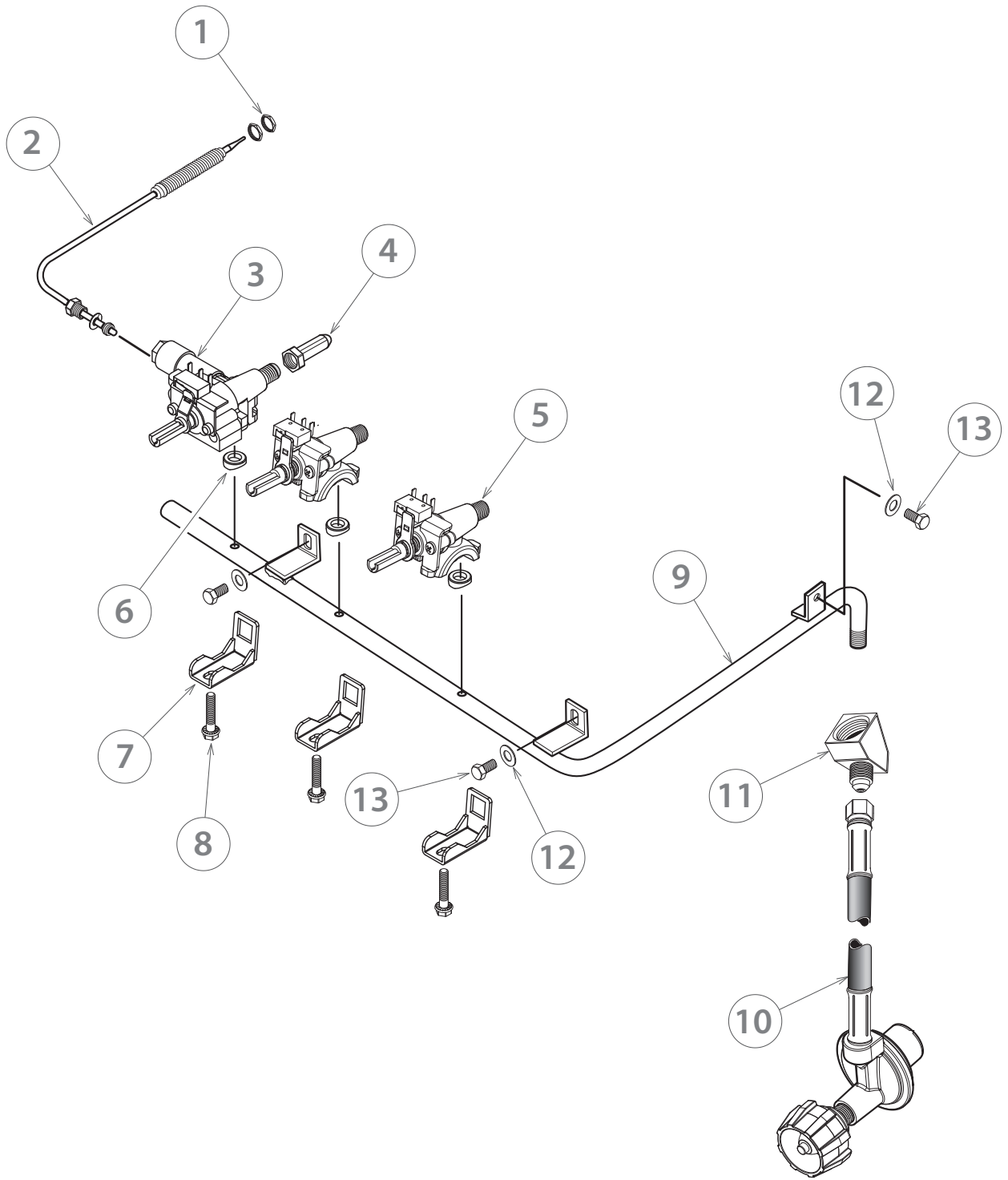


5 VALVE PANEL COMPONENTS



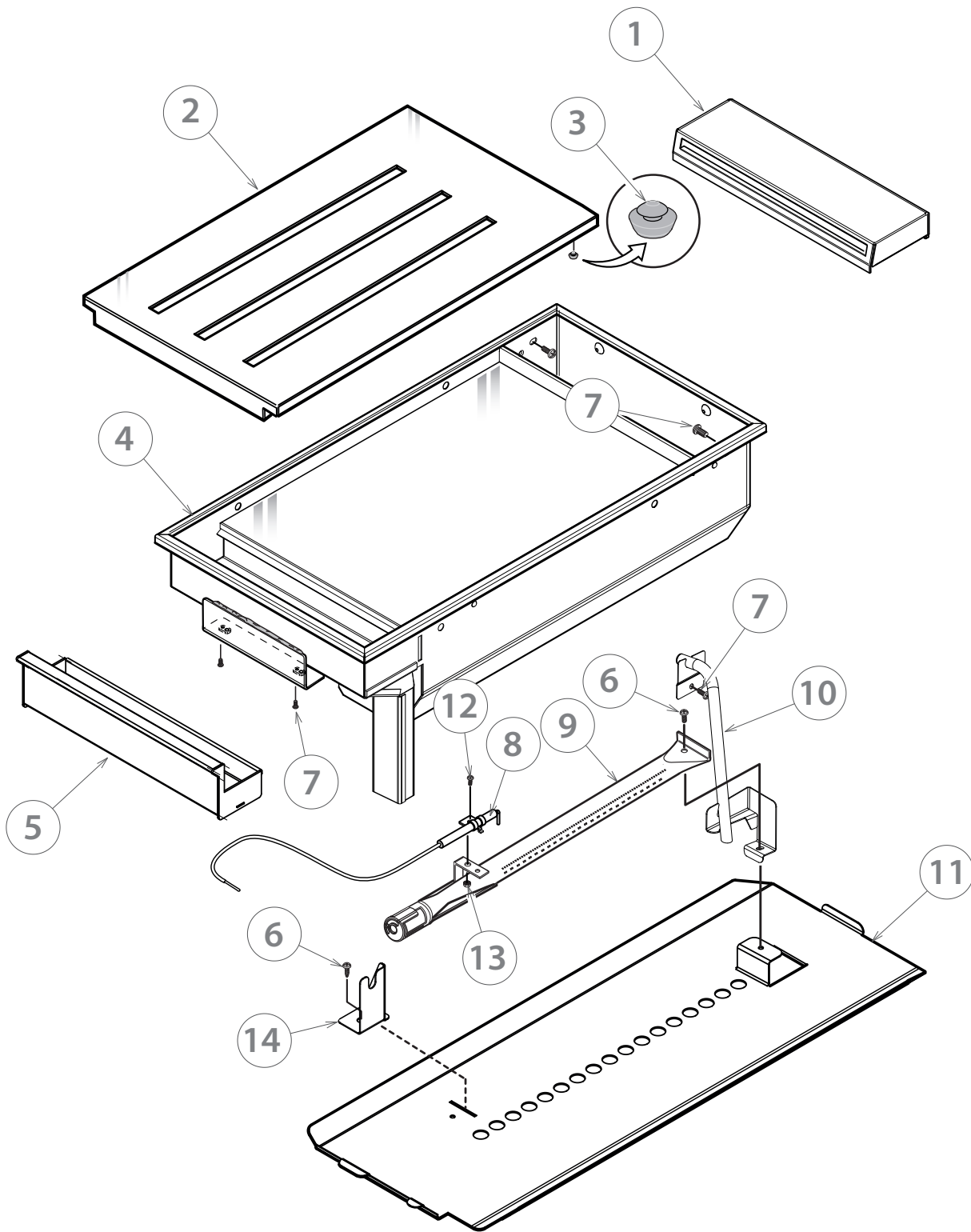
REF.	PART NUMBER	PART DESCRIPTION
1	254682P	VALVE PNL BFGC-30BGD PTD sB SP
NI	218132	SM10-24X1/2PH TRU TY23 4SS
2	250745	BEZEL GRILL DCS
3	211248P	SMS 6-32 X 3/8 PH PN TY F SS (10 PK)
4	250922	HOUSING IGNITION MODULE BFGC-30 W/A
5	212333	BATTERY IGN MODULE 9V ELTEC 4
6	211480P	NUT 8-32 KEPS SS (10 PK)
7	212337	BATTERY ALKALINE 9V
8	211295P	MS 8-32X1/2 PH TR HD SS (PK10)
9	212359	RUBBER BUMPER
10	254586	BADGE DCS 65 X 36 W/ PIN
NI	211419P	LOGO - CLIP (2 PACK)
11	250789	PLATE BEZEL SUPPORT BGC
12	250777	DIAL GRILL DCS ASSY
13	211242P	MS 10-24 X 1/2 PH PN TY F SS (10 PK)

7 MANIFOLD COMPONENTS



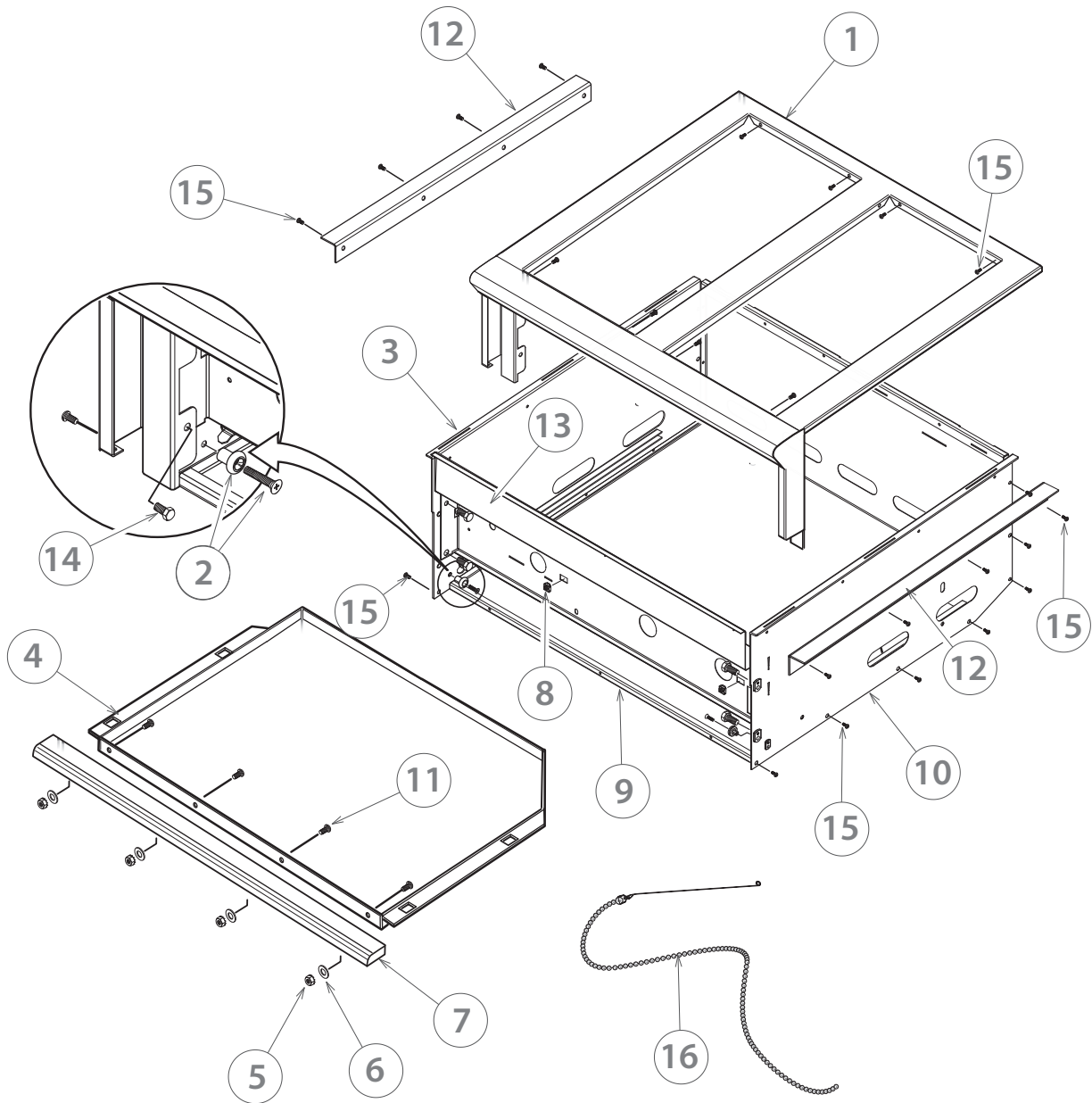
REF.	PART NUMBER	PART DESCRIPTION
1	240381	NUT, HEX M8X1, BRASS
2	240293	THERMOCOUPLE
3	240034	COMBO VALVE, SADDLE
4	240365	JET SPUD LG 1.0MM (59DMS)
5	240185	VALVE SADDLE SMOKER OUTDOOR
6	240379	SEAL, SADDLE VALVE
7	240378	CLAMP, SADDLE VALVE
8	240380	MS M5 X 25, HEX PH WSHR
9	240041	MANIFOLD BFG
10	210819P	90DEG/HOSE ASSY QCC-1 (PKD)
11	239586	ELBOW 45 3/8M FLAREX 1/2 F NPT
12	211368P	WASHER FLT SS .313 X .750 (10 PK)
13	211323P	HEX BLT 1/4-20X 1/2 FULL TH SS (10 PK)

9 GRIDDLE COMPONENTS



REF.	PART NUMBER	PART DESCRIPTION
1	240045	FLUE COVER, GRIDDLE 11"
2	240225	COVER ASSY COOKTOP 30
3	212359	RUBBER BUMPER
4	241169	WELDMENT, GRIDDLE-BFG
5	240386	GREASE TRAY
6	211242P	MS 10-24 X 1/2 PH PN TY F SS (10 PK)
7	237354	MS 10-24 X 3/8 PH TR HD SS (10 PK)
8	211833	ELECTRODE SMOKER
9	237182	BURNER SMOKER SS
10	240033	FLASH TUBE ASSY, BFG-30BGD
11	240050	HEAT SHIELD GRIDDLE
12	211301P	MS 4-40 X 1/4 PH RD HD SS (10 PK)
13	211358P	NUT HEX 4-40 SS (10 PK)
14	240051	BRACKET THERMOCOUPLE

11 STRUCTURE COMPONENTS



REF.	PART NUMBER	PART DESCRIPTION
1	240035	LANDING LEDGE, BGF-30BFG, W/A
2	211090	RACK ROLLER VERTICAL
3	240059	SIDE OUTER W/A, LH
4	240521	DRIP PAN, BFG30-GL / GD
5	218150	NUT HEX 10-24 KEPS SS (10 PK)
6	211373P	WASHER FLT SS #10 .43 OD (10 PK)
7	251106	HANDLE, DRIP PAN, BFGC-30 BGD PTD
8	211408P	NUT W/RET 1/4-20 BLK (10 PK)
9	240010	BOTTOM BACK, BFG-30
10	240060	SIDE OUTER W/A, RH
11	237354	MS 10-24 X 3/8 PH TR HD SS (10 PK)
12	224769	ANGLE GRILL SUPPORT
13	241203	BAFFLE, FRONT-BFG-30BGD
14	240208P	HEX BOLT 1/4 - 20 X 3/8 SS (10 PK)
15	211242P	MS 10-24X 1/2 PH PN TY F SS (10 PK)
16	240757	WAND MATCH LIGHT ASSY
17	250184	MS 10-24 X 1 PH FLT 100 316SS
NI	240194	HARNESS KIT BFG-30 BGD



## **FISHERPAYKEL.COM**

© Fisher & Paykel Appliances Ltd 2020. All rights reserved.

The product specifications in this document apply to the specific products and models described at the date of issue. Under our policy of continuous product improvement, these specifications may change at any time. You should therefore check with your Dealer to ensure this document correctly describes the product currently available.

For current details about model and specification availability in your country, go to our website [fisherpaykel.com](http://fisherpaykel.com) or contact your local Fisher & Paykel dealer

**PRODUCT CODE: 71475-A 12.20**