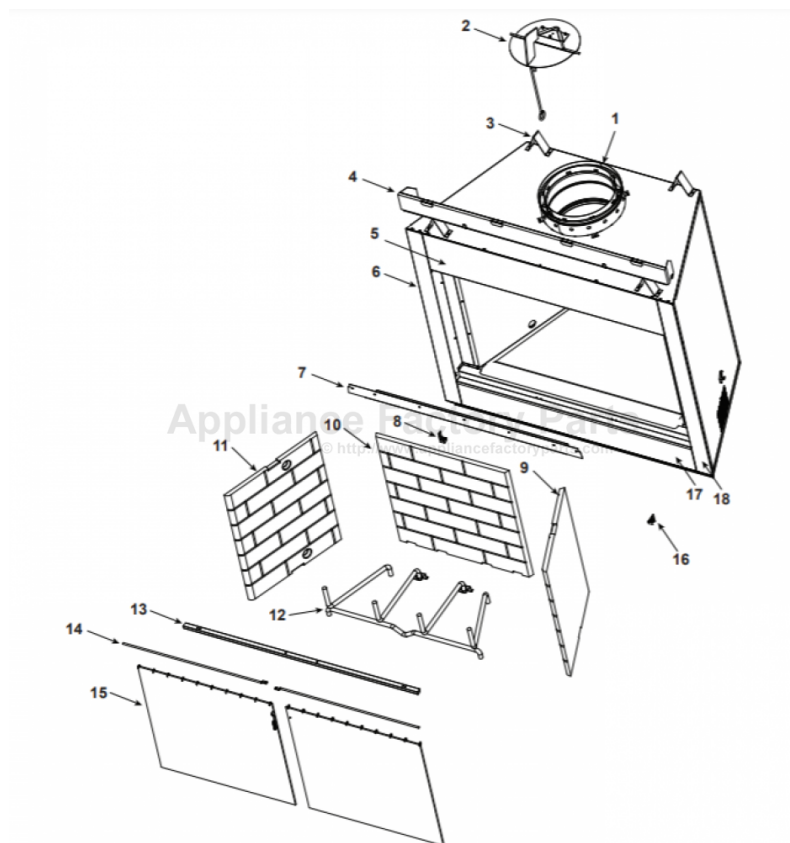


This Owner's Manual is provided and hosted by [Appliance Factory Parts](http://ApplianceFactoryParts.com).



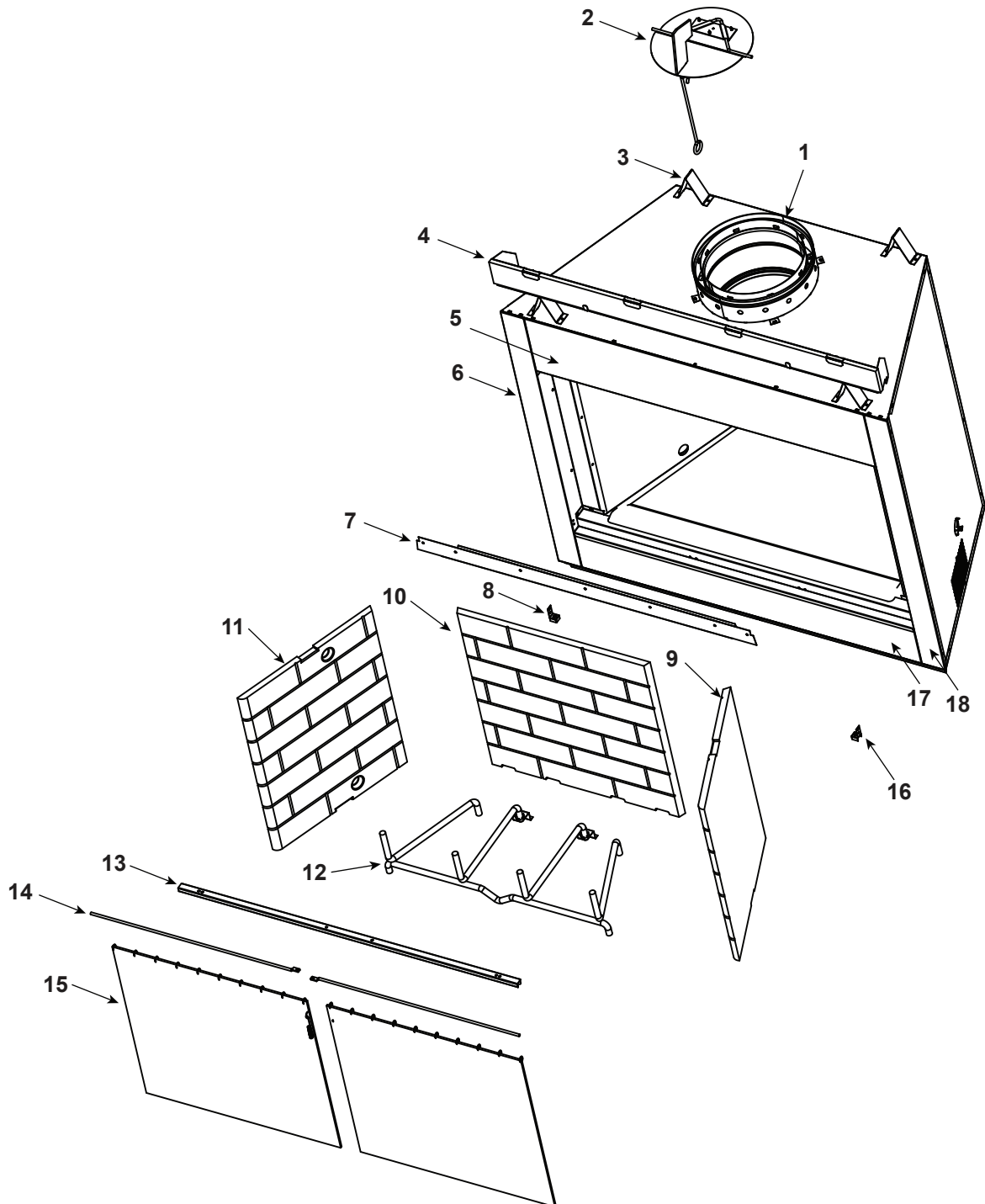
MAJESTIC MONTANA-36H Owner's Manual

[Shop genuine replacement parts for MAJESTIC
MONTANA-36H](#)



[Find Your MAJESTIC Fireplace Parts - Select From 585 Models](#)

----- Manual continues below -----



Part number list on following page.

