

This Owner's Manual is provided and hosted by [Appliance Factory Parts](#).



DCS GDE1-30-L Owner's Manual

[Shop genuine replacement parts for DCS GDE1-30-L](#)



[Find Your DCS Grill Parts - Select From 274 Models](#)

----- Manual continues below -----

DCS

OUTDOOR GRIDDLE

GDE1-30-L DCS US CA

PRODUCT CODE: 71465-A

PARTS MANUAL

US CA

INTRODUCTION

BRAND	VOLTAGE	MODEL	PRODUCT CODE
Fisher & Paykel	120VAC 60Hz	GDE1-30-L DCS CA	71465-A

MODEL

The model covered by this manual is listed on the front cover. The information detailed in this manual is subject to change without notice. The latest version is indicated by the reprint date and replaces any earlier editions.

KIT PARTS

Where a part number is shown against the descriptions for kit components, they are also available as separate items. In addition, some parts may be supplied with these kits that are not available as separate items, and are therefore either not listed, or a part number is not shown against the part description in this manual.

PARTS LIST KEY

NI	As a part reference, indicates the part is not illustrated on the diagram.
NOT USED	As a part number, indicates the diagram part reference is not used in this manual.
NS	As a part number, indicates the part is not servicable.

US

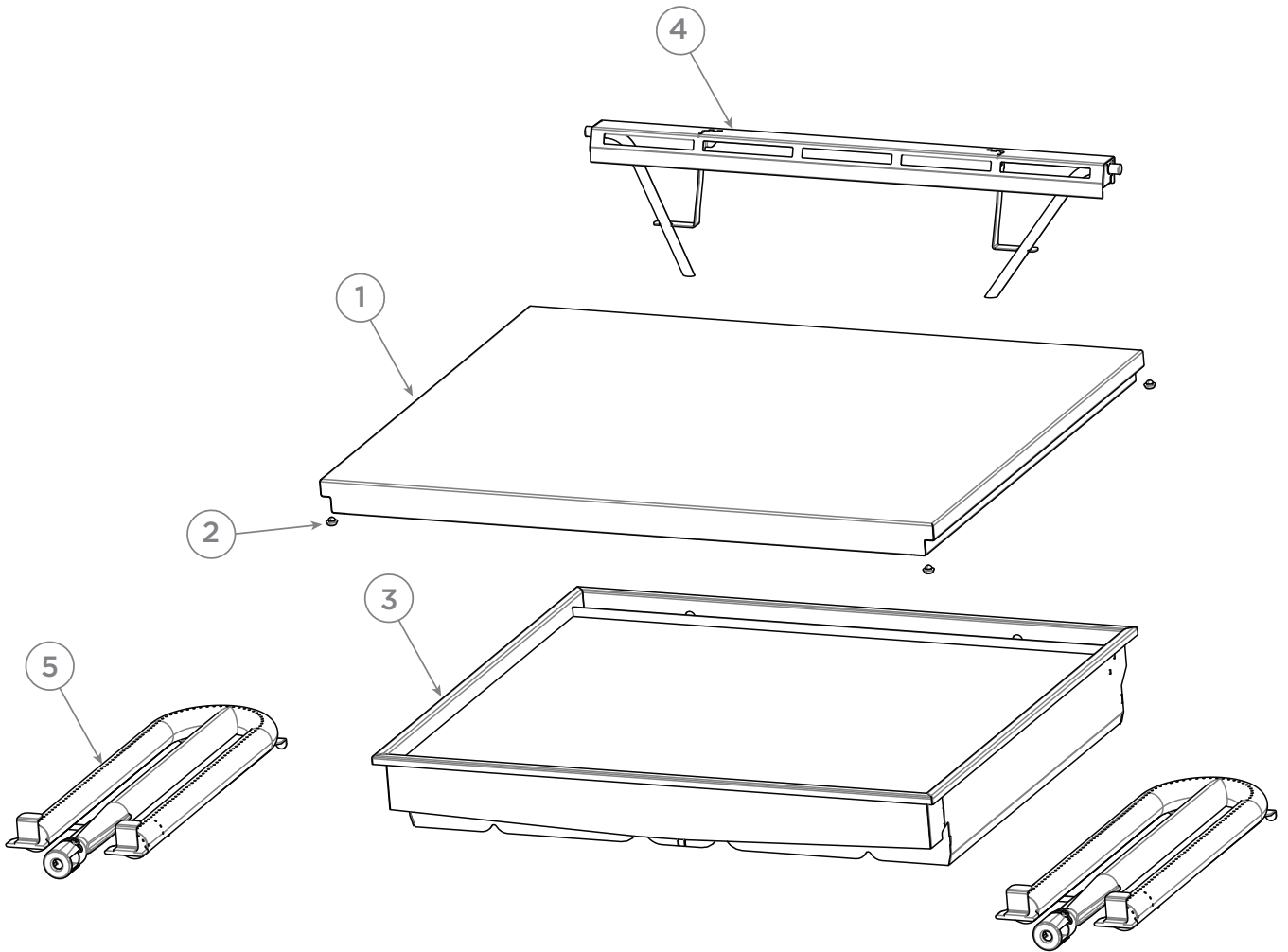
Fisher & Paykel Appliances Inc.
695 Town Center Drive, Suite 180
Costa Mesa.
CA 92626-1902
USA

Customer Care: 1-888-936-7872
Fax: (714) 372-7003
email: customer.care@fisherpaykel.com

CONTENTS

Introduction	1
Griddle burner components	3
Valve panel components	5
Manifold components	7
Wiring & electrical components	9
Firebox components	11
Structure components	13

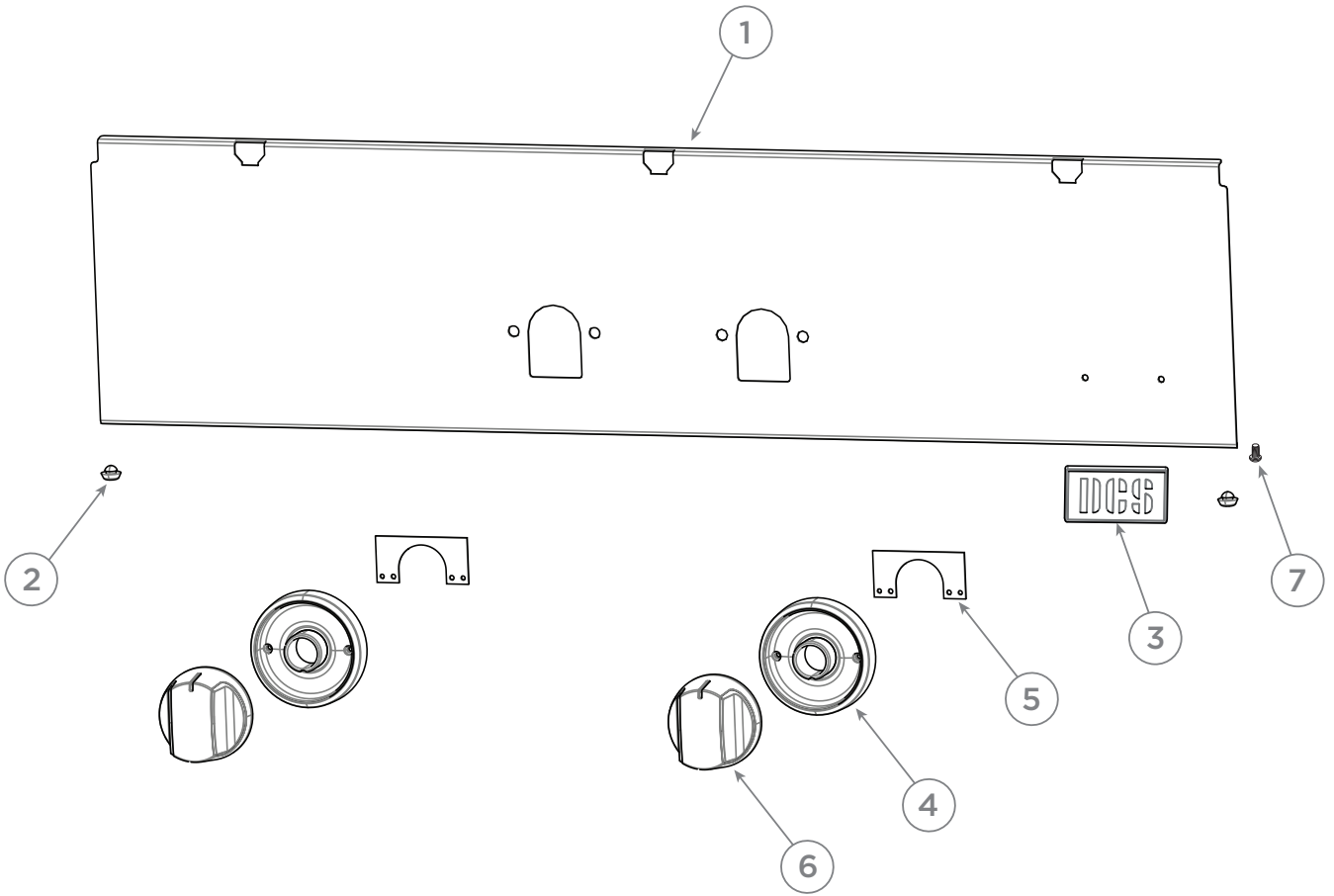
GRIDDLE BURNER COMPONENTS



GRIDDLE BURNER COMPONENTS

REFERENCE	PART NUMBER	PART DESCRIPTION
1	254259P	LID ASSY BE1-30 SP
2	212359P	RUBBER BUMPER (4PK)
3	254250P	GRIDDLE PLATE W/A GDE1-30 SP
4	254478P	FLUE - FLASH REMOVABLE W/A GDE SP
5	240031	U-BURNER, OUTDOOR COOKTOP
NI	211248P	SM 6-32X3/8 PH PAN TY F SS (10PK)
NI	592067	BK UG DCS GRIDDLE 30 USCA
NI	592068	BK INSTL DCS GRIDDLE 30 USCA
NI	590912	BK SRVCE/W'NTY OUTDR DCS USCA

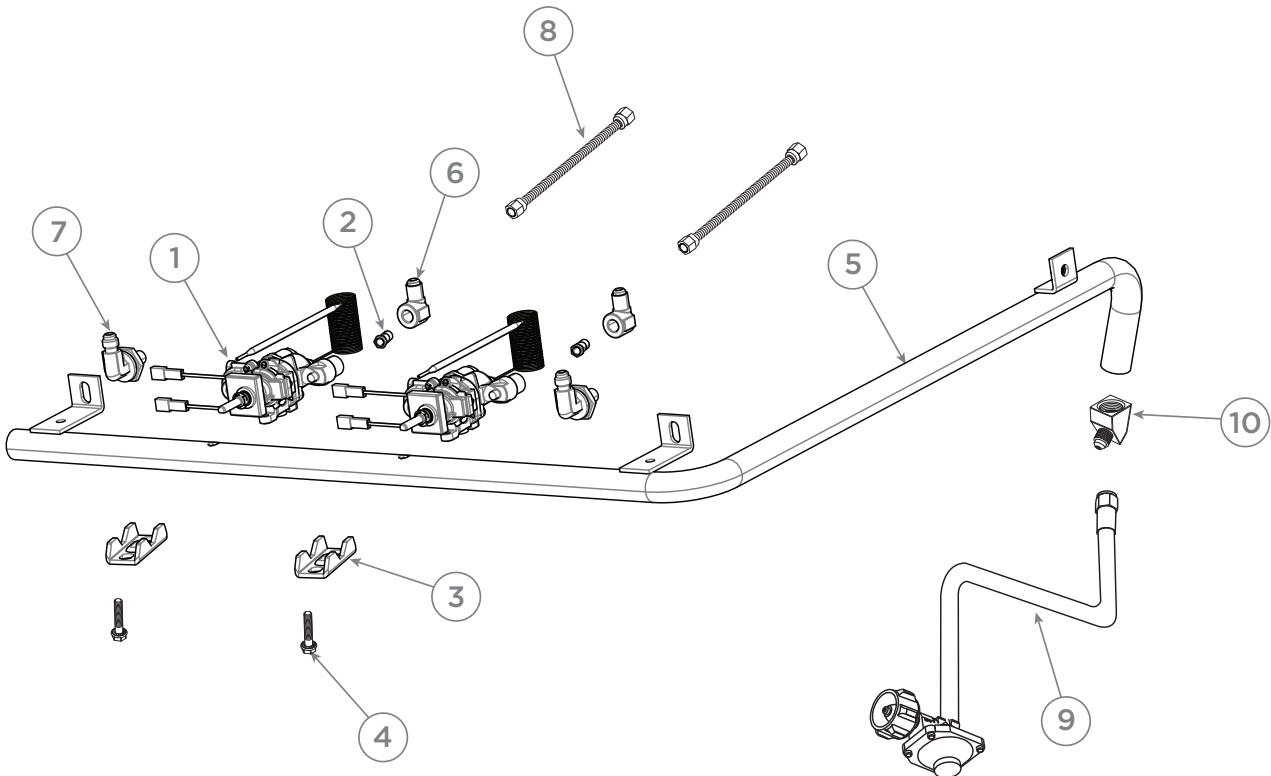
VALVE PANEL COMPONENTS



VALVE PANEL COMPONENTS

REFERENCE	PART NUMBER	PART DESCRIPTION
1	254678P	VALVE PNL GDE1-30 PTD B SP
2	212359P	RUBBER BUMPER (4PK)
3	254586	BADGE DCS 65 X 36 W/ PIN
NI	211419P	LOGO - CLIP (2 PACK)
4	251621	MOD LED BEZEL ORNG WHT 12V
5	251669	PLATE BEZEL SUPPORT BE1
6	254300	DIAL & SPRING ASSY GDE1-30
7	211278P	SCREW 10-24 X 3/8 PH SS (PKT 10)

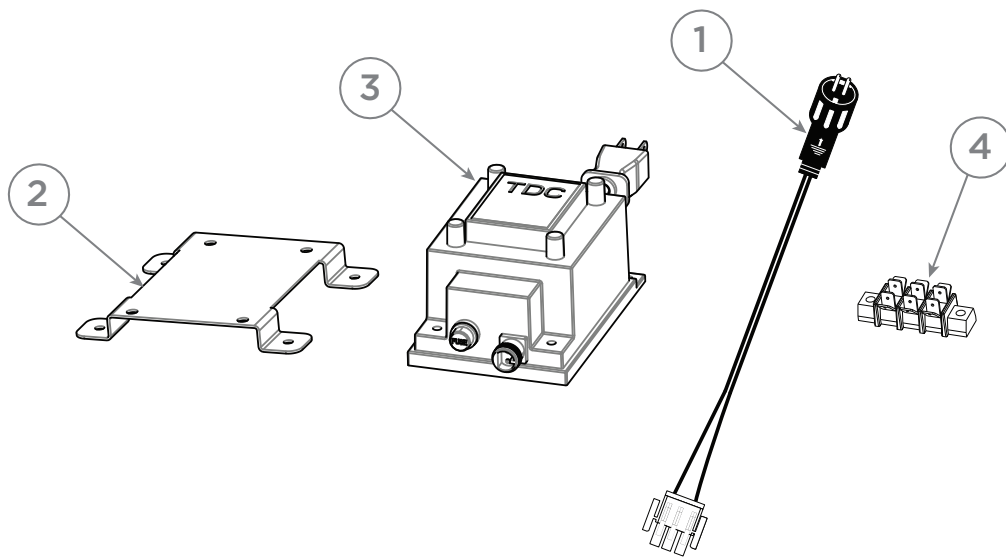
MANIFOLD COMPONENTS



MANIFOLD COMPONENTS

REFERENCE	PART NUMBER	PART DESCRIPTION
1	254263P	VALVE THERMOSTAT WTH SAFETY SP
2	250158	JET SPUD LG 1.30MM (55DMS)
NI	254292	THERMOCOUPLE 9 IN
3	210506	CLAMP VALVE
4	240380	MS M5 X 25, HEX PH WSHR
5	254493	MANIFOLD ASSY ELECPLT GDE1
6	254289	ELBOW ADAPTER 9/16-24F-7/16-20
7	250075	FITTING ELBOW IR ASSY
8	221930	TUBE 25 ID SS FLEXIBLE 7 IN
9	210819P	90 DEG/HOSE ASSY QCC-1 (PKD)
10	239586	ELBOW 45,3/8 M FLAREX 1/2F NPT
NI	211323P	HB 1/4-20 X 1/2 X FULL SS (10PK)
NI	211368P	WSHR FLT .313 X .750 SS (10PK)
NI	254542	KIT CONV NG TO LP GDE1-30
	Includes	KIT GAS CONNECTION GDSBE1-L
	Includes 250158	JET SPUD LG 1.30MM (55DMS)
	Includes	LBL CONV NG TO LP GDE1-30
	Includes	INSTR CONV NG TO LP GDE1-24
	Includes	LABEL LP GAS DCS
	Includes 239586	ELBOW 45,3/8 M FLAREX 1/2F NPT

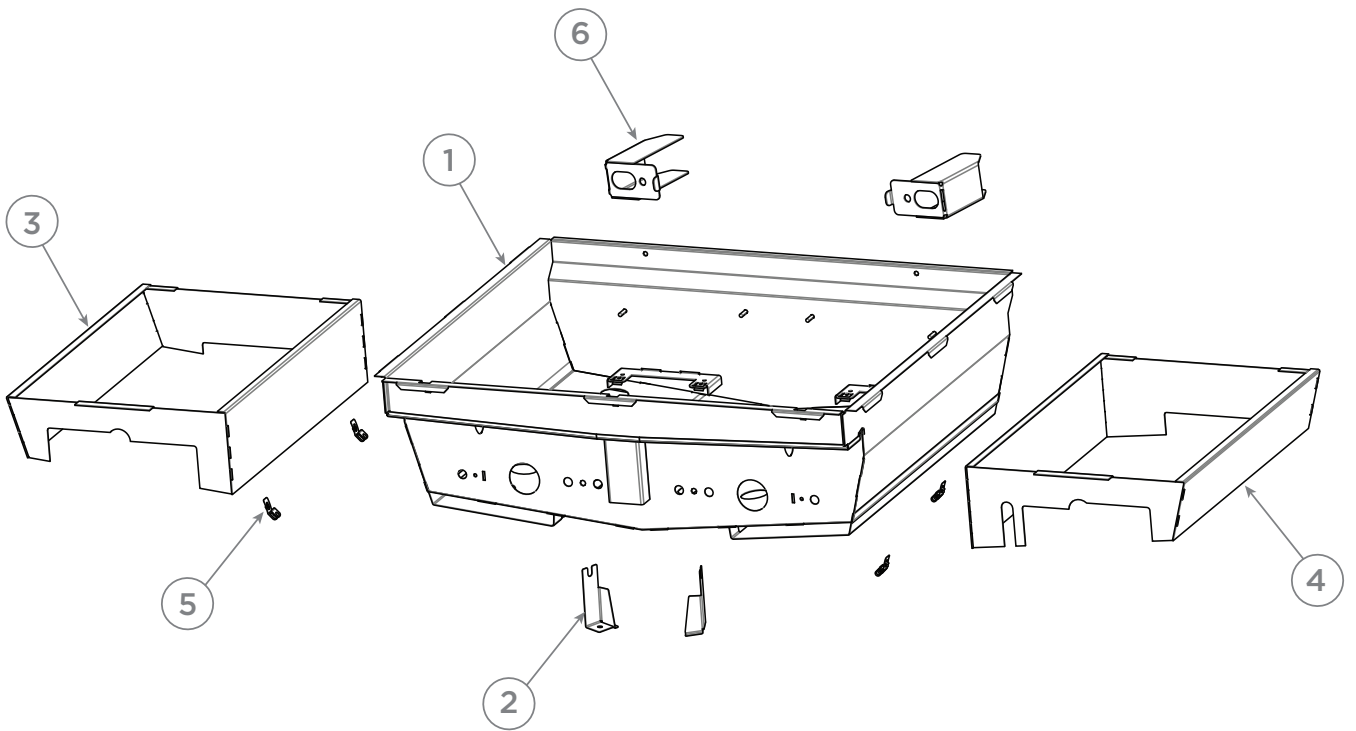
WIRING & ELECTRICAL COMPONENTS



WIRING & ELECTRICAL COMPONENTS

REFERENCE	PART NUMBER	PART DESCRIPTION
NI	254280	HARNESS 30 GRIDDLE BURNER
NI	254277	HARNESS INTERNAL POWER
NI	254281	HARNESS BEZEL LINK 190MM
1	254430	CORD POWER 254276 INSPECTED
2	251738	MOUNT POWER SUPPLY GRILL
NI	211287P	MS 10-24X3/4 PH TRU SS (10PK)
NI	211338	MS 10-24 X 1 SL HXWS SS
NI	211394	NUT KEPS 10-24 SS
3	251709	POWER SUPPLY 12V US
4	243935	TERMINAL BLOCK (3-POSITION)
NI	211279P	MS 6-32X5/8 PH RD HD SS (10PK)
NI	211393P	NUT KEPS 6-32 SS (10PK)
NI	71425	POWER SPLITTER BGA-PS DCS (ACCESSORY ONLY)
NI	71422	4FT EXTENSION CABLE BGA-4PC DC (ACCESSORY ONLY)
NI	71423	6FT EXTENSION CABLE BGA-6PC DC (ACCESSORY ONLY)
NI	71424	LIGHT BUTTON BGA-LB DCS (ACCESSORY ONLY)

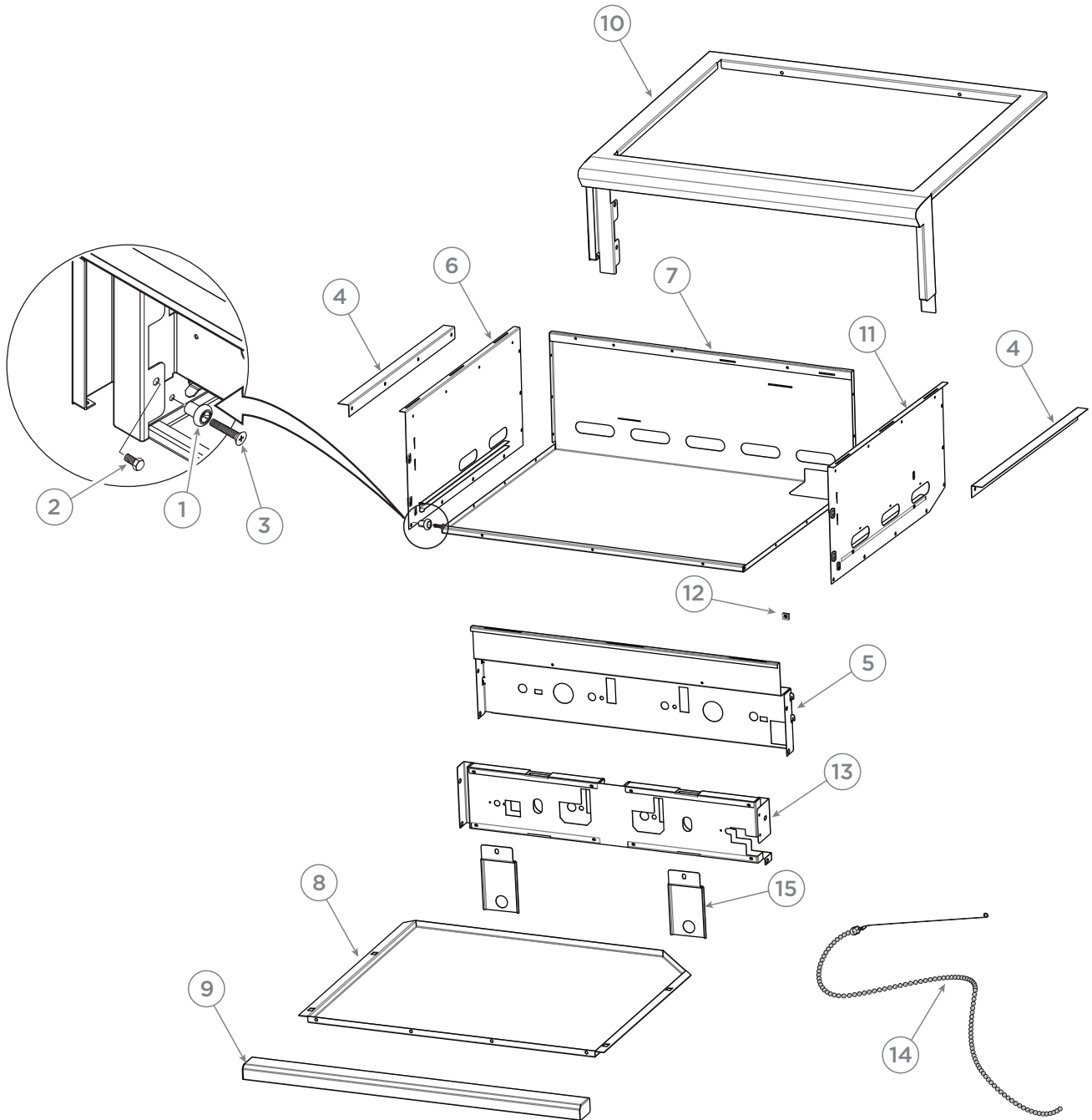
FIREBOX COMPONENTS



FIREBOX COMPONENTS

REFERENCE	PART NUMBER	PART DESCRIPTION
1	254412	FIREBOX W/A GDE1-30
2	254408	BRACKET THERMOCOUPLE
3	254337	GDE1 BAFFLE LOWER ASSY LH
4	254316	GDE1 BAFFLE LOWER ASSY
5	573746	CLIP
6	251834	BRACKET MOUNTING HSI
7	254304P	IGNITER HSI GDE SP
8	254473	ADAPTER HSI GDE1-30
NI	211242P	MS 10-24X PH PN TY F SS (10 PK)
NI	239315	FIREBOX REPLACEMENT PIN

STRUCTURE COMPONENTS



STRUCTURE COMPONENTS

REFERENCE	PART NUMBER	PART DESCRIPTION
1	211090P	RACK ROLLER VERTICAL (PKD)
2	240208P	HEX BOLT ¼ - 20 X 3/8 SS (10 PK)
3	250184P	MS 10-24X1 PH FLT SS (PKT10)
4	224769	ANGLE, GRILL SUPPORT
NI	211242P	MS 10-24X PH PN TY F SS (10 PK)
5	254335	BAFFLE FRONT GDE1-30
6	240059	SIDE OUTER W/A, LH
7	240010	BOTTOM BACK, BFG-30
8	240521	DRIP PAN, BFG30-GL / GD
9	254488	HANDLE DRIP PAN BE1-30 W GFX
NI	218150	NUT HEX 10-24 KEPS SS (10 PK)
NI	211278P	SCREW 10-24 X 3/8 PH SS (PKT 10)
10	254140P	LANDING LEDGE WA BE1-30AG SP
11	240060	SIDE OUTER W/A, RH
12	211408P	NUT W/RET 1/4-20 BLK (10PK)
NI	211279P	MS 6-32X5/8 PH RD HD SS (10PK)
NI	211393P	NUT KEPS 6-32 SS (10PK)
13	254396	BAFFLE INSULATED ASSY GDE1-30
14	240757	WAND MATCH LIGHT ASSY
15	254330	BRACKET JET HOLDER GDE1-30
NI	240469	TRIM EDGE

FISHERPAYKEL.COM

© Fisher & Paykel Appliances Ltd 2020. All rights reserved.

The product specifications in this document apply to the specific products and models described at the date of issue. Under our policy of continuous product improvement, these specifications may change at any time. You should therefore check with your Dealer to ensure this document correctly describes the product currently available.

For current details about model and specification availability in your country, go to our website fisherpaykel.com or contact your local Fisher & Paykel dealer

PRODUCT CODE: 71465-A 12.20