



OUTDOOR GRIDDLE/SIDE BURNER



GDSBE1-302-N DCS US CA

PRODUCT CODE: 71417-A

PARTS MANUAL

US CA

INTRODUCTION

BRAND	VOLTAGE	MODEL	PRODUCT CODE
Fisher & Paykel	120VAC 60Hz	GDSBE1-302-N DCS CA	71417-A

MODEL

The model covered by this manual is listed on the front cover. The information detailed in this manual is subject to change without notice. The latest version is indicated by the reprint date and replaces any earlier editions.

KIT PARTS

Where a part number is shown against the descriptions for kit components, they are also available as separate items. In addition, some parts may be supplied with these kits that are not available as separate items, and are therefore either not listed, or a part number is not shown against the part description in this manual.

PARTS LIST KEY

NI	As a part reference, indicates the part is not illustrated on the diagram.
NOT USED	As a part number, indicates the diagram part reference is not used in this manual.
NS	As a part number, indicates the part is not servicable.

US

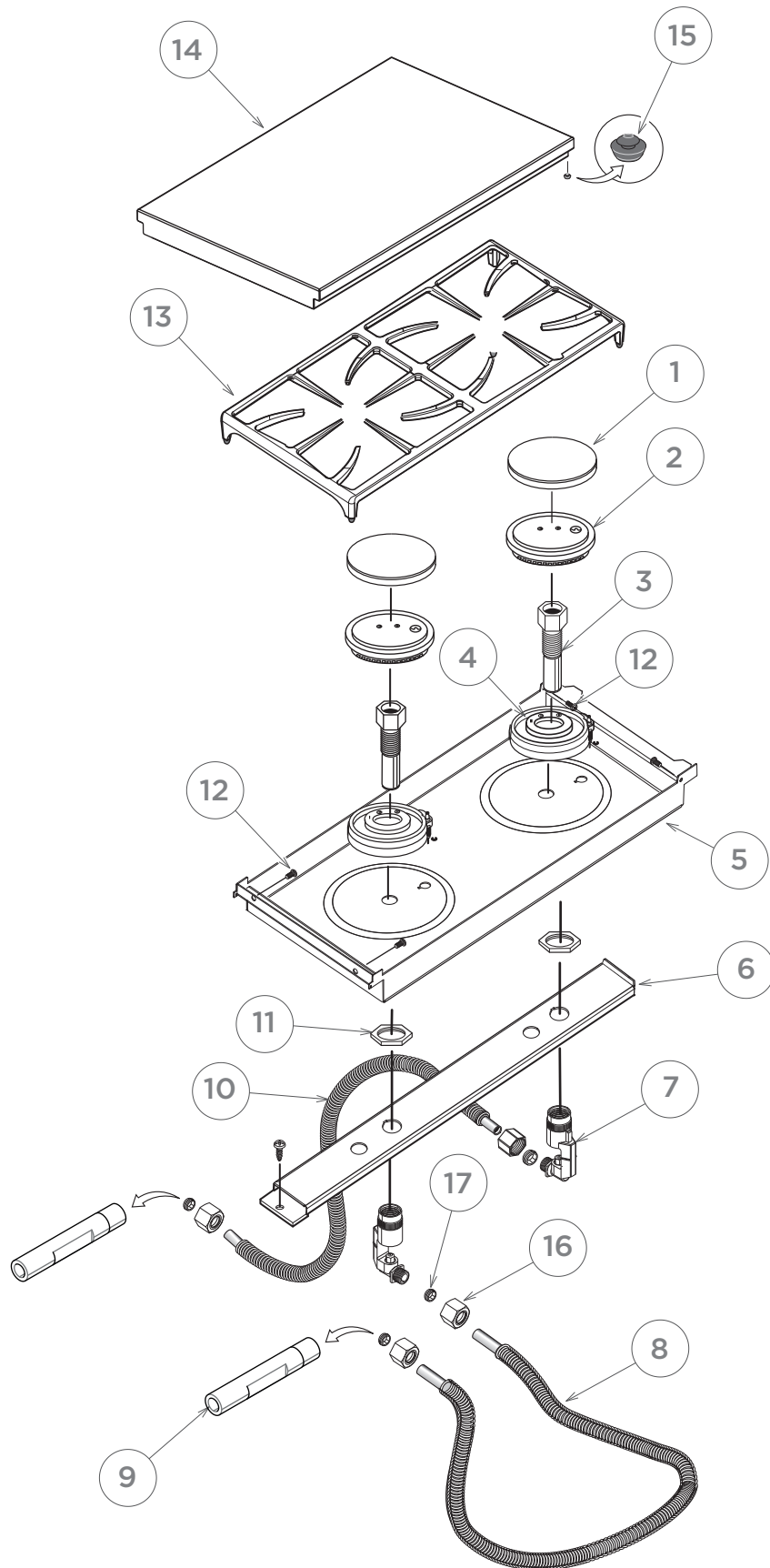
Fisher & Paykel Appliances Inc.
695 Town Center Drive, Suite 180
Costa Mesa.
CA 92626-1902
USA

Customer Care: 1-888-936-7872
Fax: (714) 372-7003
email: customer.care@fisherpaykel.com

CONTENTS

Introduction	1
Side burner components	3
Valve panel components	5
Manifold components	7
Wiring & electrical components	9
Griddle components	11
Structure components	13

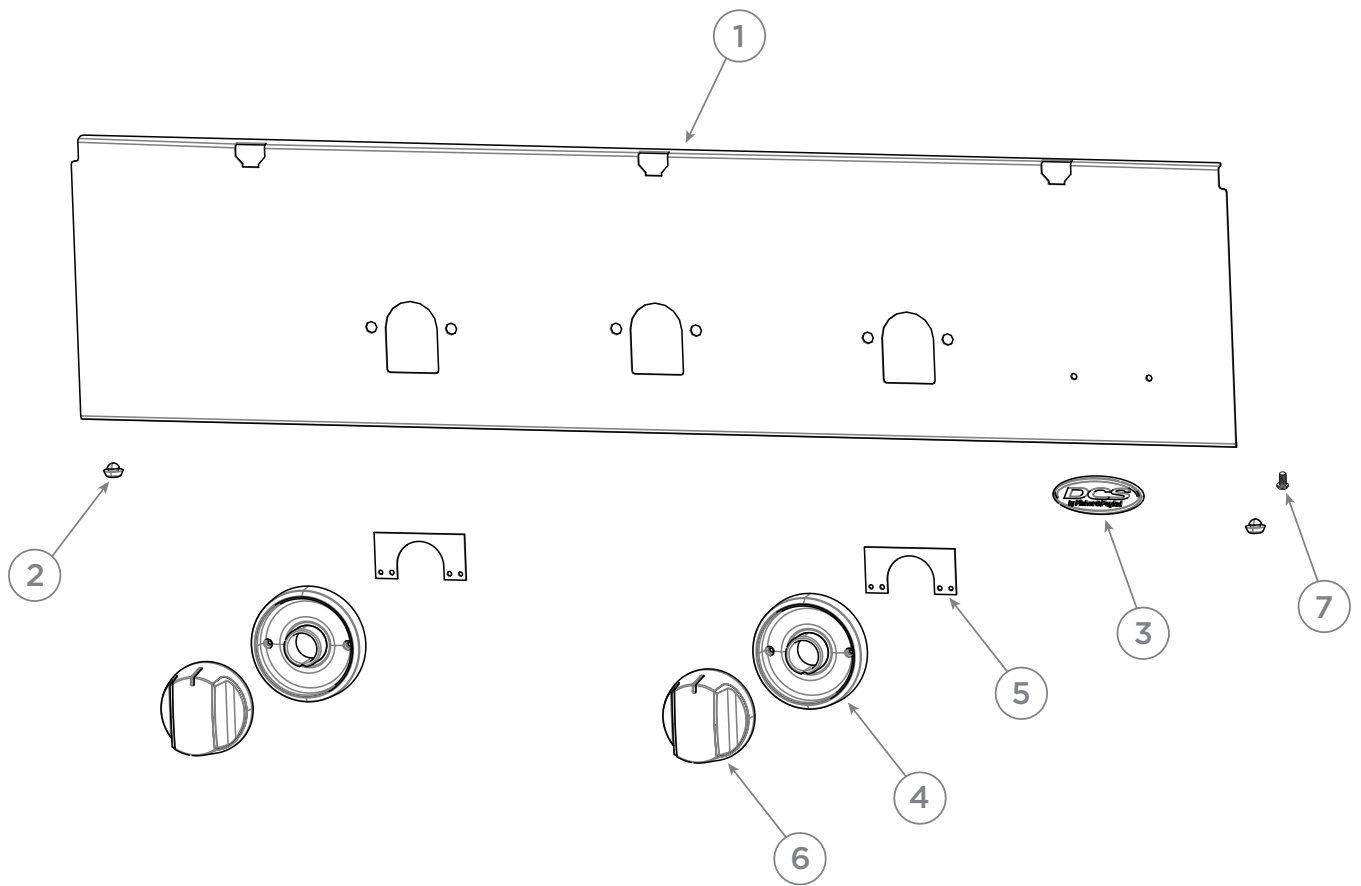
SIDE BURNER COMPONENTS



SIDE BURNER COMPONENTS

REFERENCE	PART NUMBER	PART DESCRIPTION
1	210608P	D BURNER CAP (1PK)
2	250353	RING PORT E-BURNER
3	210643	VENTURI SINGLE FLOW BURNER
4	210639	12321D BURNER DCS
5	240190	BURNER PAN BFG
6	240049	BURNER HANGER
NI	218132	SM10-24X1/2PH TRU TY23 4SS
7	210536	JET HOLDER D 17 K NG
8	240206	FLEX TUBE 5/16, S.S., 12"
9	254423	VALVE EXTENSION BRASS
10	240207	FLEX TUBE 5/16, S.S., 22"
11	210468P	NUT M22 JET HOLDER (PKD)
12	211242P	MS 10-24 X 1/2 PH PN TY F SS (10 PK)
13	210645	GRATE BGB 132
14	254261P	LID ASSY SBE1-142 SP
15	212359P	RUBBER BUMPER (4PK)
16	212312P	B-NUT 5/16 (10-PK)
17	212313P	SLEEVES 5/16 (10-PK)
NI	592075	BK UG DCS GRDL BRNR 30 USCA
NI	592076	BK INSTL DCS GRDL BRNR 30 USCA
NI	590912	BK SRVCE/W'NTY OUTDR DCS USCA

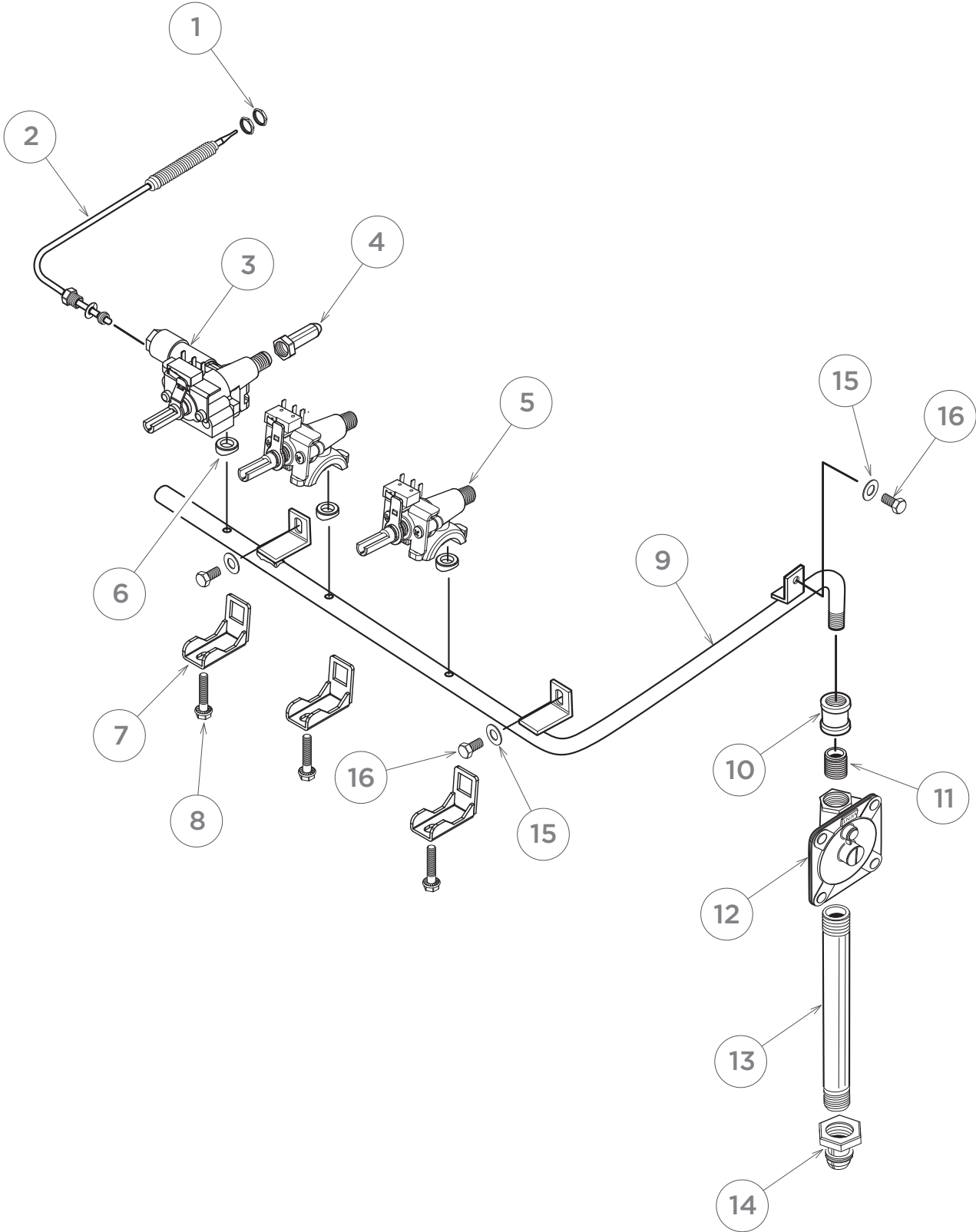
VALVE PANEL COMPONENTS



VALVE PANEL COMPONENTS

REFERENCE	PART NUMBER	PART DESCRIPTION
1	254454P	VALVE PANEL GDSBE1-302 GFX SP
2	212359P	RUBBER BUMPER (4PK)
3	237567	BADGE, 2.42"
4	251621	MOD LED BEZEL ORNG WHT 12V
5	251669	PLATE BEZEL SUPPORT BE1
6	251677	DIAL CLIP ASSY DCS BE1
7	211278P	SCREW 10-24 X 3/8 PH SS (PKT 10)

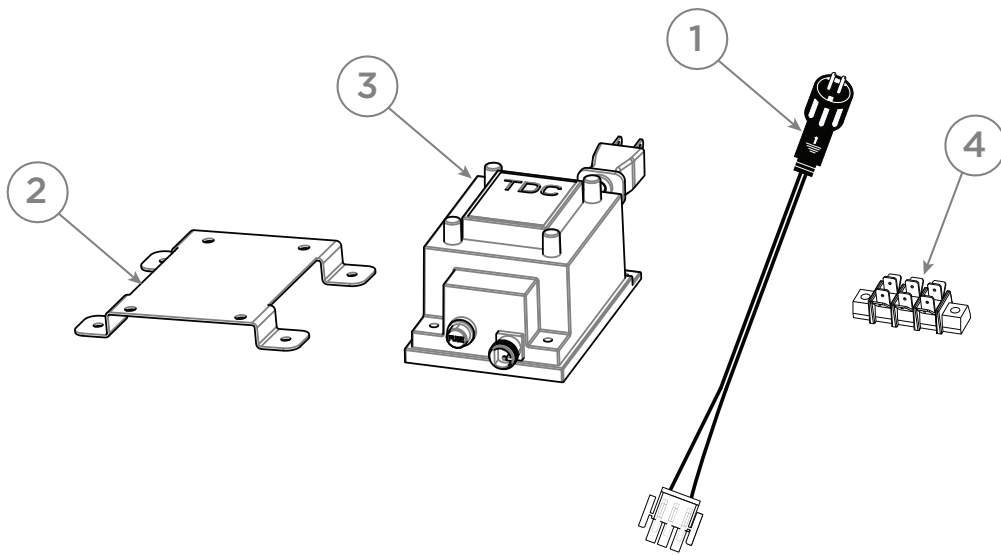
MANIFOLD COMPONENTS



MANIFOLD COMPONENTS

REFERENCE	PART NUMBER	PART DESCRIPTION
1	240381	NUT, HEX M8X1, BRASS
2	240293	THERMOCOUPLE
3	240034	COMBO VALVE, SADDLE
4	240364	JET SPUD LG 1.70MM (51DMS)
5	240185	VALVE SADDLE SMOKER OUTDOOR
6	240379	SEAL, SADDLE VALVE
7	240378	CLAMP, SADDLE VALVE
8	240380	MS M5 X 25, HEX PH WSHR
9	240041	MANIFOLD BFG
10	212138P	COUPLING 1/2 NPT BLACK (PKD)
11	221769P	1/2 NPT X 2.00 NIPPLE BLK (PKD)
12	210765P	REGULATOR - 4.0 WC (PKD)
13	212186P	BLACK NIPPLE 1/2 X 5 (PKD)
14	212155P	1/2 NPT X 3/8 FLARE (PKD)
15	211368P	WASHER FLT SS .313 X .750 (10 PK)
16	211323P	HEX BLT 1/4-20X 1/2 FULL TH SS (10 PK)
NI	241612	KIT CONV NAT TO LP ALL 30" BFG
	Includes 210819	REGULATOR ASSY LP 90 BGB
	Includes 220579	JET SPUD LG 1.51MM (53DMS)
	Includes 238292	JET MAIN 1.25MM
	Includes 240365	JET SPUD LG 1.04MM (59DMS)
	Includes 239586	ELBOW 45,3/8 M FLAREX 1/2F NPT
	Includes	CONVERS INSTRUCT BFG NAT TO LP
	Includes	CONVERSION LABEL BFG NAT TO LP

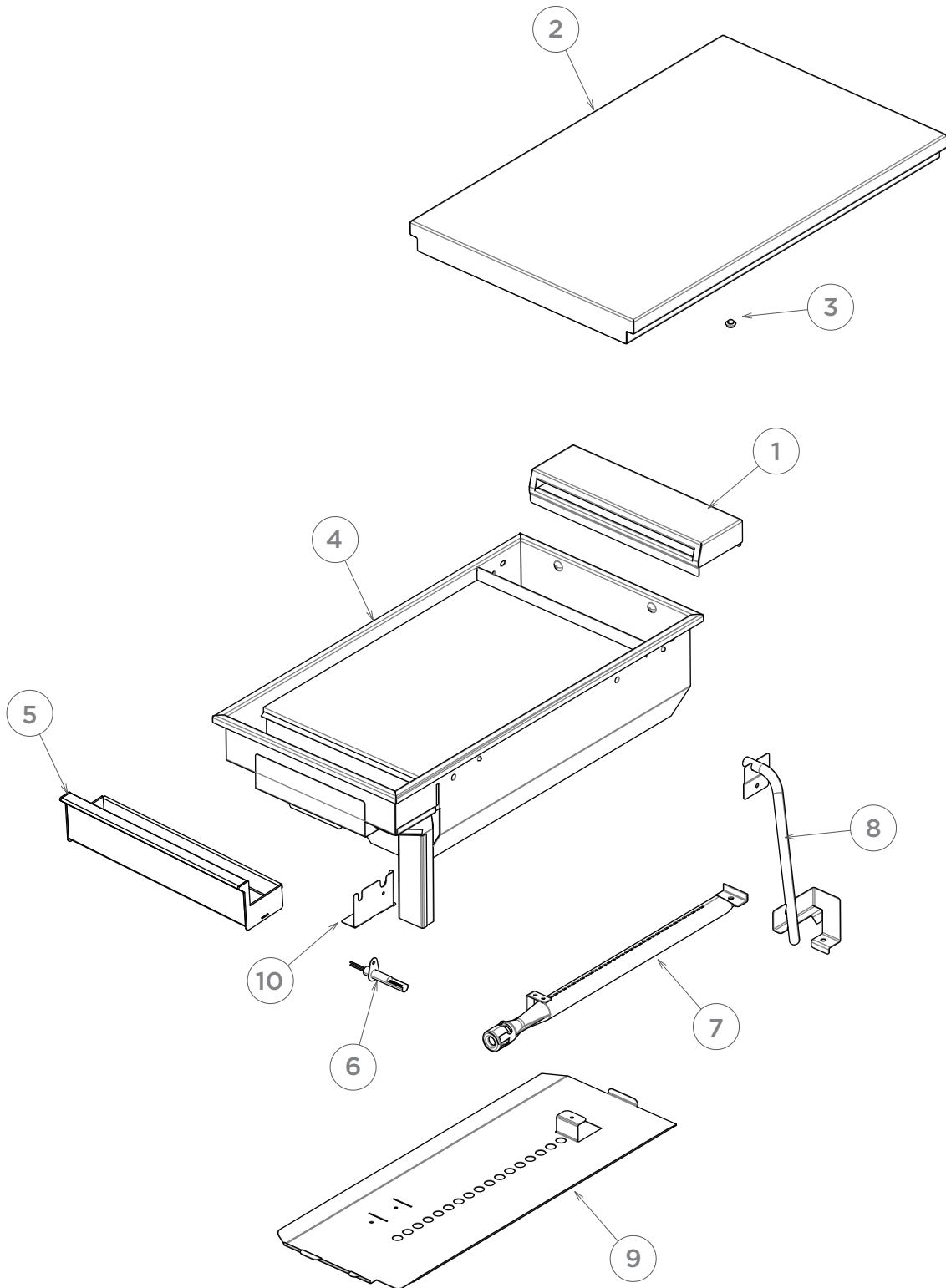
WIRING & ELECTRICAL COMPONENTS



WIRING & ELECTRICAL COMPONENTS

REFERENCE	PART NUMBER	PART DESCRIPTION
NI	254278	HARNESS 30 GRIDDLE DUAL SIDE BURNER
NI	254277	HARNESS INTERNAL POWER
NI	254281	HARNESS BEZEL LINK 190MM
1	254430	CORD POWER 254276 INSPECTED
2	251738	MOUNT POWER SUPPLY GRILL
3	251709	POWER SUPPLY 12V US
NI	211287P	MS 10-24X3/4 PH TRU SS (10PK)
NI	211338	MS 10-24 X 1 SL HXWS SS
NI	211394	NUT KEPS 10-24 SS
4	243935	TERMINAL BLOCK (3-POSITION)
NI	211279P	MS 6-32X5/8 PH RD HD SS (10PK)
NI	211393P	NUT KEPS 6-32 SS (10PK)
NI	71425	POWER SPLITTER BGA-PS DCS (ACCESSORY ONLY)
NI	71422	4FT EXTENSION CABLE BGA-4PC DC (ACCESSORY ONLY)
NI	71423	6FT EXTENSION CABLE BGA-6PC DC (ACCESSORY ONLY)
NI	71424	LIGHT BUTTON BGA-LB DCS (ACCESSORY ONLY)

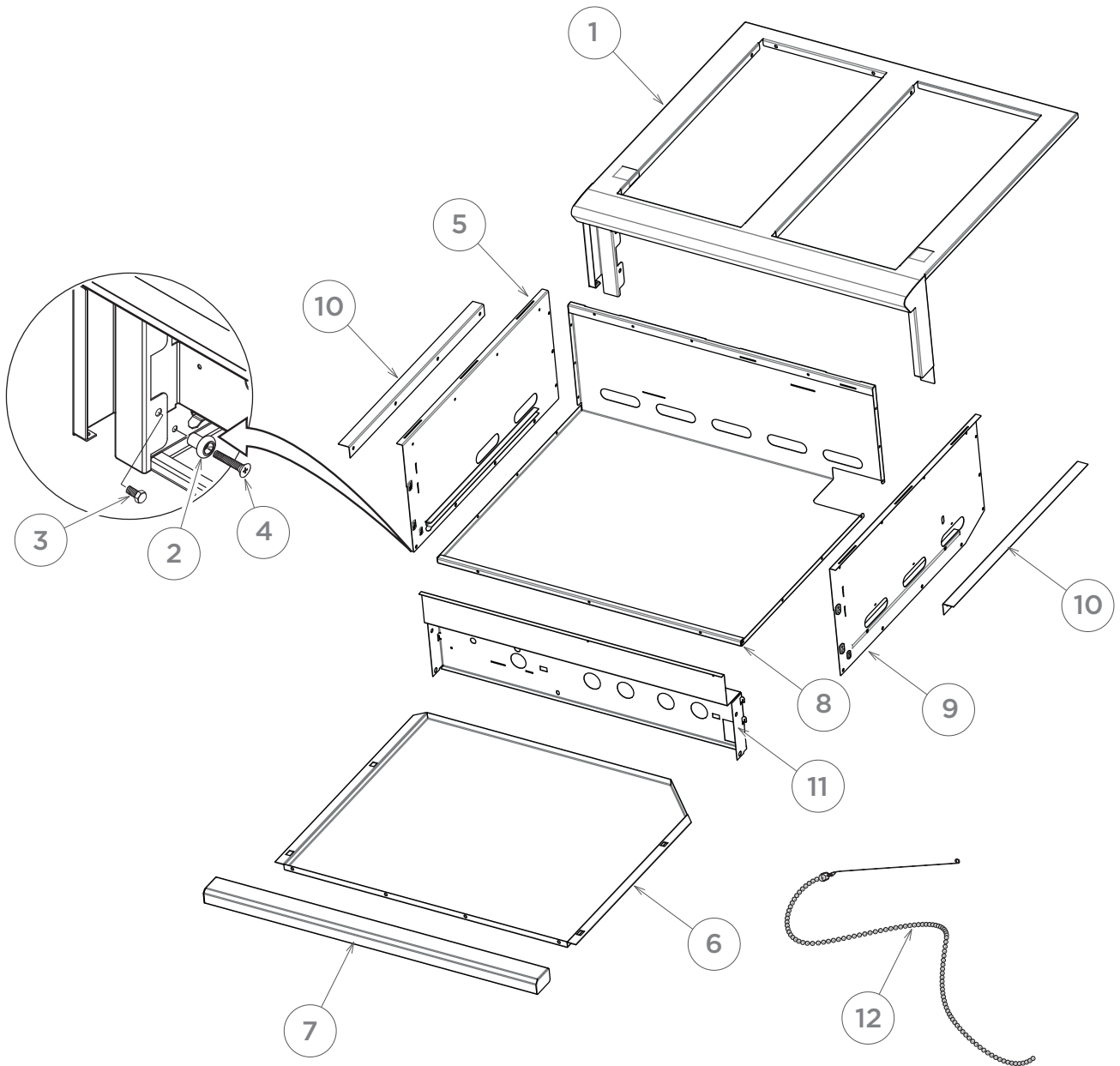
GRIDDLE COMPONENTS



GRIDDLE COMPONENTS

REFERENCE	PART NUMBER	PART DESCRIPTION
1	254484P	VENT REMVBLE REAR GDSBE1302 SP
2	254261P	LID ASSY SBE1-142 SP
3	212359P	RUBBER BUMPER (4PK)
4	241169	WELDMENT, GRIDDLE-BFG
5	240386	GREASE TRAY
NI	211242P	MS 10-24 X 1/2 PH PN TY F SS (10 PK)
NI	237354	MS 10-24 X 3/8 PH TR HD SS (10 PK)
6	254303P	IGNITER HSI GDSBE SP
7	237182	BURNER SMOKER SS
8	240033	FLASH TUBE ASSY, BFG-30BGD
9	240050	HEAT SHIELD GRIDDLE
10	254132	BRACKET THERMOCOUPLE HSI

STRUCTURE COMPONENTS



STRUCTURE COMPONENTS

REFERENCE	PART NUMBER	PART DESCRIPTION
1	254133P	LANDING LEDGE GDSBE1-302 WA SP
2	211090P	RACK ROLLER VERTICAL (PKD)
3	240208P	HEX BOLT ¼ - 20 X 3/8 SS (10 PK)
4	250184P	MS 10-24X1 PH FLT SS (PKT10)
5	240059	SIDE OUTER W/A, LH
6	240521	DRIP PAN, BFG30-GL / GD
NI	211394	NUT KEPS 10-24 SS
NI	211278P	SCREW 10-24 X 3/8 PH SS (PKT 10)
7	254488P	HANDLE DRIP PAN BE1-30 GFX SP
NI	211408P	NUT W/RET 1/4-20 BLK (10 PK)
8	240010	BOTTOM BACK, BFG-30
9	240060	SIDE OUTER W/A, RH
10	224769	ANGLE GRILL SUPPORT
11	241203	BAFFLE, FRONT-BFG-30BGD
NI	211242P	MS 10-24X 1/2 PH PN TY F SS (10 PK)
12	240757	WAND MATCH LIGHT ASSY
NI	254268	BAFFLE INSUL ASSY GDSBE1-30
NI	240469	TRIM EDGE

FISHERPAYKEL.COM

© Fisher & Paykel Appliances Ltd 2020. All rights reserved.

The product specifications in this document apply to the specific products and models described at the date of issue. Under our policy of continuous product improvement, these specifications may change at any time. You should therefore check with your Dealer to ensure this document correctly describes the product currently available.

US CA

PRODUCT CODE: 71417-A 02.20