

DCS

OUTDOOR GRILL

BE1-30AG-L DCS US CA

PRODUCT CODE: 71442-A

PARTS MANUAL

US CA

INTRODUCTION

BRAND	VOLTAGE	MODEL	PRODUCT CODE
Fisher & Paykel	120VAC 60Hz	BE1-30AG-L DCS CA	71442-A

MODEL

The model covered by this manual is listed on the front cover. The information detailed in this manual is subject to change without notice. The latest version is indicated by the reprint date and replaces any earlier editions.

KIT PARTS

Where a part number is shown against the descriptions for kit components, they are also available as separate items. In addition, some parts may be supplied with these kits that are not available as separate items, and are therefore either not listed, or a part number is not shown against the part description in this manual.

PARTS LIST KEY

NI	As a part reference, indicates the part is not illustrated on the diagram.
NOT USED	As a part number, indicates the diagram part reference is not used in this manual.
NS	As a part number, indicates the part is not servicable.

US

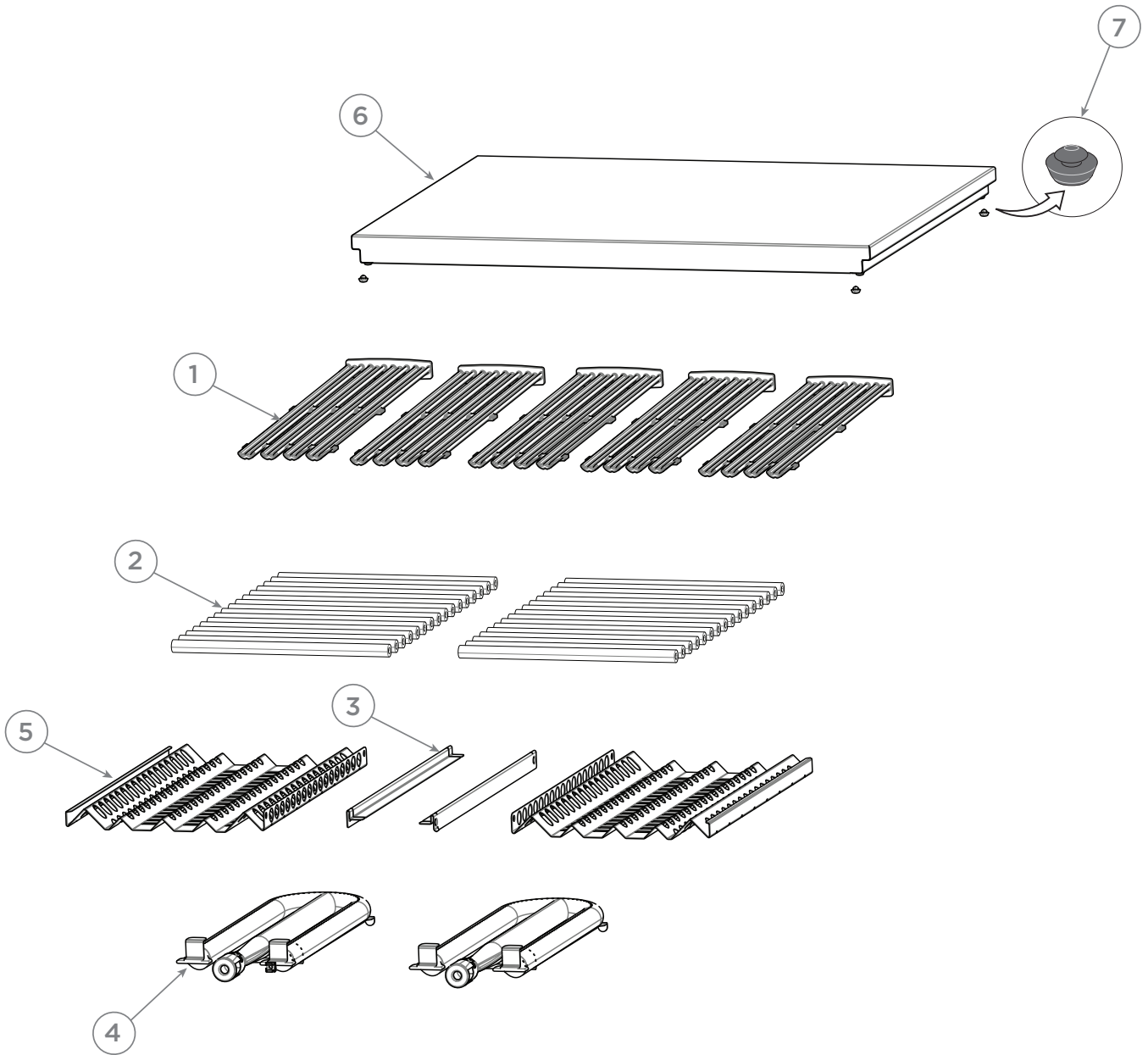
Fisher & Paykel Appliances Inc.
695 Town Center Drive, Suite 180
Costa Mesa.
CA 92626-1902
USA

Customer Care: 1-888-936-7872
Fax: (714) 372-7003
email: customer.care@fisherpaykel.com

CONTENTS

Introduction	1
Grill burner components	3
Valve panel components	5
Manifold components	7
Wiring & electrical components	9
Firebox components	11
Structure components	13

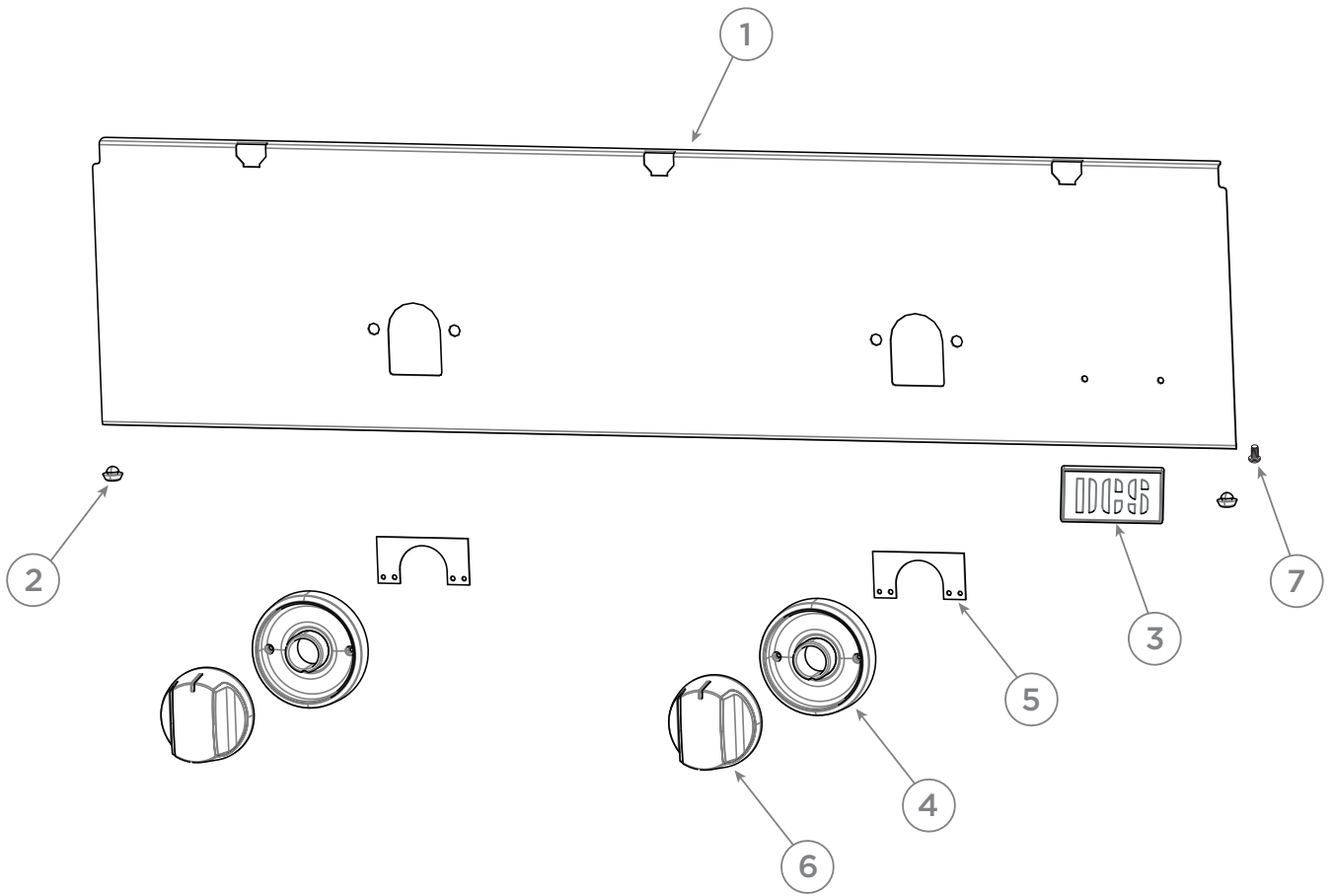
GRILL BURNER COMPONENTS



GRILL BURNER COMPONENTS

REFERENCE	PART NUMBER	PART DESCRIPTION
1	212341P	GRATE BGA GRILLS (PKD)
2	214006P	CERAMIC ROD 9.50 (PKD)
3	214420	LOCK RADIANT BGB30
4	240031	U-BURNER, OUTDOOR COOKTOP
5	214419	HOUSING RADIANT BGB30
6	254259P	LID ASSY BE1-30 SP
7	212359P	RUBBER BUMPER (4PK)
NI	592073	BK UG DCS BE1 GRILL 30 USCA
NI	592074	BK INSTL DCS BE1 GRILL 30 USCA
NI	590912	BK SRVCE/W'NTY OUTDR DCS USCA

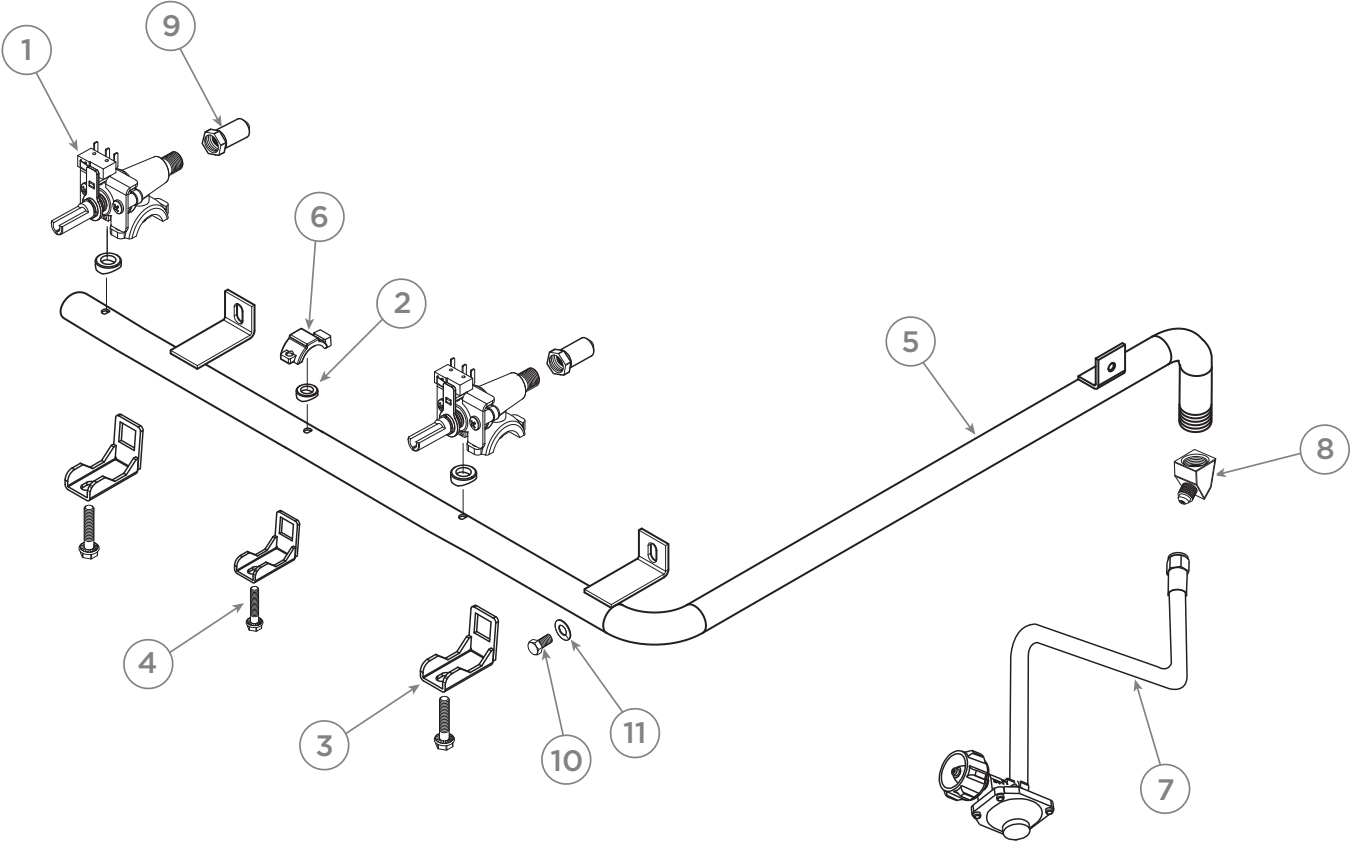
VALVE PANEL COMPONENTS



VALVE PANEL COMPONENTS

REFERENCE	PART NUMBER	PART DESCRIPTION
1	254671P	VALVE PNL BE1-30AG PTD NB SP
2	212359P	RUBBER BUMPER (4PK)
3	254583	BADGE DCS 89 X 49 W/ PIN
4	251621	MOD LED BEZEL ORNG WHT 12V
5	251669	PLATE BEZEL SUPPORT BE1
6	251677	DIAL CLIP ASSY DCS BE1
7	211278P	SCREW 10-24 X 3/8 PH SS (PKT 10)

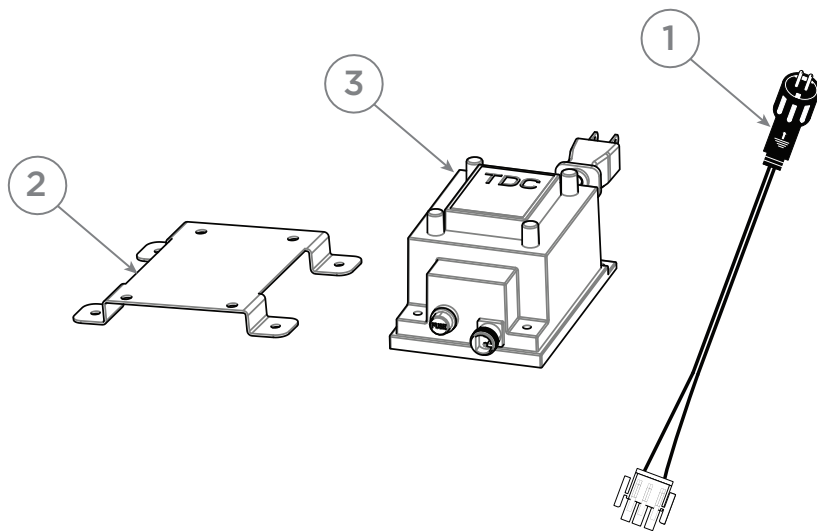
MANIFOLD COMPONENTS



MANIFOLD COMPONENTS

REFERENCE	PART NUMBER	PART DESCRIPTION
1	240184	VALVE SADDLE MAIN, OUTDOOR
2	240379	SEAL, SADDLE VALVE
3	240378	CLAMP, SADDLE VALVE
4	240380	MS M5 X 25, HEX PH WSHR
5	240041	MANIFOLD BFG
6	240294	PLUG, SADDLED
7	210819P	90 DEG/HOSE ASSY QCC-1 (PKD)
8	239586	ELBOW 45 3/8 M FLAREX 1/2F NPT
9	220579	JET SPUD LG 1.51MM (53DMS)
10	211323P	HB 1/4-20 X 1/2 X FULL SS (10PK)
11	211368P	WSHR FLT .313 X .750 SS (10PK)
NI	241611	KIT CONV LP TO NAT ALL 30" BFG
	Includes 210765	REGULATOR - 4.0 WC
	Includes 212138	COUPLING 1/2 NPT BLACK
	Includes 212186	BLACK NIPPLE 1/2 X 5
	Includes 220576	JET SPUD LG 2.44MM (41DMS)
	Includes 240364	JET SPUD LG 1.70MM (51DMS)
	Includes 210400	JET MAIN 2.00MM (47DMS)
	Includes 212155	1/2 NPT X 3/8 FLARE
	Includes 221769	1/2 NPT X 2.00 NIPPLE BLK
	Includes	CONVERS. INSTRUCT. BFG, LP TO NG
	Includes	CONVERSION LABEL BFG, LP TO NG

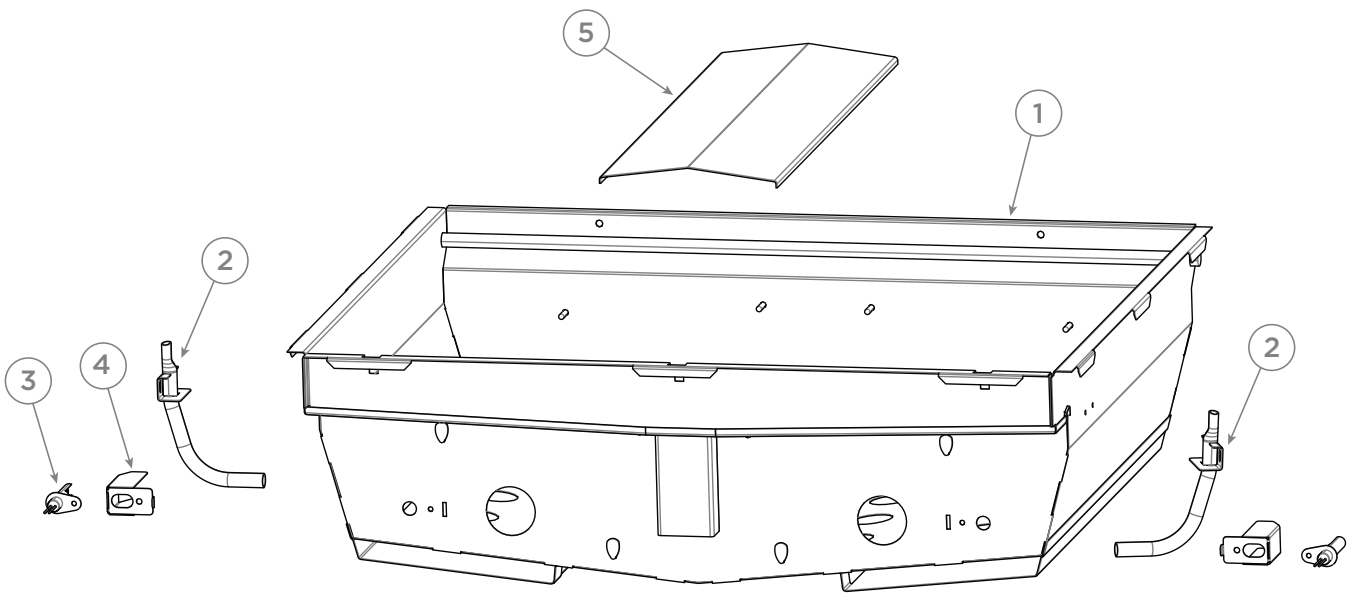
WIRING & ELECTRICAL COMPONENTS



WIRING & ELECTRICAL COMPONENTS

REFERENCE	PART NUMBER	PART DESCRIPTION
NI	254275	HARNESS 30 GRILL BURNER
NI	254277	HARNESS INTERNAL POWER
NI	254284	HARNESS BEZEL LINK 360MM
1	254430	CORD POWER 254276 INSPECTED
2	251738	MOUNT POWER SUPPLY GRILL
3	251709	POWER SUPPLY 12V US
NI	71425	POWER SPLITTER BGA-PS DCS (ACCESSORY ONLY)
NI	71422	4FT EXTENSION CABLE BGA-4PC DC (ACCESSORY ONLY)
NI	71423	6FT EXTENSION CABLE BGA-6PC DC (ACCESSORY ONLY)
NI	71424	LIGHT BUTTON BGA-LB DCS (ACCESSORY ONLY)

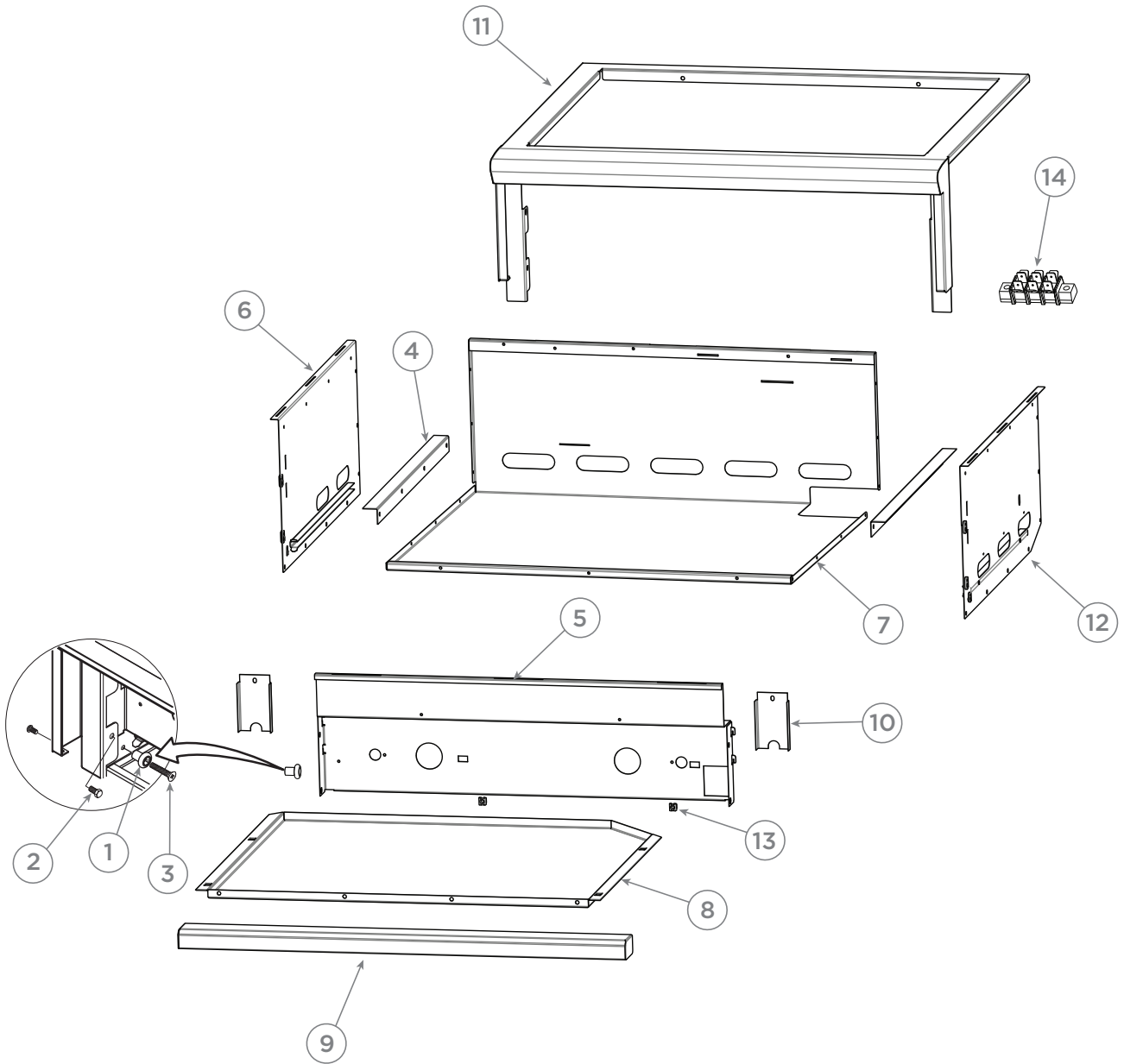
FIREBOX COMPONENTS



FIREBOX COMPONENTS

REFERENCE	PART NUMBER	PART DESCRIPTION
1	240054	FIREBOX ASSY, BFG-30
NI	211323P	HEX BLT 1/4-20 X 1/2 FULL TH SS (10 PK)
NI	238792P	MS1/4-20X1/2BNSKTCAPHDSS(10PK)
2	240375	FLASH TUBE W/A, BFG-30G
3	254304P	IGNITOR HSI GDE SP
4	251834	BRACKET MOUNTING HSI
5	240201	HEAT SHIELD, BFG-30G
NI	211242P	MS 10-24X PH PN TY F SS (10 PK)
NI	239315	FIREBOX REPLACEMENT PIN

STRUCTURE COMPONENTS



STRUCTURE COMPONENTS

REFERENCE	PART NUMBER	PART DESCRIPTION
1	211090P	RACK ROLLER VERTICAL (PKD)
2	240208P	HEX BOLT ¼ - 20 X 3/8 SS (10 PK)
3	250184P	MS 10-24X1 PH FLT SS (PKT10)
4	224769	ANGLE, GRILL SUPPORT
NI	211242P	MS 10-24X PH PN TY F SS (10 PK)
5	240011	FRONT BAFFLE, BFG-30G
6	240059	SIDE OUTER W/A, LH
7	240010	BOTTOM BACK, BFG-30
8	240521	DRIP PAN, BFG30-GL / GD
9	254488P	HANDLE DRIP PAN BE1-30 GFX SP
NI	218150	NUT HEX 10-24 KEPS SS (10 PK)
NI	211278P	SCREW 10-24 X 3/8 PH SS (PKT 10)
10	240509	SHIELD, HEAT, VALVE SWITCH-BF
11	254140P	LANDING LEDGE WA BE1-30AG SP
12	240060	SIDE OUTER W/A, RH
13	211408P	NUT W/RET 1/4-20 BLK (10PK)
14	243935	TERMINAL BLOCK (3-POSITION)
NI	211279P	MS 6-32X5/8 PH RD HD SS (10PK)
NI	211393P	NUT KEPS 6-32 SS (10PK)
15	254243	BAFFLE INSULATED ASSY E1-30
NI	240469	TRIM EDGE

FISHERPAYKEL.COM

© Fisher & Paykel Appliances Ltd 2020. All rights reserved.

The product specifications in this document apply to the specific products and models described at the date of issue. Under our policy of continuous product improvement, these specifications may change at any time. You should therefore check with your Dealer to ensure this document correctly describes the product currently available.

For current details about model and specification availability in your country, go to our website fisherpaykel.com or contact your local Fisher & Paykel dealer

PRODUCT CODE: 71442-A 12.20