

This Owner's Manual is provided and hosted by [Appliance Factory Parts](http://www.appliancefactoryparts.com).



DCS SBE1-142-N Owner's Manual

[Shop genuine replacement parts for DCS SBE1-142-N](#)



[Find Your DCS Grill Parts - Select From 274 Models](#)

----- Manual continues below -----

DCS

SIDE BURNER

SBE1-142-L DCS US CA

PRODUCT CODE: 71420-A

PARTS MANUAL

US CA

INTRODUCTION

BRAND	VOLTAGE	MODEL	PRODUCT CODE
Fisher & Paykel	120VAC 60Hz	SBE1-142-L DCS CA	71420-A

MODEL

The model covered by this manual is listed on the front cover. The information detailed in this manual is subject to change without notice. The latest version is indicated by the reprint date and replaces any earlier editions.

KIT PARTS

Where a part number is shown against the descriptions for kit components, they are also available as separate items. In addition, some parts may be supplied with these kits that are not available as separate items, and are therefore either not listed, or a part number is not shown against the part description in this manual.

PARTS LIST KEY

NI	As a part reference, indicates the part is not illustrated on the diagram.
NOT USED	As a part number, indicates the diagram part reference is not used in this manual.
NS	As a part number, indicates the part is not servicable.

US

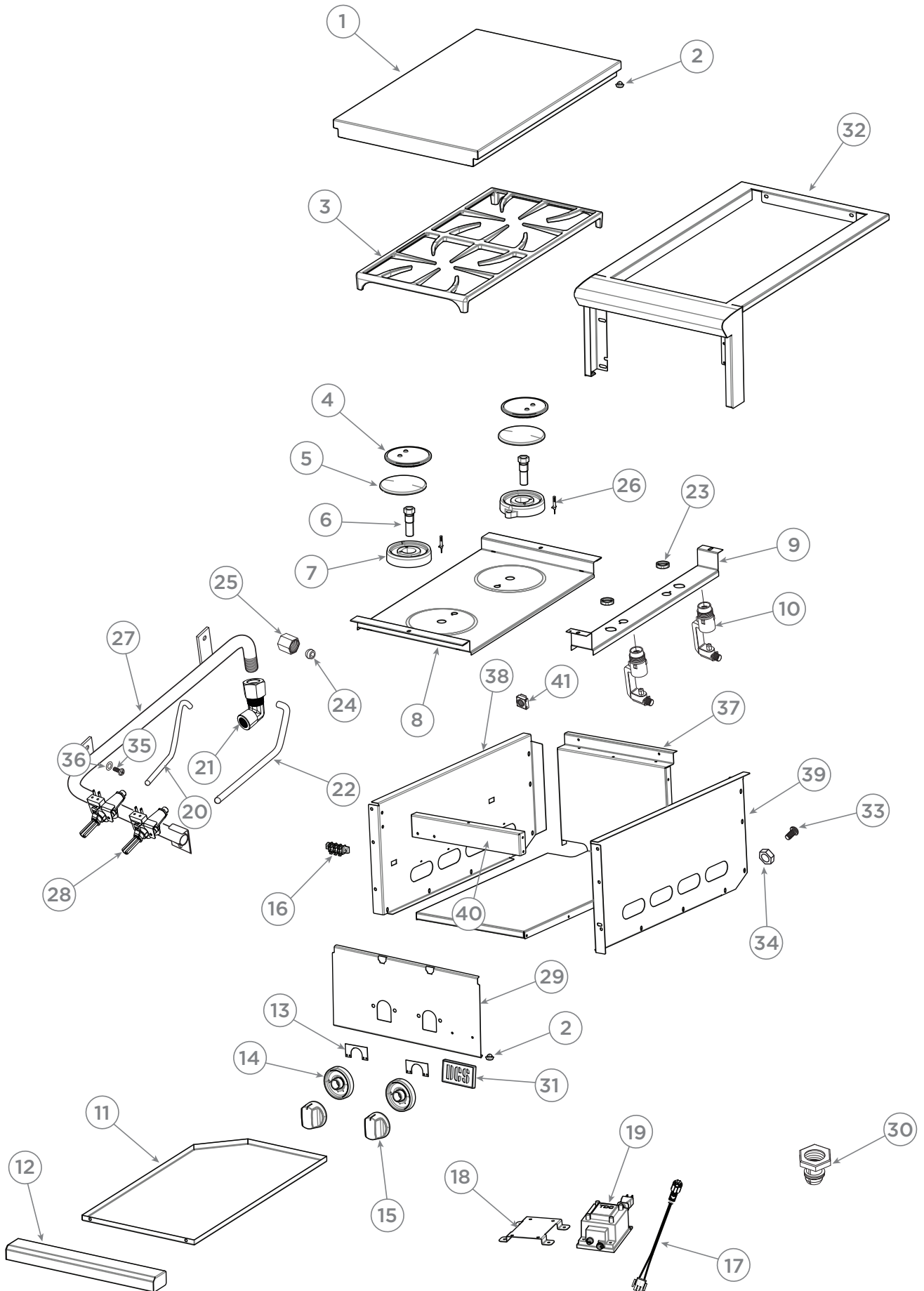
Fisher & Paykel Appliances Inc.
695 Town Center Drive, Suite 180
Costa Mesa.
CA 92626-1902
USA

Customer Care: 1-888-936-7872
Fax: (714) 372-7003
email: customer.care@fisherpaykel.com

CONTENTS

Introduction	1
Side burner components	3

SIDE BURNER COMPONENTS

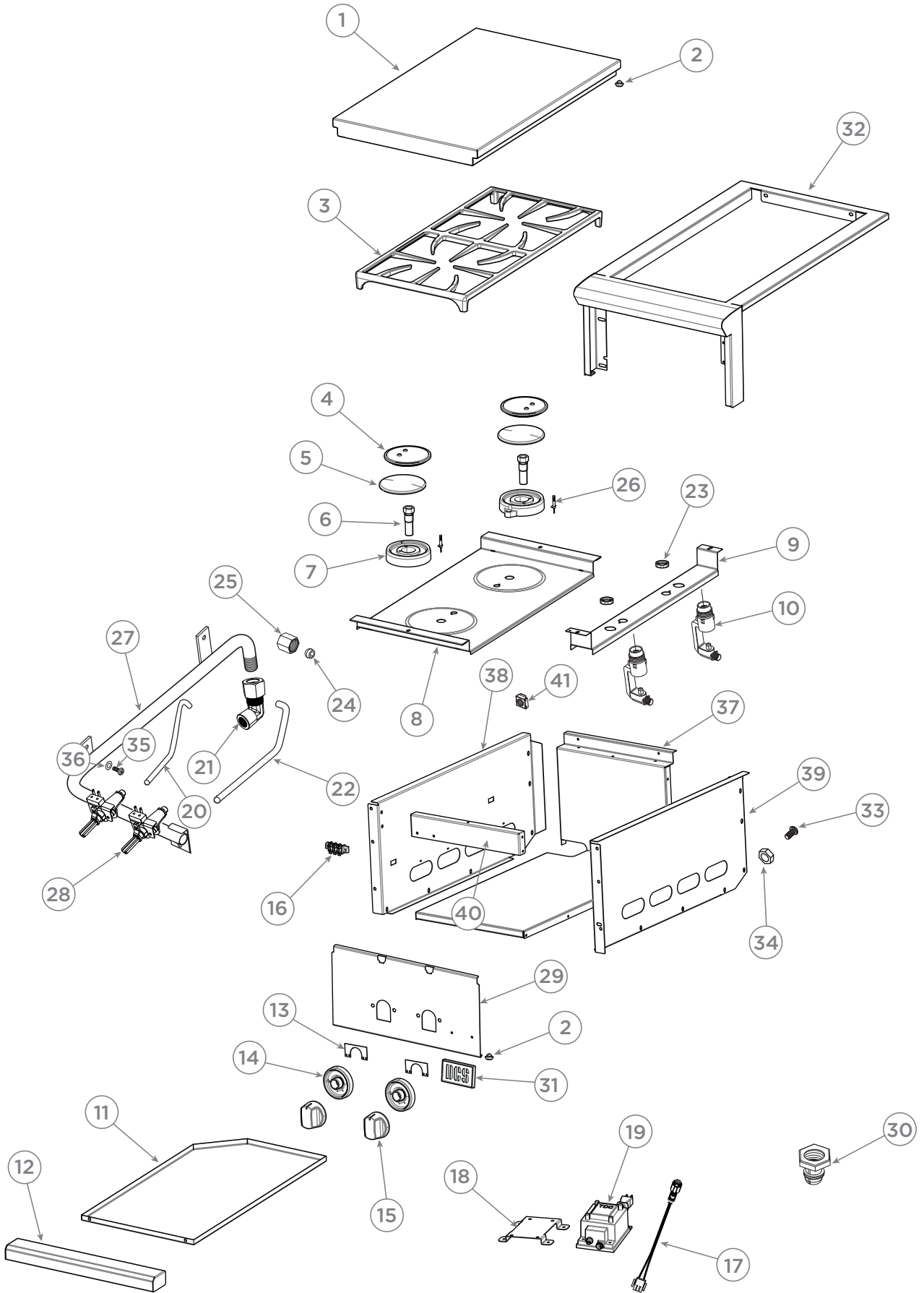


DWG 005632

SIDE BURNER COMPONENTS

REFERENCE	PART NUMBER	PART DESCRIPTION
1	254261P	LID ASSY SBE1-142 SP
2	212359P	RUBBER BUMPER (4PK)
3	210645	GRATE BGB 132
4	210608P	D BURNER CAP (1PK)
5	250353	RING PORT E-BURNER
6	210643	VENTURI SINGLE FLOW BURNER
7	210639	BASE D BURNER DCS
8	224931	PLATE SUPPORT BURNER BGB132-BI
9	224817	HANGER BURNER BQR
10	210536	JET HOLDERS D 17K
11	214164	DRIP PAN 132D BI
NI	211287P	MS 10-24X3/4 PH TRU SS (10PK)
NI	211394	NUT KEPS 10-24 SS
12	254490P	HANDLE DRIP PAN SBE1-142 GFX SP
13	251669	PLATE BEZEL SUPPORT BE1
14	251621	MOD LED BEZEL ORNG WHT 12V
15	251677	DIAL CLIP ASSY DCS BE1
NI	254273	HARNESS 14 DUAL SIDE BURNER
NI	254277	HARNESS INTERNAL POWER
NI	251717	HARNESS BEZEL LINK SHORT
16	243935	TERMINAL BLOCK (3-POSITION)
NI	211279P	MS 6-32X5/8 PH RD HD SS (10PK)
NI	211393P	NUT KEPS 6-32 SS (10PK)
17	254430	CORD POWER 254276 INSPECTED
18	251738	MOUNT POWER SUPPLY GRILL
19	251709	POWER SUPPLY 12V US
NI	211287P	MS 10-24X3/4 PH TRU SS (10PK)
NI	211338	MS 10-24 X 1 SL HXWS SS
NI	211394	NUT KEPS 10-24 SS
20	221956	TUBING BACK BURNER BGB131/132
21	212396	ELBOW 1/8 NPT X 5/16 TOD
22	212399	TUBING FRONT BURNER BGB131/132

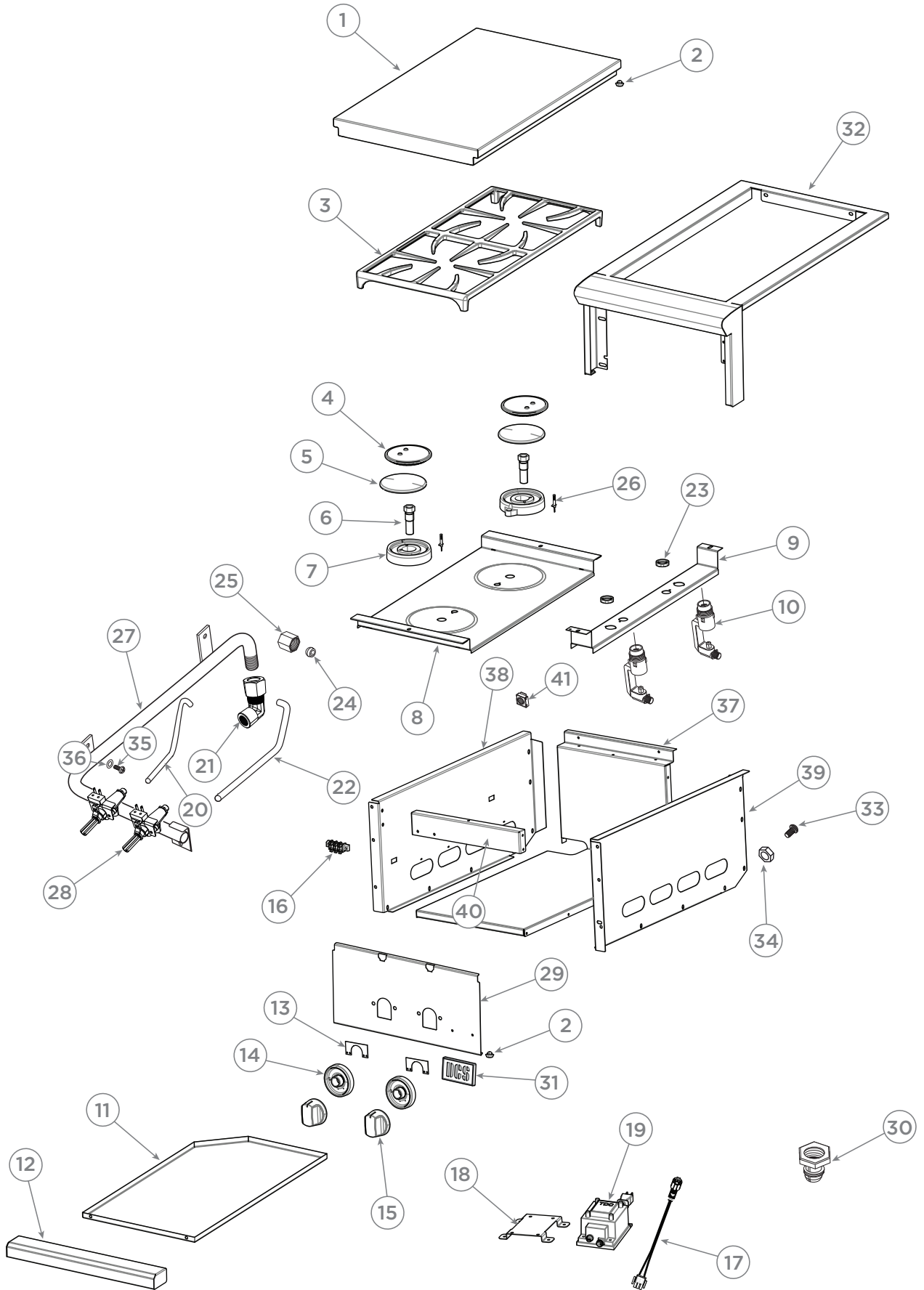
SIDE BURNER COMPONENTS



SIDE BURNER COMPONENTS

REFERENCE	PART NUMBER	PART DESCRIPTION
23	210468P	NUT M22 JET HOLDER (PKD)1
24	212313P	SLEEVES 5/16 (PKD)
25	212312P	B-NUT 5/16 (PKD)
26	254303P	IGNITER HSI GDSBE SP
27	212296	MANIFOLD DCS 132
28	251686P	GAS VALVE BGC BLUE (1 PKD)
29	254681P	VALVE PNL SBE1-142 PTD B SP
NI	211303P	SCREW 8-32 X 5/8 TORX FL HD (10PK)
NI	212168	TEE FLARE 3/8
30	212155P	1/2 X 3/8 FLARE (PKD)
NI	210780P	L.P. HOSE (PKD)
NI	210781	HOSE 5-16 X 30 3-8 F FL
31	254586	BADGE DCS 65 X 36 W/ PIN
NI	211419P	LOGO - CLIP (2 PACK)
32	254124P	LANDING LEDGE WA SBE1-142 SP
33	211287P	MS 10-24X3/4 PH TRU SS (10PK)
34	218150	NUT HEX 10-24 KEPS SS (10PK)
35	211323P	HEX BOLT 1/4-20 X 1/2 FULL SS (10PK)
36	211362P	WASHER FLT ZN .250 (PK10)
37	224623	BURNER BOX BOTTOM BGA132 BI
38	254517	SIDE GRILL BOX LH SBE1-142
38	254516	SIDE GRILL BOX RH SBE1-142
40	254508	BAFFLE FRONT SBE1-142
41	211408P	NUT W/RET 1/4-20 BLK (10PK)
NI	240469	TRIM EDGE
NI	592071	BK UG DCS DBL S BRNR 14 USCA
NI	592072	BK INSTL DCS DBL S BRNR 14 USC
NI	590912	BK SRVCE/W'NTY OUTDR DCS USCA
NI	71425	POWER SPLITTER BGA-PS DCS (ACCESSORY ONLY)
NI	71422	4FT EXTENSION CABLE BGA-4PC DC (ACCESSORY ONLY)
NI	71423	6FT EXTENSION CABLE BGA-6PC DC (ACCESSORY ONLY)
NI	71424	LIGHT BUTTON BGA-LB DCS (ACCESSORY ONLY)

SIDE BURNER COMPONENTS



DWG 005632

SIDE BURNER COMPONENTS

REFERENCE	PART NUMBER	PART DESCRIPTION
NI	70755	KIT CONV LP TO NAT BGB131/132
	Includes 210400	JET MAIN 2.00MM (47DMS)
	Includes 210765	REGULATOR 4.0 WC
	Includes 221769	1/2 NPT 2.0 NIPPLE BLACK
	Includes 212138	COUPLING 1/2 NPT BLACK
	Includes 212155	1/2 NPT X 3/8 FLARE
	Includes 590996	INSTR CONV LP-NG BGC131-132
	Includes	CONVERSION LABEL LP TO NAT
	Includes	LABEL NATURAL GAS DCS

FISHERPAYKEL.COM

© Fisher & Paykel Appliances Ltd 2020. All rights reserved.

The product specifications in this document apply to the specific products and models described at the date of issue. Under our policy of continuous product improvement, these specifications may change at any time. You should therefore check with your Dealer to ensure this document correctly describes the product currently available.

For current details about model and specification availability in your country, go to our website fisherpaykel.com or contact your local Fisher & Paykel dealer

PRODUCT CODE: 71472-A 12.20