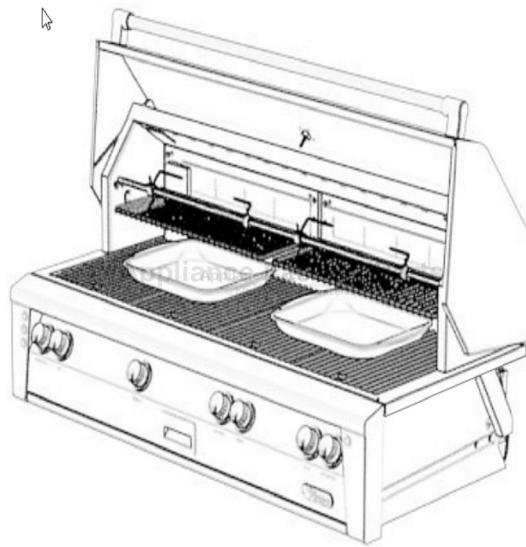


This Owner's Manual is provided and hosted by [Appliance Factory Parts](#).



# Alfresco ALXE56BFG Owner's Manual

[Shop genuine replacement parts for Alfresco  
ALXE56BFG](#)

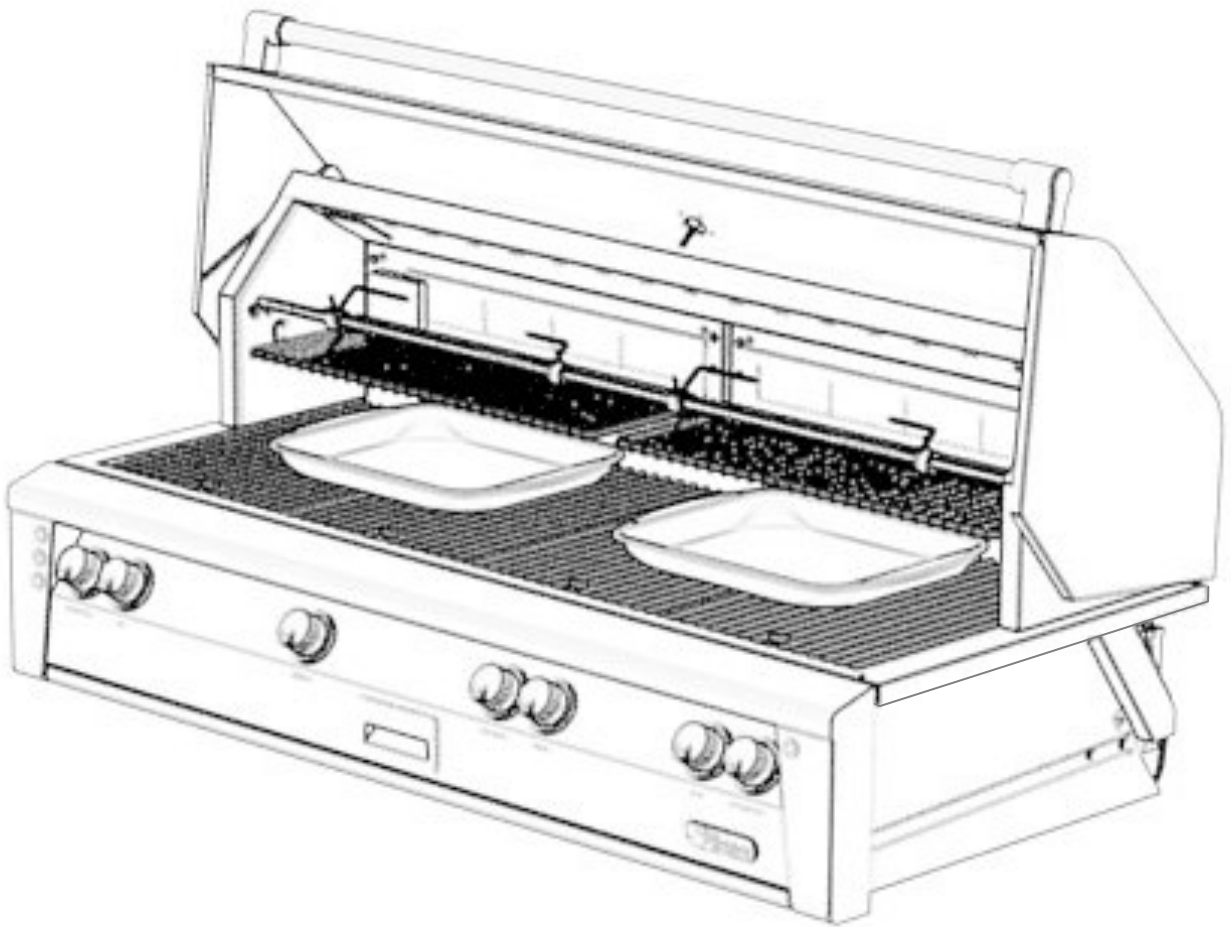


[Find Your Alfresco Grill Parts - Select From 126 Models](#)

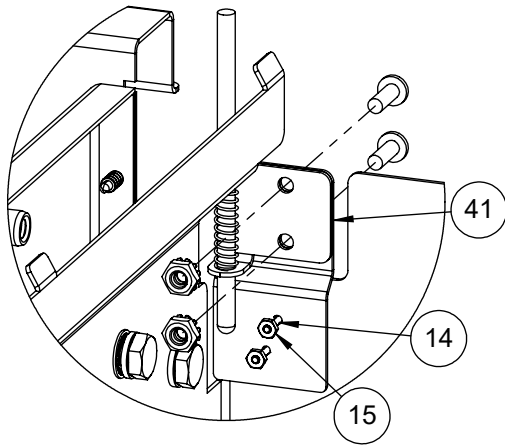
----- Manual continues below -----

# Alfresco™

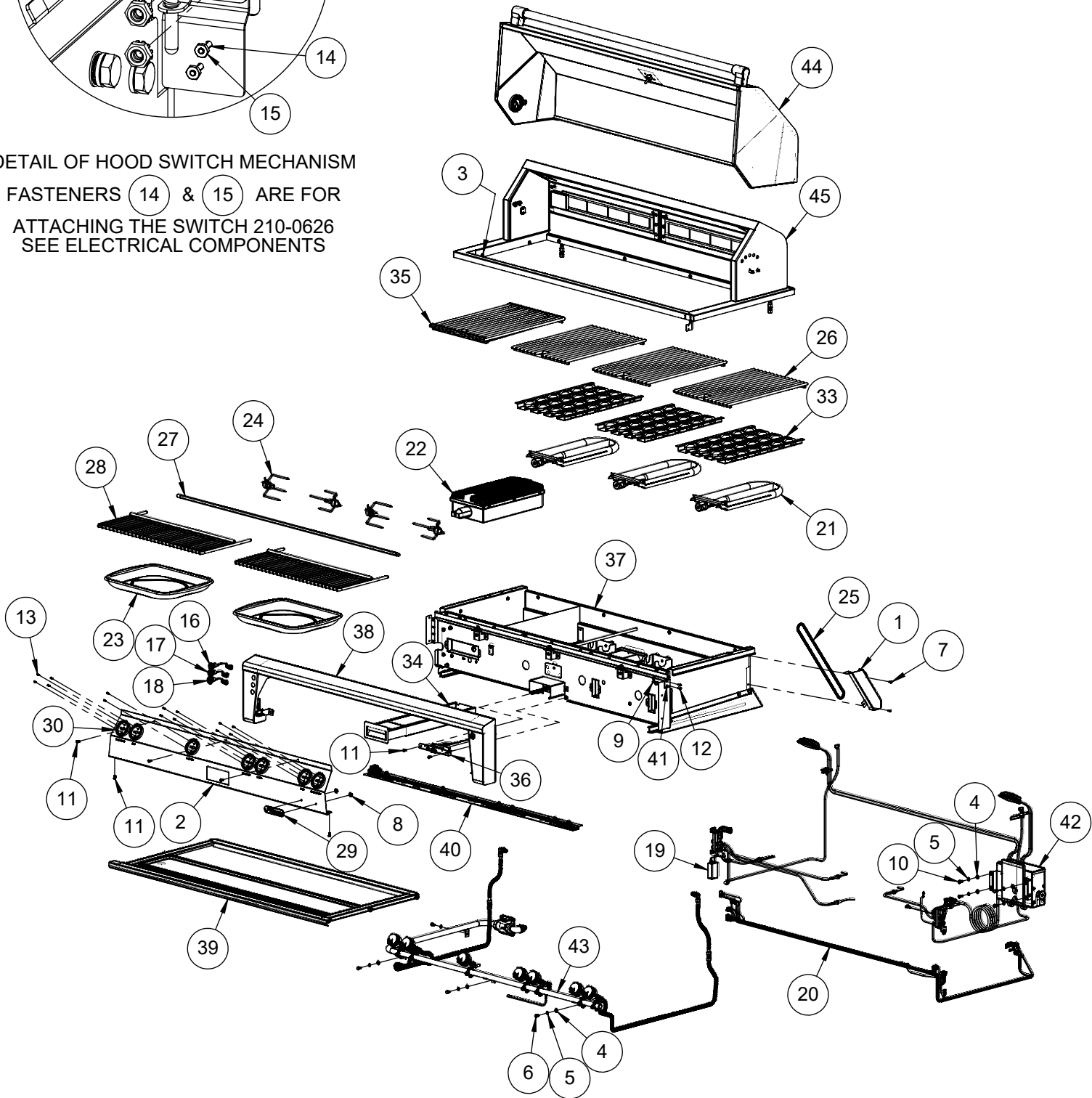
Open Air Culinary Systems



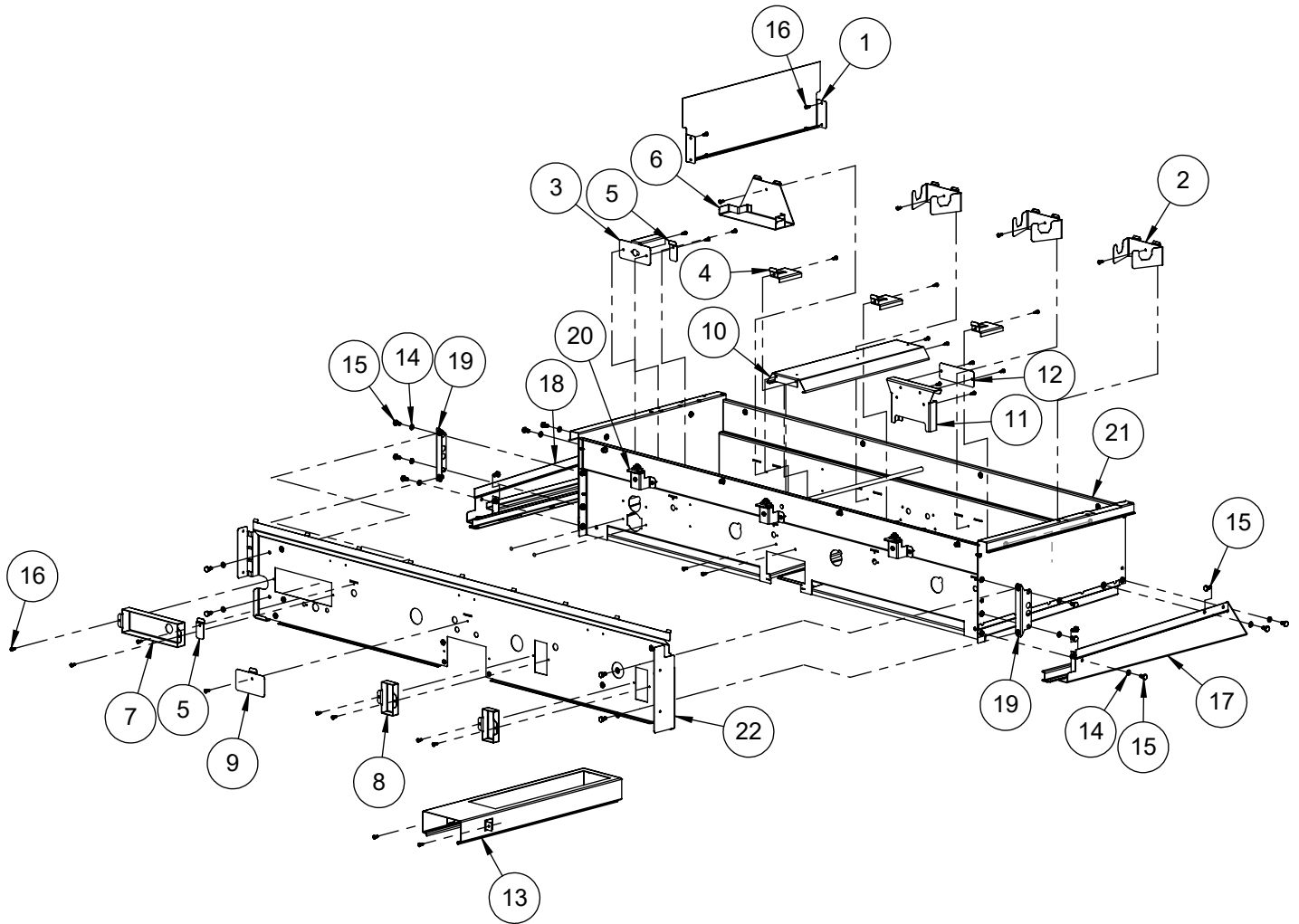
***ALXE-56BFG Parts Manual***  
***Serial Numbers 18-00000 forward***



DETAIL OF HOOD SWITCH MECHANISM  
 FASTENERS 14 & 15 ARE FOR  
 ATTACHING THE SWITCH 210-0626  
 SEE ELECTRICAL COMPONENTS

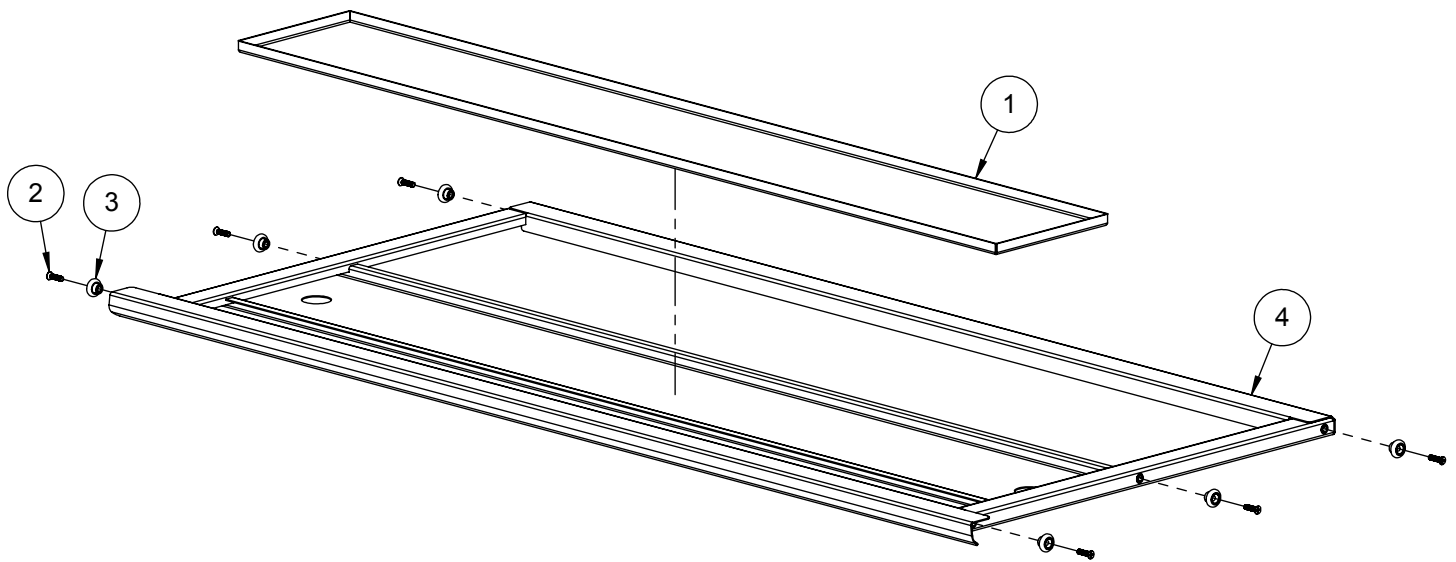


ITEM	PART NUMBER	DESCRIPTION	QTY
1	100-1877	ROTISSERIE CHAIN COVER	1
2	130-3070	FRONT PANEL	1
3	200-0057	SCREW 1/4-20 X 1/2 - TRUSS HEAD - PHILLIPS	12
4	200-0074	FLAT WASHER 1/4 TYPE A NARROW	7
5	200-0087	WASHER - 1/4" SPRING LOCK- REGULAR - SS	11
6	200-0089	BOLT - HEX HEAD 1/4-20 x 1/2" L	7
7	200-0111	SCREW 8-18 X 1/2 - SELF TAP - 410 SS	2
8	200-0125	NUT THREAD CUTTER FOR 1/4" Ø STUD -SPEED NUT	2
9	200-0206	8-32 KEP NUT 18-8 STAINLESS	2
10	200-0219	HEX HD MACHINE SCREW 1/4-20 UNC X 5/8 LONG SS	4
11	200-0267	10-32 X 1/2 - PAN HEAD - PHILLIPS SCREW	7
12	200-0270	8-32 PAN HD X 1/2 PHILLIPS 18-8 SS	2
13	200-0348	Screw 6-32 x 3/8 Flat Head (82°) phillips - Thread Cutter - #2 Drive - SS 410	14
14	200-0362	18-8 SS PAN HEAD SCREW 2-56 X 3/8	2
15	200-0363	18-8 SS HEX NUT 2-56	2
16	210-0583	SWITCH - IGNITION - MOMENTARY [ON]/OFF	2
17	210-0584	SWITCH - LIGHT - LATCHING [ON/OFF]	1
18	210-0585	SWITCH - ROTISSERIE - LATCHING [ON/OFF]	1
19	210-0623	TRANSFORMER ASSY FOR ALXE	1
20	210-0632	WIRING HARNESS	1
21	290-0038	BURNER - GRILL - "U" SHAPE	3
22	290-0052	ALFRESCO SEAR ZONE™ BURNER ASSEMBLY	1
23	290-0059	ROTISSERIE DRIP PAN	2
24	290-0096	FORK ASSEMBLY	4
25	290-0116	CHAIN - ANSI # 25 - 1/4" PITCH - .13" Ø X 1/8" ROLLER	1
26	290-0124	GRILL 30" BBQ - 12 3/4" WIDE - SS	4
27	290-0176	ROTISSERIE SPEAR	1
28	290-0315	WARMING RACK - SS	2
29	290-0377	ALFRESCO RANGE LOGO	1
30	290-0388	ALFRESCO RANGE KNOB - BEZEL RING	7
31	290-0465	Bumper 600°F 1/2" dia x 5/32" head	2
32	290-0468	Bumper 600°F (obround), black	2
33	510-0522	BRIQUETTE TRAY ASSEMBLY	3
34	510-0912	SMOKER BOX	1
35	510-0913	SEARZONE™ GRILL ASSEMBLY	1
36	510-0918	SMOKER BURNER ASSEMBLY	1
37	510-0968	FIREBOX MAIN ASSEMBLY	1
38	510-0974	FRONT PANEL PERIMETER	1
39	510-0985	56" DRIP TRAY ASSEMBLY	1
40	510-1002	LED LIGHT FIXTURE	1
41	510-1026	HOOD SWITCH MECHANISM	1
42	510-1054	ELECTRICAL COMPONENTS	1
43	510-1058	GAS MANIFOLD ASSEMBLY	1
44	510-1214	FRONT HOOD	1
45	510-1216	REAR HOOD & RIM ASSEMBLY	1

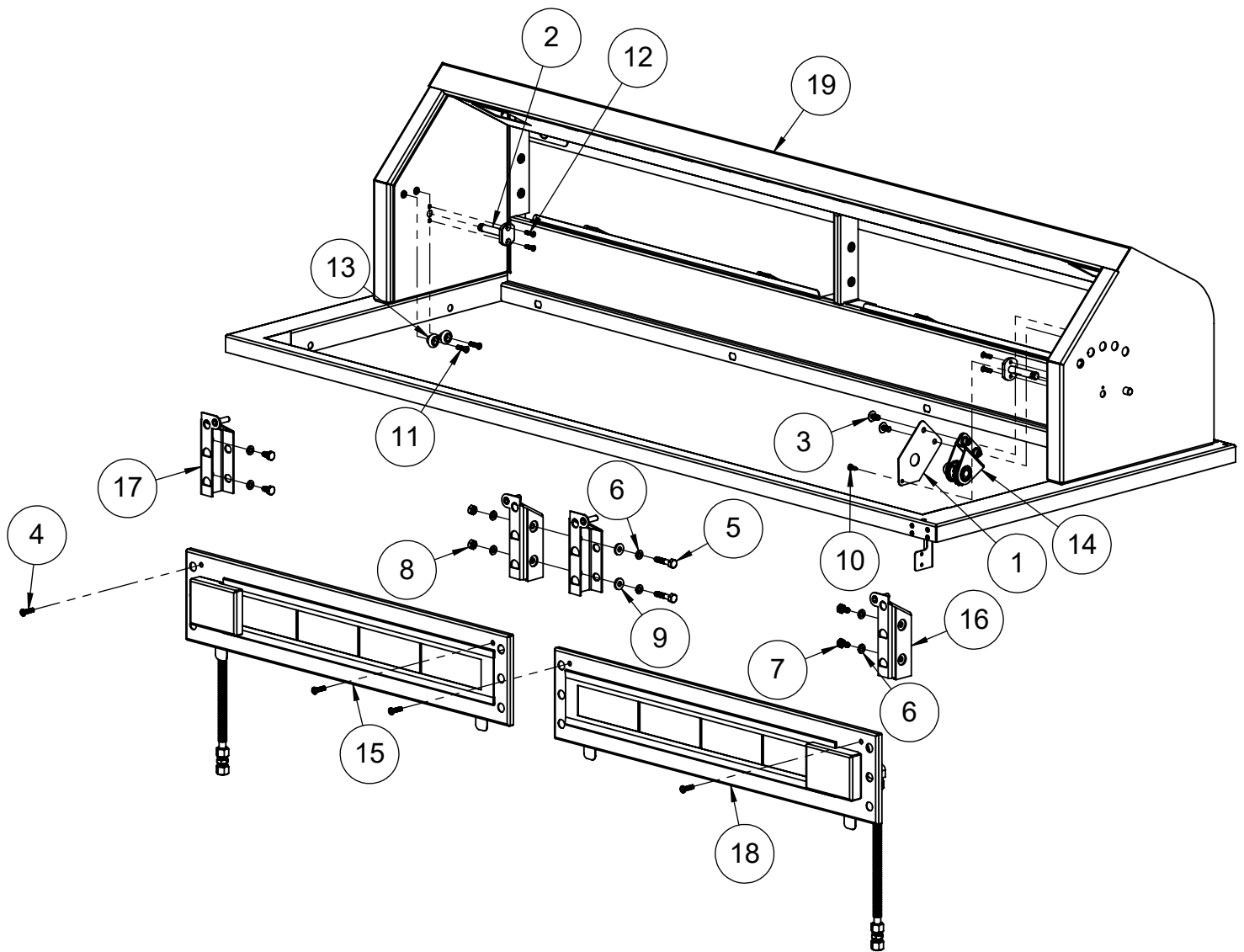


ITEM	PART NUMBER	DESCRIPTION	QTY
1	100-1201	SEARZONE™ HEAT SHIELD	1
2	100-1846	U-BURNER BRACKET	3
3	100-1847	SEAR-ZONE IGNITER BRACKET / SHIELD	1
4	100-1848	IGNITER SHIELD	3
5	100-1849	IGNITER HOLE COVER	2
6	100-1884	SEAR-ZONE™ BURNER BRACKET	1
7	100-1887	DUAL VALVE FIREWALL COVE	1
8	100-1888	SINGLE VALVE FIREWALL COVE	2
9	100-1890	FIREWALL OPENING COVER FOR SEARZONE™	1
10	130-3040	SMOKER BOX TOP DIFFUSER	1
11	130-3041	FLUE	1
12	130-3047	REAR COVER PLATE	1
13	130-3100	SMOKER BOX BODY	1
14	200-0087	WASHER - 1/4" SPRING LOCK- REGULAR - SS	18
15	200-0089	BOLT - HEX HEAD 1/4-20 x 1/2" L	18
16	200-0111	SCREW 8-18 X 1/2 - SELF TAP - 410 SS	40
17	510-0502	GREASE TRAY SUPPORT - RIGHT SIDE	1
18	510-0503	GREASE TRAY SUPPORT - LEFT SIDE	1
19	510-0520	FIREWALL SUPPORT BRACKET ASSEMBLY	2
20	510-0904	FRONT PANEL MNTG BRKT	3
21	510-0969	FIREBOX WELDED PARTS	1
22	510-0978	FIREWALL ASSEMBLY	1

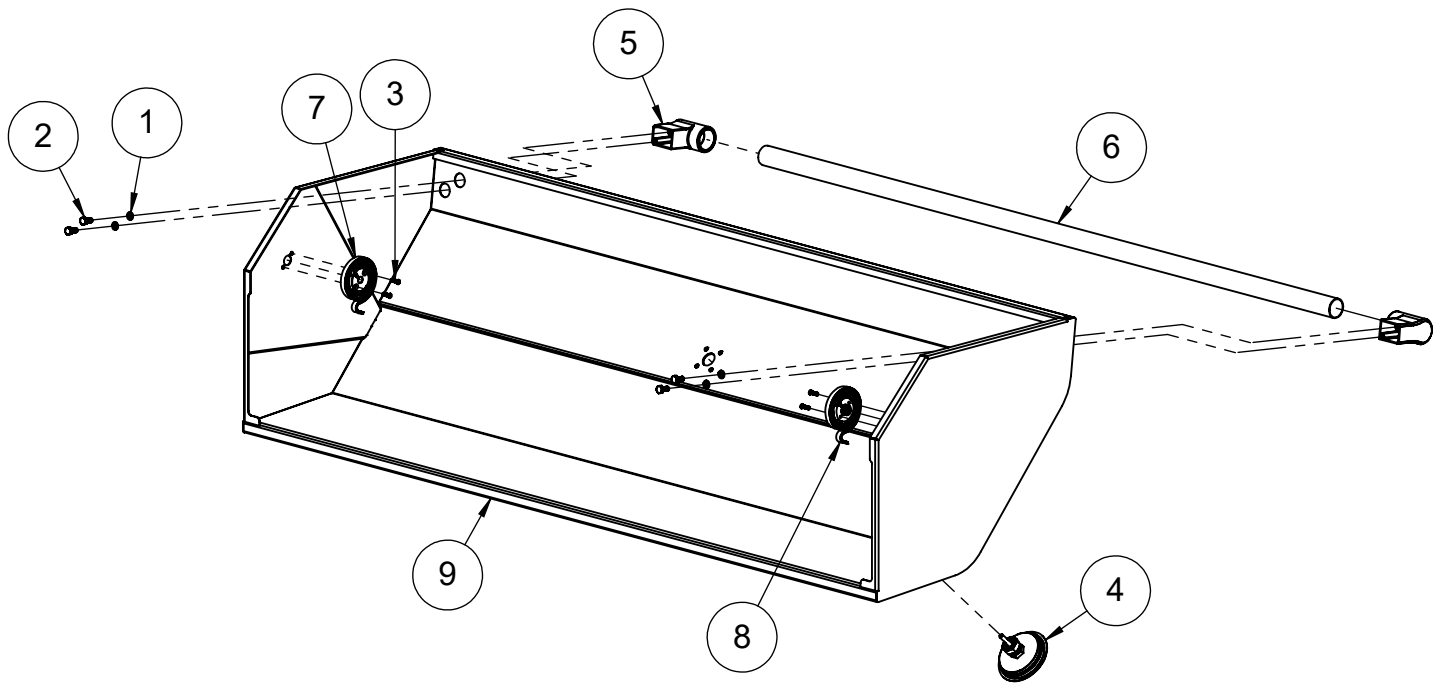
ITEM	PART NUMBER	DESCRIPTION	QTY
1	130-3109	DRIP TRAY INSERT	1
2	200-0148	SCREW 10-32 X 3/4" - FLAT HEAD - PHILLIPS - 82° - SS	6
3	290-0119	ROLLER WHEEL - STAINLESS STL - 3/4" Ø -	6
4	510-0984	DRIP TRAY WELDED PARTS	1



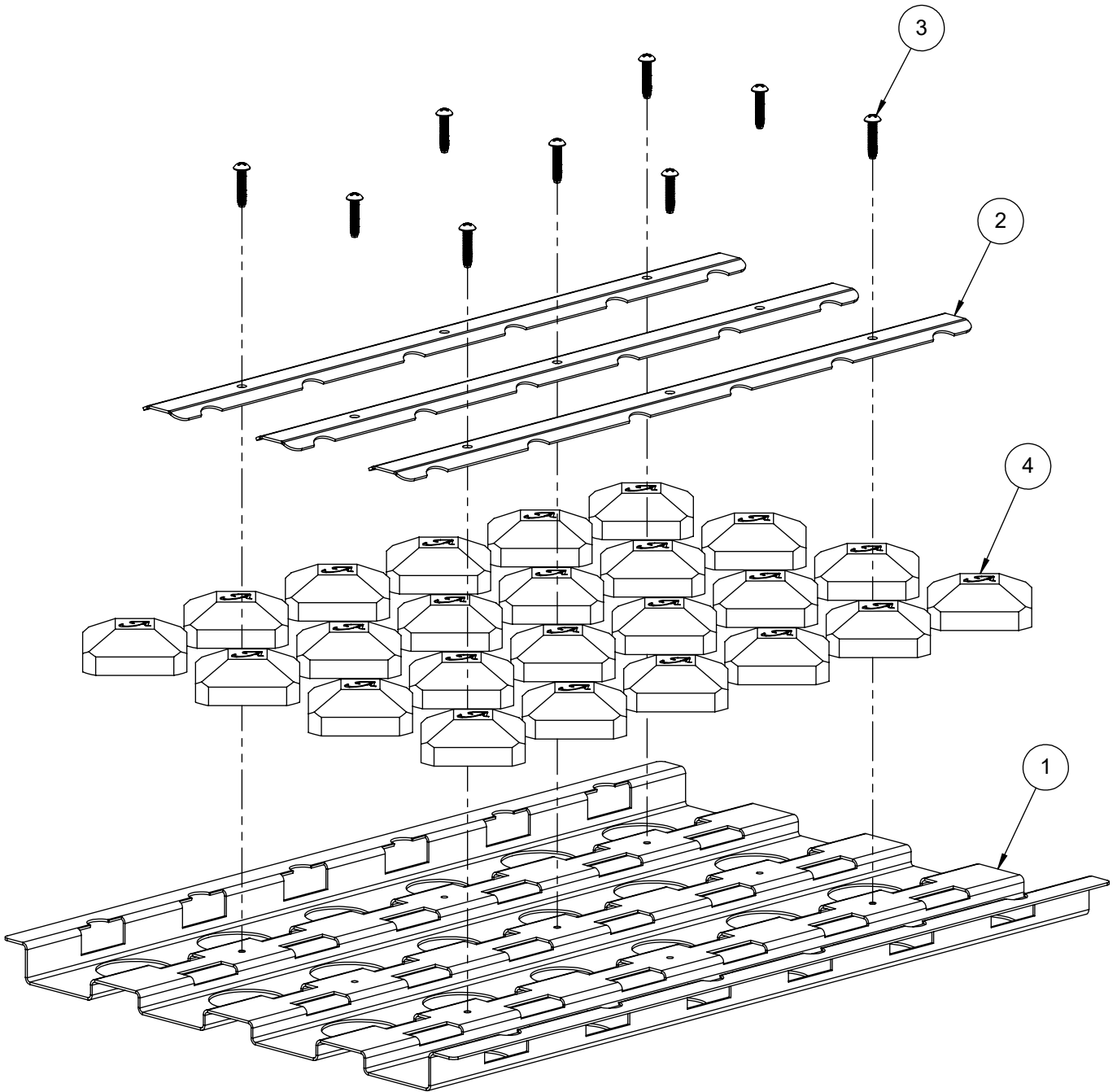
ITEM	PART NUMBER	DESCRIPTION	QTY
1	100-1092	ROTISSERIE GEAR COVER	1
2	130-2985	PIVOT PIN	2
3	200-0057	SCREW 1/4-20 X 1/2 - TRUSS HEAD - PHILLIPS	2
4	200-0062	10-32 X 3/4 - PAN HEAD - PHILLIPS SCREW	4
5	200-0065	SCREW 1/4-20 x 1-1/4" - SS - HEX HEAD	2
6	200-0087	WASHER - 1/4" SPRING LOCK- REGULAR - SS	8
7	200-0089	BOLT - HEX HEAD 1/4-20 x 1/2" L	4
8	200-0090	1/4-20 - DOUBLE CHAMFER - HEX NUT	2
9	200-0092	1/4 X 1/8 X 5/8 FLAT WASHER - SPACER	2
10	200-0111	SCREW 8-18 X 1/2 - SELF TAP - 410 SS	1
11	200-0148	SCREW 10-32 X 3/4" - FLAT HEAD - PHILLIPS - 82° - SS	2
12	200-0361	SCREW 8-32 X 5/8" - FLAT HEAD 82° - PHILLIPS	4
13	290-0119	ROLLER WHEEL - STAINLESS STL - 3/4" Ø	2
14	510-0139	ROTISSERIE GEAR ASSEMBLY	1
15	510-0478	ROTISSERIE PANEL ASSY	1
16	510-0483	WARMING RACK BRACKET - RT SIDE	2
17	510-0484	WARMING RACK BRACKET-LT SIDE	2
18	510-0584	ROTISSERIE PANEL - RIGHT SIDE	1
19	510-1217	REAR HOOD & RIM WELDED PARTS	1



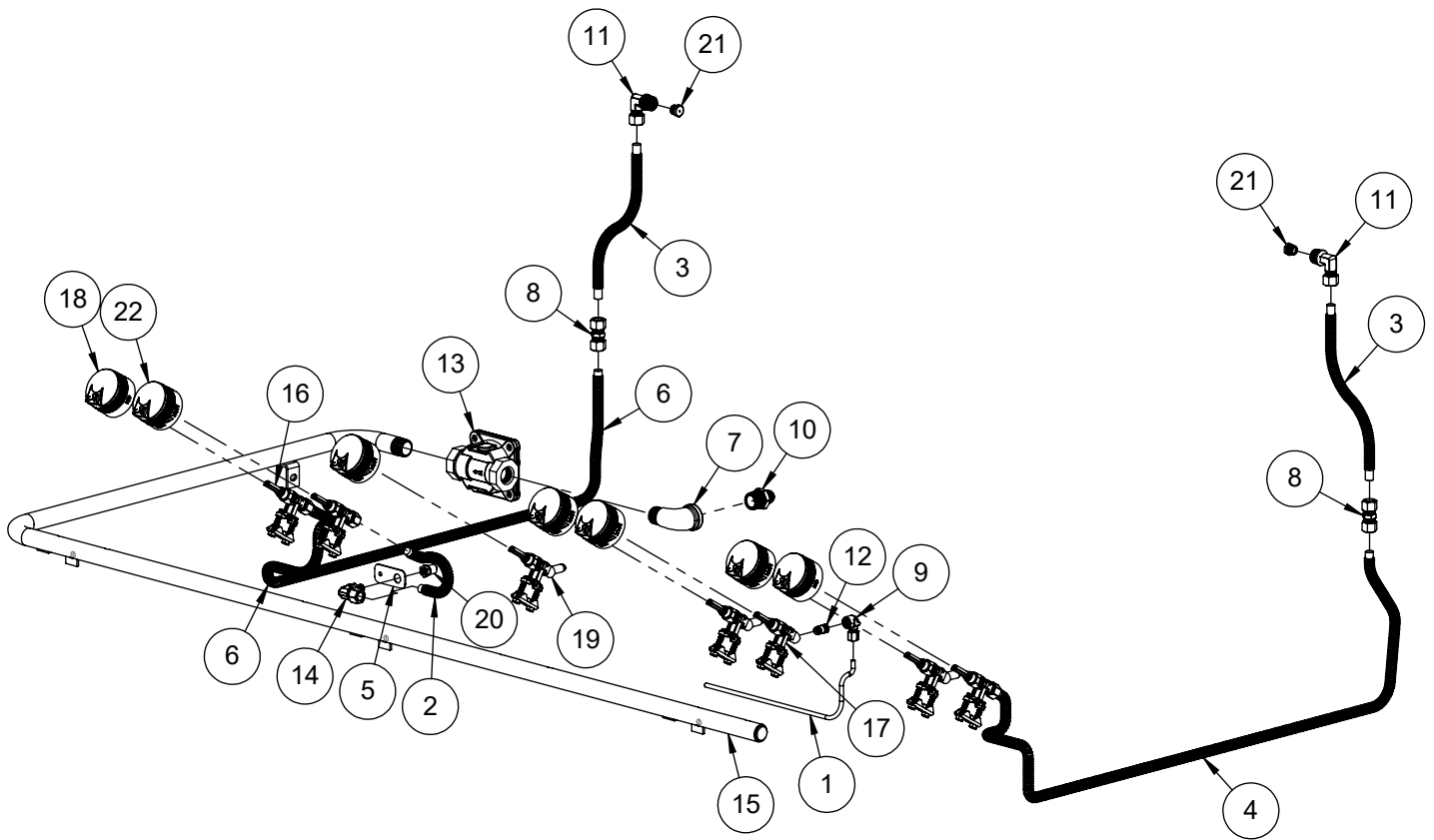
ITEM	PART NUMBER	DESCRIPTION	QTY
1	200-0087	WASHER - 1/4" SPRING LOCK- REGULAR - SS	4
2	200-0219	HEX HD MACHINE SCREW 1/4-20 UNC X 5/8 LONG SS	4
3	200-0361	SCREW 8-32 X 5/8" - FLAT HEAD 82° - PHILLIPS	4
4	210-0571	3-1/8 DIA THERMOMETER	1
5	290-0400	HANDLE END CAP	2
6	290-0450	BARBECUE HOOD HANDLE	1
7	510-0924	SPIRAL TORSION SPRING LT	1
8	510-0925	SPIRAL TORSION SPRING RT	1
9	510-1215	FRONT HOOD (WELDED PARTS)	1



ITEM	PART NO.	DESCRIPTION	QTY
1	100-1894	BRIQUETTE TRAY BASE	1
2	100-1895	BRIQUETTE LOCK BAR	3
3	200-0312	SCREW 8-32 x 3/4"- PAN HEAD - PHILLIPS - THREAD CUTTER TYPE F	9
4	265-0005	BRIQUETTE - ALFRESCO CUSTOM	24



ITEM	PART NUMBER	DESCRIPTION	QTY
1	100-0913	BBQ SMOKER GAS LINE	1
2	100-0917	SEAR ZONE™ GAS LINE (8"L x 3/8" Ø - SS. FLEX TUBE)	1
3	100-0917	ROTISSERIE GAS LINE EXTENSION - 3/8"Ø X 8" - SS	2
4	100-0949	ROTISSERIE GAS LINE (36"L x 3/8" Ø - SS. FLEX TUBE)	1
5	100-1067	SMOKER & SZ™ ORIFICE BRACKET	1
6	100-1949	ROTISSERIE GAS LINE (36"L x 3/8" Ø - SS. FLEX TUBE)	1
7	200-0274	ELBOW 90° - CAST IRON - 1/2" FPT x 1/2" MPT	1
8	220-0151	COUPLING 3/8" x 3/8" - COMPRESSION - BRASS	2
9	220-0273	ELBOW 90° - 1/8" FPT x 3/16" COMP	1
10	220-0275	NIPPLE - 1/2" MPT X 3/8" OD FL	1
11	220-0276	ELBOW .375 MPT x .375 COMP	2
12	220-0277	NIPPLE 1/8" MPT x 1/16" MPT	1
13	220-0280	REGULATOR GAS - MAXITROL RV48CL440002	1
14	220-0293	ELBOW 3/8-27 UNS x 3/8" COMP	1
15	220-0349	MANIFOLD	1
16	290-0041	GAS VALVE - STRAIGHT - WITHOUT ORIFICES	3
17	290-0066	GAS VALVE - ANGLED - ORIFICE: INT= 0.95 mm / EXT=NONE	1
18	290-0434	ALFRESCO -ROTISSERIE / SEAR ZONE™ KNOB	2
19	SEE NOTE	GAS VALVE - ANGLED WITH ORIFICE >>> SEE NOTE	3
20	SEE NOTE	ORIFICE - SEAR ZONE™ >>> SEE NOTE	1
21	SEE NOTE	ORIFICE - IR ROTISSERIE UNIT (SEE NOTE FOR SIZING)	2
22	290-0433	KNOB - BBQ VALVE - ASSEMBLY	5



NOTE: ORIFICE OR VALVE ASSEMBLY TO CHANGE ACCORDING TO FUEL SUPPLY (NG OR LP).

ITEM	NG PART #	LP PART #
20	290-0310	290-0311
21	220-0289	220-0290
22	220-0285	220-0286

**Alfresco**  
 SUPERIOR EQUIPMENT SOLUTIONS  
 7039 EAST SLAUSON AVENUE  
 COMMERCE, CA. 90040

THE INFORMATION CONTAINED IN THIS DRAWING IS THE SOLE PROPERTY OF SUPERIOR EQUIPMENT SOLUTIONS INC. ANY REPRODUCTION IN PART OR AS A WHOLE WITHOUT WRITTEN PERMISSION FROM SUPERIOR EQUIPMENT SOLUTIONS, INC. IS PROHIBITED.

**DRAWN BY:** N SILCOCK  
**CREATED:** 5/5/2016 10:56:51 AM

**PROJECT TITLE:**  
**ALXE-56BFG**

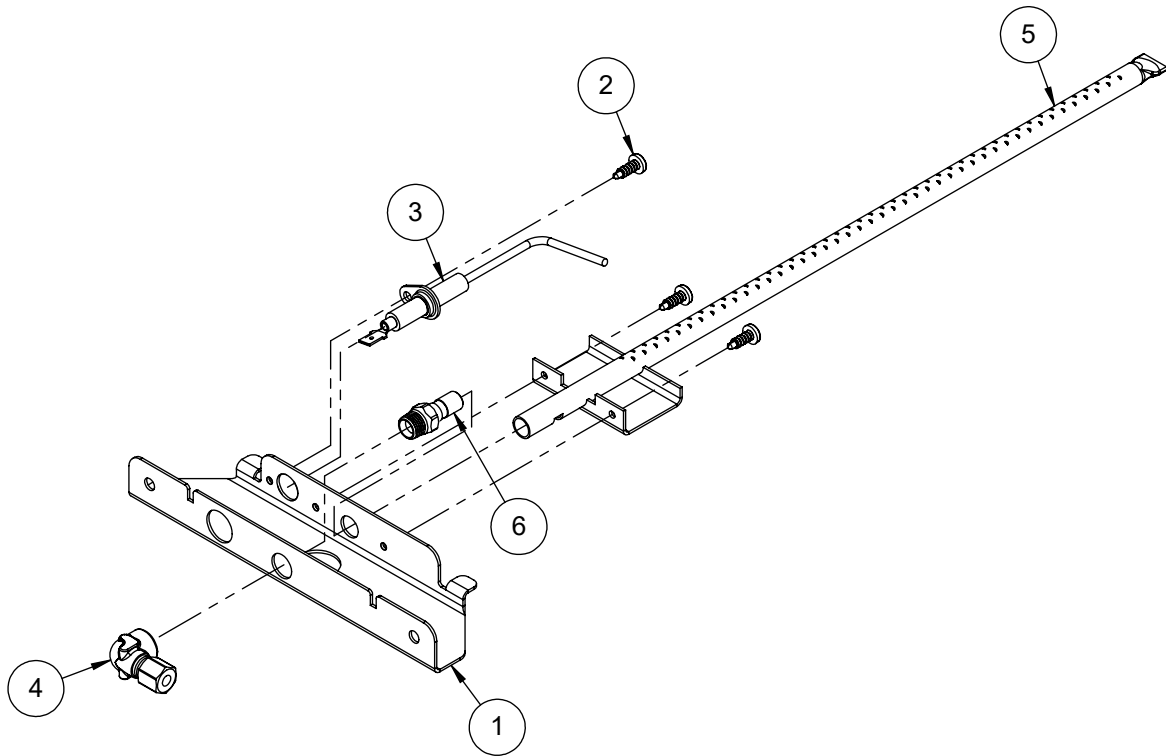
**DRAWING TITLE:**  
**GAS MANIFOLD ASSEMBLY**

**DRAWING NO.:** 510-105  
**SHEET 1 OF 1**

ITEM	PART NUMBER	DESCRIPTION	QTY
1	130-3019	MOUNTING BRACKET	1
2	200-0111	SCREW 8-18 X 1/2 - SELF TAP - 410 SS	3
3	210-0189	ELECTRODE - "L" SHAPED - MAIN BURNER	1
4	220-0273	ELBOW 90° - 1/8" FPT x 3/16" COMP	1
5	510-0504	SMOKER BURNER ASSEMBLY	1
6	SEE NOTE	ORIFICE - SMOKER UNIT >>> SEE NOTE	1

**NOTE:** ORIFICE OR VALVE ASSEMBLY TO CHANGE ACCORDING TO FUEL SUPPLY: NATURAL GAS OR LIQUID PROPANE

ITEM	NG GAS	LP GAS
	PART #	PART #
6	220-0468	220-03



**Alfresco**  
 SUPERIOR EQUIPMENT SOLUTIONS  
 7039 EAST SLAUSON AVENUE  
 COMMERCE, CA. 90040

THE INFORMATION CONTAINED IN THIS DRAWING IS THE SOLE PROPERTY OF SUPERIOR EQUIPMENT SOLUTIONS INC. ANY REPRODUCTION IN PART OR AS A WHOLE WITHOUT WRITTEN PERMISSION FROM SUPERIOR EQUIPMENT SOLUTIONS, INC. IS PROHIBITED.

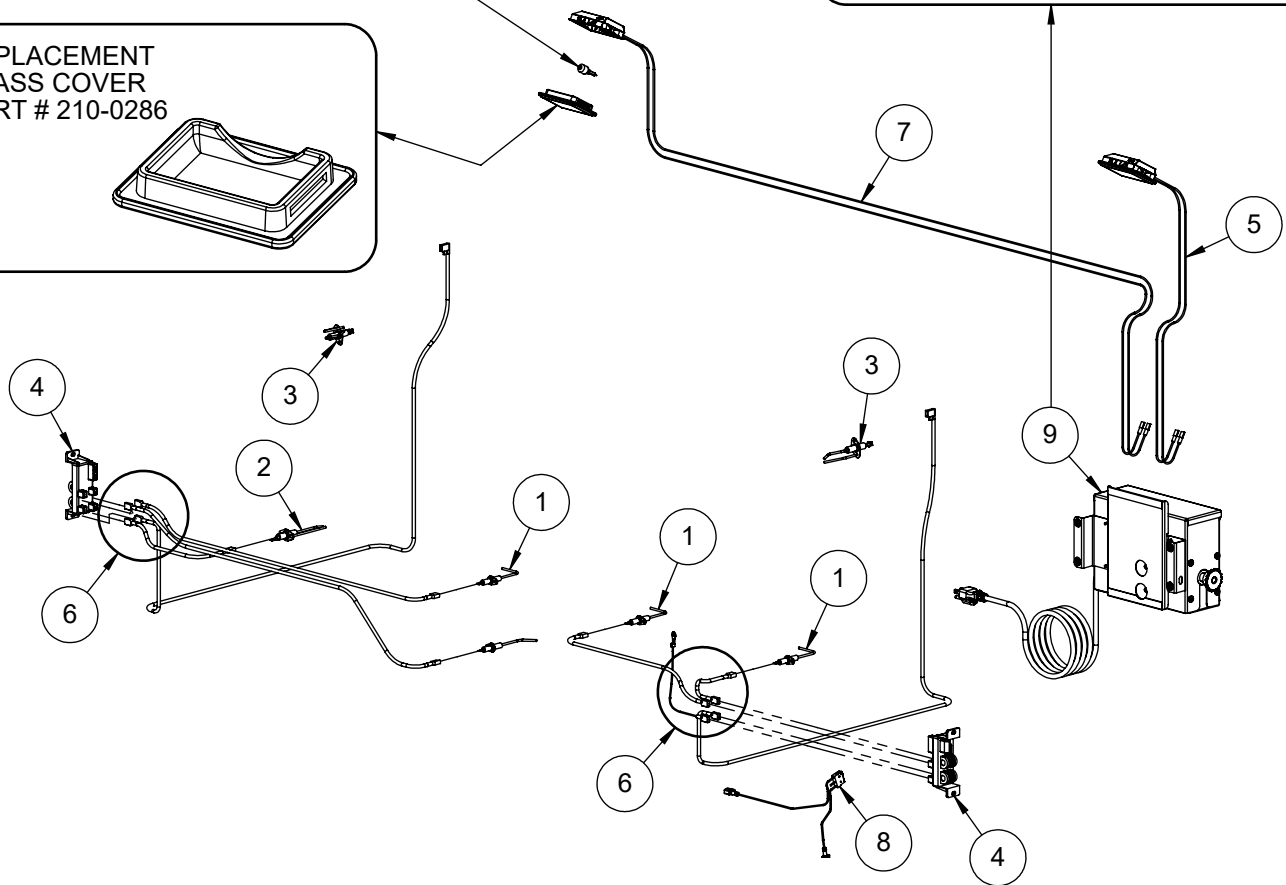
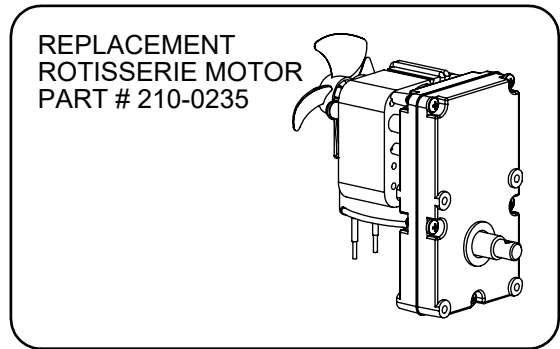
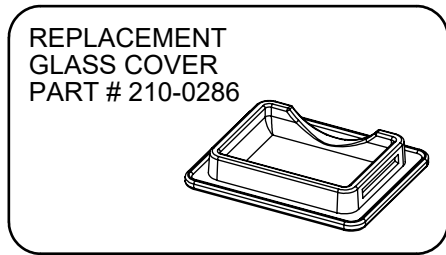
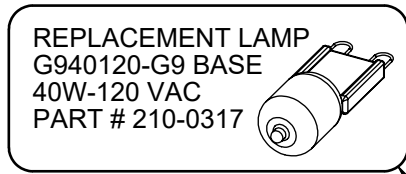
**DRAWN BY:** N SILCOCK  
**CREATED:** 2/29/2016 12:42:41 PM

**PROJECT TITLE:**  
**ALXE BARBECUES**

**DRAWING TITLE:**  
**SMOKER BURNER ASSEMBLY**

**DRAWING NO.:** 510-091  
 SHEET 1 OF 1

ITEM	PART NUMBER	DESCRIPTION	QTY
1	210-0189	ELECTRODE - "L" SHAPED - U-BURNER / SMOKER	4
2	210-0192	ELECTRODE - DUAL TIP - SEARZONE™	1
3	210-0240	ELECTRODE - DUAL TIP "L" SHAPE- ROTISSERIE	2
4	210-0465	IGNITER MODULE (4 POINTS)	2
5	210-0509	LAMP ASSEMBLY (32" WIRE LENGTH)	1
6	210-0523	IGNITER WIRE KIT	1
7	210-0535	LAMP ASSEMBLY ( 56" WIRE LENGTH)	1
8	210-0626	PERIMETER LIGHT SWITCH	1
9	510-0514	ROTISSERIE MOTOR BOX ASSEMBLY	1

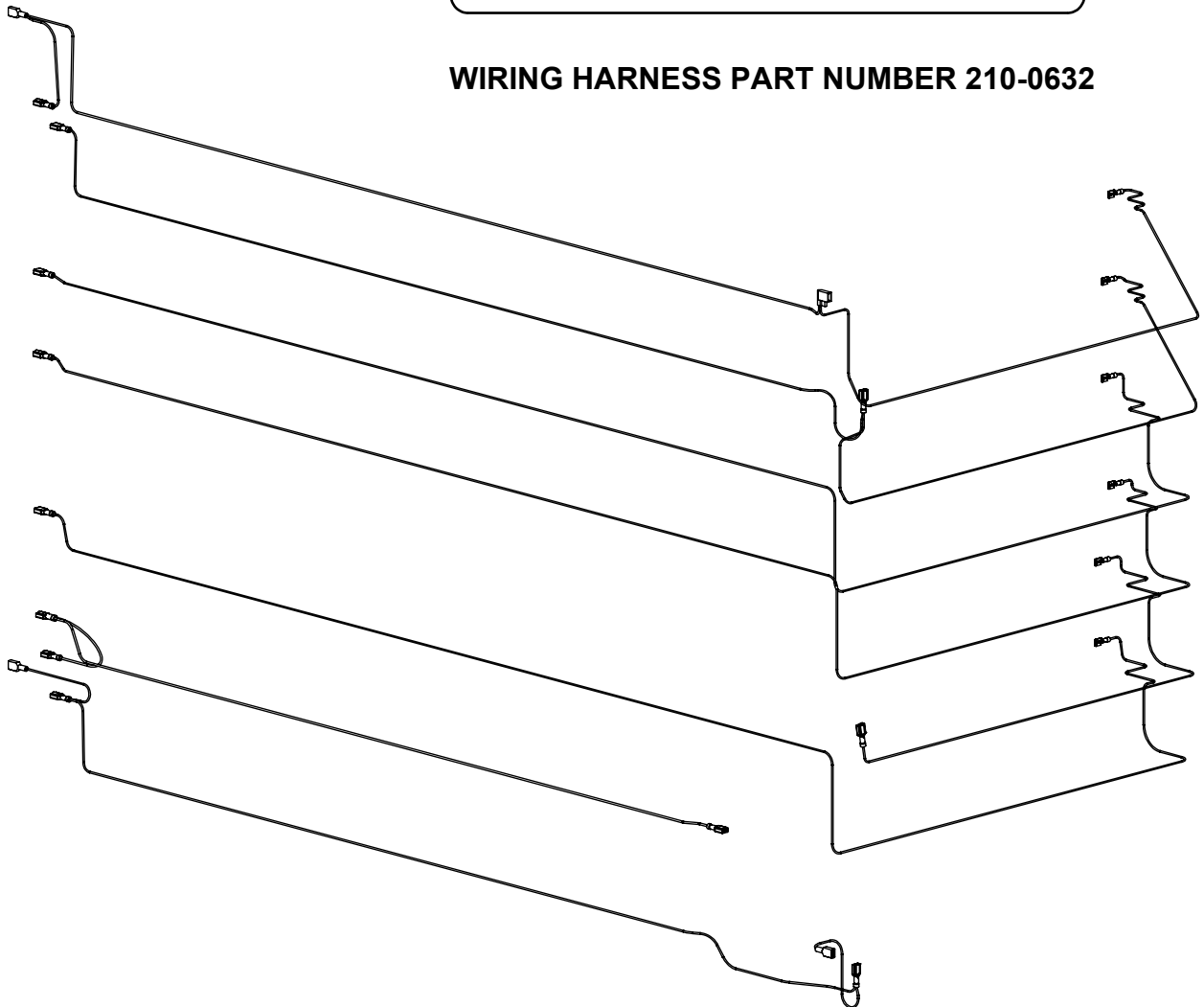


CONNECTIONS: NEUTRAL TO TRANSFORMER,  
POWER TO TRANSFORMER AND IGNITER, LIGHTS  
& ROTISSERIE SWITCHES. FRONT LEFT.

CONNECTIONS IN  
MOTOR BOX AT  
REAR RIGHT.

CONNECTIONS: IGNITER NEUTRAL & POWER,  
PERIMETER LIGHT SWITCH NEUTRAL & POWER,  
AND POWER TO TRANSFORMER. FRONT RIGHT.

**WIRING HARNESS PART NUMBER 210-0632**



**EXPLODED VIEW OF WIRING HARNESS**

**NOTE: INDIVIDUAL WIRES ARE NOT SOLD SEPARATELY**

# *Alfresco*<sup>™</sup>

*Open Air Culinary Systems*

**ALXE-56BFG PARTS MANUAL  
ALFRESCO<sup>™</sup> GOURMET GRILLS  
ALL RIGHTS RESERVED 03/2018**