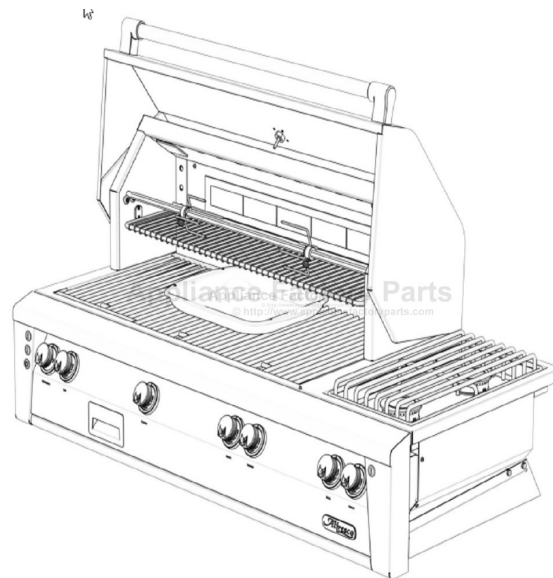


This Owner's Manual is provided and hosted by [Appliance Factory Parts](http://ApplianceFactoryParts.com).



# Alfresco ALXE-56 Owner's Manual

[Shop genuine replacement parts for Alfresco ALXE-56](#)

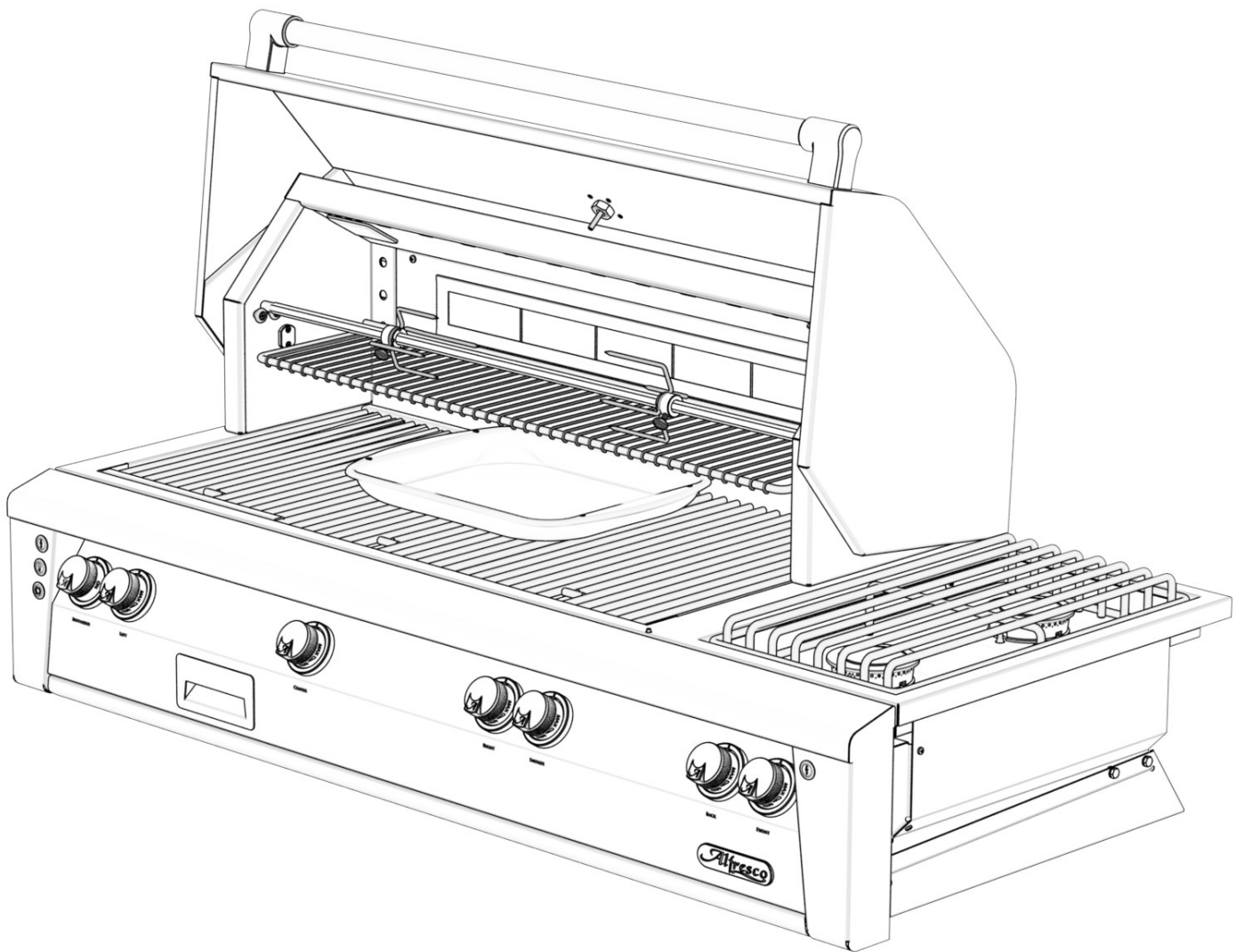


[Find Your Alfresco Grill Parts - Select From 126 Models](#)

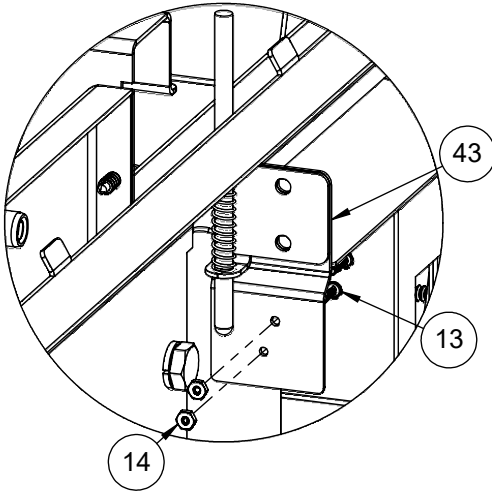
----- Manual continues below -----

# Alfresco™

Open Air Culinary Systems

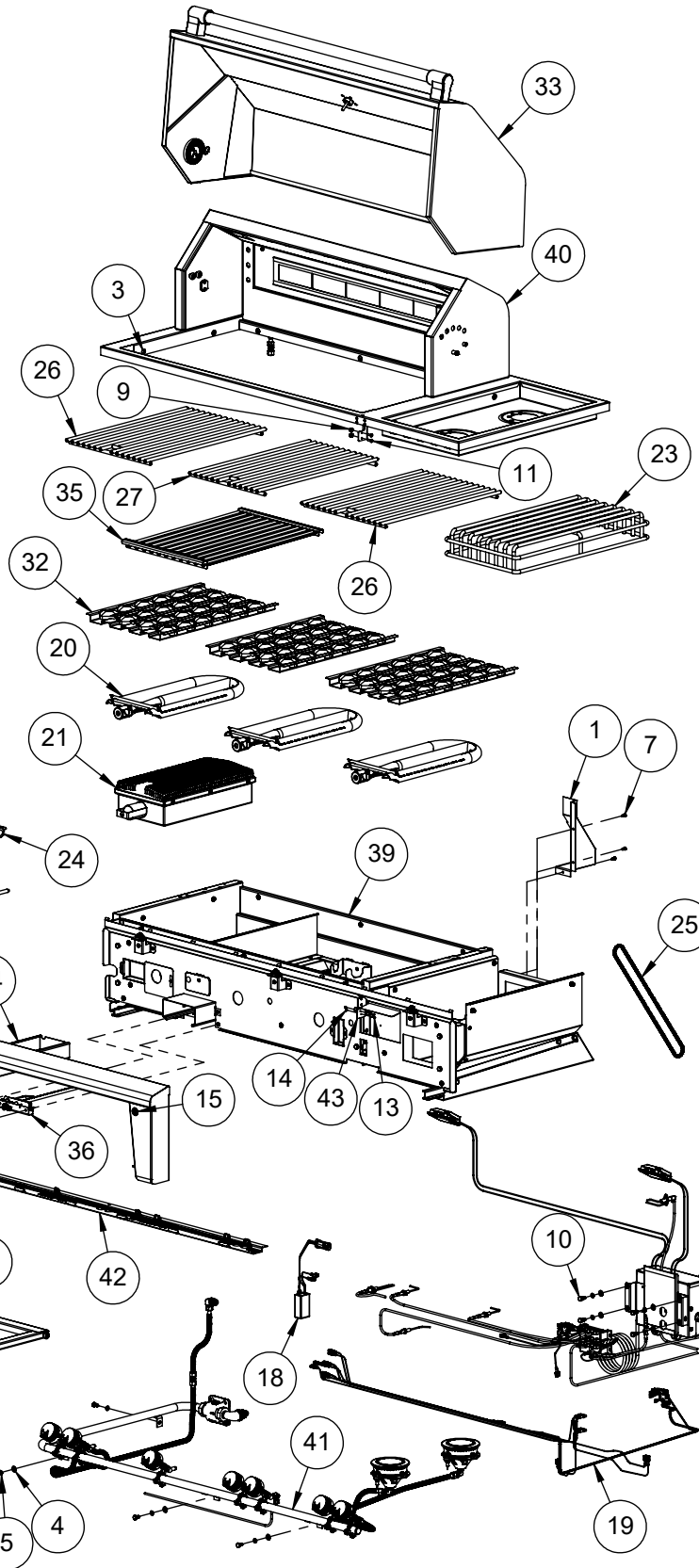


***ALXE-56 & 56SZ Parts Manual***  
***Serial Numbers up to 17-99999***



DETAIL OF HOOD SWITCH MECHANISM

FASTENERS 13 & 14 ARE FOR ATTACHING THE SWITCH 210-0626 SEE ELECTRICAL COMPONENTS



NOTE:

SEARZONE™ BURNER (21) AND GRILL (35) USED ON ALXE-56SZ

OTHERWISE, ONLY BURNER (20), GRILLS (26), (27) AND BRIQUETTE (32) USED ON ALXE-56

| ITEM | PART NUMBER | DESCRIPTION                                                                   | QTY |
|------|-------------|-------------------------------------------------------------------------------|-----|
| 1    | 100-2012    | ALX2-56 - SIDE BURNER - CHAIN COVER                                           | 1   |
| 2    | 130-3110    | FRONT PANEL                                                                   | 1   |
| 3    | 200-0057    | SCREW 1/4-20 X 1/2 - TRUSS HEAD - PHILLIPS                                    | 14  |
| 4    | 200-0074    | FLAT WASHER 1/4 TYPE A NARROW                                                 | 7   |
| 5    | 200-0087    | WASHER - 1/4" SPRING LOCK- REGULAR - SS                                       | 8   |
| 6    | 200-0089    | BOLT - HEX HEAD 1/4-20 x 1/2" L                                               | 4   |
| 7    | 200-0111    | SCREW 8-18 X 1/2 - SELF TAP - 410 SS                                          | 5   |
| 8    | 200-0125    | NUT THREAD CUTTER FOR 1/4" Ø STUD -SPEED NUT                                  | 2   |
| 9    | 200-0206    | 8-32 KEP NUT 18-8 STAINLESS                                                   | 2   |
| 10   | 200-0219    | HEX HD MACHINE SCREW 1/4-20 UNC X 5/8 LONG SS                                 | 4   |
| 11   | 200-0267    | 10-32 X 1/2 - PAN HEAD - PHILLIPS SCREW                                       | 9   |
| 12   | 200-0348    | Screw 6-32 x 3/8 Flat Head (82°) phillips - Thread Cutter - #2 Drive - SS 410 | 14  |
| 13   | 200-0362    | 18-8 SS PAN HEAD SCREW 2-56 X 3/8                                             | 2   |
| 14   | 200-0363    | 18-8 SS HEX NUT 2-56                                                          | 2   |
| 15   | 210-0583    | SWITCH - IGNITION - MOMENTARY [ON]/OFF                                        | 2   |
| 16   | 210-0584    | SWITCH - LIGHT - LATCHING [ON/OFF]                                            | 1   |
| 17   | 210-0585    | SWITCH - ROTISSERIE - LATCHING [ON/OFF]                                       | 1   |
| 18   | 210-0623    | TRANSFORMER ASSY FOR ALXE                                                     | 1   |
| 19   | 210-0630    | ALXE-56 WIRING HARNESS                                                        | 1   |
| 20   | 290-0038    | BURNER - GRILL - "U" SHAPE                                                    | 3   |
| 21   | 290-0052    | ALFRESCO SEAR ZONE™ BURNER ASSEMBLY                                           | 1   |
| 22   | 290-0059    | ROTISSERIE DRIP PAN                                                           | 1   |
| 23   | 290-0069    | GRATE - DUAL SIDE BURNER                                                      | 1   |
| 24   | 290-0096    | FORK ASSEMBLY                                                                 | 2   |
| 25   | 290-0116    | CHAIN - ANSI # 25 - 1/4" PITCH - .13" Ø X 1/8" ROLLER                         | 1   |
| 26   | 290-0124    | GRILL 30" BBQ - 12 3/4" WIDE - SS                                             | 2   |
| 27   | 290-0157    | GRILL 30" BBQ - 11 3/4" WIDE - SS                                             | 1   |
| 28   | 290-0158    | SPEAR - ROTISSERIE - 42" - 2006 BBQ                                           | 1   |
| 29   | 290-0304    | ALX2-42 WARMING RACK - SS                                                     | 1   |
| 30   | 290-0377    | ALFRESCO RANGE LOGO                                                           | 1   |
| 31   | 290-0388    | ALFRESCO RANGE KNOB - BEZEL RING                                              | 7   |
| 32   | 510-0522    | ALX2 - BRIQUETTE TRAY ASSEMBLY                                                | 3   |
| 33   | 510-0895    | FRONT HOOD ALXE-42                                                            | 1   |
| 34   | 510-0912    | ALXE SMOKER BOX                                                               | 1   |
| 35   | 510-0913    | SEARZONE™ GRILL ASSEMBLY                                                      | 1   |
| 36   | 510-0918    | ALXE SMOKER BURNER ASSEMBLY                                                   | 1   |
| 37   | 510-0974    | FRONT PANEL PERIMETER                                                         | 1   |
| 38   | 510-0985    | 56" DRIP TRAY ASSEMBLY                                                        | 1   |
| 39   | 510-0986    | ALXE-56 FIREBOX MAIN ASSEMBLY                                                 | 1   |
| 40   | 510-0989    | REAR HOOD & RIM ASSEMBLY                                                      | 1   |
| 41   | 510-0996    | ALXE-56 AND 56SZ GAS MANIFOLD ASSEMBLY                                        | 1   |
| 42   | 510-1001    | ALXE-56 LED LIGHT FIXTURE                                                     | 1   |
| 43   | 510-1026    | ALXE HOOD SWITCH MECHANISM                                                    | 1   |
| 44   | 510-1053    | ALXE-56 AND 56SZ ELECTRICAL COMPONENTS                                        | 1   |

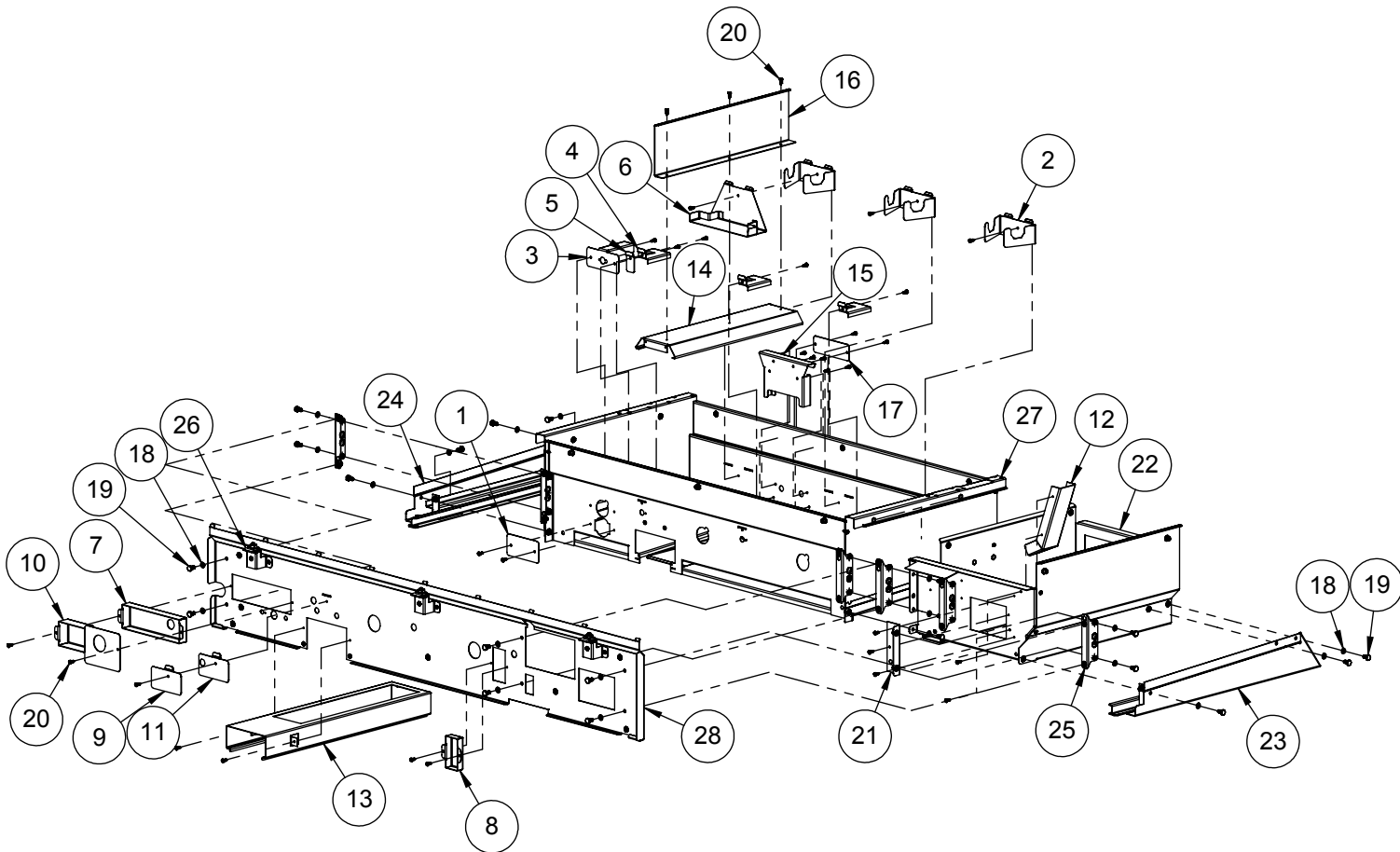
NOTE:  
 UNIQUE PARTS USED ON ALXE-56 MODEL

- 1 4 10 11

UNIQUE PARTS USED ON ALXE-56SZ MODEL

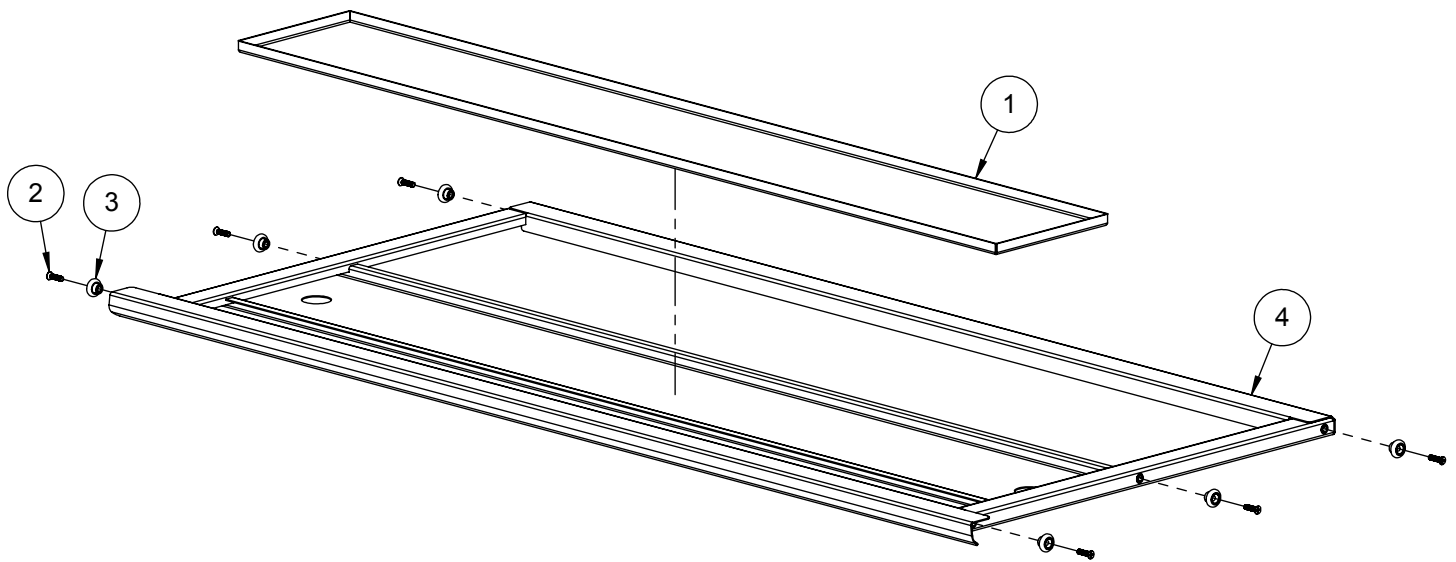
- 3 5 6 7 9 16

ITEM 2 IS USED FOR "U" BURNERS ONLY  
 THEREFORE, ALXE-56SZ ONLY HAS TWO.

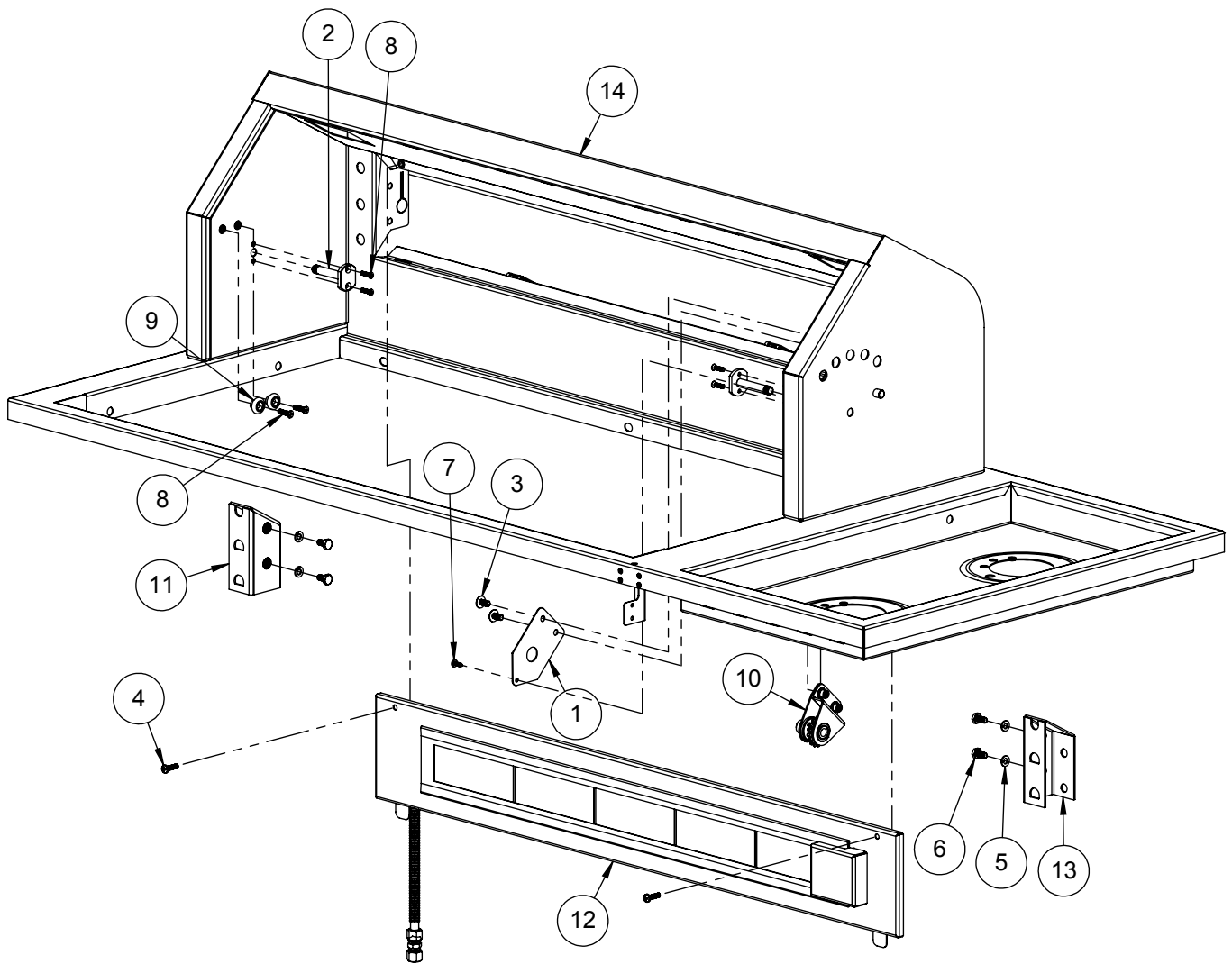


| ITEM | PART NUMBER | DESCRIPTION                                       | QTY |
|------|-------------|---------------------------------------------------|-----|
| 1    | 100-1065    | SEARZONE™ OPENING FIREBOX COVER                   | 1   |
| 2    | 100-1846    | ALX2 - U-BURNER BRACKET                           | 3   |
| 3    | 100-1847    | ALX2 - SEAR-ZONE IGNITER BRACKET / SHIELD         | 1   |
| 4    | 100-1848    | ALX2 - IGNITER SHIELD                             | 3   |
| 5    | 100-1849    | ALX2 - IGNITER HOLE COVER                         | 1   |
| 6    | 100-1884    | ALX2 - SEAR-ZONE™ BURNER BRACKET                  | 1   |
| 7    | 100-1887    | ALX2 - DUAL VALVE FIREWALL COVE                   | 1   |
| 8    | 100-1888    | ALX2 - SINGLE VALVE FIREWALL COVE                 | 1   |
| 9    | 100-1890    | ALX2 - FIREWALL OPENING COVER FOR SEARZONE™       | 1   |
| 10   | 100-1945    | ALX2 - DUAL VALVE FIREWALL COVER FOR U-BURNER     | 1   |
| 11   | 100-1946    | ALX2 - FIREWALL OPENING COVER FOR U-BURNER        | 1   |
| 12   | 100-2013    | ALX2-56 - SIDE BURNER DRAIN CHANNEL               | 1   |
| 13   | 130-3039    | ALXE SMOKER BOX BODY                              | 1   |
| 14   | 130-3040    | ALXE SMOKER BOX TOP DIFFUSER                      | 1   |
| 15   | 130-3041    | FLUE                                              | 1   |
| 16   | 130-3042    | ALX4 SEAR ZONE BURNER SHIELD                      | 1   |
| 17   | 130-3047    | REAR COVER PLATE                                  | 1   |
| 18   | 200-0087    | WASHER - 1/4" SPRING LOCK- REGULAR - SS           | 23  |
| 19   | 200-0089    | BOLT - HEX HEAD 1/4-20 x 1/2" L                   | 23  |
| 20   | 200-0111    | SCREW 8-18 X 1/2 - SELF TAP - 410 SS              | 41  |
| 21   | 510-0487    | ALX2-56 FIREWALL BRACKET FOR SIDE BURNER ASSEMBLY | 1   |
| 22   | 510-0492    | ALX2-56 - SIDE BURNER SUPPORT ASSEMBLY            | 1   |
| 23   | 510-0502    | ALX2 - GREASE TRAY SUPPORT - RIGHT SIDE           | 1   |
| 24   | 510-0503    | ALX2 - GREASE TRAY SUPPORT - LEFT SIDE            | 1   |
| 25   | 510-0520    | ALX2 - FIREWALL SUPPORT BRACKET ASSEMBLY          | 6   |
| 26   | 510-0904    | ALXE FRONT PANEL MNTG BRKT                        | 3   |
| 27   | 510-0926    | ALXE-42 FIREBOX WELDED PARTS                      | 1   |
| 28   | 510-0995    | FIREWALL ASSEMBLY                                 | 1   |

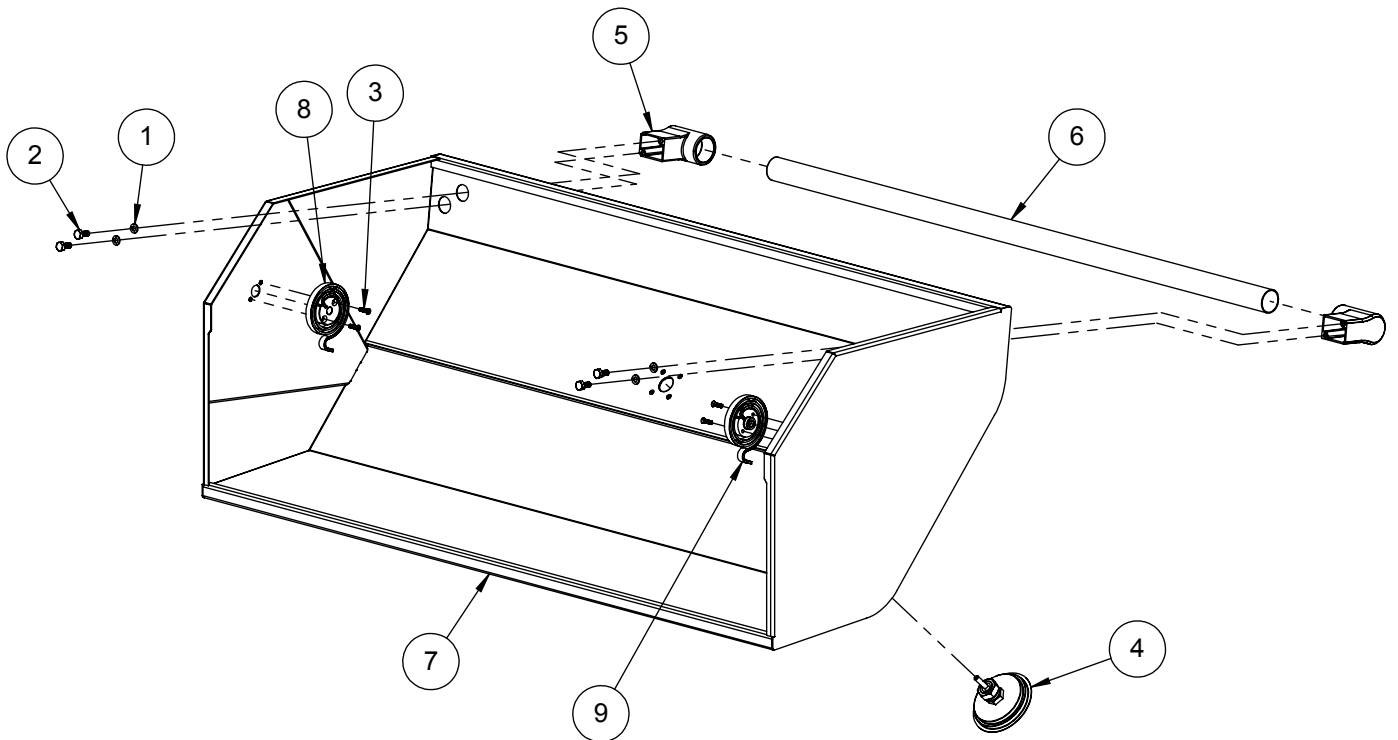
| ITEM | PART NUMBER | DESCRIPTION                                          | QTY |
|------|-------------|------------------------------------------------------|-----|
| 1    | 130-3109    | DRIP TRAY INSERT                                     | 1   |
| 2    | 200-0148    | SCREW 10-32 X 3/4" - FLAT HEAD - PHILLIPS - 82° - SS | 6   |
| 3    | 290-0119    | ROLLER WHEEL - STAINLESS STL - 3/4" Ø -              | 6   |
| 4    | 510-0984    | DRIP TRAY WELDED PARTS                               | 1   |



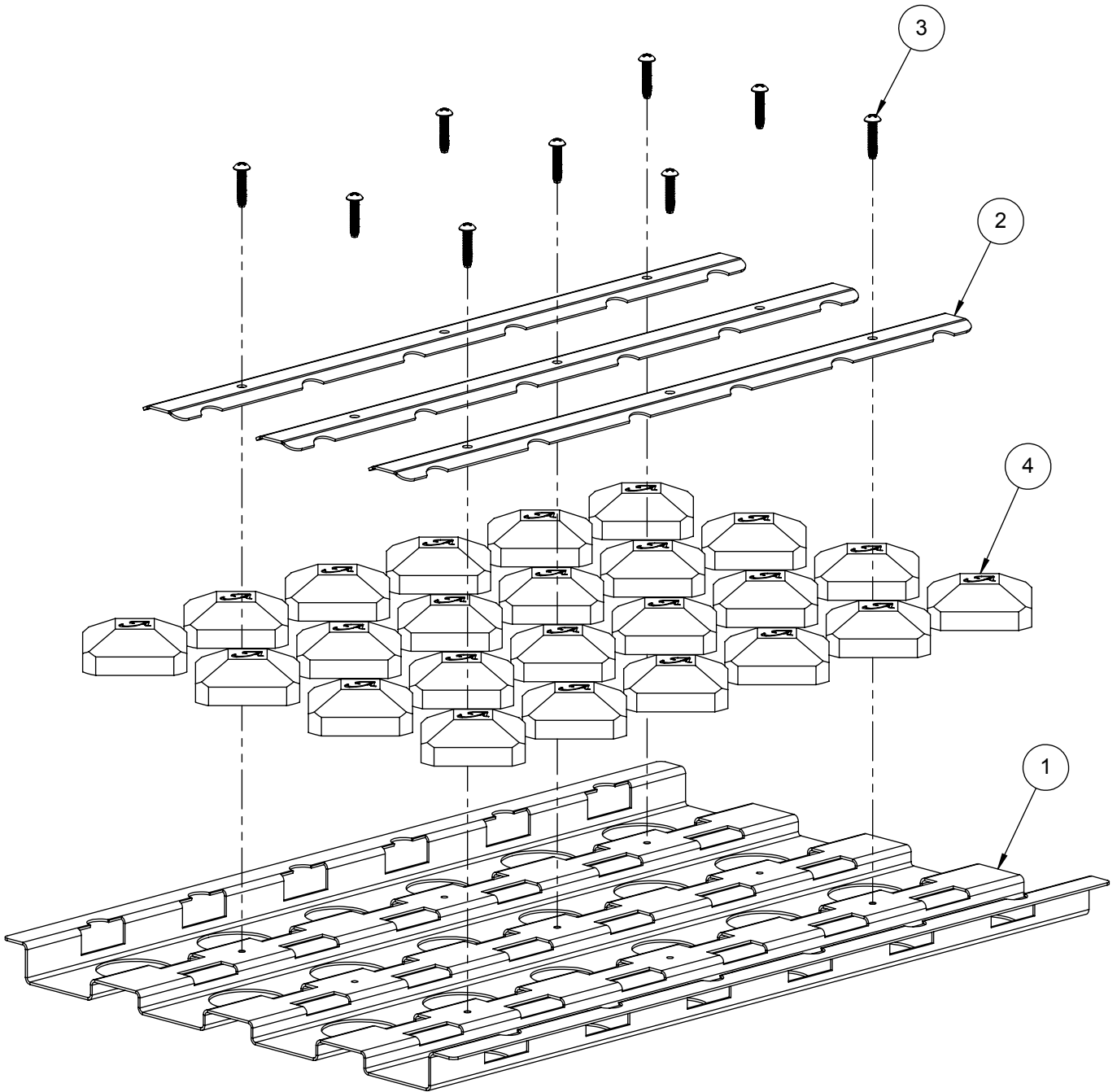
| ITEM | PART NUMBER | DESCRIPTION                                      | QTY |
|------|-------------|--------------------------------------------------|-----|
| 1    | 100-1092    | ALX2 - ROTISSERIE GEAR COVER                     | 1   |
| 2    | 130-2985    | PIVOT PIN                                        | 2   |
| 3    | 200-0057    | SCREW 1/4-20 X 1/2 - TRUSS HEAD - PHILLIPS       | 2   |
| 4    | 200-0062    | 10-32 X 3/4 - PAN HEAD - PHILLIPS SCREW          | 2   |
| 5    | 200-0087    | WASHER - 1/4" SPRING LOCK- REGULAR - SS          | 4   |
| 6    | 200-0089    | BOLT - HEX HEAD 1/4-20 x 1/2" L                  | 4   |
| 7    | 200-0111    | SCREW 8-18 X 1/2 - SELF TAP - 410 SS             | 1   |
| 8    | 200-0361    | SCREW 8-32 X 5/8" - FLAT HEAD 82° - PHILLIPS     | 6   |
| 9    | 290-0119    | ROLLER WHEEL - STAINLESS STL - 3/4" Ø -          | 2   |
| 10   | 510-0139    | ALX2 - ROTISSERIE GEAR ASSEMBLY                  | 1   |
| 11   | 510-0511    | ALX2 - WARMING RACK BRACKET ASSEMBLY - LEFT SIDE | 1   |
| 12   | 510-0513    | ALX2-42 / 42SZ - ROTISSERIE PANEL ASSY           | 1   |
| 13   | 510-0519    | ALX2 - WARMING RACK BRACKET ASSEMBLY- RIGHT SIDE | 1   |
| 14   | 510-0990    | REAR HOOD & RIM WELDED PARTS                     | 1   |



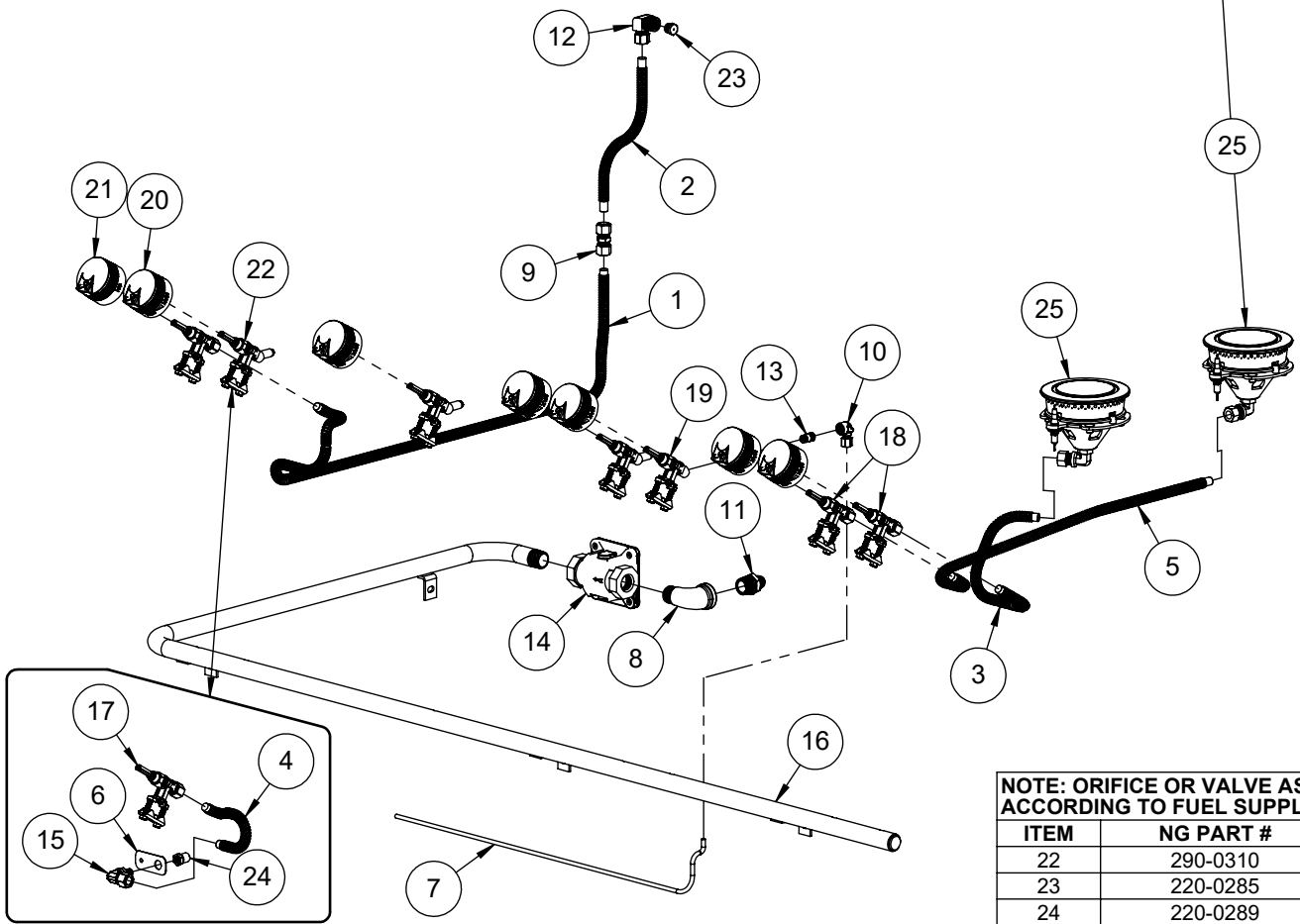
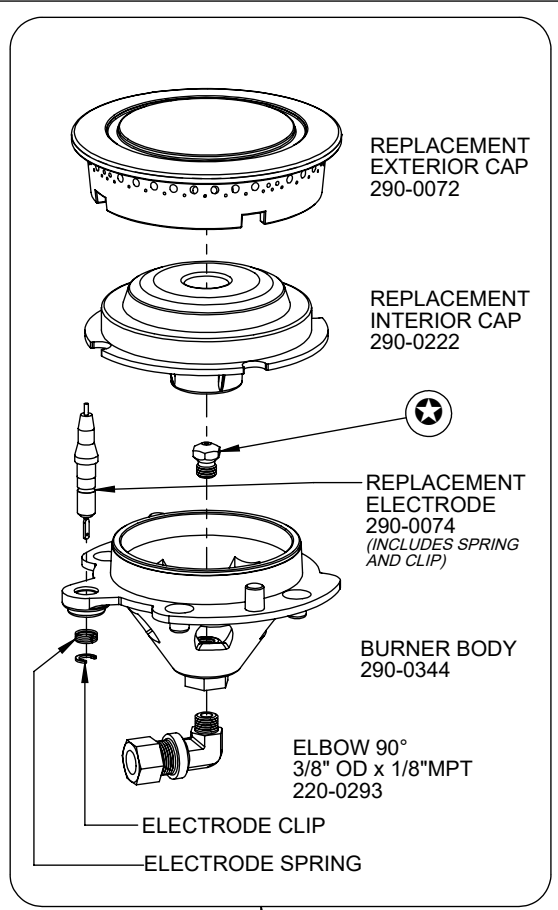
| ITEM | PART NO. | DESCRIPTION                                   | QTY |
|------|----------|-----------------------------------------------|-----|
| 1    | 200-0087 | WASHER - 1/4" SPRING LOCK- REGULAR - SS       | 4   |
| 2    | 200-0219 | HEX HD MACHINE SCREW 1/4-20 UNC X 5/8 LONG SS | 4   |
| 3    | 200-0361 | SCREW 8-32 X 5/8" - FLAT HEAD 82° - PHILLIPS  | 4   |
| 4    | 210-0571 | ALFRESCO 3-1/8 DIA ALXE THERMOMETER           | 1   |
| 5    | 290-0400 | ALFRESCO BBQ / RANGE HANDLE END CAP           | 2   |
| 6    | 290-0417 | ALXE-42 BARBECUE HOOD HANDLE                  | 1   |
| 7    | 510-0896 | FRONT HOOD (WELDED PARTS)                     | 1   |
| 8    | 510-0924 | SPIRAL TORSION SPRING LT                      | 1   |
| 9    | 510-0925 | SPIRAL TORSION SPRING RT                      | 1   |



| ITEM | PART NO. | DESCRIPTION                                                   | QTY |
|------|----------|---------------------------------------------------------------|-----|
| 1    | 100-1894 | ALX2 - BRIQUETTE TRAY BASE                                    | 1   |
| 2    | 100-1895 | ALX2 - BRIQUETTE LOCK BAR                                     | 3   |
| 3    | 200-0312 | SCREW 8-32 x 3/4"- PAN HEAD - PHILLIPS - THREAD CUTTER TYPE F | 9   |
| 4    | 265-0005 | BRIQUETTE - ALFRESCO CUSTOM                                   | 24  |



| ITEM | PART No. | DESCRIPTION                                           | QTY |
|------|----------|-------------------------------------------------------|-----|
| 1    | 100-0914 | ROTISSERIE GAS LINE (42"L x 3/8" Ø - SS. FLEX TUBE)   | 1   |
| 2    | 100-0917 | ROTISSERIE GAS LINE EXTENSION - 3/8"Ø X 8" - SS       | 1   |
| 3    | 100-0917 | ALX2-56 SIDE BURNER 8 in GAS LINE                     | 1   |
| 4    | 100-0917 | SEAR ZONE™ GAS LINE (8"L x 3/8" Ø - SS. FLEX TUBE)    | 1   |
| 5    | 100-0941 | ALX2-56 SIDE BURNER 24 in GAS LINE.SLDPRT             | 1   |
| 6    | 100-1067 | ALX2- SMOKER & SZ™ ORIFICE BRACKET                    | 1   |
| 7    | 100-1156 | 42" BBQ SMOKER GAS LINE                               | 1   |
| 8    | 200-0274 | ELBOW 90°- CAST IRON - 1/2" FPT x 1/2" MPT            | 1   |
| 9    | 220-0151 | COUPLING 3/8" x 3/8" - COMPRESSION - BRASS            | 1   |
| 10   | 220-0273 | ELBOW 90° - 1/8" FPT x 3/16" COMP                     | 1   |
| 11   | 220-0275 | NIPPLE - 1/2" MPT X 3/8" OD FL                        | 1   |
| 12   | 220-0276 | ELBOW 3/8" MPT x 1/8" FPT x 3/8" COMP                 | 1   |
| 13   | 220-0277 | NIPPLE 1/8"MPT x 1/16"MPT                             | 1   |
| 14   | 220-0280 | REGULATOR GAS - MAXITROL RV48CL440002                 | 1   |
| 15   | 220-0293 | ELBOW 3/8-27 UNS x 3/8" COMP                          | 1   |
| 16   | 220-0344 | MANIFOLD - 56" BBQ LX2 DELUXE                         | 1   |
| 17   | 290-0041 | GAS VALVE - STRAIGHT - WITHOUT ORIFICES               | 2   |
| 18   | 290-0042 | GAS VALVE - SIDE BURNER - WITH INTERNAL ORIFICE       | 2   |
| 19   | 290-0066 | GAS VALVE - ANGLED - ORIFICE: INT= 0.95 mm / EXT=NONE | 1   |
| 20   | 290-0433 | ALFRESCO - KNOB - BBQ VALVE - Assembly                | 6   |
| 21   | 290-0434 | ALFRESCO -ROTISSERIE / SEAR ZONE™ KNOB                | 1   |
| 22   | SEE NOTE | GAS VALVE - ANGLED WITH ORIFICE >>> SEE NOTE          | 3   |
| 23   | SEE NOTE | ORIFICE - IR ROTISSERIE UNIT (SEE NOTE FOR SIZING)    | 1   |
| 24   | SEE NOTE | ORIFICE - SEAR ZONE™ >>> SEE NOTE                     | 1   |
| 25   | SEE NOTE | ALX2 - SIDE BURNER ASSEMBLY                           | 2   |



**NOTE: ORIFICE OR VALVE ASSEMBLY TO CHANGE ACCORDING TO FUEL SUPPLY (NG OR LP).**

| ITEM | NG PART # | LP PART # |
|------|-----------|-----------|
| 22   | 290-0310  | 290-0311  |
| 23   | 220-0285  | 220-0286  |
| 24   | 220-0289  | 220-0290  |
| 25   | 290-0070  | 290-0071  |
| ⊗    | 220-0368  | 220-0369  |

**Alfresco**  
 SUPERIOR EQUIPMENT SOLUTIONS  
 7039 EAST SLAUSON AVENUE  
 COMMERCE, CA. 90040

THE INFORMATION CONTAINED IN THIS DRAWING IS THE SOLE PROPERTY OF SUPERIOR EQUIPMENT SOLUTIONS INC. ANY REPRODUCTION IN PART OR AS A WHOLE WITHOUT WRITTEN PERMISSION FROM SUPERIOR EQUIPMENT SOLUTIONS, INC. IS PROHIBITED.  
**DRAWN BY:** N SILCOCK  
**CREATED:** 3/24/2016 2:16:53 PM

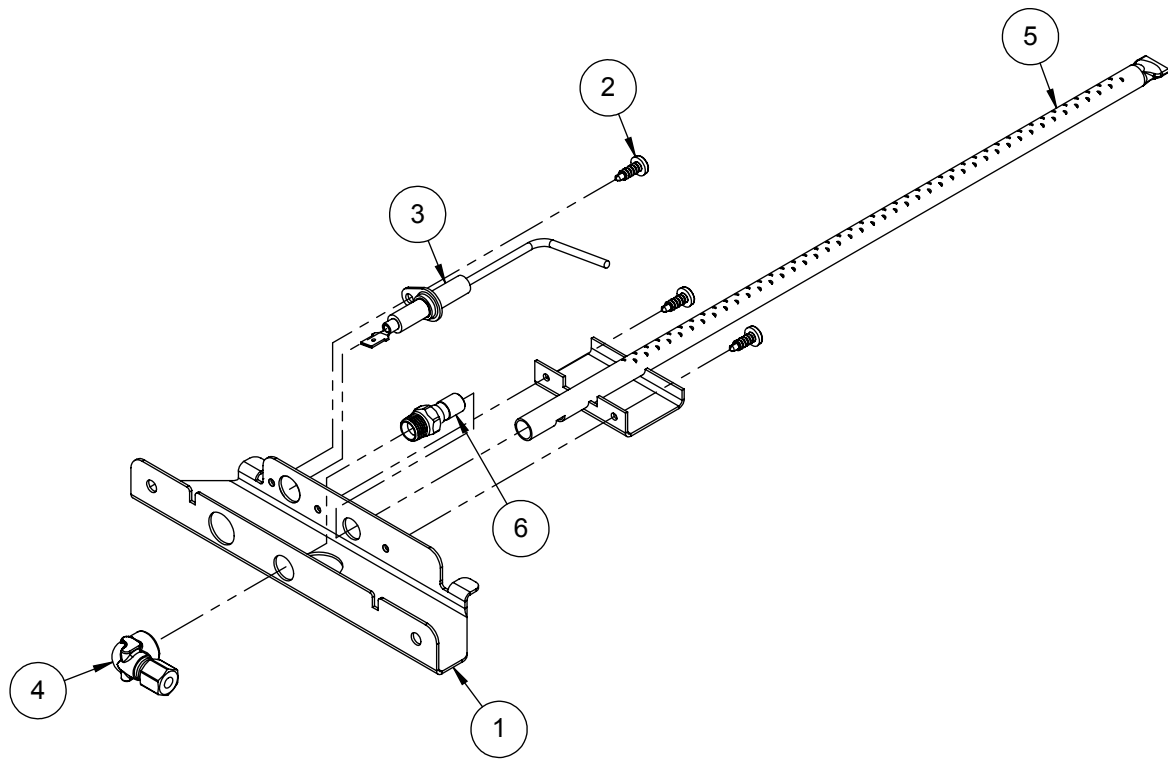
**PROJECT TITLE:**  
**ALXE-56 AND 56SZ**  
**DRAWING TITLE:**  
**ALXE-56 AND 56SZ GAS MANIFOLD ASSEMBLY**

**DRAWING NO.:** 510-099  
**SHEET 1 OF 1**

| ITEM | PART NUMBER | DESCRIPTION                          | QTY |
|------|-------------|--------------------------------------|-----|
| 1    | 130-3019    | MOUNTING BRACKET                     | 1   |
| 2    | 200-0111    | SCREW 8-18 X 1/2 - SELF TAP - 410 SS | 3   |
| 3    | 210-0189    | ELECTRODE - "L" SHAPED - MAIN BURNER | 1   |
| 4    | 220-0273    | ELBOW 90° - 1/8" FPT x 3/16" COMP    | 1   |
| 5    | 510-0504    | ALX2 - SMOKER BURNER ASSEMBLY        | 1   |
| 6    | SEE NOTE    | ORIFICE - SMOKER UNIT >>> SEE NOTE   | 1   |

**NOTE:** ORIFICE OR VALVE ASSEMBLY TO CHANGE ACCORDING TO FUEL SUPPLY: NATURAL GAS OR LIQUID PROPANE

| ITEM | NG GAS   | LP GAS   |
|------|----------|----------|
|      | PART #   | PART #   |
| 6    | 220-0313 | 220-0313 |



**Alfresco**  
 SUPERIOR EQUIPMENT SOLUTIONS  
 7039 EAST SLAUSON AVENUE  
 COMMERCE, CA. 90040

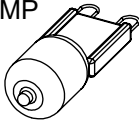
THE INFORMATION CONTAINED IN THIS DRAWING IS THE SOLE PROPERTY OF SUPERIOR EQUIPMENT SOLUTIONS INC. ANY REPRODUCTION IN PART OR AS A WHOLE WITHOUT WRITTEN PERMISSION FROM SUPERIOR EQUIPMENT SOLUTIONS, INC. IS PROHIBITED.  
**DRAWN BY:** N SILCOCK  
**CREATED:** 2/29/2016 11:42:41 AM

**PROJECT TITLE:**  
**ALXE BARBECUES**  
**DRAWING TITLE:**  
**ALXE SMOKER BURNER ASSEMBLY**

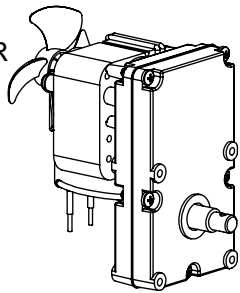
**DRAWING NO.:** 510-091  
 SHEET 1 OF 1

| ITEM | PART NUMBER | DESCRIPTION                                | QTY |
|------|-------------|--------------------------------------------|-----|
| 1    | 210-0189    | ELECTRODE - "L" SHAPED - U-BURNER / SMOKER | 4   |
| 2    | 210-0192    | ELECTRODE - DUAL TIP - SEARZONE™           | 1   |
| 3    | 210-0240    | ELECTRODE - DUAL TIP "L" SHAPE- ROTISSERIE | 1   |
| 4    | 210-0465    | IGNITER MODULE (4 POINTS)                  | 2   |
| 5    | 210-0509    | LAMP ASSEMBLY (32" WIRE LENGTH)            | 1   |
| 6    | 210-0510    | LAMP ASSEMBLY ( 56" WIRE LENGTH)           | 1   |
| 7    | 210-0522    | ALX2-56 / 56SZ - IGNITER WIRE KIT          | 1   |
| 8    | 210-0626    | ALXE PERIMETER LIGHT SWITCH                | 1   |
| 9    | 290-0074    | ELECTRODE ASSEMBLY                         | 2   |
| 10   | 510-0514    | ALX2 - ROTISSERIE MOTOR BOX ASSEMBLY       | 1   |

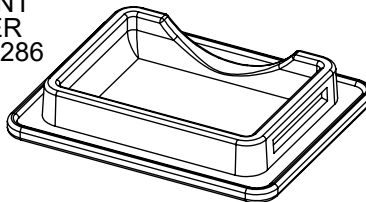
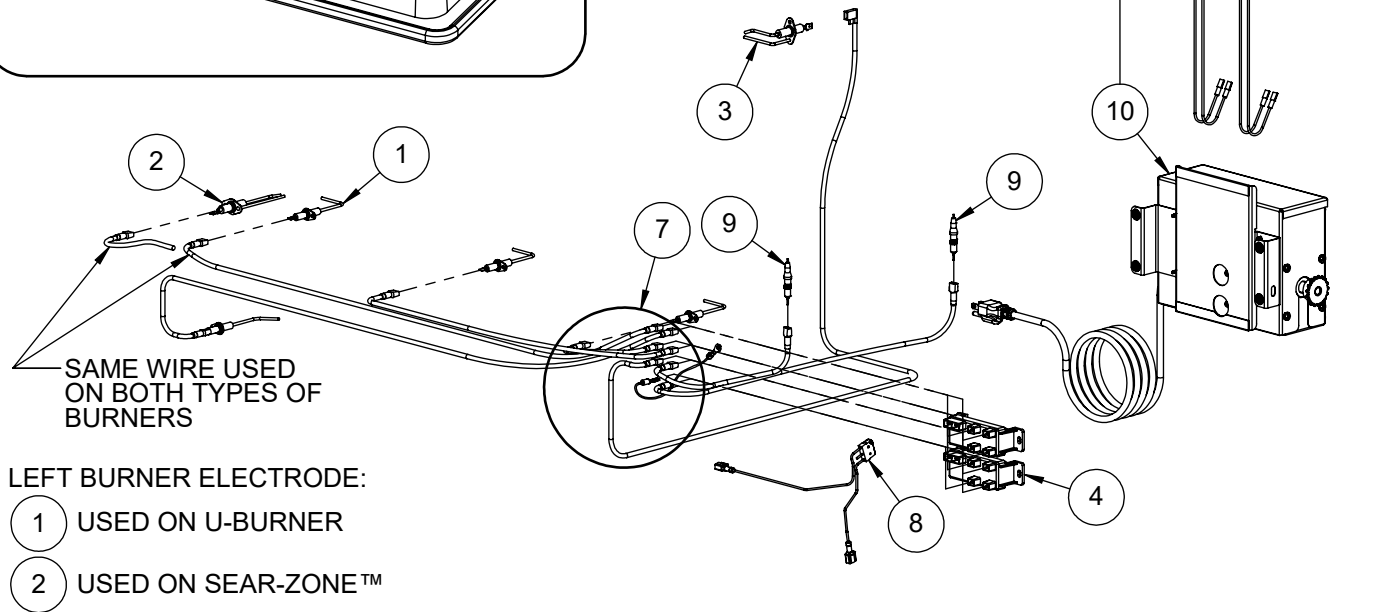
REPLACEMENT LAMP  
G940120-G9 BASE  
40W - 120 VAC  
PART # 210-0317



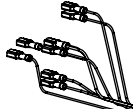
REPLACEMENT  
ROTISSERIE MOTOR  
PART # 210-0235



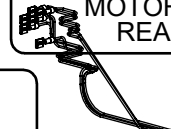
REPLACEMENT  
GLASS COVER  
PART # 210-0286

CONNECTIONS: NEUTRAL TO TRANSFORMER,  
POWER TO TRANSFORMER AND IGNITER, LIGHTS  
& ROTISSERIE SWITCHES. FRONT LEFT.

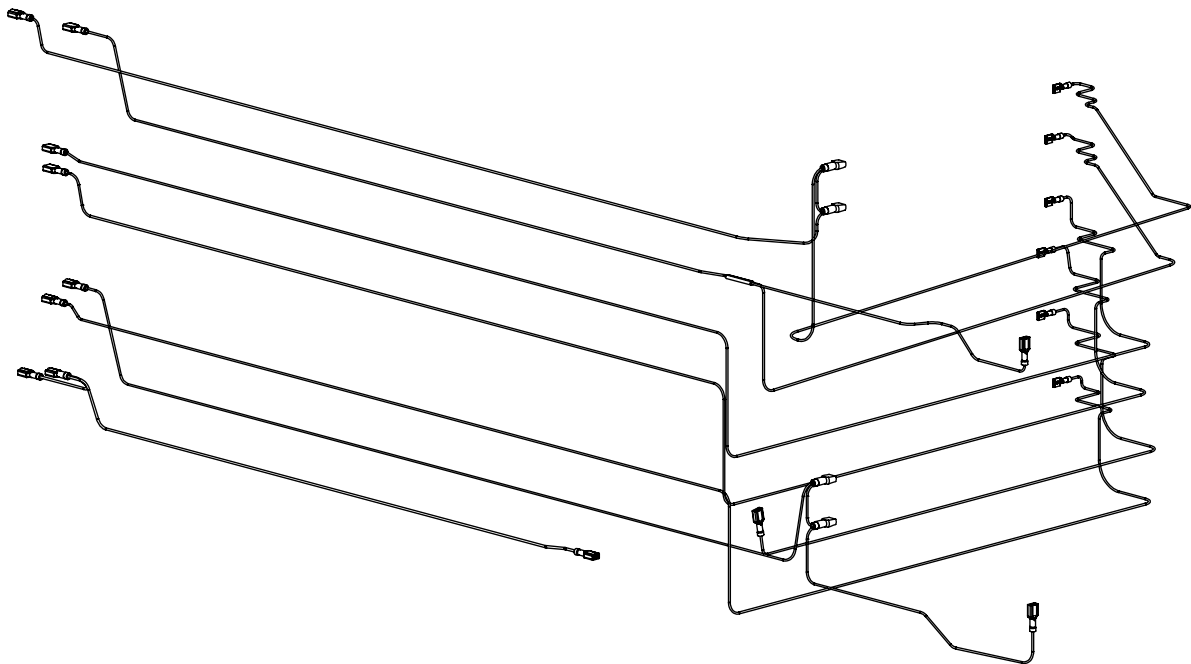


CONNECTIONS IN  
MOTOR BOX AT  
REAR RIGHT.



CONNECTIONS: IGNITER NEUTRAL & POWER,  
PERIMETER LIGHT SWITCH NEUTRAL & POWER,  
AND POWER TO TRANSFORMER. FRONT RIGHT.

**WIRING HARNESS PART NUMBER 210-0630**



**EXPLODED VIEW OF WIRING HARNESS**  
**NOTE: INDIVIDUAL WIRES ARE NOT SOLD SEPARATELY**

# *Alfresco*<sup>™</sup>

*Open Air Culinary Systems*

***ALXE-56 PARTS MANUAL***

***ALFRESCO<sup>™</sup> GOURMET GRILLS***

***ALL RIGHTS RESERVED 04/2016***