

This Owner's Manual is provided and hosted by [Appliance Factory Parts](#).



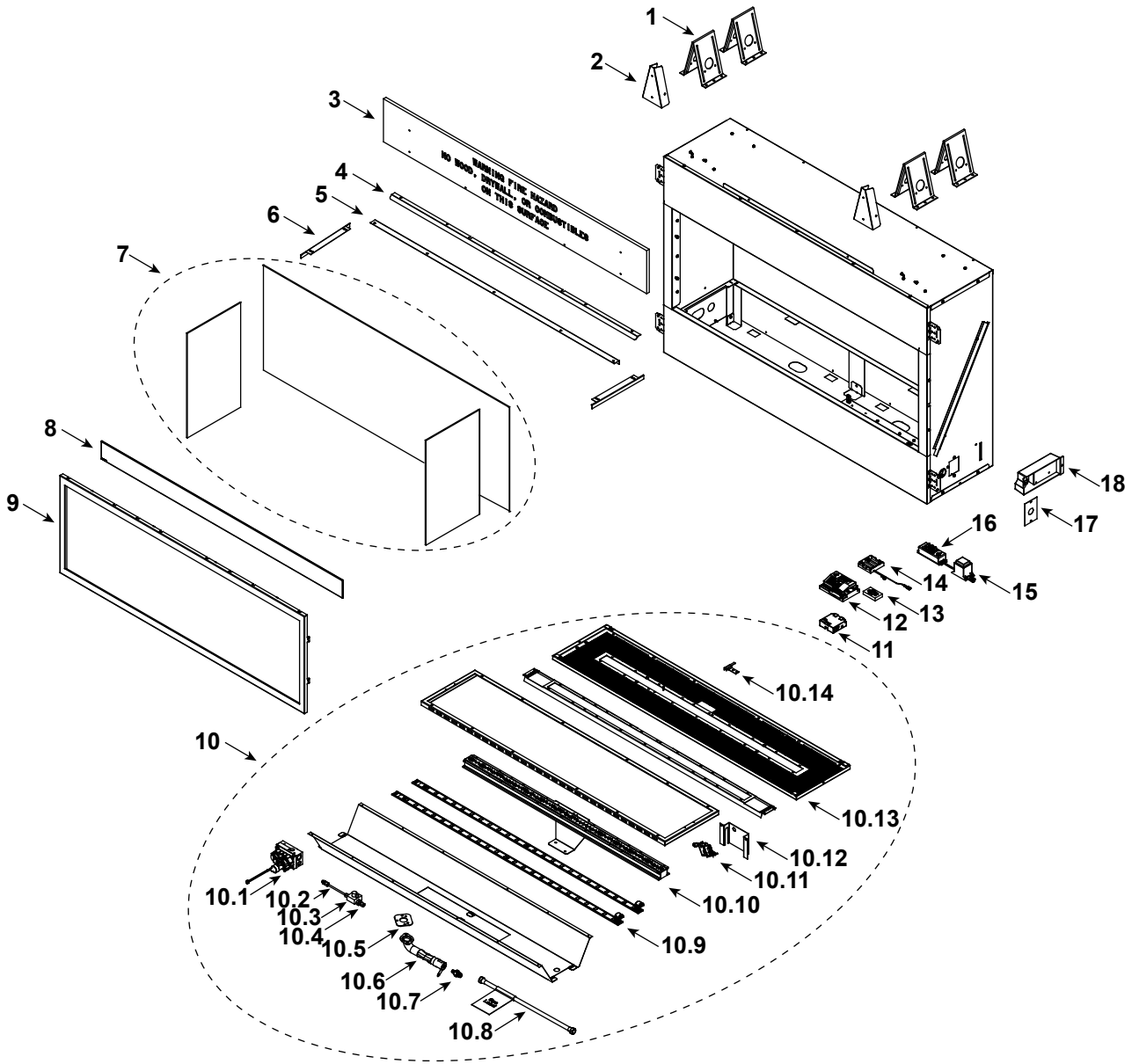
Monessen Hearth AVFL60NIP-B Owner's Manual

[Shop genuine replacement parts for Monessen Hearth
AVFL60NIP-B](#)



[Find Your Monessen Hearth Fireplace Parts - Select From 701 Models](#)

----- Manual continues below -----



Part number list on following page.



IMPORTANT: THIS IS DATED INFORMATION. Parts must be ordered from a dealer or distributor. **Hearth and Home Technologies does not sell directly to consumers.** Provide model number and serial number when requesting service parts from your dealer or distributor.



**Stocked
at Depot**

ITEM	DESCRIPTION	COMMENTS	PART NUMBER	
1	Top Standoff	Qty 4 req	118641	
2	Bracket	Qty 2 req	SRV4099-198	
3	Non-combustible Board		SRV4101-325	
4	Hood		SRV4101-135	
5	Black Glass Bracket (Back)		SRV4101-195	
6	Black Glass Bracket (Sides)	Qty 2 req	SRV4099-196	
7	Black Glass Assembly (Includes Back & 2 Sides)		SRV4101-025	Y
8	Deflection Glass		SRV4112-301	Y
9	Frame & Screen Assembly		SRV4101-029	Y
	Flex Line w/Shutoff		SRV69D0030	Y
10	Complete Service Engine	NG	SRV4101-015	
		Propane	SRV4101-016	
10.1	Valve Assembly	NG	SRV4604-300	Y
		Propane	SRV4604-301	Y
10.2	Tube, 3/16 Pilot		SRV20304115	Y
10.3	Pilot Regulator		SRV14D0469	Y
10.4	Fitting, 3/16 Tube x 1/8 NPT	Qty 2 req	SRV20H0109	Y
10.5	Venturi Gasket		SRV45D0032	Y
10.6	Venturi Assembly	NG	SRV4099-034	Y
		Propane	SRV4099-033	Y
10.7	Orifice Flare .120 (#31) NG	NG	SRV4018-345	Y
	Orifice Flare .076 (#48) Propane	Propane	SRV4018-349	Y
10.8	Flex Gas Line, 16"		SRV4121-006	
10.9	LED Light Strip	Qty 2 req	SRV4101-321	Y
10.10	Burner Assembly		SRV4101-021	Y
10.11	Pilot Assembly	NG	SRV26D2529	Y
		Propane	SRV14D0476	Y
10.12	Pilot Shield		SRV4099-141	
10.13	Screen Cover		SRV4101-109	
10.14	Pilot Carry Over		SRV4099-143	
11	Thermocouple Module		SRV4018-064	Y
	Wiring Harness, Thermocouple Module		SRV20301890	Y
12	Module, IPI 30 Black		2166-338	Y
13	ODS Adapter Box		SRV4604-302	Y
	Wiring Harness, ODS Box to Adapter Box		SRV4604-304	Y
	Wiring Harness, 8K-1 Adapter Box		SRV4604-305	Y

Additional service part numbers appear on following page.

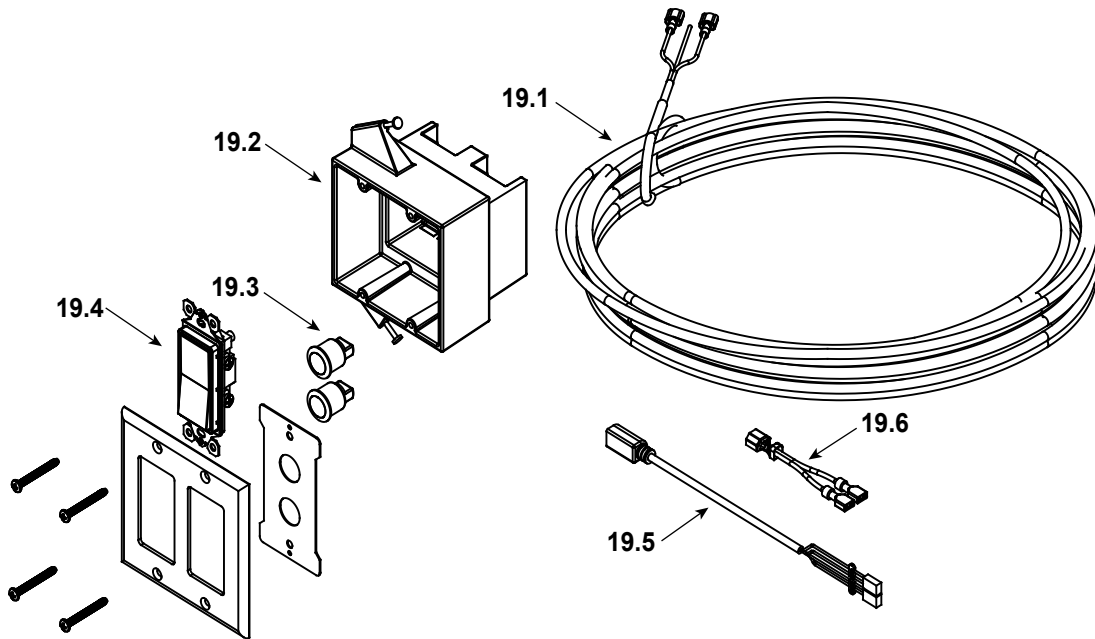
IMPORTANT: THIS IS DATED INFORMATION. Parts must be ordered from a dealer or distributor. **Hearth and Home Technologies does not sell directly to consumers.** Provide model number and serial number when requesting service parts from your dealer or distributor.



**Stocked
at Depot**

ITEM	DESCRIPTION	COMMENTS	PART NUMBER	
14	Battery Pack		SRV2166-323	Y
	Transformer, 6 Volt Wall		SRV2326-131	Y
	Harness, IFT 6 Pin Wiring		SRV2326-132	Y
15	LED Transformer		20308559K	
16	LED Control Module		SRV4121-160	Y
	LED Adapter	Qty 2 req	SRV4018-114	
17	Cover Plate		SRV4604-103	Y
18	Junction Box		SRV4021-013	Y
	Remote RC300-MON-VFL		SRV4018-149	

#19 IPI Wall Kit



19	IPI Wall Kit		SRV4099-023	
19.1	Thermostat Wire		SRV2118-170	Y
19.2	Outlet Box		SRV4021-117	Y
19.3	LED Panel Switch	Qty 2 req	20308586K	
19.4	Wall Switch		20304686K	
19.5	Input Cable		20308587K	
19.6	Jumper Wire		SRV2187-198	Y