

This Owner's Manual is provided and hosted by [Appliance Factory Parts](#).



# Monessen Hearth AVFL60NIP-B Owner's Manual

[Shop genuine replacement parts for Monessen Hearth  
AVFL60NIP-B](#)



[Find Your Monessen Hearth Fireplace Parts - Select From 701 Models](#)

----- Manual continues below -----



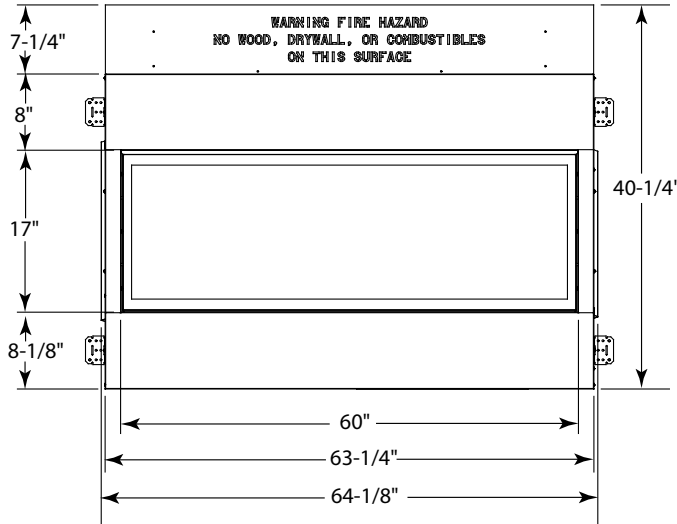
LOVE AT FIRST LIGHT

Please consult the manufacturer's installation manual for all details and requirements before making a final design layout decision.

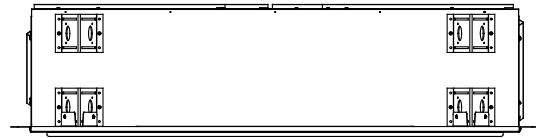
**Artisan**  
Vent Free Fireplace System

| MODEL  | FRONT WIDTH |         | BACK WIDTH |         | HEIGHT  |         | DEPTH   |         | VIEWING AREA |
|--------|-------------|---------|------------|---------|---------|---------|---------|---------|--------------|
|        | Actual      | Framing | Actual     | Framing | Actual  | Framing | Actual  | Framing |              |
| AVFL60 | 64-1/8"     | 64-5/8" | 64-1/8"    | 64-5/8" | 39-1/2" | 39-3/4" | 13-3/8" | 13-1/8" | 60" x 17"    |

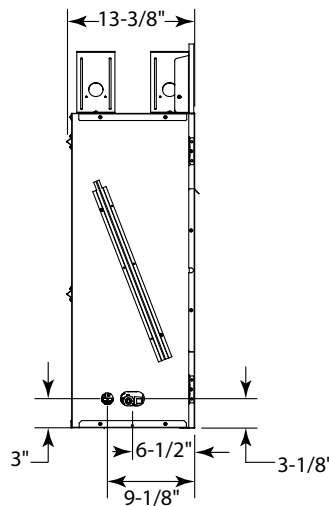
FRONT VIEW



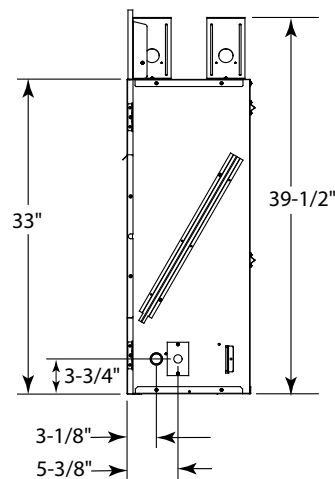
TOP VIEW



LEFT SIDE VIEW



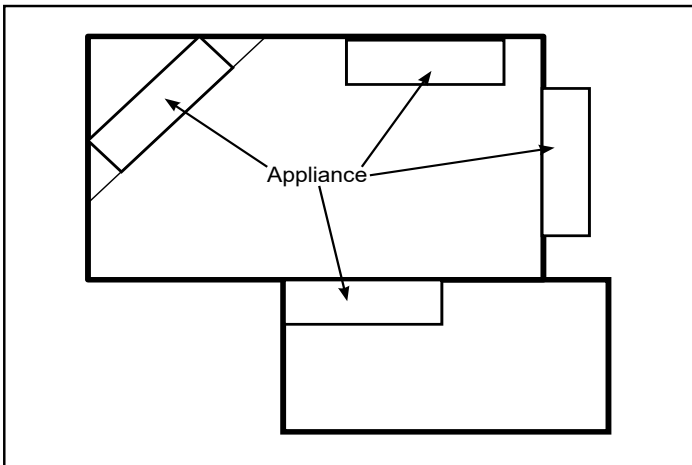
RIGHT SIDE VIEW



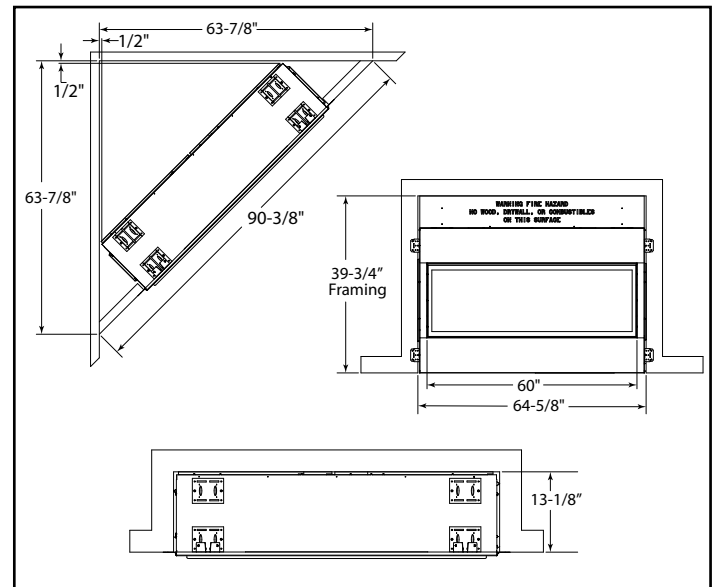
**DETERMINE UNIT SIZE**

See homeowner's manual for information on determining the proper size unit for the space required.

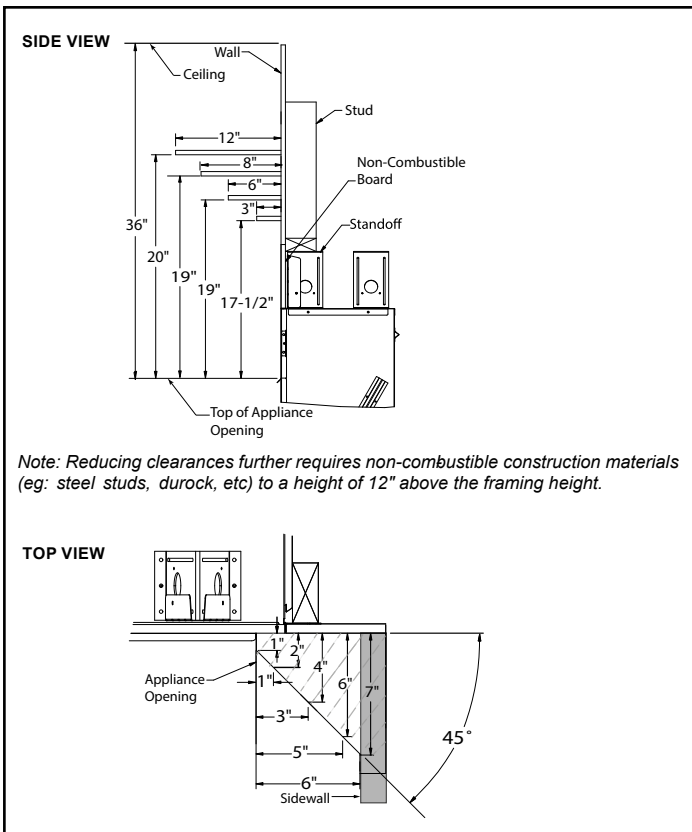
**APPLIANCE LOCATIONS**



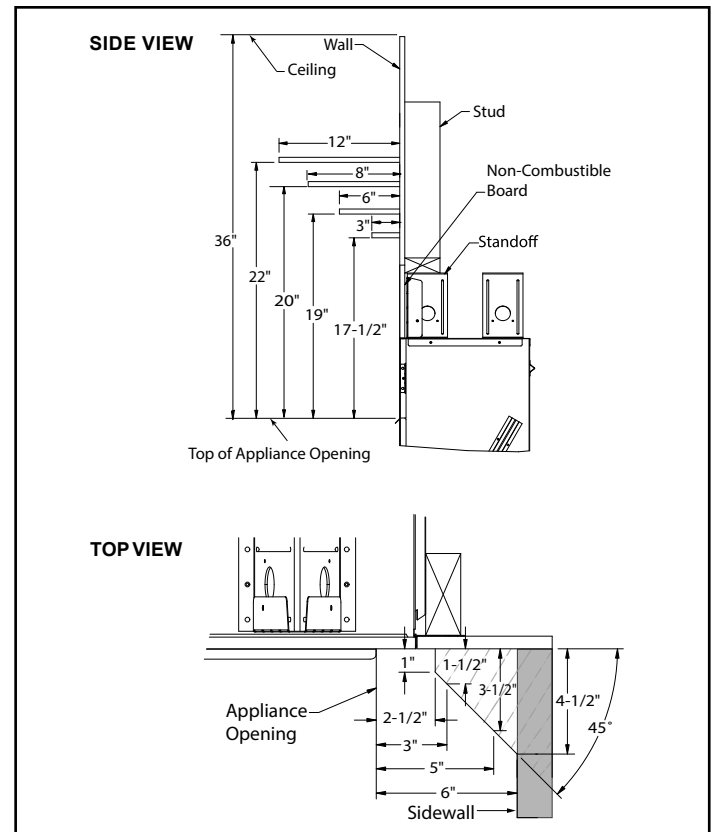
**FRAMING DIMENSIONS**



**NON-COMBUSTIBLE MANTEL CLEARANCES**



**COMBUSTIBLE MANTEL CLEARANCES**



**Back Wall Clearance** — The appliance may be placed against a combustible back wall.

**Floor Clearance** — The fireplace may be installed directly on a combustible floor or a raised platform of an appropriate height. Do not place fireplace on carpeting, vinyl, tile or other soft floor coverings. It may, however, be placed on flat wood, plywood, particle board or other hard surfaces. Be sure fireplace rests on a solid continuous floor or platform with appropriate framing for support and so that no cold air can enter from under the firebox.

| PRODUCT LISTING CODES |  |
|-----------------------|--|
| US                    | ANSI Z223.1 / NFPA54<br>ANSI Z21.11.2:19 |



LOVE AT FIRST LIGHT

(877) 863-4350 | monessenhearth.com

Product information provided is not complete and is subject to change without notice. Product installation must adhere strictly to instructions accompanying product to avoid risk of fire and potential injury.