

This Owner's Manual is provided and hosted by [Appliance Factory Parts](#).



Monessen Hearth VFC24LPI Owner's Manual

[Shop genuine replacement parts for Monessen Hearth
VFC24LPI](#)



[Find Your Monessen Hearth Fireplace Parts - Select From 701 Models](#)

----- Manual continues below part list -----

Available Replacement Parts for Monessen Hearth VFC24LPI

[SRV32D0232](#)

SWITCH, ON/OFF+

Monessen Traditional Series Vent Free Gas Fireplaces
WARM. INVITING. FLEXIBLE.



SYMPHONY



Above: Symphony with Cinnamon firebrick, log set and Decorative face
Cover: Symphony shown with log set and Transitional face

Compact and versatile, the Symphony vent free gas fireplace heats smaller spaces beautifully and affordably. This convenient and efficient hearth is a simple choice that's big on benefits. A slim design, clean face and expansive views maximize enjoyment. It's never been easier and more economical to heat up your favorite space.

Features

- No chimney or venting required makes installation fast, easy, and affordable
- Slim, clean design with expansive views
- Customizable to blend with any décor
- Available in 24" or 32" models
- Up to 28,000 BTUs
- Available in millivolt or IPI control

ACCESSORIES

Cabinet options



Barrington wall cabinet
Unfinished or Dark Walnut



Wall cabinet
Honey Oak or Dark Cherry

Interior liner options



Cinnamon ceramic
fiber firebrick



Colonial red ceramic
fiber firebrick



Black porcelain panels
reflect the flame



Black Magic glass panels for
more reflection and durability

Face options (Symphony only)



Decorative face



Transitional face

ARIA



Aria shown with Berkley Oak log set and Cinnamon brick interior panels

The Aria vent free gas fireplace is designed to add big, bold and beautiful flames to spaces requiring generous, efficient heat. A clean look lets the flames take center stage while complementing décor. Style reigns supreme as you select from a variety of options and accessories to fit your tastes. The Aria warmly welcomes you home.

Features

- No chimney or venting required makes installation fast, easy, and affordable
- Deeper, clean design with expansive views
- Available in 32" or 36" models
- Up to 37,000 BTUs
- Available in millivolt or IPI control

Log set options (Aria only)



Beachcomber



Berkley Oak



Stony Creek



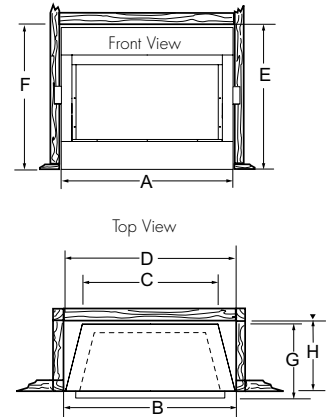
Highland Oak

Other accessories not shown

Volcanic Rock | Black Trim Kit | Blower Kit | Remote Controls | Ipi Fan Kit | Thermostat Bulb Sensor
For more information, go to monessenhearth.com.

SPECIFICATIONS

| SPECIFICATIONS | | Symphony VFC32 | Symphony VFC24 | Aria VFF36 | Aria VFF32 |
|----------------|-------------|-----------------------|-------------------|-----------------------|-----------------------|
| FRONT WIDTH | ACTUAL / A | 32" | 24-5/8" | 41" | 37" |
| | FRAMING / B | 32-1/2" | 25-1/8" | 41-1/4" | 37-1/4" |
| BACK WIDTH | ACTUAL / C | 25-3/4" | 19" | 32" | 29" |
| | FRAMING / D | 32-1/2" | 25-1/8" | 41-1/4" | 37-1/4" |
| HEIGHT | ACTUAL / E | 30" | 26-1/2" | 34-1/2" | 34-1/2" |
| | FRAMING / F | 30-1/4" | 26-3/4" | 35" | 35" |
| DEPTH | ACTUAL / G | 14-1/2" | 14-1/2" | 20-5/8" | 18-5/8" |
| | FRAMING / H | 13-3/8" | 13-3/8" | 17-1/2" | 15-1/2" |
| VIEWING AREA | | 28-3/4" x 19-1/2" | 22-5/8" x 16-1/4" | 36" x 21-3/4" | 32" x 21-3/4" |
| BTU/HR INPUT | | 28,000(NG)/27,000(LP) | 22,000 (NG & LP) | 37,000(NG)/36,000(LP) | 37,000(NG)/36,000(LP) |



Cabinet Dimensions

| Cabinet | Fireplace | A | B | C | D | E | F | G | H | I | Max adj opening WxH | Min adj opening WxH | Max fireplace depth |
|-----------------------------------|-----------|----------|---------|---------|---------|----|---------|-----|---|---|---------------------|---------------------|---------------------|
| Barrington Premium Cabinet | | | | | | | | | | | | | |
| BWC300 | VFC24 | 52-1/2" | 17-3/4" | 44" | 34-3/8" | 5" | 47-5/8" | 30" | — | — | 26-1/2" X 27" | 24" X 23-1/2" | 10-1/2" |
| BWC400 | VFC32 | 61-9/16" | 17-3/4" | 50-3/4" | 34-3/8" | 5" | 47-5/8" | 30" | — | — | 35-1/2" X 32-3/4" | 32" X 29" | 14" |
| BWC500 | VFF32 | 67-1/2" | 22" | 54-1/4" | — | — | — | — | — | — | 42" x 37-3/8" | 36" x 33" | 18" |
| BWC500 | VFF36 | 67-1/2" | 22" | 54-1/4" | — | — | — | — | — | — | 42" x 37-3/8" | 36" x 33" | 18" |

Standard Wall Cabinet Mantels (Hearth Base Included with Cabinet)

| | | | | | | | | | | |
|---------|-------|---------|---------|---------|---------|---------|---------|---------|---------|--------|
| WSH24 | VFC24 | 38-1/8" | 15-7/8" | 38-1/4" | 14-5/8" | 26-1/4" | 24-7/8" | 27" | 35-7/8" | 4-3/8" |
| WSH32 | VFC32 | 52" | 18-1/2" | 48" | 14-5/8" | 34-1/8" | 33" | 31-1/8" | 45-1/4" | 6-3/4" |
| WSHGC32 | VFF32 | 57-3/4" | 21" | 49-3/4" | 18" | 39-1/4" | 37-3/4" | 35-7/8" | 52-1/4" | 5" |
| WSHGC36 | VFF36 | 61-1/2" | 22-1/4" | 49-3/4" | 19-3/8" | 43-1/4" | 41-3/4" | 35-7/8" | 56-1/4" | 5" |



LOVE AT FIRST LIGHT

Your Monessen Dealer:

FPO
for FSC
certification
mark

To avoid personal injury or property damage, the product described by this brochure must be installed, operated and maintained in strict compliance with the instructions packaged with the product and all applicable building or fire codes. Contact local building or fire officials about restrictions and installation inspection requirements. All photographs and drawings on this brochure are for illustrative purposes only and are not intended for, nor should they be used as a substitute for the instructions packaged with the unit. Appearance and specifications of the product are subject to change without notice. ©2018 Hearth & Home Technologies.

www.monessenhearth.com