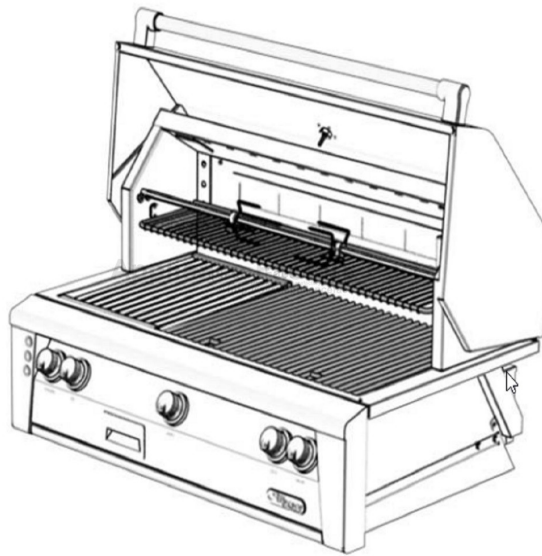


This Owner's Manual is provided and hosted by [Appliance Factory Parts](#).



Alfresco ALXE42 Owner's Manual

[Shop genuine replacement parts for Alfresco ALXE42](#)

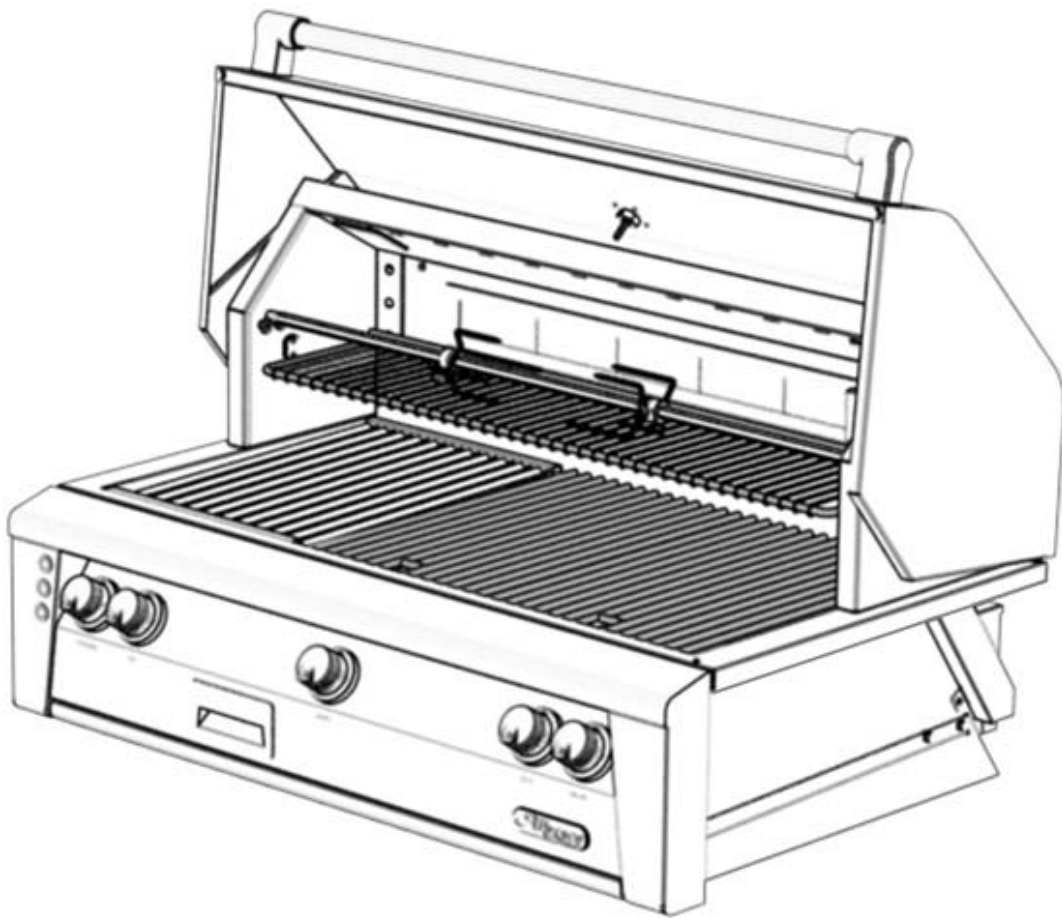


[Find Your Alfresco Grill Parts - Select From 126 Models](#)

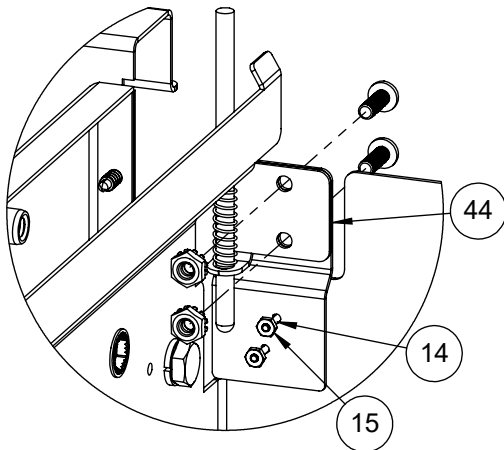
----- Manual continues below -----

Alfresco™

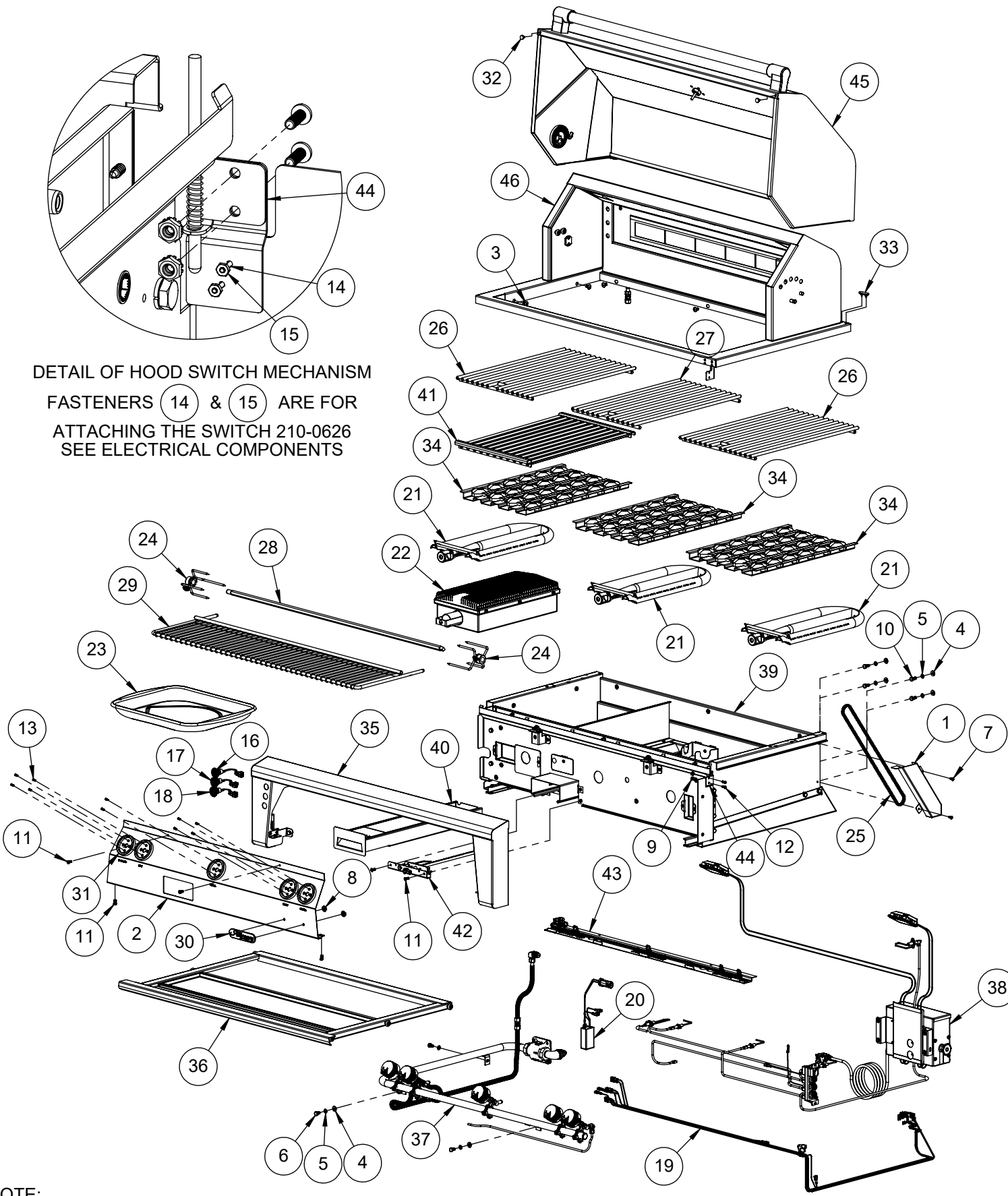
Open Air Culinary Systems



ALXE-42 & 42SZ Parts Manual
Serial Numbers 18-00000 forward



DETAIL OF HOOD SWITCH MECHANISM
 FASTENERS 14 & 15 ARE FOR
 ATTACHING THE SWITCH 210-0626
 SEE ELECTRICAL COMPONENTS



NOTE:
 SEARZONE™ BURNER (22) AND GRILL (41) USED ON ALXE-42SZ
 OTHERWISE, ONLY BURNER (21), GRILL (26) AND BRIQUETTE (34) USED ON ALXE-42

Alfresco
 SUPERIOR EQUIPMENT SOLUTIONS
 7039 EAST SLAUSON AVENUE
 COMMERCE, CA. 90040

THE INFORMATION CONTAINED IN THIS DRAWING IS THE
 SOLE PROPERTY OF SUPERIOR EQUIPMENT SOLUTIONS
 INC. ANY REPRODUCTION IN PART OR AS A WHOLE
 WITHOUT WRITTEN PERMISSION FROM SUPERIOR
 EQUIPMENT SOLUTIONS, INC. IS PROHIBITED.
DRAWN BY: N SILCOCK
CREATED: 01/30/18

PROJECT TITLE:
ALXE-42 AND 42SZ
 DRAWING TITLE:
BUILT-IN BARBECUE

DRAWING NO.: **500-016**
 SHEET 1 OF 2

ITEM	PART NUMBER	DESCRIPTION	QTY
1	100-1877	ROTISSERIE CHAIN COVER	1
2	130-2989	FRONT PANEL	1
3	200-0057	SCREW 1/4-20 X 1/2 - TRUSS HEAD - PHILLIPS	10
4	200-0074	FLAT WASHER 1/4 TYPE A NARROW	6
5	200-0087	WASHER - 1/4" SPRING LOCK- REGULAR - SS	9
6	200-0089	BOLT - HEX HEAD 1/4-20 x 1/2" L	4
7	200-0111	SCREW 8-18 X 1/2 - SELF TAP - 410 SS	11
8	200-0125	NUT THREAD CUTTER FOR 1/4" Ø STUD -SPEED NUT	2
9	200-0206	8-32 KEP NUT 18-8 STAINLESS	4
10	200-0219	HEX HD MACHINE SCREW 1/4-20 UNC X 5/8 LONG SS	4
11	200-0267	10-32 X 1/2 - PAN HEAD - PHILLIPS SCREW	6
12	200-0270	SCREW 8-32 X 1/2 - PAN HEAD PHILIPS - 304 SS	4
13	200-0348	Screw 6-32 x 3/8 Flat Head (82°) phillips - Thread Cutter - #2 Drive - SS 410	10
14	200-0362	18-8 SS PAN HEAD SCREW 2-56 X 3/8	2
15	200-0363	18-8 SS HEX NUT 2-56	2
16	210-0583	SWITCH - IGNITION - MOMENTARY [ON]/OFF	1
17	210-0584	SWITCH - LIGHT - LATCHING [ON/OFF]	1
18	210-0585	SWITCH - ROTISSERIE - LATCHING [ON/OFF]	1
19	210-0614	WIRING HARNESS	1
20	210-0623	TRANSFORMER ASSY FOR ALXE	1
21	290-0038	BURNER - GRILL - "U" SHAPE	3
22	290-0052	ALFRESCO SEAR ZONE™ BURNER ASSEMBLY	1
23	290-0059	ROTISSERIE DRIP PAN	1
24	290-0096	FORK ASSEMBLY	2
25	290-0116	CHAIN - ANSI # 25 - 1/4" PITCH - .13" Ø X 1/8" ROLLER	1
26	290-0124	GRILL 30" BBQ - 12¾" WIDE - SS	2
27	290-0157	GRILL 30" BBQ - 11¾" WIDE - SS	1
28	290-0158	SPEAR - ROTISSERIE - 42" - 2006 BBQ	1
29	290-0304	WARMING RACK - SS	1
30	290-0377	ALFRESCO RANGE LOGO	1
31	290-0388	ALFRESCO RANGE KNOB - BEZEL RING	5
32	290-0465	Bumper 600°F 1/2" dia x 5/32" head	2
33	290-0468	Bumper 600°F (obround), black	2
34	510-0522	BRIQUETTE TRAY ASSEMBLY	3
35	510-0892	FRONT PANEL PERIMETER	1
36	510-0899	42" DRIP TRAY ASSEMBLY	1
37	510-0900	GAS MANIFOLD ASSEMBLY	1
38	510-0901	ELECTRICAL COMPONENTS	1
39	510-0903	FIREBOX MAIN ASSEMBLY	1
40	510-0912	SMOKER BOX	1
41	510-0913	SEARZONE™ GRILL ASSEMBLY	1
42	510-0918	SMOKER BURNER ASSEMBLY	1
43	510-1000	LED LIGHT FIXTURE	1
44	510-1026	HOOD SWITCH MECHANISM	1
45	510-1162	FRONT HOOD	1
46	510-1169	REAR HOOD & RIM	1



THE INFORMATION CONTAINED IN THIS DRAWING IS THE SOLE PROPERTY OF SUPERIOR EQUIPMENT SOLUTIONS INC. ANY REPRODUCTION IN PART OR AS A WHOLE WITHOUT WRITTEN PERMISSION FROM SUPERIOR EQUIPMENT SOLUTIONS, INC. IS PROHIBITED.

DRAWN BY: N SILCOCK
CREATED: 1/14/2016 3:03:00 PM

PROJECT TITLE:

ALXE-42 AND 42SZ

DRAWING TITLE:

DRAWING NO.:

500-016

SHEET 2 OF 2

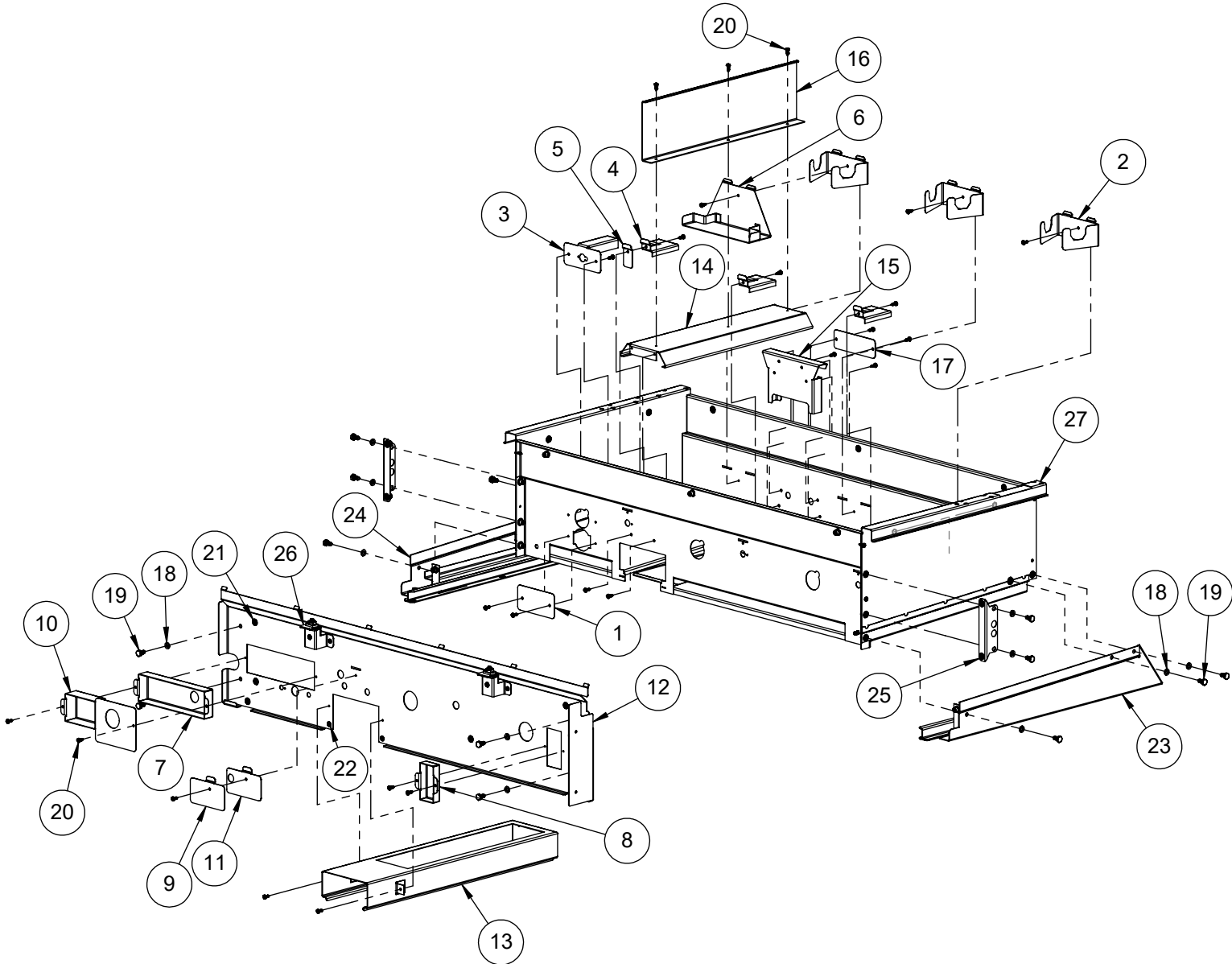
NOTE:
UNIQUE PARTS USED ON ALXE-42 MODEL

1 4 10 11

UNIQUE PARTS USED ON ALXE-42SZ MODEL

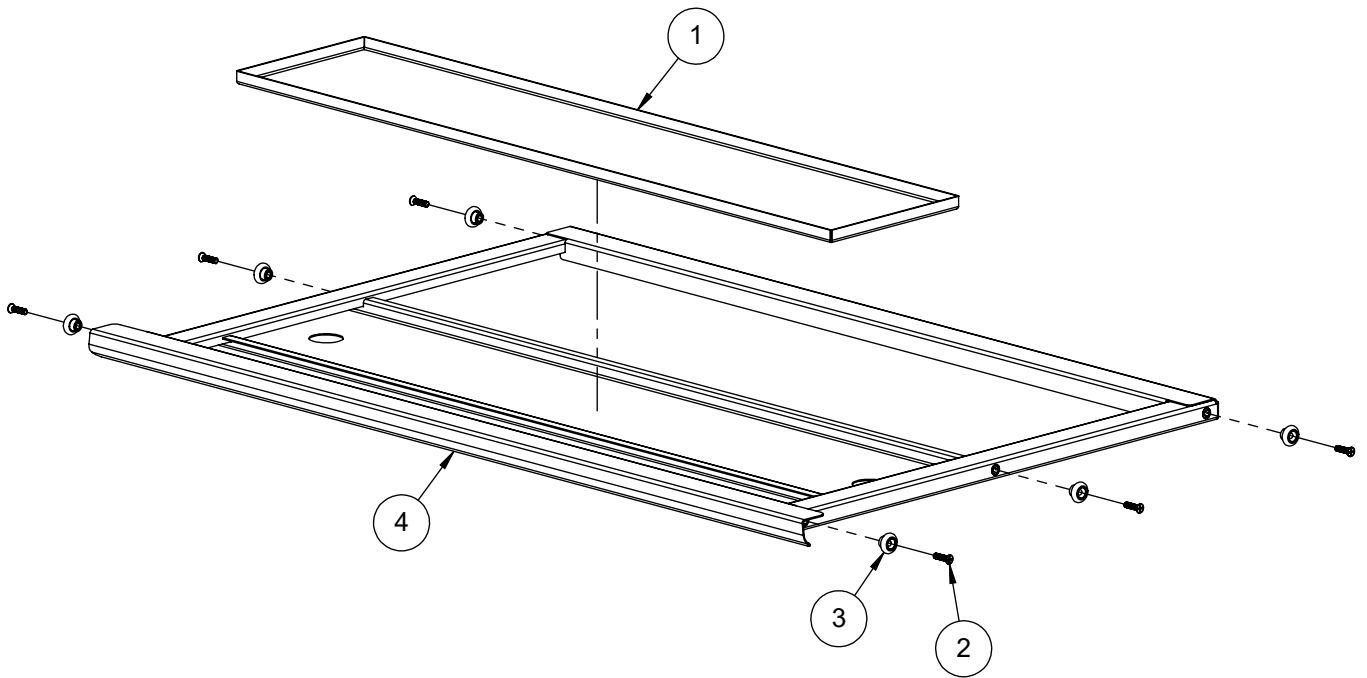
3 5 6 7 9 16

ITEM 2 IS USED FOR "U" BURNERS ONLY
THEREFORE, ALXE-42SZ ONLY HAS TWO.

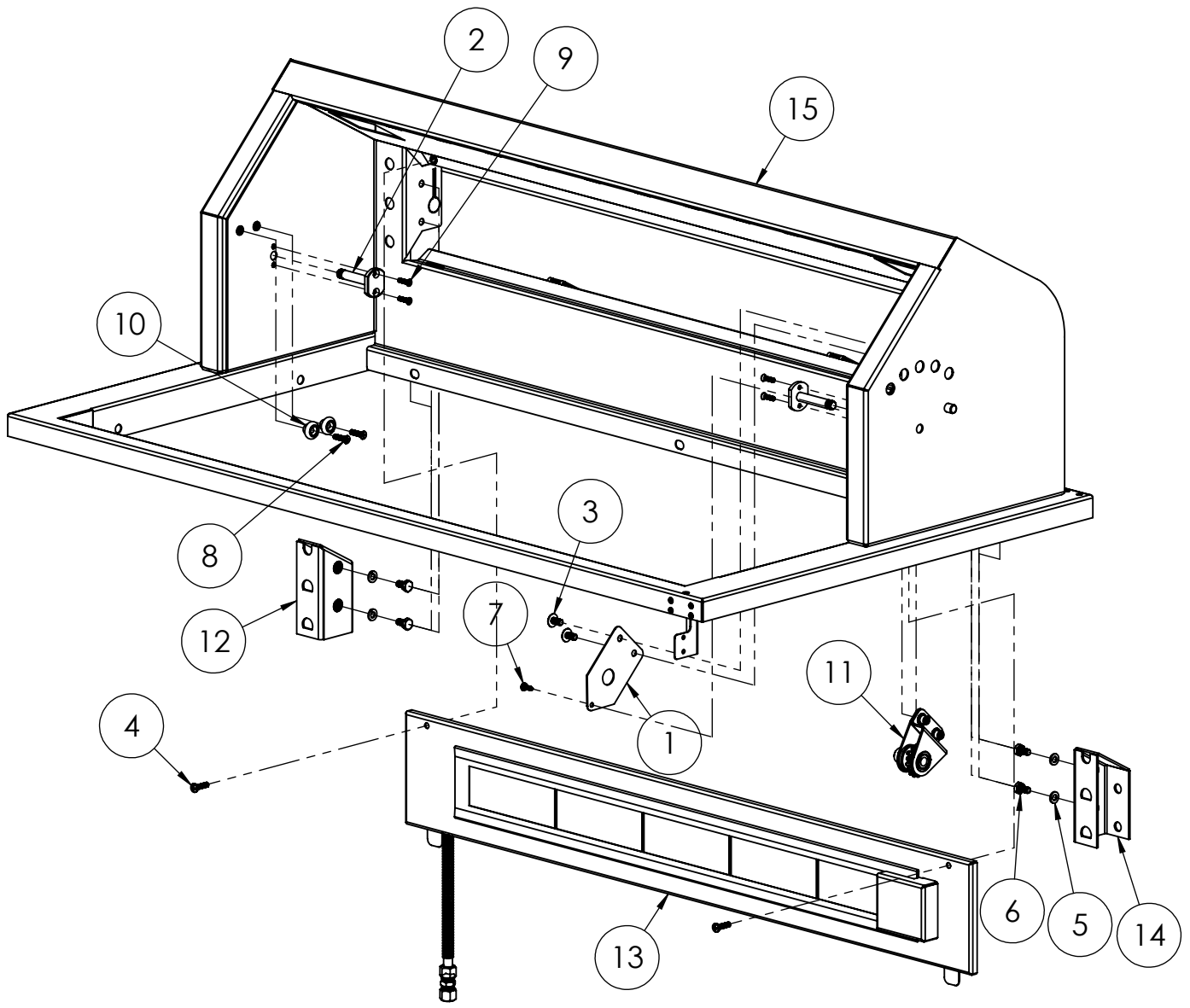


ITEM	PART NO.	DESCRIPTION	QTY
1	100-1065	SEARZONE™ OPENING FIREBOX COVER	1
2	100-1846	U-BURNER BRACKET	3
3	100-1847	SEAR-ZONE IGNITER BRACKET / SHIELD	1
4	100-1848	IGNITER SHIELD	3
5	100-1849	IGNITER HOLE COVER	1
6	100-1884	SEAR-ZONE™ BURNER BRACKET	1
7	100-1887	DUAL VALVE FIREWALL COVE	1
8	100-1888	SINGLE VALVE FIREWALL COVE	1
9	100-1890	FIREWALL OPENING COVER FOR SEARZONE™	1
10	100-1945	DUAL VALVE FIREWALL COVER FOR U-BURNER	1
11	100-1946	FIREWALL OPENING COVER FOR U-BURNER	1
12	130-2998	FIREWALL	1
13	130-3039	SMOKER BOX BODY	1
14	130-3040	SMOKER BOX TOP DIFFUSER	1
15	130-3041	FLUE	1
16	130-3042	SEAR ZONE BURNER SHIELD	1
17	130-3047	REAR COVER PLATE	1
18	200-0087	WASHER - 1/4" SPRING LOCK- REGULAR - SS	15
19	200-0089	BOLT - HEX HEAD 1/4-20 x 1/2" L	16
20	200-0111	SCREW 8-18 X 1/2 - SELF TAP - 410 SS	30
21	200-0303	1/4-20 HEX RIVNUT - OPEN ENDED	6
22	200-0367	RIVNUT, HEX 10-32 THREAD - OPEN END	2
23	510-0502	GREASE TRAY SUPPORT - RIGHT SIDE	1
24	510-0503	GREASE TRAY SUPPORT - LEFT SIDE	1
25	510-0520	FIREWALL SUPPORT BRACKET ASSEMBLY	2
26	510-0904	FRONT PANEL MNTG BRKT	2
27	510-0926	FIREBOX WELDED PARTS	1

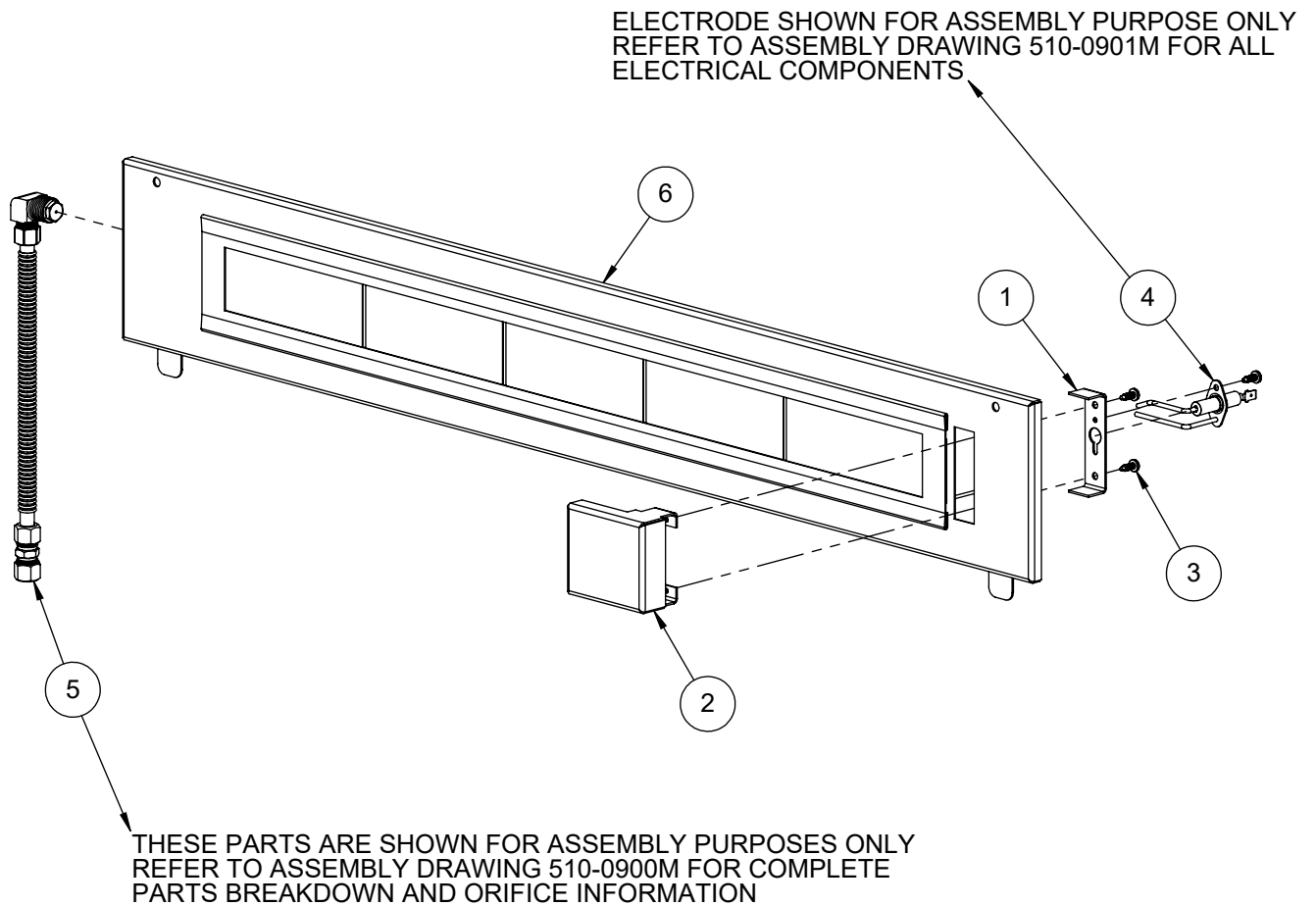
ITEM	PART NO.	DESCRIPTION	QTY
1	130-2992	DRIP TRAY INSERT	1
2	200-0148	SCREW 10-32 X 3/4" - FLAT HEAD - PHILLIPS - 82° - SS	6
3	290-0119	ROLLER WHEEL - STAINLESS STL - 3/4" Ø	6
4	510-0898	42 DRIP TRAY	1



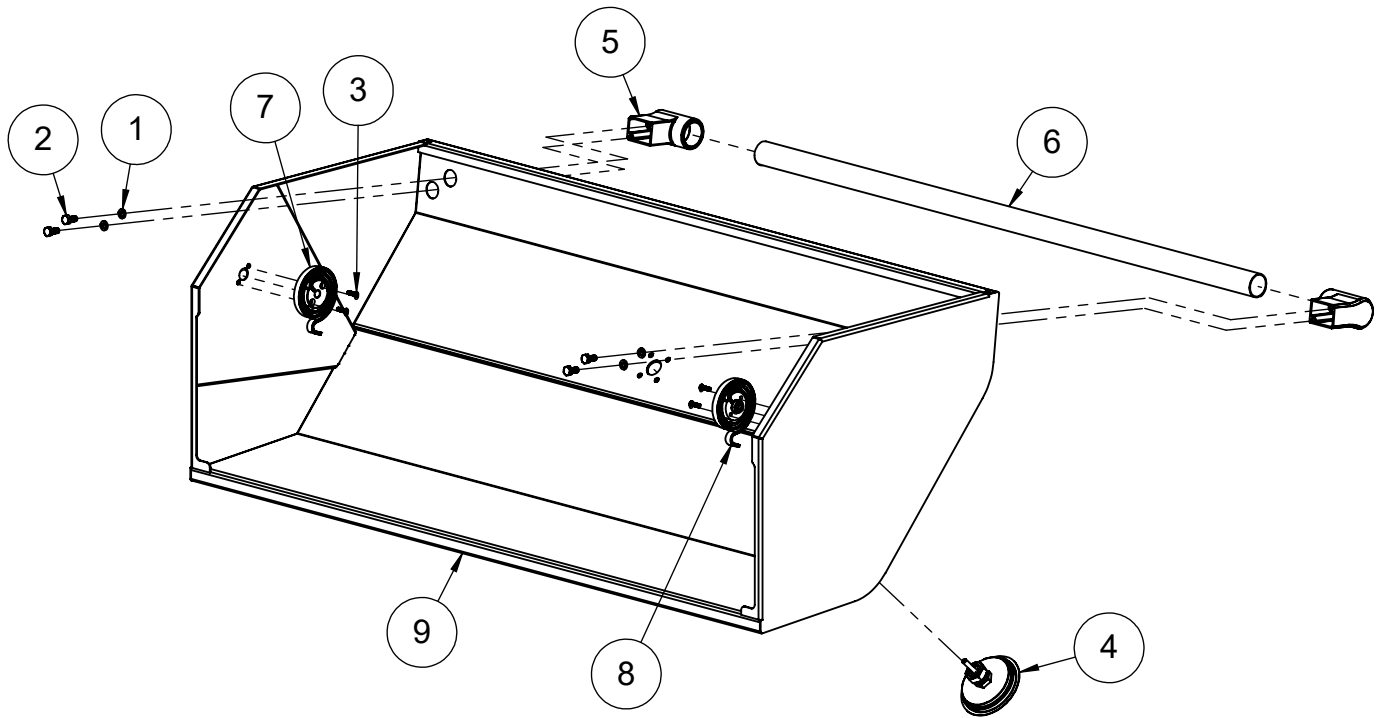
ITEM	PART NUMBER	DESCRIPTION	QTY
1	100-1092	ROTISSERIE GEAR COVER	1
2	130-2985	PIVOT PIN	2
3	200-0057	SCREW 1/4-20 X 1/2 - TRUSS HEAD - PHILLIPS	2
4	200-0062	10-32 X 3/4 - PAN HEAD - PHILLIPS SCREW	2
5	200-0087	WASHER - 1/4" SPRING LOCK- REGULAR - SS	4
6	200-0089	BOLT - HEX HEAD 1/4-20 x 1/2" L	4
7	200-0111	SCREW 8-18 X 1/2 - SELF TAP - 410 SS	1
8	200-0148	SCREW 10-32 X 3/4" - FLAT HEAD - PHILLIPS - 82° - SS	2
9	200-0361	SCREW 8-32 X 5/8" - FLAT HEAD 82° - PHILLIPS	4
10	290-0119	ROLLER WHEEL - STAINLESS STL - 3/4" Ø	2
11	510-0139	ROTISSERIE GEAR ASSEMBLY	1
12	510-0511	WARMING RACK BRACKET ASSEMBLY - LEFT SIDE	1
13	510-0513	ROTISSERIE PANEL ASSY	1
14	510-0519	WARMING RACK BRACKET ASSEMBLY- RIGHT SIDE	1
15	510-1170	REAR HOOD & RIM WELDED PARTS	1



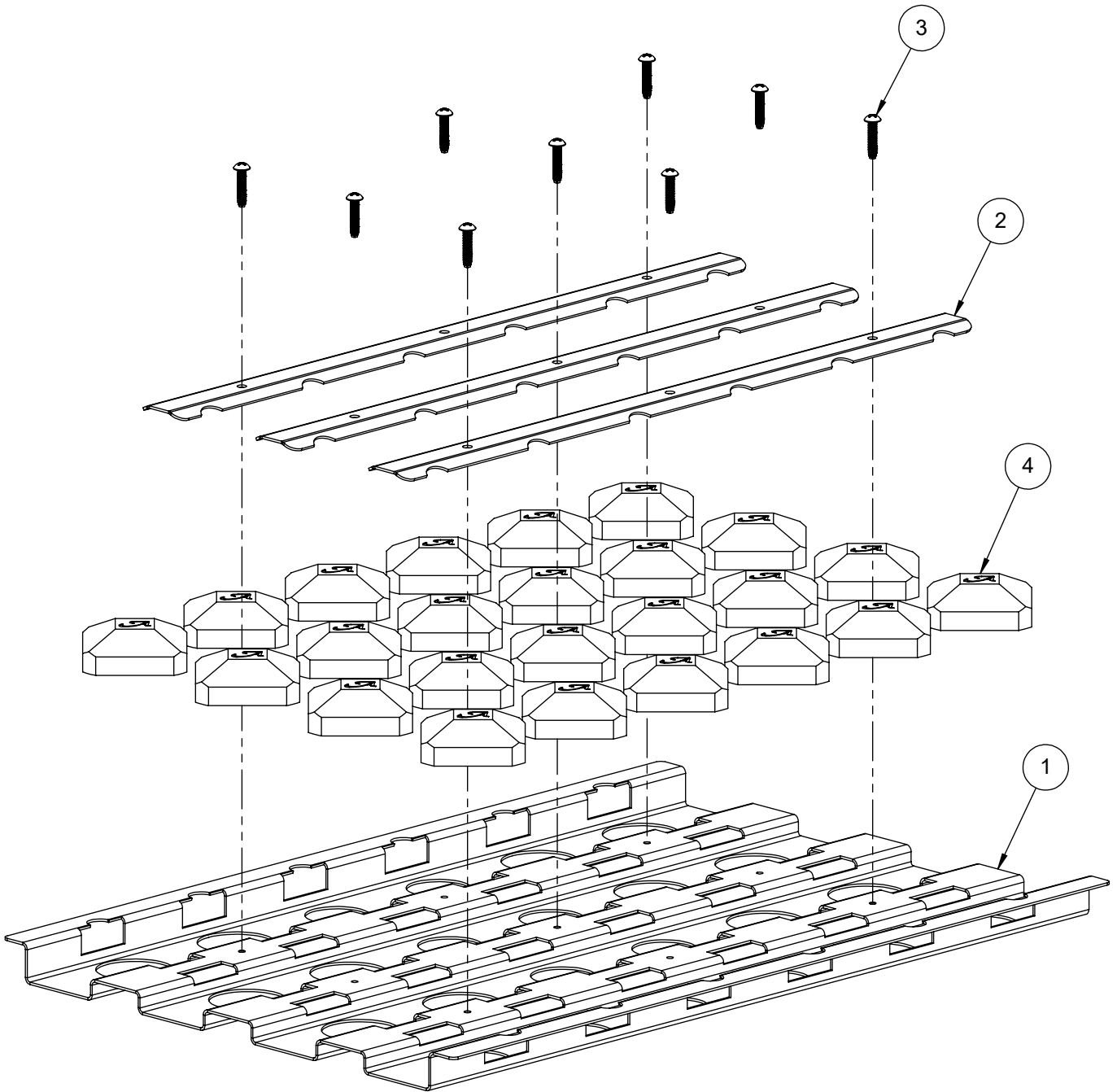
ITEM	PART NO.	DESCRIPTION	QTY
1	100-1226	ROTISSERIE ELECTRODE BRACKET	1
2	130-3059	ROTISSERIE ELECTRODE COVER	1
3	200-0111	SCREW 8-18 X 1/2 - SELF TAP - 410 SS	3
4	210-0240	ELECTRODE - DUAL TIP "L" SHAPE- ROTISSERIE	1
5	510-0469	ROTISSERIE PIPING SUBASSEMBLY	1
6	510-0512	ROTISSERIE PANEL - WELDED PARTS	1



ITEM	PART NUMBER	DESCRIPTION	QTY
1	200-0087	WASHER - 1/4" SPRING LOCK- REGULAR - SS	4
2	200-0219	HEX HD MACHINE SCREW 1/4-20 UNC X 5/8 LONG SS	4
3	200-0361	SCREW 8-32 X 5/8" - FLAT HEAD 82° - PHILLIPS	4
4	210-0571	ALFRESCO 3-1/8 DIA ALXE THERMOMETER	1
5	290-0400	ALFRESCO BBQ / RANGE HANDLE END CAP	2
6	290-0417	BARBECUE HOOD HANDLE	1
7	510-0924	SPIRAL TORSION SPRING LT	1
8	510-0925	SPIRAL TORSION SPRING RT	1
9	510-1163	FRONT HOOD (WELDED PARTS)	1



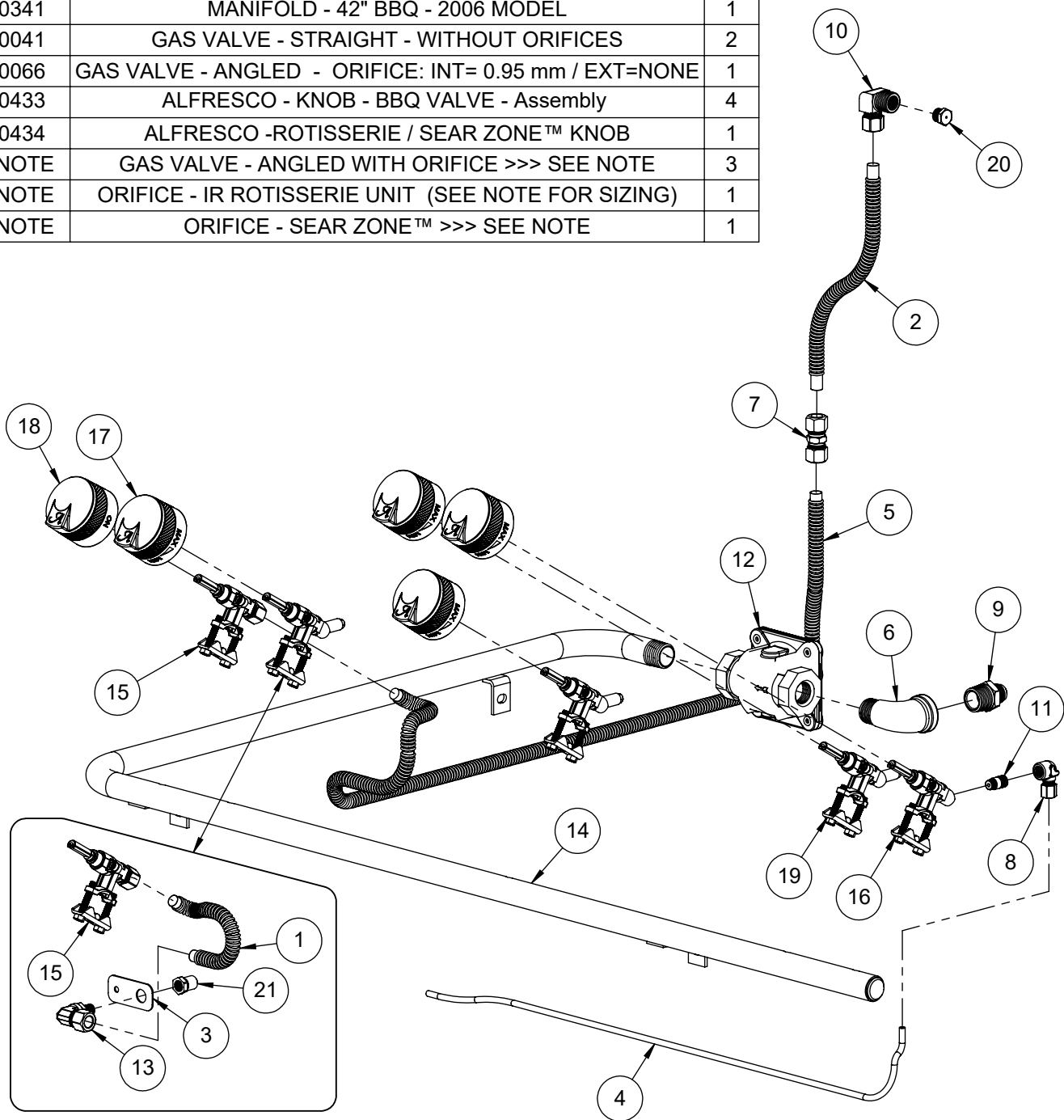
ITEM	PART NO.	DESCRIPTION	QTY
1	100-1894	BRIQUETTE TRAY BASE	1
2	100-1895	BRIQUETTE LOCK BAR	3
3	200-0312	SCREW 8-32 x 3/4"- PAN HEAD - PHILLIPS - THREAD CUTTER TYPE F	9
4	265-0005	BRIQUETTE - ALFRESCO CUSTOM	24



ITEM	PART NO.	DESCRIPTION	QTY
1	100-0917	SEAR ZONE™ GAS LINE (8"L x 3/8" Ø - SS. FLEX TUBE)	1
2	100-0917	ROTISSERIE GAS LINE EXTENSION - 3/8"Ø X 8" - SS	1
3	100-1067	SMOKER & SZ™ ORIFICE BRACKET	1
4	100-1948	ALX2-42 SMOKER GAS LINE	1
5	100-1949	ROTISSERIE GAS LINE (36"L x 3/8" Ø - SS. FLEX TUBE)	1
6	200-0274	ELBOW 90° - CAST IRON - 1/2" FPT x 1/2" MPT	1
7	220-0151	COUPLING 3/8" x 3/8" - COMPRESSION - BRASS	1
8	220-0273	ELBOW 90° - 1/8" FPT x 3/16" COMP	1
9	220-0275	NIPPLE - 1/2" MPT X 3/8" OD FL	1
10	220-0276	ELBOW 3/8" MPT x 1/8" FPT x 3/8" COMP	1
11	220-0277	NIPPLE 1/8"MPT x 1/16"MPT	1
12	220-0280	REGULATOR GAS - MAXITROL RV48CL440002	1
13	220-0293	ELBOW 3/8-27 UNS x 3/8" COMP	1
14	220-0341	MANIFOLD - 42" BBQ - 2006 MODEL	1
15	290-0041	GAS VALVE - STRAIGHT - WITHOUT ORIFICES	2
16	290-0066	GAS VALVE - ANGLED - ORIFICE: INT= 0.95 mm / EXT=NONE	1
17	290-0433	ALFRESCO - KNOB - BBQ VALVE - Assembly	4
18	290-0434	ALFRESCO -ROTISSERIE / SEAR ZONE™ KNOB	1
19	SEE NOTE	GAS VALVE - ANGLED WITH ORIFICE >>> SEE NOTE	3
20	SEE NOTE	ORIFICE - IR ROTISSERIE UNIT (SEE NOTE FOR SIZING)	1
21	SEE NOTE	ORIFICE - SEAR ZONE™ >>> SEE NOTE	1

NOTE: ORIFICE OR VALVE ASSEMBLY TO CHANGE ACCORDING TO FUEL SUPPLY: NATURAL GAS OR LIQUID PROPANE

ITEM	NG GAS PART #	LP GAS PART #
19	290-0310	290-0310
20	220-0285	220-0285
21	220-0289	220-0289



Alfresco
 SUPERIOR EQUIPMENT SOLUTIONS
 7039 EAST SLAUSON AVENUE
 COMMERCE, CA. 90040

THE INFORMATION CONTAINED IN THIS DRAWING IS THE SOLE PROPERTY OF SUPERIOR EQUIPMENT SOLUTIONS INC. ANY REPRODUCTION IN PART OR AS A WHOLE WITHOUT WRITTEN PERMISSION FROM SUPERIOR EQUIPMENT SOLUTIONS, INC. IS PROHIBITED.

DRAWN BY: N SILCOCK
CREATED: 1/27/2016 9:23:43 AM

PROJECT TITLE:
ALXE-42 AND 42SZ

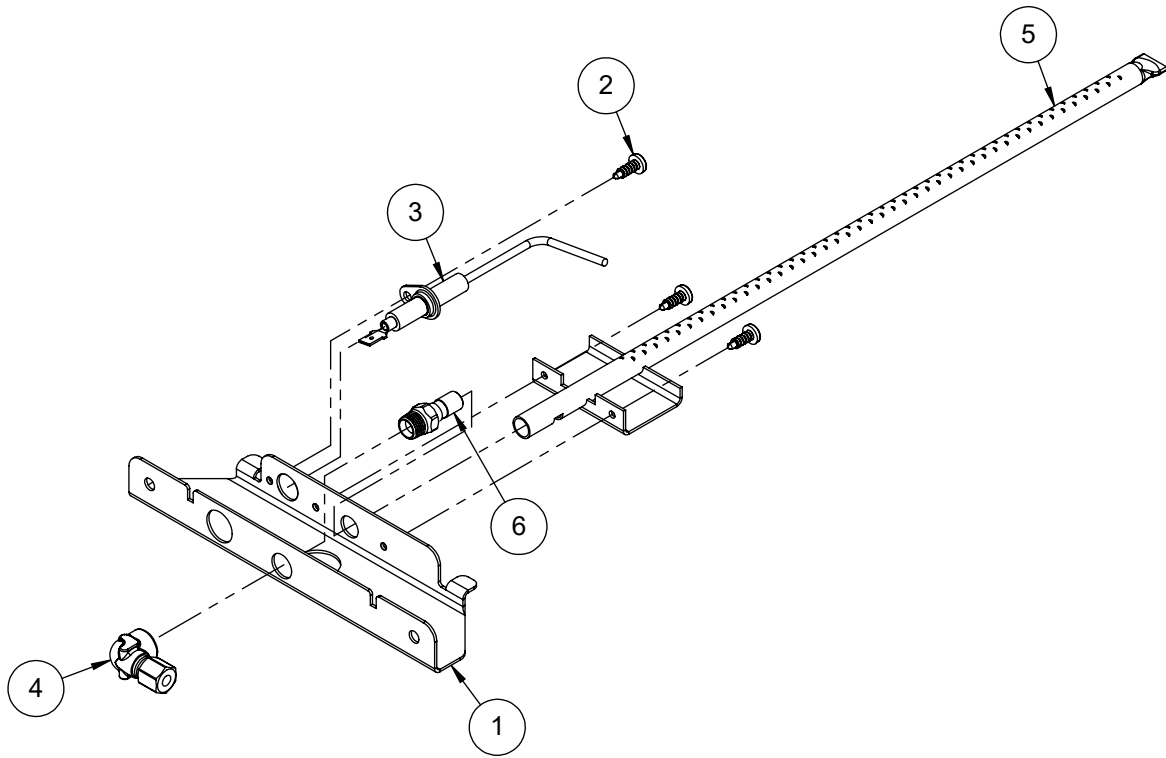
DRAWING TITLE:
GAS MANIFOLD ASSEMBLY

DRAWING NO.: 510-090
SHEET 1 OF 1

ITEM	PART NUMBER	DESCRIPTION	QTY
1	130-3019	MOUNTING BRACKET	1
2	200-0111	SCREW 8-18 X 1/2 - SELF TAP - 410 SS	3
3	210-0189	ELECTRODE - "L" SHAPED - MAIN BURNER	1
4	220-0273	ELBOW 90° - 1/8" FPT x 3/16" COMP	1
5	510-0504	SMOKER BURNER ASSEMBLY	1
6	SEE NOTE	ORIFICE - SMOKER UNIT >>> SEE NOTE	1

NOTE: ORIFICE OR VALVE ASSEMBLY TO CHANGE ACCORDING TO FUEL SUPPLY: NATURAL GAS OR LIQUID PROPANE

ITEM	NG GAS	LP GAS
	PART #	PART #
6	220-0468	220-03



Alfresco
 SUPERIOR EQUIPMENT SOLUTIONS
 7039 EAST SLAUSON AVENUE
 COMMERCE, CA. 90040

THE INFORMATION CONTAINED IN THIS DRAWING IS THE SOLE PROPERTY OF SUPERIOR EQUIPMENT SOLUTIONS, INC. ANY REPRODUCTION IN PART OR AS A WHOLE WITHOUT WRITTEN PERMISSION FROM SUPERIOR EQUIPMENT SOLUTIONS, INC. IS PROHIBITED.

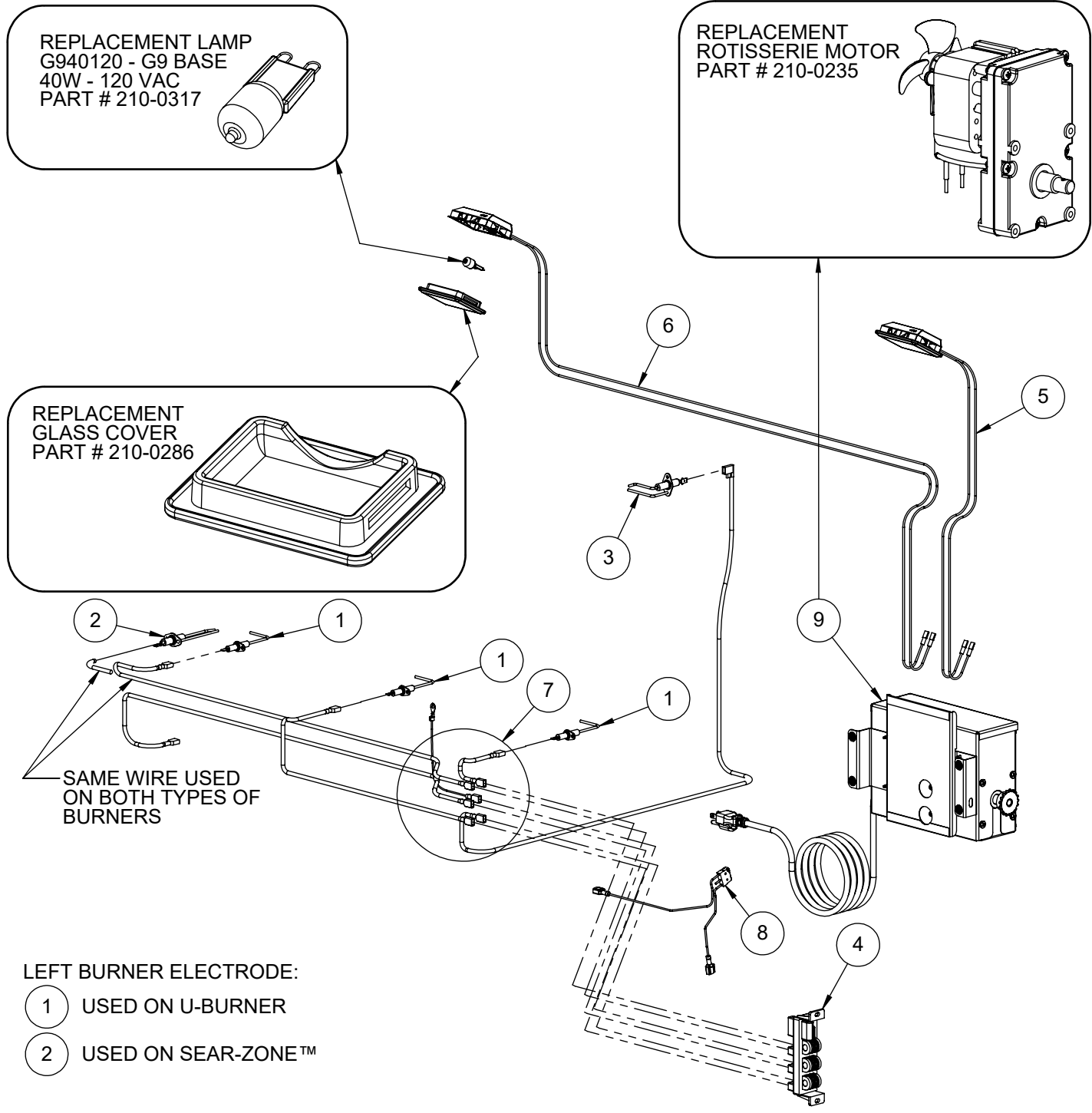
DRAWN BY: N SILCOCK
CREATED: 2/29/2016 12:42:41 PM

PROJECT TITLE:
ALXE BARBECUES

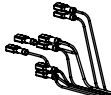
DRAWING TITLE:
SMOKER BURNER ASSEMBLY

DRAWING NO.: 510-091
 SHEET 1 OF 1

ITEM	PART NUMBER	DESCRIPTION	QTY
1	210-0189	ELECTRODE - "L" SHAPED - U-BURNER / SMOKER	3
2	210-0192	ELECTRODE - DUAL TIP - SEARZONE™	1
3	210-0240	ELECTRODE - DUAL TIP "L" SHAPE- ROTISSERIE	1
4	210-0466	IGNITER MODULE (6 POINTS)	1
5	210-0509	LAMP ASSEMBLY (32" WIRE LENGTH)	1
6	210-0510	LAMP ASSEMBLY (56" WIRE LENGTH)	1
7	210-0521	IGNITER WIRE KIT	1
8	210-0626	PERIMETER LIGHT SWITCH	1
9	510-0514	ROTISSERIE MOTOR BOX ASSEMBLY	1



CONNECTIONS: NEUTRAL TO TRANSFORMER,
POWER TO TRANSFORMER AND IGNITER, LIGHTS
& ROTISSERIE SWITCHS. FRONT LEFT.

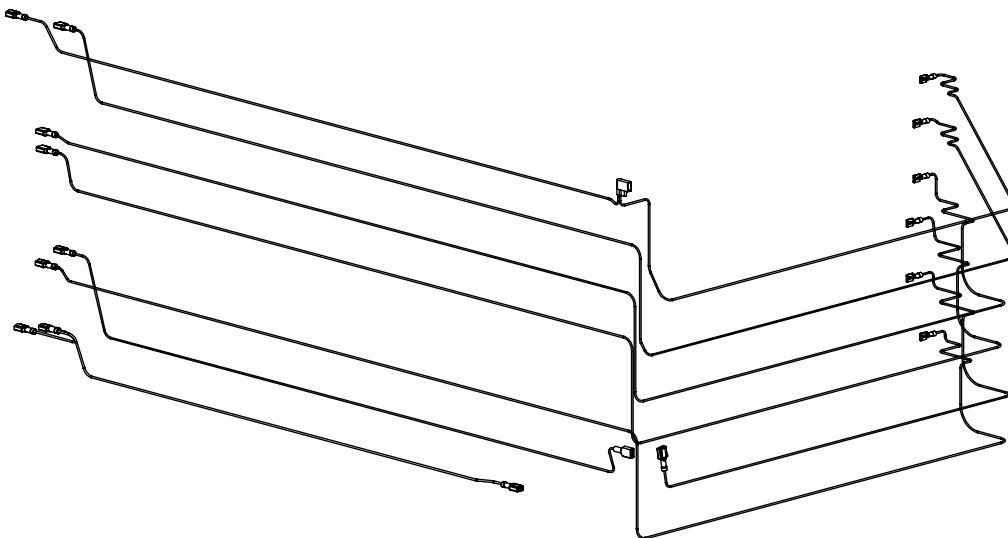


CONNECTIONS IN
MOTOR BOX AT
REAR RIGHT.



CONNECTIONS: IGNITER NEUTRAL & POWER,
PERIMETER LIGHT SWITCH NEUTRAL & POWER,
AND POWER TO TRANSFORMER. FRONT RIGHT.

WIRING HARNESS PART NUMBER 210-0614



EXPLODED VIEW OF WIRING HARNESS

NOTE: INDIVIDUAL WIRES ARE NOT SOLD SEPARATELY

Alfresco[™]

Open Air Culinary Systems

***ALXE-42 PARTS MANUAL
ALFRESCO[™] GOURMET GRILLS
ALL RIGHTS RESERVED 02/2018***