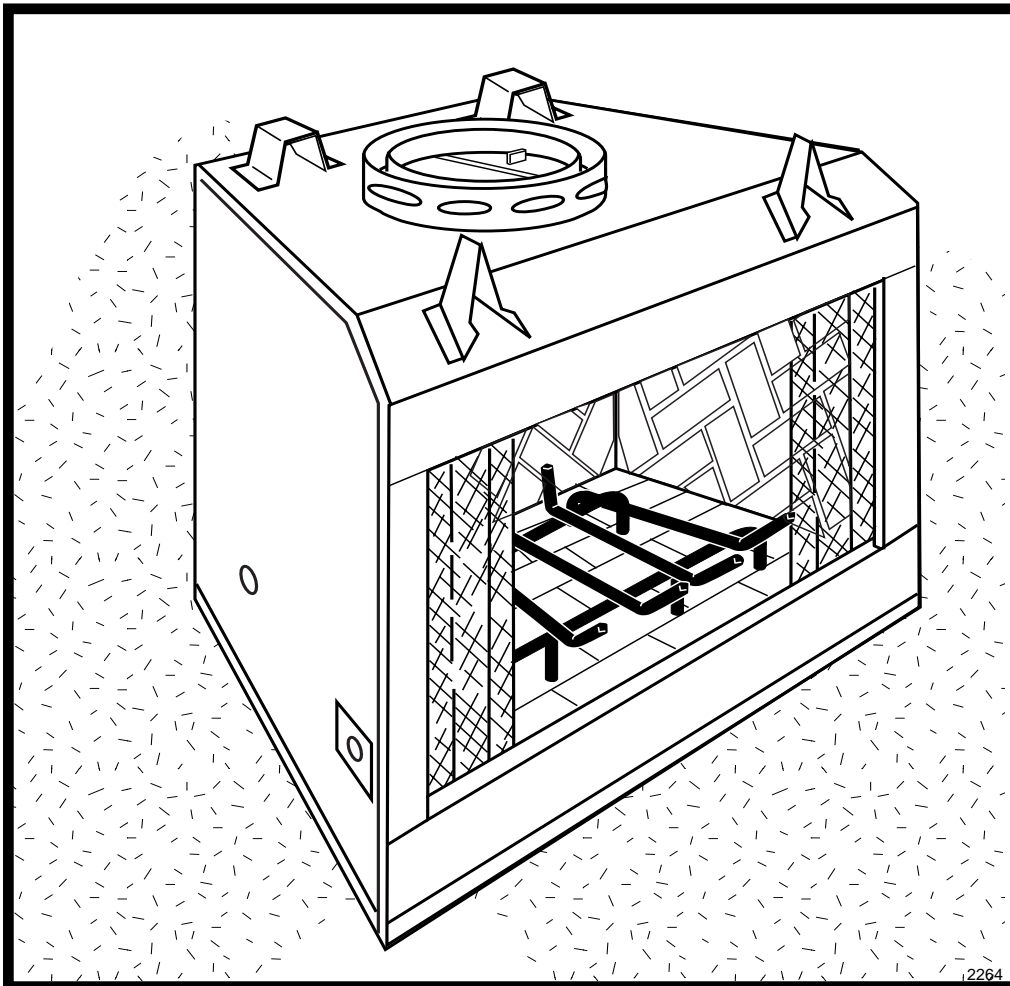


# **MAJESTIC** **VERMONT** *Castings*



Model:  
**ODSHR42**



Underwriter's Laboratories  
Report No. MH20546

## **ODSHR Series** **Outdoor Woodburning Fireplace** Homeowner's Installation & Operating Manual

**DO NOT DISCARD THIS MANUAL: Retain for future use.**

# Safety Information

**PLEASE READ THIS MANUAL BEFORE INSTALLING AND USING FIREPLACE.**

**IMPORTANT:** Read all instructions and warnings carefully before starting installation. Failure to follow these instructions may result in a possible fire hazard and will void the warranty.

**NOTE:** This unit is intended for outdoor use in the United States using CF11 or SK chimney systems. The unit may be installed indoors, in the U.S. *only*, using CF11 chimney system *only*. This unit is intended for outdoor use in Canada using the SK chimney system *only*.

## Description

The ODSHR Series (Super Hearth) fireplace is a clean-faced, solid fuel, woodburning fireplace.

## Precautions

Vermont Castings, Majestic Products fireplaces and component parts have been highly tested and will operate safely when installed in accordance with instructions provided in this manual. Carefully read and understand all instructions **before** beginning installation.

If you notice any damage to fireplace or component parts, immediately report damage to your Vermont Castings, Majestic Products dealer.

Only use Vermont Castings, Majestic Products components or the warranty will be voided and a fire hazard may be created.

Vermont Castings, Majestic Products warranty will be voided by and Vermont Castings, Majestic Products disclaims any responsibility for the following actions:

- **Installation of any damaged fireplace or chimney component;**
- **Modification of fireplace, chimney assembly or any component parts thereof; (except for chase flashings as detailed in Vermont Castings, Majestic Products Chimney Top installation instructions).**
- **Installation other than as instructed by Vermont Castings, Majestic Products; or**
- **Installation and/of use of any component part not manufactured or approved by Vermont Castings, Majestic Products in combination or assembly with a Vermont Castings, Majestic Products fireplace system, notwithstanding any independent testing laboratory or other third party approval of such component parts or accessory.**

Any such action may possibly cause a fire hazard.

Consult local building codes to ensure that you are in compliance **before** installing the fireplace.

Fireplaces must be vented to the out-of-doors.

**WARNING:** To avoid the risk of damaging fireplace materials and increasing the risk of spreading a fire, do not use the fireplace to cook or warm food.

**Do not obstruct or modify air inlets/outlets in any manner.**

**Do not install combustible materials on any of the fireplace surround.**

**Burn only solid wood fuel or gas logs.**

**Do not install a solid fuel burning insert or other products not specified for use with this fireplace.**

**These fireplaces are not approved for installation in mobile homes.**

**Proposition 65 Warning:** Fuels used in gas, woodburning or oil fired appliances, and the products of combustion of such fuels, contain chemicals known to the State of California to cause cancer, birth defects and other reproductive harm.

California Health & Safety Code Sec. 25249.6

## Drafts

The fireplace should not be located in areas that create drafts (ie: frequently opened doors and central heating air inlets/outlets) that hamper the normal flow of air into the fire.

## Gas Logs

If you plan to install a gas log, the gas line should be installed before framing the fireplace. The gas line must be installed by a certified gas line installer.

**ODSHR42  
Listed**

**UL / ULc127  
Standard for Factory Built Fireplaces**

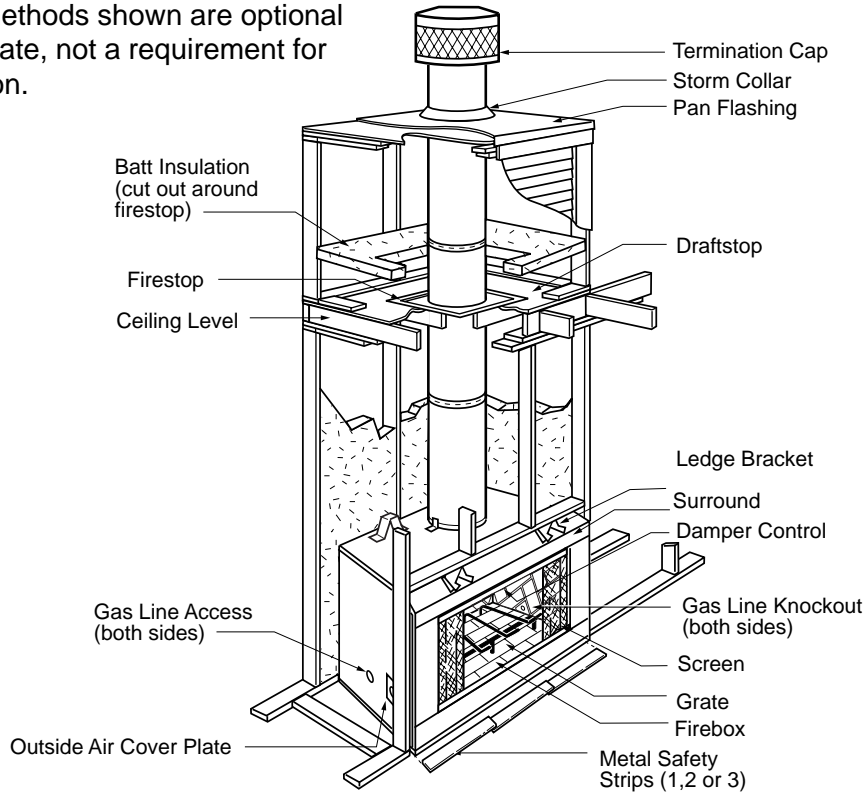
## Table Of Contents

Safety Information . . . . .	2
Specifications and Framing . . . . .	3
Parts Identification . . . . .	4
Chimney Requirements . . . . .	5
Planning Information . . . . .	6
Installation . . . . .	8
Replacement Parts . . . . .	19
Accessories . . . . .	20



## Chase Installation

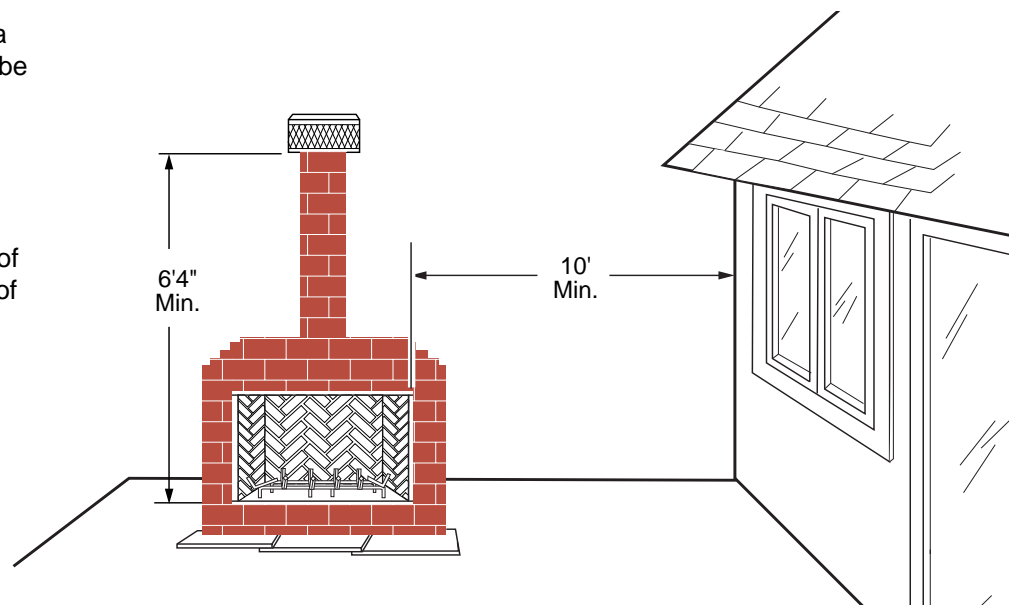
Insulation methods shown are optional for cold climate, not a requirement for unit operation.



FP554A

Fig. 2 Fireplace and chase parts identification.

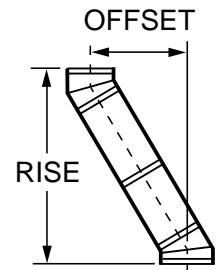
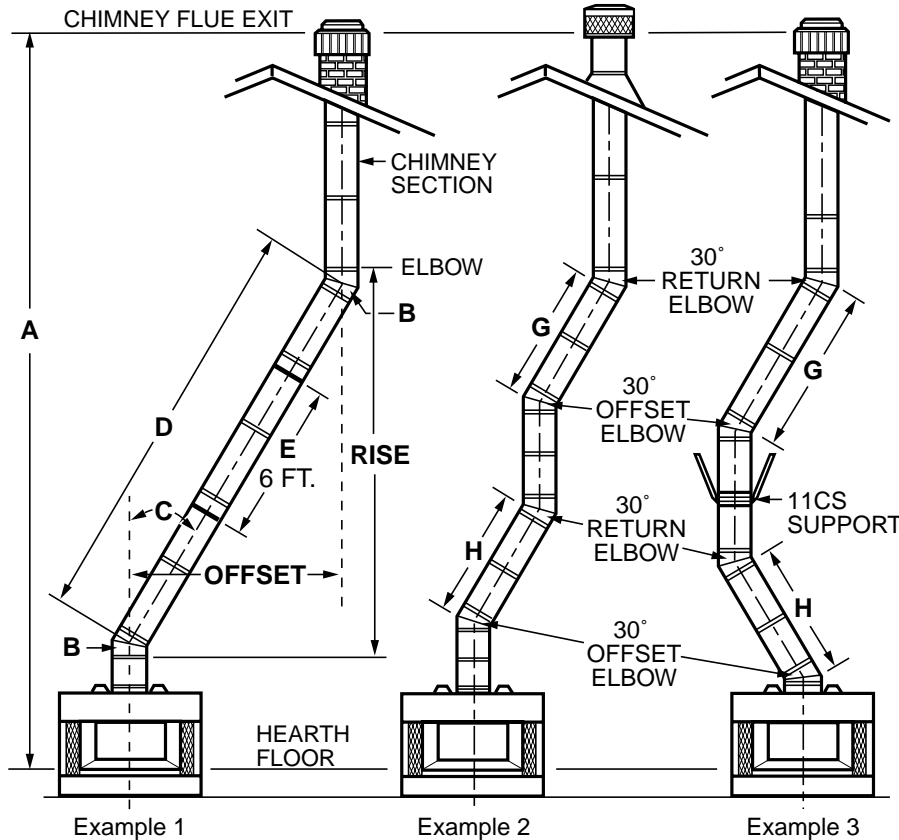
**NOTE:** If the fireplace is a freestanding unit, it must be located a minimum of 10' from the opening of the firebox to a combustible structure. A minimum height of 6'- 4" measured from the base of the firebox to the bottom of the termination cap is permitted.



FP1001

Fig. 3 Freestanding installation.

## Chimney Requirements - Offset Installations



IWF282

### 30° Elbow Offsets

	1'	1½'	3'	4'	Chimney Support	Offset	Rise
	0	0	0	0	0	3"	11"
	1	0	0	0	0	8¼"	20"
	0	1	0	0	0	11¼"	25¼"
	2	0	0	0	0	13½"	29¼"
	1	1	0	0	0	16½"	34¼"
	0	0	1	0	0	20¼"	40¾"
	2	1	0	0	0	21¾"	43½"
	0	0	0	1	0	26¼"	51¼"
	0	1	1	0	0	28½"	55¼"
	1	0	0	1	0	31½"	60¼"
	0	1	0	1	0	34½"	65½"
	0	0	2	0	0	37½"	70¾"
	1	1	0	1	1	41½"	77¾"
	0	0	1	1	1	45"	83¾"
	0	1	2	0	1	47¼"	87½"
	0	0	0	2	1	51"	94"
	0	1	1	1	1	53¼"	98"
	0	0	3	0	1	56¼"	103¼"
	0	1	0	2	1	59¼"	108½"
	0	0	2	1	1	62¼"	113½"
	0	1	3	0	1	64½"	117½"
	0	0	1	2	1	68¼"	124"
	0	1	2	1	1	70½"	128"
	0	0	0	3	1	74¼"	134½"
	0	1	1	2	2	78"	140¾"
	0	0	3	1	2	81"	146"
	0	1	0	3	2	84"	151¼"
	0	0	2	2	2	87"	156½"
	0	1	3	1	2	89¼"	160¼"
	0	0	1	3	2	93"	166¾"
	0	1	2	2	2	95¼"	170¾"
	0	0	0	4	2	99¼"	177¾"
	0	1	1	3	2	101¼"	181¾"
	0	0	3	2	2	104¼"	186¼"
	0	1	0	4	2	107¼"	191½"
	0	0	2	3	2	110¼"	196¾"
	0	1	3	2	3	114"	203¼"
	0	0	1	4	3	117¾"	209¾"
	0	1	2	3	3	120"	213½"
	0	0	0	5	3	123¾"	220"

**Notes:** G + H cannot exceed 20 feet.  
 \*11CF Chimney airspace clearance = 2" minimum.

FP269

### Illustration Key

The following safety rules apply to offset installations (letters correspond with illustration above):

**A.** Height of the chimney is measured from the hearth to the chimney exit.

	<u>ODSHR42</u>
Maximum:	90'
Minimum:	
Without Elbows	14'6"
With 2 Elbows*	15'6"
With 4 Elbows*	21'0"

**B.** Do not use more than 4 elbows per chimney.

Attach the straps of the return (top) elbow to a structural framing member.

The offset (first) elbow of any pair does not have straps.

**C.** The chimney cannot be more than 30° from the vertical plane in any installation.

**D.** The maximum length of the angled run of the **total** chimney system is 20 feet. (G plus H cannot exceed 20 feet.)

**E.** A chimney support (Model 11CS) is required every 6 feet of angled run of chimney. Chimney supports are required for every 30 feet and 60 feet chimney height above the hearth.

Determine the offset distance of your chimney arrangement from the centerline of the fireplace to the centerline of the chimney where it is to pass through the first ceiling.

**Note:** This offset distance may not be your full offset distance. See Examples 2 and 3.

Fig. 4 Chimney system requirements.

# Planning Information

Preplanning an installation is very important to ensure safety and to save time and money. An installer must predetermine where a fireplace will be set and how the chimney system will be run.

## Mounting the Fireplace

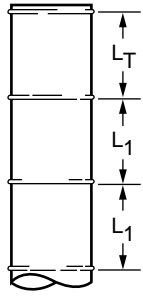
A fireplace may only be mounted on the following surfaces:

1. A flat combustible surface.
2. A raised wooden platform.
3. A concrete block or other solid object placed beneath each of the four (4) corners of the fireplace.

The fireplace **must** be spaced 3/4 inch from a combustible back wall and 3/4 inch from a combustible side wall or support. (Fig. 18, Page 13)

## Planning the Chimney Run

Determine how the chimney will be run, length of run and chimney components required to complete the job. (Fig. 4) **Never** install a chimney below minimum heights.



11CF Chimney Model No.	Total Length (L <sub>T</sub> )	Installed Length (L <sub>1</sub> )
11CF1	11½"	10½"
11CF18	17½"	16½"
11CF3	35½"	34½"
11CF4	47½"	46½"

FP288b

Fig. 5 Installed lengths of chimney sections.

In planning a chimney system, it is important to know:

1. The height of a chimney is measured from the hearth to the exit point on the termination.
2. A chimney cannot be offset more than 30 degrees from a vertical plane.
3. A chimney may run straight up or it may be necessary to offset it to avoid obstructions.
4. The maximum length of an angled run (total chimney system) is 20 feet.
5. No more than 2 offsets (4 total 30° elbows in) per fireplace may be used.
6. A guy wire stabilizer is required for chimneys extending more than 6 feet above a roof line.

## The Ten Foot Rule

Major U.S. building codes specify a minimum chimney height above the roof top. The "Ten Foot Rule" is a fire safety rule and not a draft rule. To ensure proper draft, it is recommended that you always meet or exceed the "Ten Foot Rule," especially when installing a termination on a high pitch roof. (Fig. 6)

The key points of the "Ten Foot Rule" are:

1. If the horizontal distance from the center of the chimney to the peak of the roof is 10 feet or less, the top of the chimney must be at least 2 feet above the peak of the roof, but never less than 3 feet in height above the highest point where it passes through the roof.
2. If a horizontal distance from the center of the chimney to the peak of the roof is more than 10 feet, a chimney height reference point is established that is on the surface of the roof a distance of 10 feet from the center of the chimney in a horizontal plane. The top of the chimney must be at least 2 feet above the reference point, but never less than 3 feet in height above the highest point where it passes through the roof.

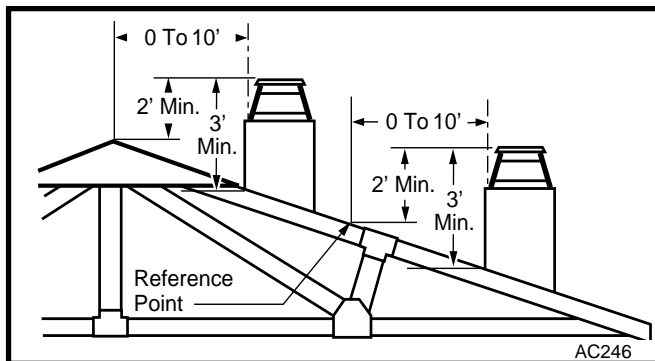


Fig. 6 Ten Foot Rule illustration.

## Chimney Supports

The chimney system is supported by the fireplace for vertical chimney heights less than 30 feet above the hearth. Chimney supports are required if the vertical height exceeds 30 feet with 11CF chimneys. Locate chimney supports at ceiling holes or other structural framing at 30 foot heights. Spacing between chimney supports **must not** exceed 30 feet. Use Chimney Support Model 11CS. **(Note: The 11CS can not be mounted directly to the fireplace.)** Support provided by elbow straps fulfills the support requirement only if they are spaced as previously described. (A chimney support is 2½" long when installed.)

Angled chimney runs require a support every six (6) feet in addition to the elbow straps. Chimney supports are used for this function. (Fig. 7)

## Chase Installation

A chase is a vertical box-like structure which encloses the fireplace and/or chimney. Chases are typically built on the outside of the house with fireplace opening cut into the outer wall of a room. (Fig. 2, Page 4)

If you need help in determining fireplace location or how the chimney system should be run, contact your Vermont Castings, Majestic Products dealer for assistance.

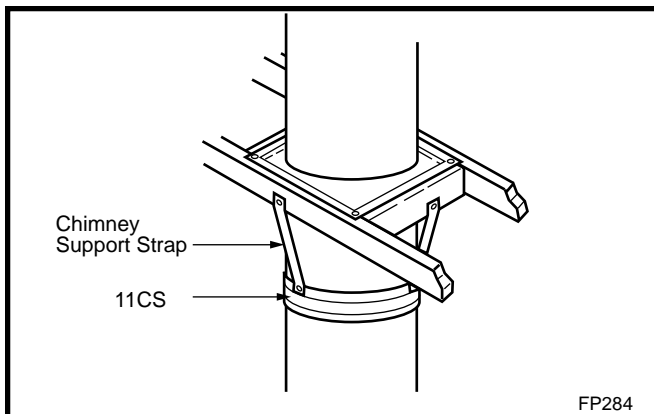


Fig. 7 Chimney support installation

# Installation

## 1. Insulating Fireplace Enclosure for Cold Climates

If you live in a cold climate, it is not required but **highly recommended** that you insulate fireplace enclosure to eliminate cold air penetration as much as possible.

Insulate base of fireplace with a non-combustible insulation rated for a minimum of 300° F. Insulating is **very important** for outside wall installations over a concrete slab. If fireplace is installed on a platform, insulation should be placed on top of the platform **before** fireplace is set. (Fig. 8)

When a fireplace is installed in a chase or on an outside wall, enclosure should be treated like any outside wall in a home. Insulation should be installed on the inside wall as well as the outside wall(s). In a chase, it is also a good idea to install a firestop at the first ceiling level above the fireplace and enclose the chase with sheeting material. Insulation may then be installed above sheeting material to assure the space around the fireplace is totally protected. (Fig. 2)

When installing the chimney, **DO NOT** caulk between outer pipe and firestop. It is vital that some air be allowed to flow through this very thin gap.

**CAUTION:** WHEN INSTALLING A FIREPLACE IN AN INSULATED ENCLOSURE, BE SURE ALL REQUIRED AIR SPACES ARE MAINTAINED. (Fig. 17, Page 13)

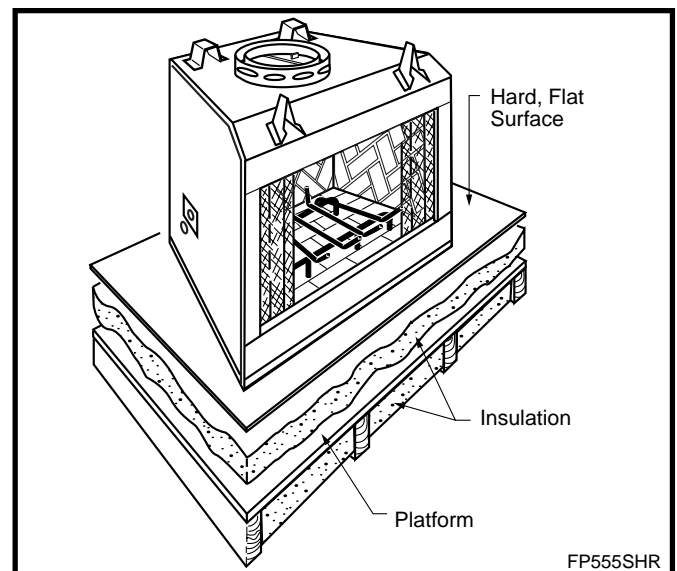


Fig. 8 Insulating between platform and fireplace.

## 2. Framing

Framing can be constructed before or after the fireplace is set in place, however, most installers build the frame before setting the fireplace.

Frame fireplace with 2 x 4 lumber or heavier materials. Refer to framing dimensions in Figures 1, 2 or 3 for basic fireplace specifications.

**Note:** Framing should be positioned to accommodate wall covering and fireplace facing material.

## 3. Chimney Set-Up

Since you have already preplanned the chimney run, you should know exactly how the installation is to be accomplished — how much pipe is required, the number of elbows, if any, and type of termination to be used.

**CAUTION:** REPORT TO YOUR DEALER ANY PARTS DAMAGED IN SHIPMENT, SPECIFICALLY CHECK THE END CONNECTION OF CHIMNEY SECTIONS AND ELBOWS.

**Note:** ODSHR Series Fireplaces must use Vermont Castings, Majestic Products model 11CF, 11 inch, 2 wall chimney systems. The installation procedure described in this manual applies **only** to the 11CF system, chimney components may not be mixed.

### Straight-Up Chimney Installation

To mark the centerline of the flue, put the fireplace in final position and measure out from the wall  $11\frac{1}{8}$ ". Mark a spot on the ceiling directly above the fireplace. Draw a line parallel to the back wall through this mark. (Fig. 9)

Using a plumb bob positioned directly over center point of fireplace flue collar, mark the ceiling to establish the chimney center point. (Fig. 9)

### Offset Installation

In order to clear an obstruction, it may be necessary to offset chimney from vertical. This is accomplished by using Majestic elbows. Use the *30° Offset Elbow* table on Page 5 to determine proper offset and parts required.

Each offset requires two (2) elbows. The second elbow is equipped with support straps. It is very important to install the second elbow in each offset as close to the ceiling or support as possible so the elbow straps can be secured to framing members to help support the weight of the chimney.

Determine offset distance of your chimney arrangement from centerline of fireplace to centerline of chimney where it is to pass through ceiling.

Locate center point of the chimney on ceiling as though a straight up chimney arrangement is to be used. Measure your offset dimension from straight up chimney center point on ceiling.

### Ceiling Chimney Hole/ Possible Obstructions

The size of the hole in ceiling will vary with the angle at which the chimney passes through ceiling.

Drive a nail up through ceiling at marked chimney center point. Go to floor above and see where hole will be cut. Check to see where existing ceiling joists and other possible obstructions are located...i.e. wiring, plumbing etc... If necessary, re-position chimney and/or fireplace to avoid obstructions.

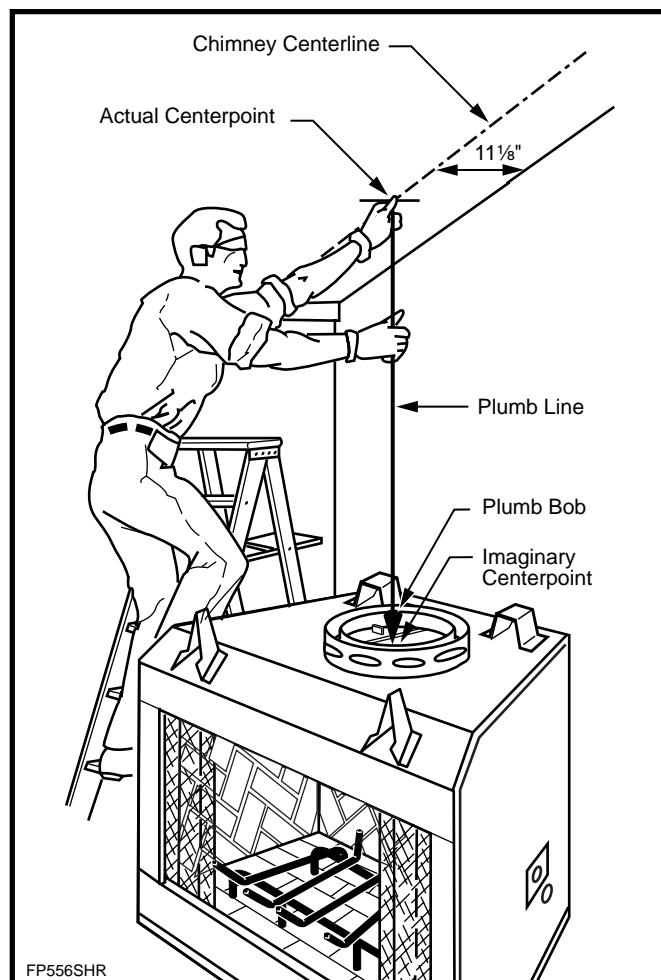


Fig. 9 Locate centerline of chimney with plumb line.



### Cutting the Hole

Cover fireplace collar opening and cut proper sized chimney hole in chimney. (Fig. 10 & 11)

### Framing the Ceiling Hole

Frame the ceiling chimney hole as shown in Figure 11. It is good practice to use framing lumber that is the same size as the ceiling joists; this is a requirement at attic level.

The following table gives firestop spacer model numbers:

#### CHIMNEY HOLE SIZE

FP548b

Size of Chimney	Angle of Chimney at Ceiling	
	Vertical	30°
11" CF 2-Wall	FS2A 17 1/2" x 17 1/2"	FS6A 17 7/8" x 29 5/8"

Fig. 10 Ceiling chimney hole size necessary for installing firestop spacer.

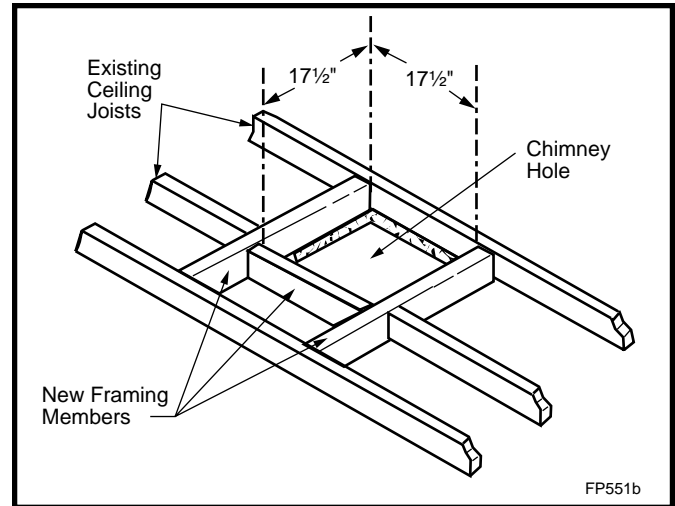


Fig. 11 Typical frame for ceiling chimney hole.

The **inside dimension** of the frame **must be** the same as the hole size selected from Figure 10 in order to provide the required 2 inches of air space between the outside diameter of the chimney and the edges of the framed ceiling hole.

#### 4. Positioning, Safety Strips, Securing the Fireplace

Slide fireplace into position.

Lift the fireplace front slightly and slide the metal safety strips under front bottom edge about 1½ inches, allowing the remainder to extend in front of firebox. Overlap strips at least 1/2 inch to provide a positive joint. (Flat safety strips are packed with fireplace.) (Fig. 12)

Safety strips are used to ensure that any combustible materials in front of the fireplace are protected even though a noncombustible hearth extension is required.

If fireplace is to be elevated above the floor, a “Z” shaped metal safety strip must be fabricated and used to protect combustible surfaces in front of the fireplace. This “Z” shaped safety strip is not provided but must be fabricated of metal with each horizontal leg at least 1½ inches wide and equal in length to the metal strips provided with the fireplace.

**Note:** Safety strips are not required over non-combustible floors where all supports at the base of the fireplace are noncombustible.

Four (4) nailing flanges are supplied with the fireplace (found on the fireplace hearth). To level the box and secure it firmly in place, remove the nailing flanges from the hearth and install at the sides of the fireplace as shown in Figure 13.

#### Installing Outside Air Kit

An outside air damper assembly is installed in all ODSHR Series Fireplaces. If desired, or if local codes mandate the use of an air kit, then an AK-MST is required to complete the installation (from air damper assembly to the outdoors). If the outside air kit is to be used, the AK-MST **MUST** be installed **BEFORE** the fireplace is enclosed. Refer to the AK-MST instructions for field installation.

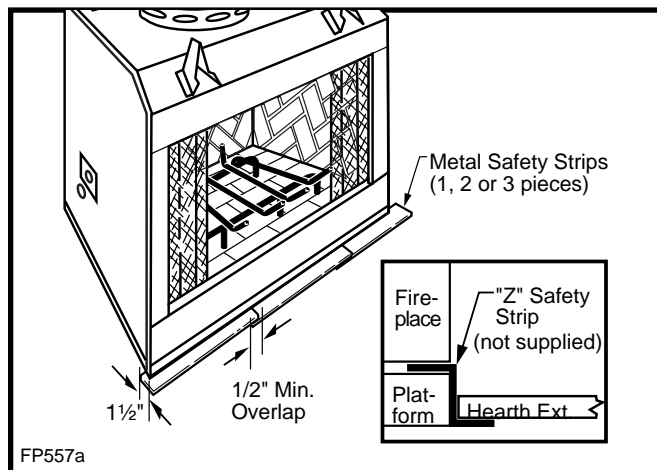


Fig. 12 Safety strip installation.

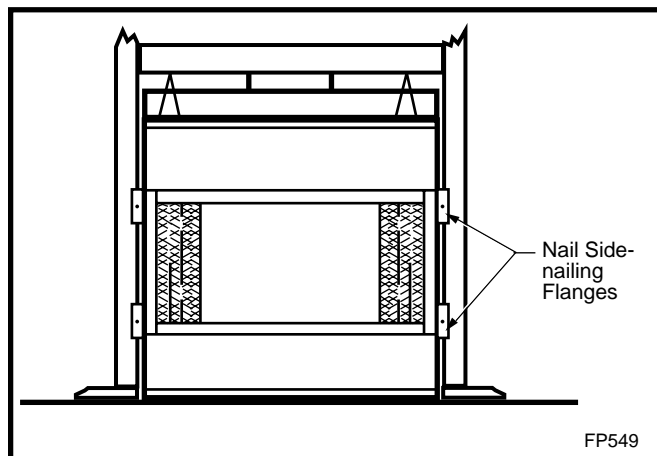


Fig. 13 Fasten fireplace in position.

## 5. Installing the Chimney System

Start by attaching the first chimney section to the collar on top of the fireplace.

Install the pipe as pictured in Figure 14. When you get a good lock, you will hear the pipe clearly snap together. Once sections are snap-locked in place, it is extremely difficult to get them apart. **Make sure the pipe is firmly snapped and locked together as each pipe section is mounted.**

When installing elbows, only outer pipe will snap-lock. Middle pipes simply slide into position. Be sure to always attach straps on upper elbow to a structural framing member. (Fig. 15)

Continue installing the pipe as required until pipe is installed up through the ceiling. At this point, you must install a firestop spacer.

### Installing the Firestop Spacer in the Ceiling Hole

A firestop spacer is used to keep pipe spaced properly and required for safety.

Nail the firestop spacer (at each corner) to the framing members of the ceiling hole. **Note:** A firestop spacer is not required at the roof.

Hole sizes listed in Figure 10 for angled firestop spacers provide minimum required air space to chimney pipe for ceiling thickness up to eight (8) inches. When combined thickness of ceiling material, ceiling joists and flooring material exceeds eight (8) inches, adjustments must be made in framing to assure that minimum air spaces to chimney are maintained.

### Proper Firestop Spacer Installation

Figure 16 shows different installation procedures for both an area that *is* an attic and an area that *is not* an attic.

If the area above the ceiling **is not** an attic, position the firestop spacer with the flange on the ceiling side and the angled portion extending up into the hole.

If the area above the ceiling **is** an attic, position the firestop spacer with the flange on the top of the framed hole and the angled portion extending down into the hole.

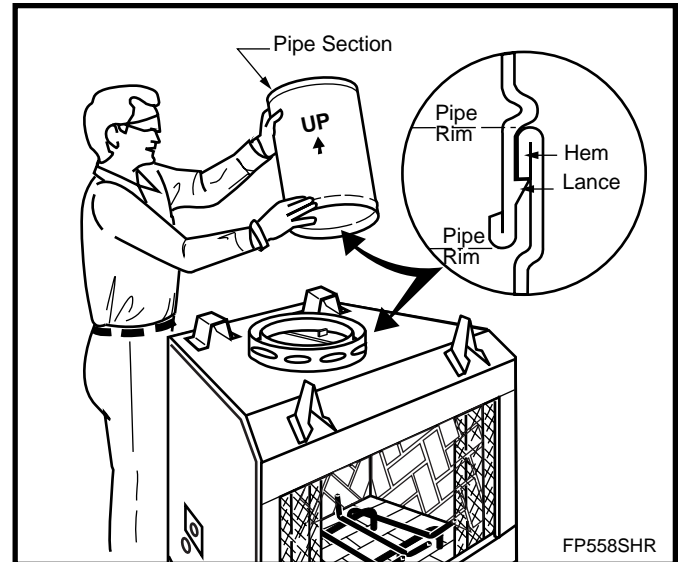


Fig. 14 Install pipe, listening for the snap-lock to fasten.

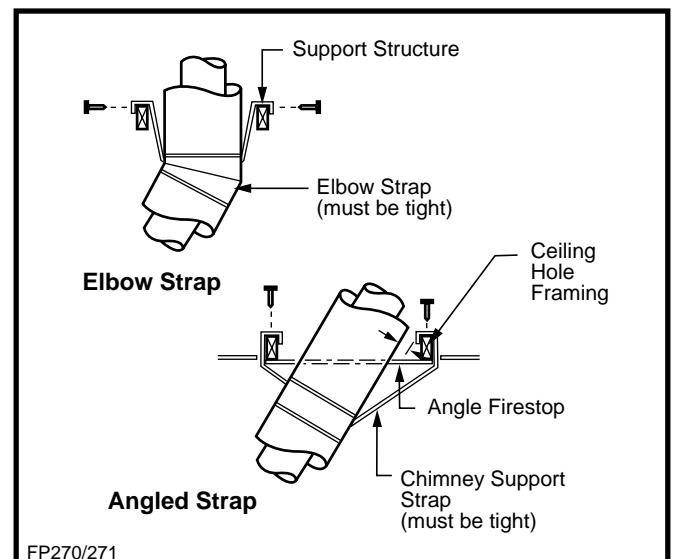


Fig. 15 Attach straps to a structural framing member.

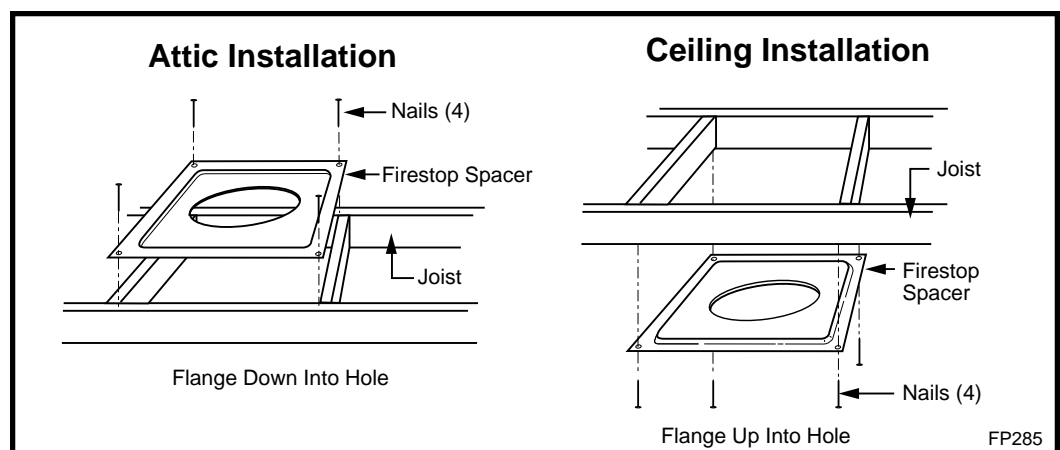


Fig. 16 Installing firestop spacer.

Firestop spacers are not available for, nor are they required on, vertical walls.

The Majestic Fireplaces' chimney components have been tested and approved with the area where the outer pipe slides through the firestop spacer sealed with a noncombustible caulk if desired, or left completely open with no sealant.

### Continue Installing Pipe to Complete Run

Continue attaching pipe sections to complete system to next level always being careful that the pipe is firmly snap locked in place before proceeding to next pipe section.

### Chimney Supports

If chimney supports are required, they are installed the same as elbows. Nail chimney support straps to adjacent structural framing, as shown in Figure 7, Page 7. Bend straps as necessary and make sure they are secure so they will support the weight of the chimney. A chimney support is 2½" long when installed. Consider this dimension when determining how many straight chimney sections are needed.

**Note:** Chimney supports are generally used in long runs in a chase installation.

### Additional Ceilings

If you encounter additional ceilings, repeat same steps required for first ceiling installation. See firestop illustration on Figure 16, Page 12.

### Penetrating the Roof

Run pipe to roofline. Since chimney system must be vented to the out-of-doors, you **must** use an approved Majestic termination.

If a chase is used, refer to the installation manual provided with the termination cap.

### Locate Chimney Centerpoint On Roof

Use same procedure detailed in locating center point of the flue system.

Drive a nail up through roof at the center point. This will determine center point on outside of the roof.

### Cut and Frame Roof Hole

Size of roof hole varies with the type of chimney termination installed. Refer to installation instructions provided with Majestic chimney termination to find correct size of roof hole.

There must be a 2 inch air space between outermost portion of chimney sections and any adjacent combustible surfaces. (Combustible surfaces include burnable

materials such as: ceiling members, joists, flooring, combustible insulation and roof structures.)

**WARNING: DO NOT PACK REQUIRED AIR SPACES WITH INSULATION OR OTHER MATERIALS.**

Mark an outline of the roof hole around the centerpoint of the nail. **Note:** Hole dimensions given in the chimney top installation instructions are **horizontal** dimensions; therefore, the hole size must be marked on the roof accordingly.

Cover the opening of the installed chimney so debris cannot get into the system.

Cut and frame the hole. It is good practice to use framing lumber that is the same size as the rafters. Install the frame securely because the chimney top and flashing anchored to the frame must be able to withstand heavy winds.

### Install Remainder of Chimney Sections

Since you have already preplanned the height of your termination according to the *Ten Foot Rule*, continue to install pipe to the predetermined height.

Check the chimney top installation instructions for details on how high above the roof top the chimney sections (all pipes) should extend.

## 6. Installing Top Housing or Termination

Follow the installation instructions provided with the Majestic chimney termination you have selected.

### Installing Chimney In a Chase

Refer to Figure 2, Page 4 for an illustration of a typical chase installation.

**CAUTION:** Treatment of firestop spacers and construction of chase may vary with type of building. These instructions are not a substitute for local building codes. You **must** check your local building codes to determine specific requirements for your city or state.

**Note:** Other building materials may be required in addition to Majestic Firestop Spacers.

### Finishing

**CAUTION:** All joints between the finished wall and the fireplace surround (top/sides) must be sealed with noncombustible material to prevent cold air leakage into the room. Only noncombustible material may be applied to the facing of the fireplace surround. (Fig. 1

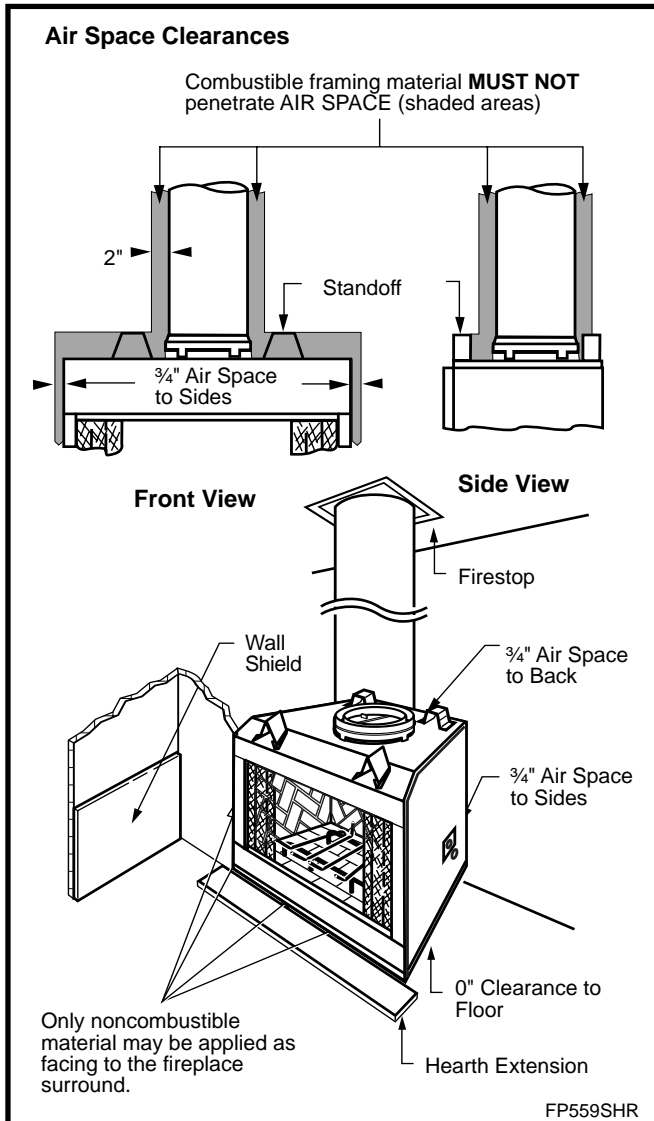


Fig. 17 Minimum clearances to combustibles.

## 7. Finish Wall

Finish the wall with material of your choice. **Do not install a combustible mantel shelf less than 12 inches above the front opening.** If a combustible material is used below a flat mantel shelf, consult your local building codes for minimum clearance from top of fireplace opening to bottom of mantel shelf.

All joints (top, bottom and sides) where wall or decorative facing material meets fireplace surround must be completely sealed with a noncombustible material. (Figs. 18, 19, 20)

**Note:** No side wall protection is required for fireplaces installed at 45 degrees to two (2) side walls (corner installation).

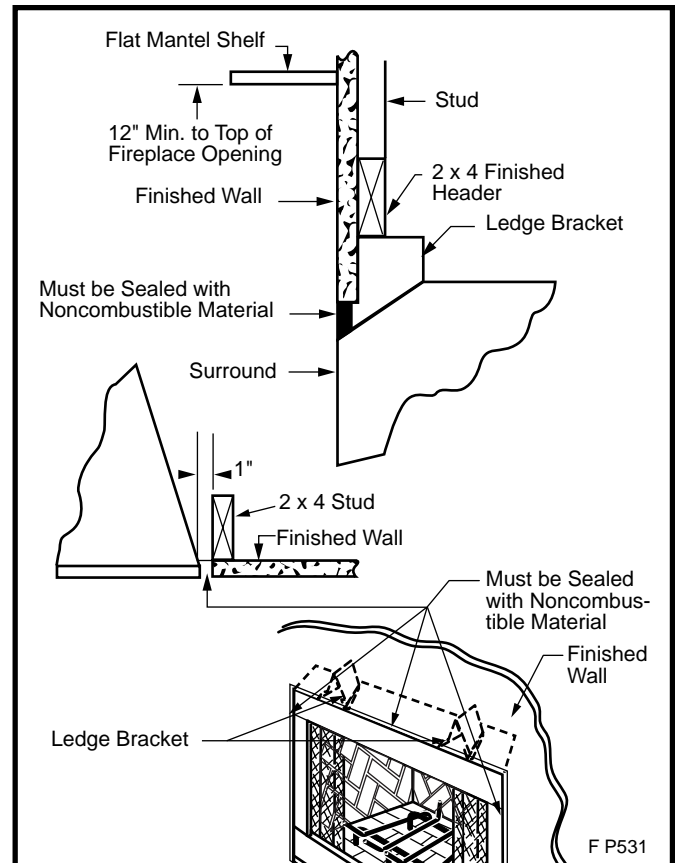


Fig. 18 Fireplace surround flush with finished wall.

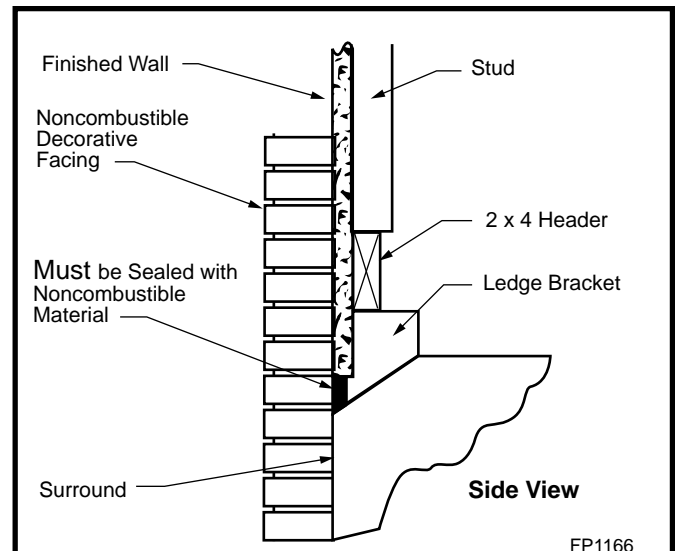


Fig. 19 Fireplace surround flush with finished wall.

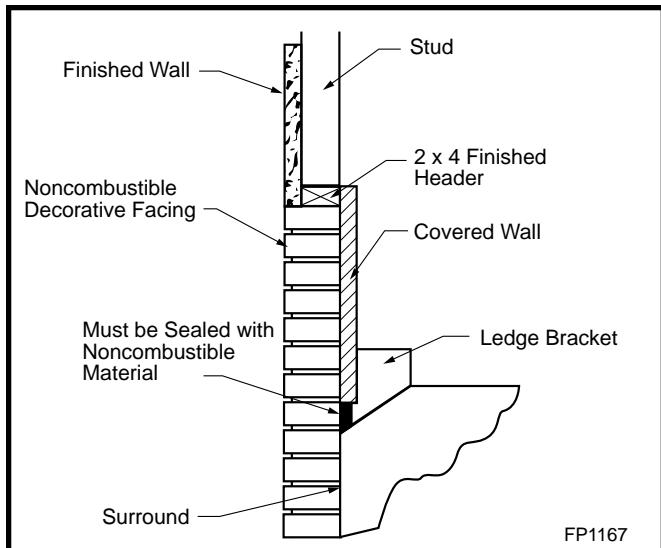


Fig. 20 Facing on fireplace surround flush with finished wall.

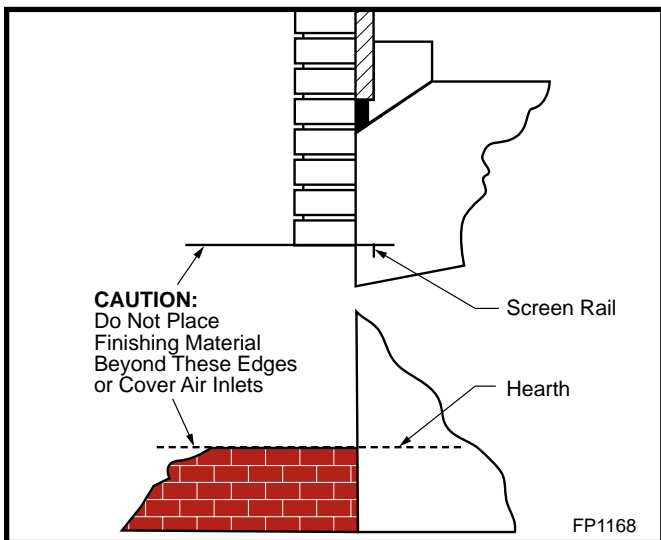


Fig. 21 Finishing front of fireplace.

### Side Wall Protection

Adjacent combustible side walls that are within dimensions shown in Figure 24 of fireplace opening must be protected with Vermont Castings, Majestic Products Wall Shield Model SP40 or a specifically built wall shield described in Figure 22.

The special wall shield design described in Figure 22 is an alternate method of adding protection to side walls and can be used in place of the SP40 with the same wall clearances specified for the SP40.  $R_t$  must = 1.85 minimum.

#### Examples of wall shield insulation:

1. Manville - CERAFORM 126,  $K = .27$ , 1/2 inches thick
2. Majestic - EH2416,  $K = .458$ , 1 inch thick required.

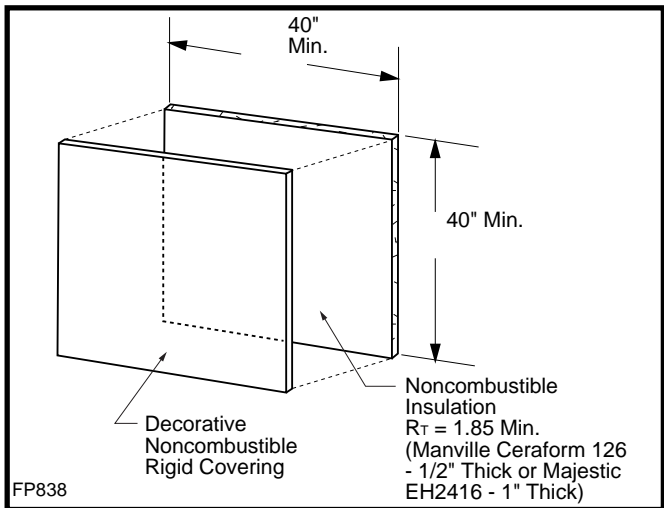


Fig. 22 Noncombustible wall shield dimensions.

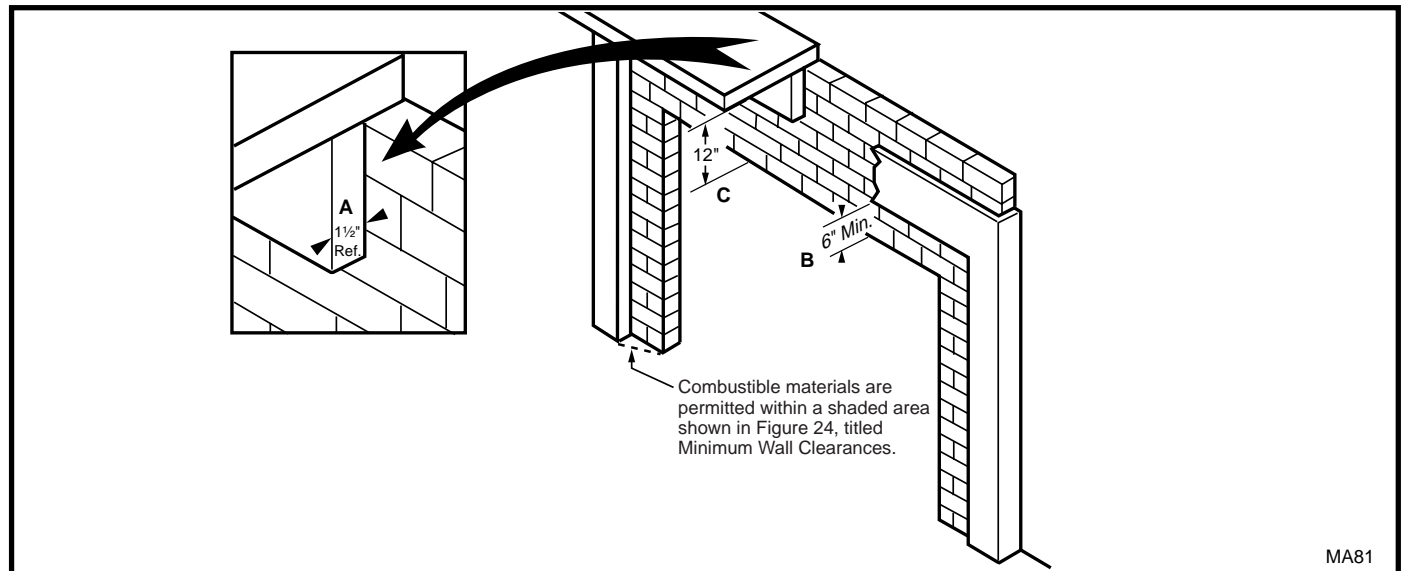


Fig. 23 Combustible mantel clearances.

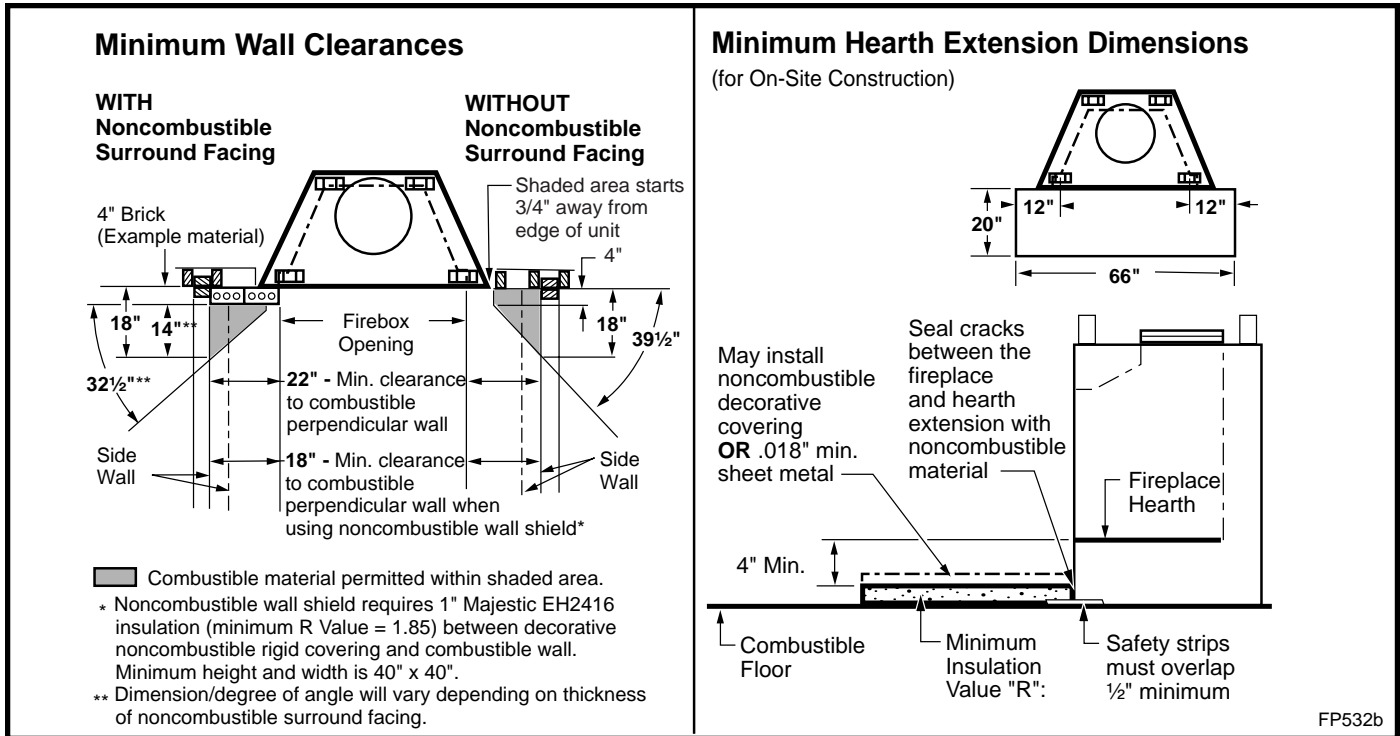


Fig. 24 Combustible side wall protection and hearth extension dimensions.

## 8. Hearth Installation

A hearth extension is required to protect a combustible floor in front of the fireplace. See Figure 24 for minimum dimensions and mounting detail.

**NOTE: Hearth Extension must not cover the air inlet opening of a fireplace.**

The hearth extension described in Figure 24 must be a durable noncombustible material with a minimum (total) Rt value of 1.09; see Figure 25 for examples. The overall height (above a combustible floor), depth and width must be as indicated, with the extension centered to the fireplace opening.

The top of insulation must be covered with a non-combustible decorative covering or a piece of .018" minimum sheet metal, to protect hearth extension material. (Fig. 24)

Secure the hearth extension to the floor to prevent shifting, using trim molding or other similar means at three (3) outer edges. Seal crack between the fireplace hearth and hearth extension with a noncombustible material. (Figs. 24, and 26 - 28)

**WARNING: HEARTH EXTENSION MUST BE INSTALLED IN ACCORDANCE WITH FIGURE 24.**

Alternate noncombustible materials may be used providing the (total) thermal resistance (Rt value) of the alternate material employed is greater than or equal to  $R = 1.09$ . Thermal resistance (R) or thermal conductivity (K), may be obtained from manufacturer of the material. Factors are related by the formula  $K = 1/R$ . (Fig. 25)

T = given thickness

R = thermal resistance for a given thickness (T)

K = thermal conductivity

Non-combustible material with a lower R value may be used, provided thickness of material is sufficiently greater to maintain an equivalent (total) thermal resistance (Rt).

### Example of Determining Hearth Extension Equivalents

To determine the thickness required for any new material:

$$\text{NEW required thickness} + \frac{\text{K of new material (per inch)}}{\text{K of listed material (per inch)}} \times \text{thickness of listed material}$$

### Example for Common Brick

T (new) =  $5.0/0.458 \times 0.50 \text{ in.} = 5.46 \text{ in.}$  (new required thickness).

COMMON MATERIALS AND FACTORS			
MATERIAL	K*	R	MINIMUM THICKNESS
EH2416 <i>(Majestic Products Company)</i>	0.458	1.09	0.50 in.**
Common Brick	5.0	0.10	5.46 in.**

R Value is for 1/2 inch.  
 \* Units of K = BTU/SQ FT/HR/°F/IN  
 \*\* Thickness of Listed Material

FP533ADD

Fig. 25 Hearth extension material factors.

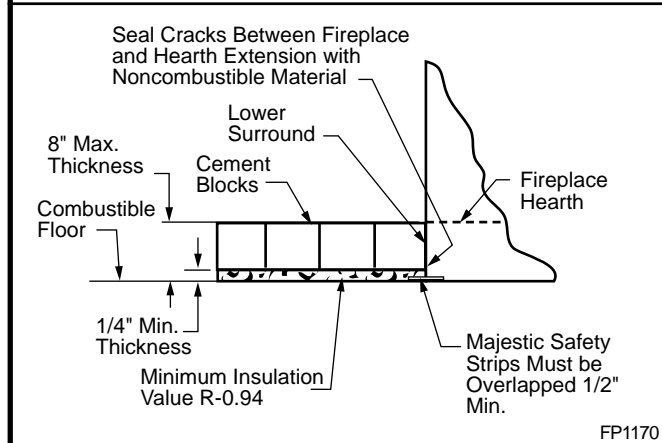
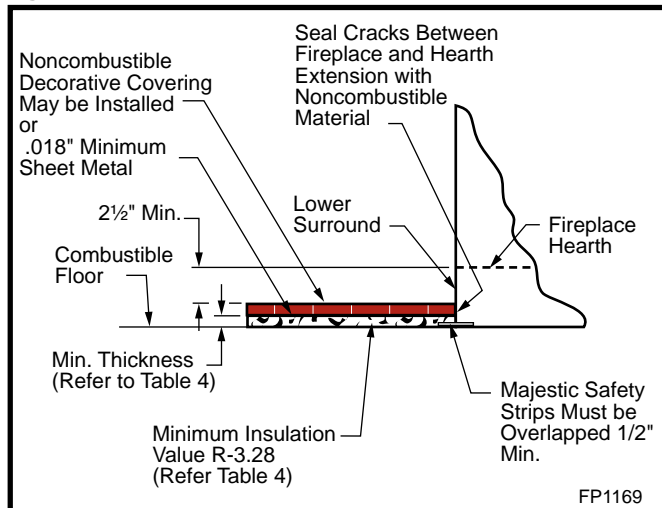


Fig. 26 Protection of adjacent combustible side walls and hearth extension dimensions.

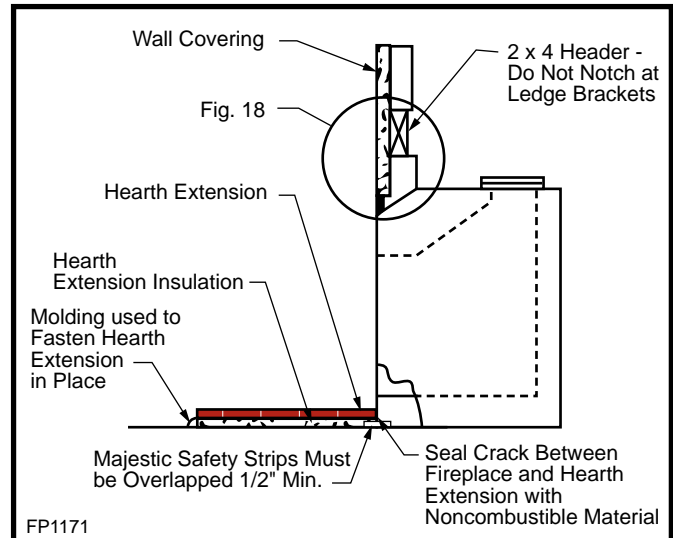


Fig. 27 Sealing detail.

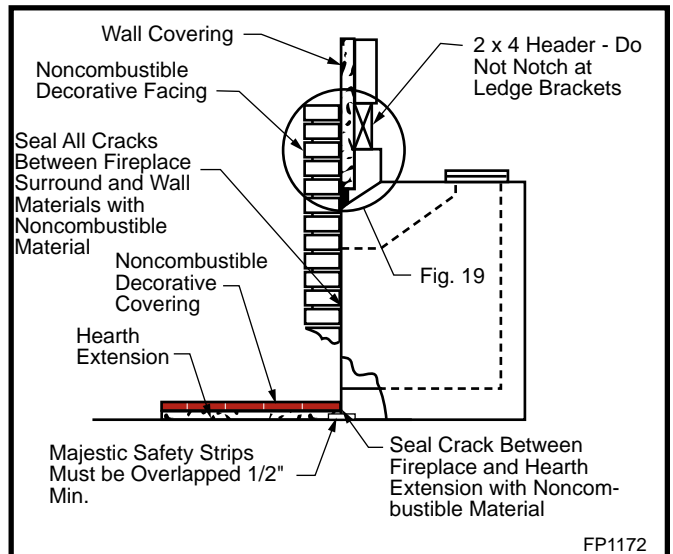


Fig. 28 Sealing detail.

### 9. Installing Line for Gas Logs

Vermont Castings, Majestic Products fireplaces are designed to accept a 1/2 inch gas line for installation of an approved gas appliance. (Vermont Castings, Majestic Products manufactures a wide variety of gas logs for use in Vermont Castings, Majestic Products fireplaces.)

Be sure to have the appliance installed in accordance with building codes.

Gas connection may enter from either left or right side of the fireplace.

Locate appropriate gas line in the outer casing of fireplace and remove insulation from gas line tube. (Fig. 29)



From inside the fireplace, locate the knockout on the firebrick -- be sure you are on the appropriate or "gas line" side of the fireplace. Using a flat bladed screwdriver or small chisel and hammer, carefully tap around the knockout until it loosens and falls out.

Install 1/2 inch certified gas pipe through opening. After gas pipe installation is complete, use insulation that was removed from gas line tube to repack space around the pipe. Material should be inserted from outside of the fireplace and packed tightly to totally seal between the pipe and tube.

**NOTE: Gas pipe should not come in contact with any wood structures until it has reached a point at least one (1) inch away from fireplace side.**

**NOTE:** When installing an ANSI Z21.11.2 ventless appliance, the finishing material used for the mantel must be rated at 250°F or greater.

BTU input of a gas appliance installed in fireplace should be rated less than 100,000 BTU/Hr.

Gas pipe installation is intended for connection to a decorative gas appliance only when (1.) incorporating an automatic shutoff device and (2.) complying with the Standard for Decorative Gas Appliances for Installation in Vented Fireplaces (ANSI Z21.60) or CSA draft requirements for Gas-Fired Log Lighters for Woodburning Fireplaces (Draft No. 4, August 1993).

Decorative gas appliance should be installed in accordance with the National Fuel Gas Code, ANSI Z223.1 (latest edition).

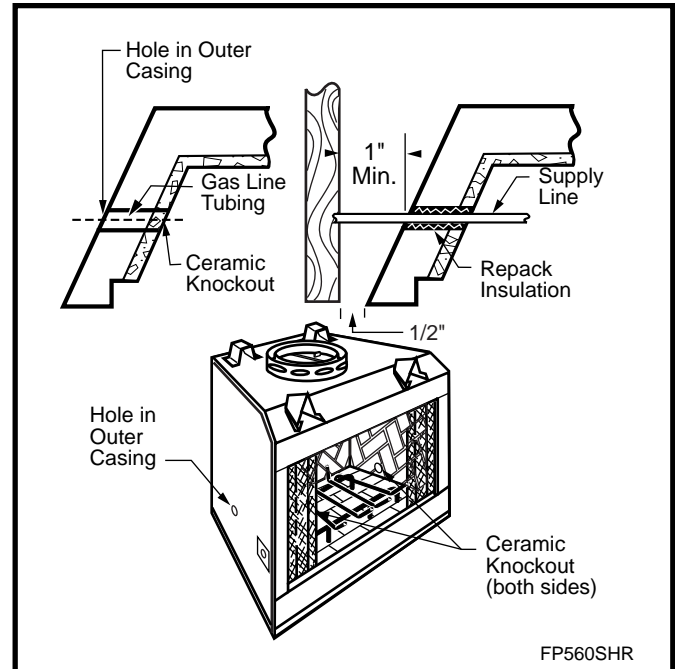


Fig. 29 Gas line access.



**CAUTION: WHEN USING DECORATIVE GAS APPLIANCE, FLUE DAMPER MUST BE SET IN FULLY OPEN POSITION. IF YOU HAVE GLASS DOORS ON THE FIREPLACE, THEY MUST ALSO BE FULLY OPENED.**

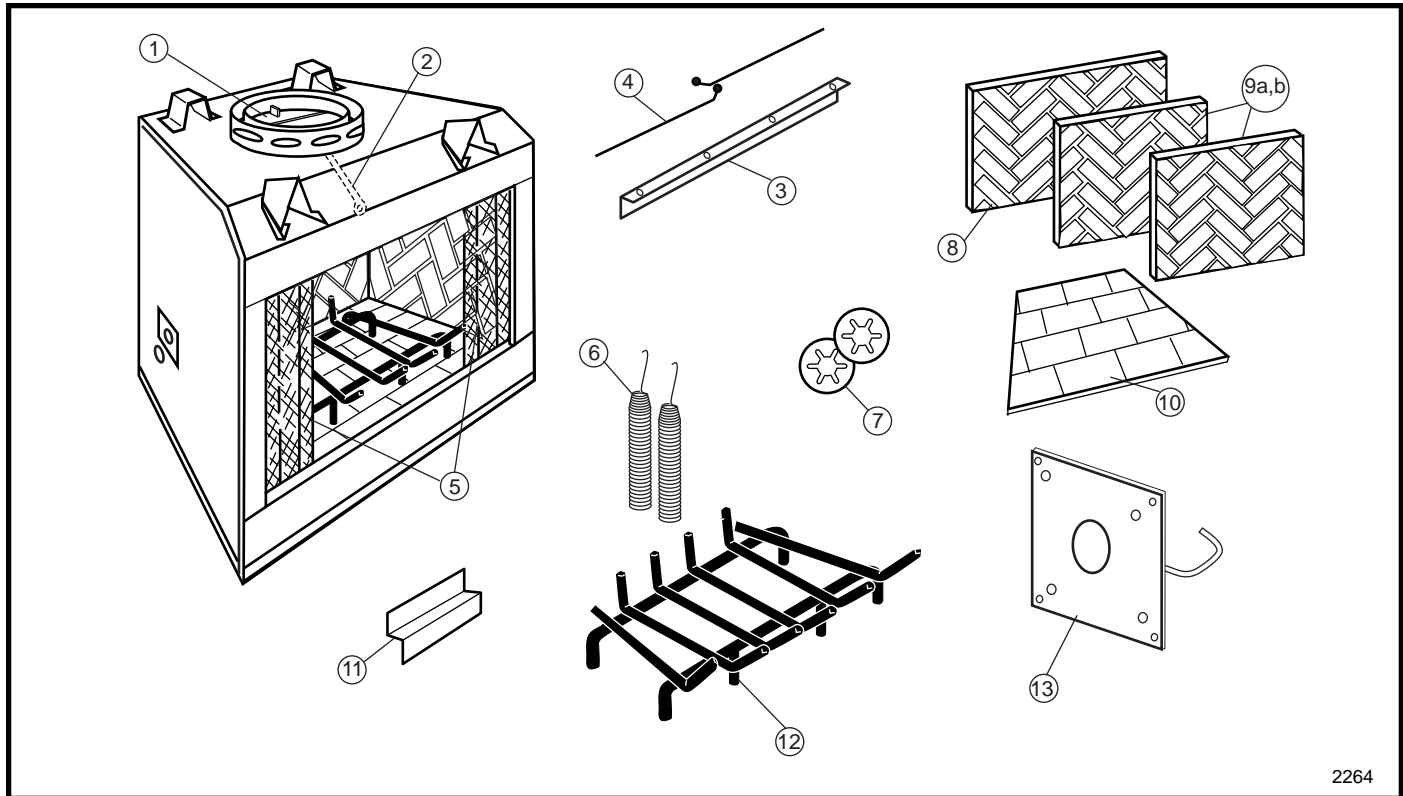
**WARNING: DO NOT OPERATE AN UNVENTED GAS LOG SET IN THIS FIREPLACE WITH THE CHIMNEY REMOVED.**

**WARNING: WHEN INSTALLING AN UNVENTED GAS LOG SET, THE MAJESTIC MODEL AH3244BK OR AH3244PB 4" ADJUSTABLE HOOD MUST BE USED.**

**OUTSIDE INSTALLATION: ONLY USE THE OD30CFLN/P VENTED GAS LOG SET.**

If installing an unvented gas log set, refer to statement below:

Only unvented gas log sets which have been found to comply with the Standard for Unvented Room Heaters, ANSI Z21.11.2, are to be installed in this fireplace.



2264

Vermont Castings, Majestic Products reserves the right to make changes in design, materials, specifications, prices and discontinue colors and products at any time, without notice.

# ODSHR Outdoor Woodburning Fireplace

Ref.	Description	Part Number
1.	Damper Blade	3990185
2.	Damper Handle	20001418
3.	Screen Rail	20002262
4.	Screen Rod	20002222
5.	Screen (two per fireplace)	20002223
6.	Screen Pull (two per fireplace)	20002225
7.	Push Nut (two per fireplace)	7512167
8.	Firebrick - Back	20004155
9a.	Firebrick - Left Side	20004157
9b.	Firebrick - Right Side	20004156
10.	Firebrick - Hearth	20000816
11.	Firebrick Retainers	20002260
12.	Grate	20002230

\* Two (2) required

\*\* Four (4) required

## Accessories

The following accessories for this appliance are available from your local Vermont Castings, Majestic Products products distributor. Should you need additional information beyond what your distributor can furnish, contact: Vermont Castings, Majestic Products, 410 Admiral Blvd., Mississauga, Ontario, Canada L5T 2N6, Attn: Technical Services.

**CAUTION: This fireplace and chimney assembly is a highly engineered system, and, as such, must be operated only with Vermont Castings, Majestic Products approved components. If you use an unapproved component to make any modifications, you may create a possible fire hazard and will void the Vermont Castings, Majestic Products warranty. In addition, such action may void the coverage provided by the owner's insurance.**

Accessory	Description	Model No.
Glass Enclosure Kit	Designed to enclose the fireplace opening with glass doors allowing the fire to remain visible. Available in Polished, Brushed Brass, Black, Stainless Steel and Pewter	42SHGDKDP/BB/BK/SS/S
Outside Air Kit	Provides outside air for fuel combustion in the firebox. This accessory must be installed before fireplace is installed.	AK-MST
Hearth Extension	Located on the floor in front of fireplace to protect the floor from heat, hot embers, ashes, etc.	EH2416
Hearth Patching Kit	Used to patch cracks in hearth.	HPC1
Wall Shield	Used to protect walls adjacent to the fireplace.	SP40
Firestop	Required at each floor level and attic on multi-story installation.	FS2A (straight flue) FS6A (30° inclined flue)
Chimney Support	Used to support the chimney at each 30 feet of vertical height above the hearth and at every 6 feet of inclined chimney run. Each support adds 2½" to chimney length.	11CS (11" flue)
Contemporary Flashing	Required for contemporary top termination on the roof to prevent rain entry.	8-6-12 (0 to 6/12 pitch) 8-12-12 (6/12 to 12/12 pitch)
Contemporary Chase Top Termination	Used to terminate chimney at the top of a chase. Adapter kit is included, flashing is not included.	SLTCF11
Contemporary Round Top Termination	For use with Majestic Type "11CF" Chimney Systems. Used to terminate chimney on the roof. Flashing not included.	RLTCF11

Accessory	Description	Model No.
Extended Round Top	For use with Majestic Type "11CF" Chimney Systems. Used to terminate chimney at top of chase. Adapter kit included. Flashing not included.	RLTCF11L
Chimney Sections	Used to build "11CF" chimney systems.	11" flue 11CF1 (1' long) 11CF18 (1½' long) 11CF3 (3' long) 11CF4 (4' long)
Chimney Elbows	Used to develop 30° offset chimney systems. (Elbows packed 2 per carton - upper and lower elbow set)	11CF30-2 (11" 30° flue)
Top Housing with Upper Baffle	Gives traditional chimney top look using simulated brick in red, tan or white color. Brick pattern is embossed into galvanized steel unit. Roof flashing is included. Appropriate adapter is required. Must be used with upper baffle.	S20BR/BT/BW S20UB (Upper Baffle)
Chimney Reducer Kit	Used to convert CF11 chimney system to SK8 chimney system. For outdoor use only in US and Canada.	20002673

Contact the Vermont Castings, Majestic Products with questions concerning prices and policies covering replacement parts. Parts may be ordered through your Vermont Castings, Majestic Products distributor or dealer.

You will need the following information when ordering replacement parts:

1. The appliance model number.
2. The serial number.
3. A description of the part.

Should you need additional information beyond what your dealer can furnish, contact:

Vermont Castings, Majestic Products  
410 Admiral Blvd.  
Mississauga, Ontario L5T 2N6  
Attn: Technical Services

**Firebox Record**

Model and serial numbers are listed on the rating plate (located on right side of combustion chamber).

Record your model and serial numbers here for future reference:

Model # \_\_\_\_\_

Serial # \_\_\_\_\_

Fuel Type: NG \_\_\_\_ LP \_\_\_\_ Wood \_\_\_\_

Date Purchased: \_\_\_\_\_

Dealer: \_\_\_\_\_

Phone No: \_\_\_\_\_



## LIMITED WARRANTY & 30 YEAR PROTECTION PLAN

### For Vermont Castings, Majestic Products PRE-ENGINEERED Fireplace Systems

Vermont Castings, Majestic Products warrants its Pre-Engineered Fireplace ("Fireplace") and the Vermont Castings, Majestic Products-supplied firegrate, glass doors, outside air system, fan motor, and liners to be free from defects in material or workmanship, as follows:

**A. Fireplace and Chimney Components:** (exclusive of Vermont Castings Majestic Products-supplied firegrate, glass doors, outside air system, fan motor, and liners all of which are covered by separate warranties under paragraphs B through D below): At its option for a period of thirty (30) years from the date the Fireplace is installed, Vermont Castings, Majestic Products either will pay to the consumer the then current wholesale price of such defective part; or,

(1) For a period of five (5) years from the date the Fireplace is installed, Vermont Castings, Majestic Products, at its option, will repair or replace any defective part without charge.

(2) Thereafter, through the 10th year after the date the Fireplace is installed, if replacement parts are available, Vermont Castings, Majestic Products will provide a replacement for any defective part without charge for the part itself. The consumer must pay for everything else other than the part.

(3) Thereafter, through the 30th year after the date the Fireplace is installed, if replacement parts are available, Vermont Castings, Majestic Products will provide a replacement for any defective part at a cost to the consumer of Vermont Castings, Majestic Products' then current list price, FOB Vermont Castings, Majestic Products' factory.

**B. Firegrate, Glass Doors, Outside Air System:**

For a period of 90 days from the date the Fireplace is installed Vermont Castings, Majestic Products, at its option, will provide a replacement for any defective part, without charge for the part itself, FOB Vermont Castings, Majestic Products' factory, (The consumer must pay for everything else other than the part,) or pay to the consumer the then current wholesale price of such defective part.

**C. Fan Motor:**

(1) For a period of one (1) year from the date the Fireplace is installed, majestic, at its option, will repair or replace any defective part without charge, or pay to the consumer the then current wholesale price of such defective part.

(2) Thereafter, through the 30th year after the date the Fireplace is installed Vermont Castings, Majestic Products, at its option, if replacement parts are available, will provide a replacement for any defective part at a cost to the consumer of Vermont Castings Majestic Products' then current list price, FOB Vermont Castings Majestic Products' factory, or pay to the consumer the then current wholesale price of such defective part.

**D. Liners (Refractory or Metal):**

(1) For a period of two (2) years from the date the Fireplace is installed, Vermont Castings, Majestic Products, at its option, will repair or replace any defective part without charge, or pay to the consumer the then current wholesale price of such defective part.

(2) Thereafter, through the 30th year after the date the Fireplace is installed Vermont Castings, Majestic Products, at its option, if replacement parts are available, will provide a replacement for any defective part at a cost to the consumer of Vermont Castings, Majestic Products' then current list price, FOB Vermont Castings, Majestic Products' factory, or pay to the consumer the then current wholesale price of such defective part.

This warranty is subject to the following conditions and limitations:

(1) This warranty is extended only to a Fireplace installed in the continental United States, the state of Alaska and Canada; only if and so long as the Fireplace is installed according to the installation instructions furnished with the Fireplace, and operated at all times under normal conditions, use and service according to the operative instructions furnished with the Fireplace, and only if and so long as the Fireplace is not removed from its original installation.

(2) This warranty is non-transferrable, and is made to the original owner, provided that the purchase was made through an authorized supplier of the Company.

(3) The sole and exclusive remedies for breach of any warranties hereunder shall be for the repair, replacement or provision of a replacement part at Vermont Castings, Majestic Products' then current list price, FOB Vermont Castings, Majestic Products' factory, for any defective part as specified in paragraphs A through D, or the payment to the consumer of the then current wholesale price of such defective part.

(4) Vermont Castings, Majestic Products shall not be liable for damage from any smoking of a Vermont Castings, Majestic Products Pre-Engineered Fireplace System related to environmental geographic conditions (such as, for example, nearby structures or roof peaks, trees, hills, or mountains), inadequate ventilation, or negative air pressure in the place where the Fireplace system is installed, related to any mechanical system (such as, for example, furnaces, fans, air conditioners, clothes dryers, etc.)

(5) Except as otherwise expressly specified in paragraphs A through D, NONE OF THESE WARRANTIES COVER, AND VERMONT CASTINGS, MAJESTIC PRODUCTS SHALL NOT BE RESPONSIBLE FOR, ANY CONSTRUCTION, INSTALLATION, LABOR, TRANSPORTATION OR OTHER COSTS OR EXPENSES ARISING FROM A DEFECTIVE PART, ITS REPAIR OR REPLACEMENT OR OTHERWISE, NOR SHALL VERMONT CASTINGS, MAJESTIC PRODUCTS IN ANY EVENT BE RESPONSIBLE FOR ANY INDIRECT, INCIDENTAL OR CONSEQUENTIAL DAMAGES EXCEPT TO THE EXTENT REQUIRED BY LAW. Some states do not allow the exclusion or limitation of incidental or consequential damages, so this exclusion or limitation may not apply to you.

NO IMPLIED WARRANTIES, INCLUDING THE IMPLIED WARRANTIES OF MERCHANTABILITY AND FITNESS FOR A PARTICULAR PURPOSE, SHALL REMAIN IN EFFECT AFTER THE EXPIRATION OF THE WARRANTIES SET FORTH IN PARAGRAPHS A THROUGH D. Some states do not allow limitations on how long an implied warranty lasts, so this limitation may not apply to you.

In order to obtain performance of any of the above warranty obligations write to Vermont Castings, Majestic Products at this address:

Vermont Castings Majestic Products  
410 Admiral Blvd.  
Mississauga, Ontario, Canada L5T 2N6  
Attention: Warranty Manager

Since local building requirements may vary greatly throughout the country, users of Vermont Castings, Majestic Products products should determine in advance whether there are any building code restrictions on the use of a specific product. VERMONT CASTINGS, MAJESTIC PRODUCTS MAKES NO REPRESENTATION OR WARRANTY REGARDING, AND SHALL NOT BE RESPONSIBLE FOR, ANY BUILDING CODE COMPLIANCE.

The foregoing warranties give you specific legal rights and you may also have other rights which vary from state to state.

**Vermont Castings, Majestic Products**

410 Admiral Blvd. • Mississauga, Ontario, Canada L5T 2N6 • 905-670-7777  
www.majesticproducts.com • www.vermontcastings.com