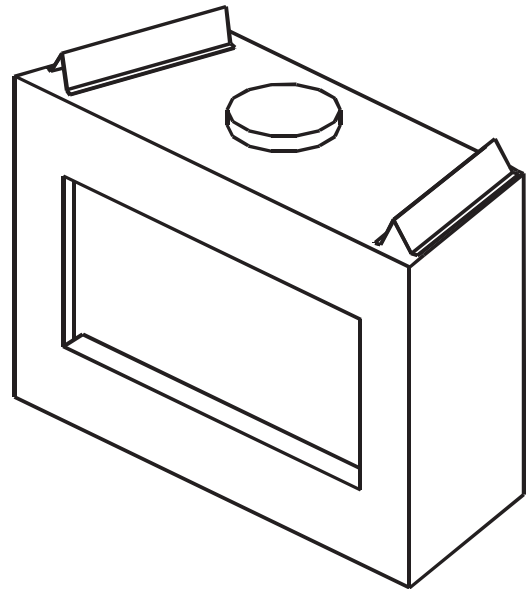


MAJESTIC

Super B-Vent Series Natural Vent Gas Fireplace Installation & Operating Instructions

**Models:
BV4536, BV5142**



WARNING

IF THE INFORMATION IN THESE INSTRUCTIONS IS NOT FOLLOWED EXACTLY, A FIRE OR EXPLOSION MAY RESULT CAUSING PROPERTY DAMAGE, PERSONAL INJURY OR LOSS OF LIFE.

- Do not store or use gasoline or other flammable vapors and liquids in the vicinity of this or any other appliance.
- WHAT TO DO IF YOU SMELL GAS
 - Do not try to light any appliance.
 - Do not touch any electrical switch; do not use any phone in your building.
 - Immediately call your gas supplier from a neighbor's phone. Follow the gas supplier's instructions.
 - If you cannot reach your gas supplier, call the fire department.
- Installation and service must be performed by a qualified installer, service agency or the gas supplier.

WARNING: Improper installation, adjustment, alteration, services or maintenance can cause injury or property damage. Refer to this manual. For assistance or additional information consult a qualified installer, service agency or the gas supplier.

DUE TO HIGH TEMPERATURES, THE APPLIANCE SHOULD BE LOCATED OUT OF TRAFFIC AND AWAY FROM FURNITURE AND DRAPERIES.

CHILDREN AND ADULTS SHOULD BE ALERT-ED TO THE HAZARDS OF HIGH SURFACE TEMPERATURE AND SHOULD STAY AWAY TO AVOID BURNS OR CLOTHING IGNITION.

YOUNG CHILDREN SHOULD BE SUPERVISED WHEN THEY ARE IN THE SAME ROOM AS THE APPLIANCE.

CLOTHING OR OTHER FLAMMABLE MATERIAL SHOULD NOT BE PLACED ON OR NEAR THE APPLIANCE.

KEEP THE ROOM AREA CLEAR AND FREE FROM COMBUSTIBLE MATERIALS, GASOLINE AND OTHER FLAMMABLE VAPORS AND LIQUIDS.

INSTALLER: Leave this manual with the appliance.
CONSUMER: Retain this manual for future reference.

Thank you and congratulations on your purchase of an MHSC Fireplace

Please read the Installation and Operation Instructions before using the appliance!

IMPORTANT: Read all instructions and warnings carefully before starting installation.

Failure to follow these instructions may result in a possible fire hazard and will void the warranty.

Important Safety Information	3	Optional DC Remote Systems	20
Code Approval	3	Final Installation	21
Pre-Installation Information		Wall Finishing	21
High Elevations	5	Rock Wool Placement.....	21
Gas Specifications	5	Lava Rock Placement.....	21
Before You Install	5	Log Placement	21
Fireplace Dimensions	6	Glass Bi-fold Door Installation.....	22
Fireplace Framing	7	Damper Operation	23
Fireplace Location.....	8	Hi-Temperature Cut-off Disc.....	23
Clearances	8	Operating Instructions	24
Wall and Ceiling Clearances	8	What To Do If You Smell Gas.....	24
Floor Clearances.....	8	Lighting Pilot for the First Time	25
Clearances to Combustibles	9	Lighting Instructions Millivolt	26
Installation Information.....	10	To Turn Off Gas.....	26
Positioning the Fireplace.....	10	Lighting Electronic Ignition	27
Finishing Material	10	Cleaning and Maintenance	28
Vent Installation	11	Burner, Pilot and Control Compartment	28
Installation Precautions.....	11	Pilot Flame	28
Venting Configuration.....	11	Burner	28
Vertical Venting - Straight Up	11	Burner Flame	28
Vertical Venting w/Elbows	12	Vent System.....	29
Install Vent Components	12	Glass Door	29
Firestop Installation	13	Logs	29
Vertical Termination.....	14	Rock Wool.....	29
Outside Air Kit	15	Troubleshooting	30
Fireplace Installation.....	16	Replacement Parts	33
Check Gas Type.....	16	Firebox Components.....	33
Installing Gas Piping to Fireplace/Burner Sys- tem Location	16	Logs	33
Check Gas Pressure.....	18	Standing Pilot - Millivolt Control	34
Electrical Installation.....	19	Electronic Ignition.....	34
Electrical Wiring	19	Warranty	35
Remote Wall Mounted Switch	19		
Electronic Pilot Ignition Wiring	20		

INSTALLER

Please leave these instructions with the appliance.

OWNER

Please retain these instructions for future reference.

WARNING

- **Read this owner's manual carefully and completely before trying to assemble, operate, or service this fireplace.**
- **Any change to this fireplace or its controls can be dangerous.**
- **Improper installation or use of this fireplace can cause serious injury or death from fire, burns, explosions, electrical shock and carbon monoxide poisoning.**

This fireplace is a decorative gas appliance. This fireplace must be properly installed by a qualified service person.

CARBON MONOXIDE POISONING: Early signs of carbon monoxide poisoning are similar to the flu with headaches, dizziness and/or nausea. If you have these signs, the fireplace may not have been installed properly. Get fresh air at once! Have the fireplace inspected and serviced by a qualified service person. Some people are more affected by carbon monoxide than others. These include pregnant women, people with heart or lung disease or anemia, those under the influence of alcohol, and those at high altitudes.

Propane/LP gas and natural gas are both odorless. An odor-making agent is added to each of these gases. The odor helps you detect a gas leak. However, the odor added to these gases can fade. Gas may be present even though no odor exists.

Make certain you read and understand all warnings. Keep this manual for reference. It is your guide to safe and proper operation of this fireplace.

1. This appliance is only for use with the type of gas indicated on the rating plate. This appliance is not convertible for use with other gases unless a certified kit is used.
2. For propane/LP fireplace, do not place propane/LP supply tank(s) inside any structure. Locate propane/LP supply tank(s) outdoors. To prevent performance problems, do not use propane/LP fuel tank of less than 100 lbs. capacity.
3. If you smell gas:
 - shut off gas supply
 - do not try to light any appliance
 - do not touch any electrical switch; do not use any phone in your building
 - immediately call your gas supplier from a neighbor's phone. Follow the gas supplier's instructions.

4. Never install the fireplace:
 - in a recreational vehicle
 - where curtains, furniture, clothing, or other flammable objects are less than 42" from the front, top or sides of the fireplace
 - in high traffic areas
 - in windy or drafty areas
5. This fireplace reaches high temperatures. Keep children and adults away from hot surfaces to avoid burns or clothing ignition. Fireplace will remain hot for a time after shutdown. Allow surfaces to cool before touching.
6. Carefully supervise young children when they are in the room with fireplace.
7. Do not modify fireplace under any circumstances. Any parts removed for servicing must be replaced prior to operating fireplace.
8. Turn fireplace off and allow to cool before servicing, installing or repairing. Only a qualified service person should install, service or repair the fireplace. Have burner system inspected annually by a qualified service person.
9. You must keep control compartments, burners and circulating air passages clean. More frequent cleaning may be needed due to excessive lint and dust from carpeting, bedding material, pet hair, etc. turn off the gas valve and pilot light before cleaning fireplace.
10. Have venting system inspected annually by a qualified service person. If needed, have venting system cleaned or repaired. Refer to *Cleaning and Maintenance*, Page 32.
11. Keep the area around your fireplace clear of combustible materials, gasoline and other flammable vapor and liquids. Do not run fireplace where these are used or stored. Do not place items such as clothing or decorations on or around fireplace.
12. Do not use this fireplace to cook food or burn paper or other objects.
13. Never place anything on top of fireplace.

Continued on Page 4

Continued on Page 4

14. Do not use any solid fuels (wood, coal, paper, cardboard, etc.) in this fireplace. Use only the gas type indicated on rating plate.
15. This appliance, when installed, must be electrically grounded in accordance with local codes or in the absence of local codes, with the *National Electrical Code, ANSI/NFPA 70* or the *Canadian Electrical Code, CSA C22.1*.
16. Do not obstruct the flow of combustion and ventilation air in any way. Provide adequate clearances around air openings into the combustion chamber along with adequate accessibility clearance for servicing and proper operation.
17. When the appliance is installed directly on carpeting, tile or other combustible material other than wood flooring, you must set appliance on a metal or wood panel or hearth pad extending the full width and depth of the appliance.

18. Do not use fireplace if any part has been exposed to or has been under water. Immediately call a qualified service person to arrange for replacement of the unit.
19. Do not operate fireplace if any log is broken.
20. Do not use a blower fireplace, heat exchanger fireplace or any other accessory not approved for use with this fireplace.
21. The fireplace is not intended for use with a thermostat.
22. This appliance must be installed with draft hood in same atmospheric pressure zone as the combustion air inlet to the appliance.
23. **For Massachusetts Residents Only:** This product must be installed by a licensed plumber or gas fitter when installed within the Commonwealth of Massachusetts. Flexline installation must not exceed 36”.

IMPORTANT:
PLEASE READ THE FOLLOWING CAREFULLY

It is normal for fireplaces fabricated of steel to give off some expansion and/or contraction noises during the start up or cool down cycle. Similar noises are found with your furnace heat exchanger or car engine.

IMPORTANT:
PLEASE READ THE FOLLOWING CAREFULLY

It is not unusual for gas fireplace to give off some odor the first time it is burned. This is due to the manufacturing process.

Please ensure that your room is well ventilated during burn off - open all windows.

It is recommended that you burn your fireplace for at least en (10) hours the first time you use it.



We recommend that our gas hearth products be installed and serviced by professionals who are certified in the U.S. by the National Fireplace Institute® (NFI) as NFI Gas Specialists.

WARNING

Never connect unit to private (non-utility) gas wells. This gas is commonly known as wellhead gas.

WARNING

Proposition 65 Warning: Fuels listed in gas, wood burning or oil fired appliances, and the products of combustion of such fuels, contain chemicals known to the State of California to cause cancer, birth defects and other reproductive harm.

California Health and Safety Code Sec. 25249.6

CODE APPROVAL

These appliances have been tested by CSA and found to comply with the established standards for VENTED GAS FIREPACES in the US and Canada as follows:

LISTED VENTED GAS FIREPLACE
TESTED TO: ANSI Z21.50a-2008 CSA2.22a-2008

HIGH ELEVATIONS

Input ratings are shown in BTU per hour and are certified without deration for elevations up to 4,500 feet (1,370 m) above sea level.

For elevations above 4,500 feet (1,370 m) in USA, installation must be in accordance with the current ANSI Z223.1/NFPA 54 and/or local codes having jurisdiction.

In Canada, please consult provincial and/or local authorities having jurisdiction for installation at elevations above 4,500 feet (1,370 m).

ORIFICE SIZES, PRESSURES AND BTUs

NATURAL GAS

Manifold Press: (w.c.) 3.5”
 Maximum Supply Pressure 10.5”
 Minimum Supply Pressure 4.0”

PROPANE GAS

Manifold Press: (w.c.) 10”
 Maximum Supply Pressure 13”
 Minimum Supply Pressure 11”

GAS SPECIFICATIONS

Model	Fuel	Gas Control	Max. Input BTU/h
BV4536NV	Natural	Millivolt	50,000
BV4536PV	Propane/LP	Millivolt	50,000
BV4536NE	Natural	Electronic	50,000
BV4536PE	Propane/LP	Electronic	50,000
BV5142NV	Natural	Millivolt	50,000
BV5142PV	Propane/LP	Millivolt	50,000
BV5142NE	Natural	Electronic	50,000
BV5142PE	Propane/LP	Electronic	50,000

BEFORE YOU START

Read this homeowner manual thoroughly and follow all instructions carefully. Inspect all contents for shipping damage and immediately inform your dealer if any damage is found. Do not install any unit with damaged, incomplete, or substitute parts. Check your packing list to verify that all listed parts have been received. You should have the following:

- Fireplace (Firebox and Burner System)
- Log Set
- Lava Rock
- Rock Wool
- Exterior outside air hood
- Bifold glass doors in a separate package (LPG only)

ITEMS REQUIRED FOR INSTALLATION

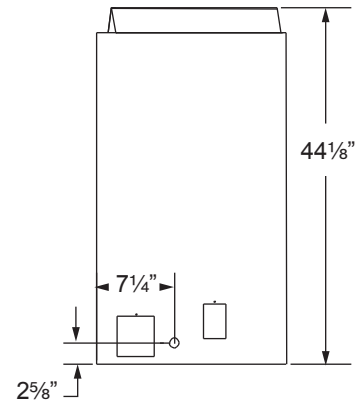
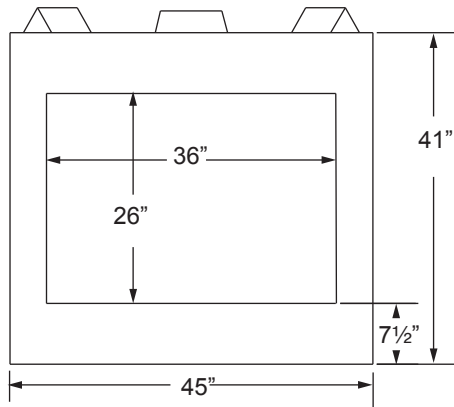
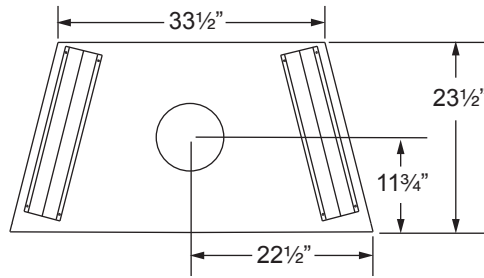
Tools:

- Phillips screwdriver
- Hammer
- Saw and/or saber saw
- Level
- Measuring tape
- Electric drill and bits
- Pliers
- Square
- Pipe Wrench

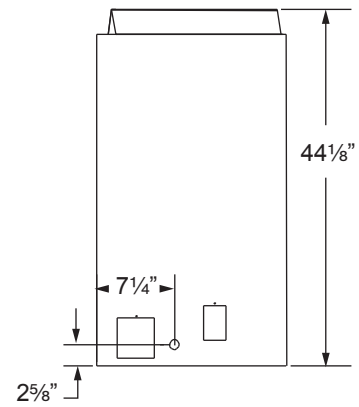
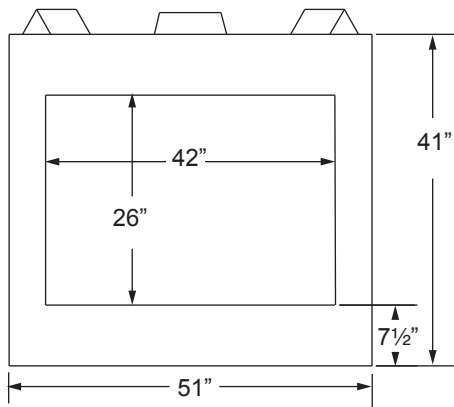
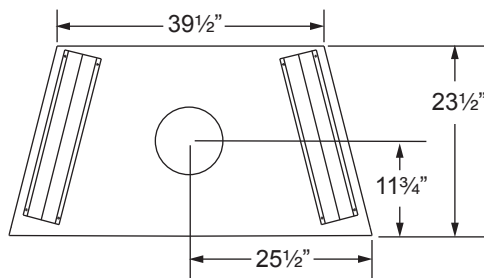
Building Supplies:

- Framing materials
- Wall finishing materials
- Caulking material (noncombustible)
- Fireplace surround material (noncombustible)
- Piping complying with Local Codes
- Tee joint
- Pipe sealant approved for use with Propane/LP gas (resistant to sulfur compounds)
- 4” Flexible liner or equivalent

**Figure 1 -
BV4536 Dimensions**



**Figure 2 -
BV5142 Dimensions**



FIREPLACE FRAMING

Firebox framing can be built before or after the appliance is set in place. Construct firebox framing following *Figure 3* and the chart below for your specific installation requirements. Refer to *Page 6, Figures 1 & 2* for firebox dimensions. The framing headers may rest on the top of the firebox standoffs.

The firebox may be installed directly on a combustible floor or raised on a platform of an appropriate height. When the firebox is installed directly on carpeting, tile or other combustible material, other than wood flooring, the firebox shall be installed on a metal or wood panel extending the full width and depth of the enclosure.

WARNING Do not fill spaces around firebox with insulation or other materials. This could cause a fire.

	BV4536	BV5142
A	45 ³ / ₈ "	51 ³ / ₈ "
B	80 ³ / ₄ "	86 ³ / ₄ "
C	57 ¹ / ₄ "	60 ³ / ₈ "
D	40 ³ / ₈ "	43 ³ / ₈ "
E	23 ⁵ / ₈ "	23 ⁵ / ₈ "

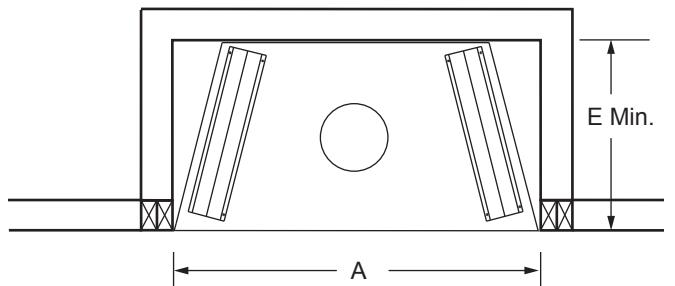
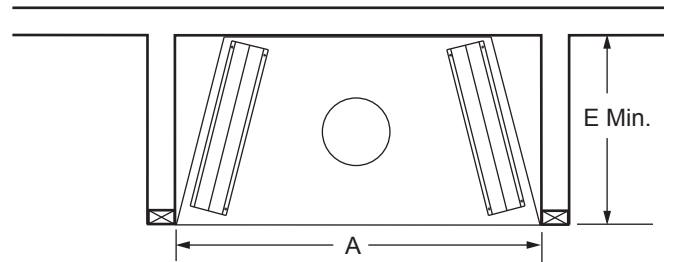
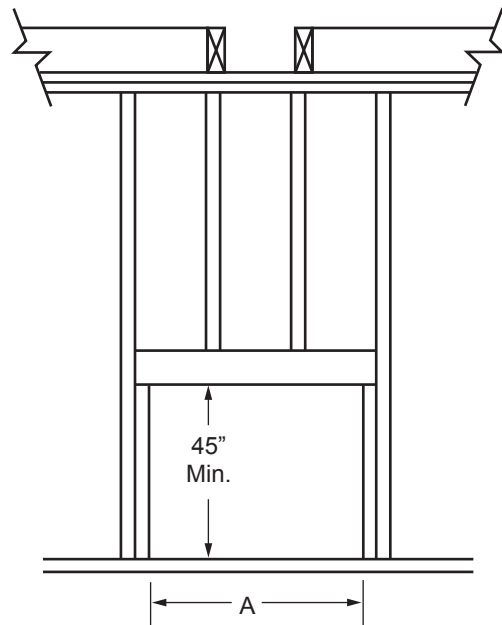
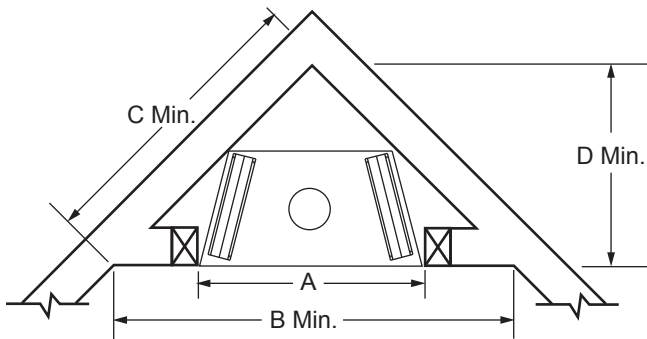


Figure 3 - Framing Dimensions

FIREPLACE LOCATION

Plan for the installation of your appliance. This includes determining where the unit is to be installed, the vent configuration to be used, framing and finishing details, and whether any optional accessories (i.e. wall switch, or remote control) are desired. Consult your local building code agency to ensure compliance with local codes, including permits and inspections.

The following factors should be taken into consideration:

- Clearance to side-wall, ceiling, woodwork and windows. Minimum clearances to combustibles must be maintained.
- This fireplace may be installed along a wall, across a corner or use an exterior chase.
- Location should be out of high traffic areas and away from furniture and draperies due to heat from appliance.
- Never obstruct the front opening of the fireplace.
- Do not install in the vicinity where gasoline or other flammable liquids may be stored.
- Vent pipe routing. Refer to Venting section found in this manual for allowable venting configurations.
- These units can be installed in a bedroom. Refer to the National Fuel Gas Code ANSI Z233.1/ NFPA 54 - (current edition), the Uniform Mechanical Code - (current edition), and Local Building Codes for specific installation requirements.

WALL and CEILING CLEARANCE REQUIREMENTS

Ensure that minimum clearances shown in *Figure 4* are maintained. Left and right clearances are determined when facing the front of the appliance. Follow these instructions carefully to ensure safe installation. Failure to follow these requirements may create a fire hazard.

Sidewall Clearance: The clearance from the front edge of the appliance to any combustible wall should not be less than 4" on both the left and right sides.

Ceiling Clearance: The ceiling must be at least 25" from the top of the front of the fireplace (66" from the bottom of the fireplace).

Back-wall Clearance: The appliance may be placed against a combustible back wall. **NOTE:** There are 1/4" ribs/spacers on the outer shell of the unit to maintain minimum clearance of the outer shell to combustibles.

FLOOR CLEARANCES

The fireplace may be installed on a flat, hard combustible surface (i.e. flat wood, plywood or particle board). Be sure the fireplace rests on a solid continuous floor or platform with appropriate framing support. Do NOT install appliance directly on carpeting, vinyl or other soft floor covering. If the fireplace is to be installed on carpeting or tile, or on any combustible material other than wood flooring, the fireplace should be installed on a metal or wood panel that extends the full width and depth of the fireplace.

CLEARANCES TO COMBUSTIBLES

The appliance is a zero clearance fireplace with ribs/spacers defining the minimum space to the sheet metal outer shell. Combustibles may be placed up against these spacers. Do NOT place combustibles (i.e. insulation, wood, etc.) closer than allowed by the spacers or a fire hazard may exist. The ribs/spacers for the sides and rear of the appliance are 1/4" and the top spacers are 3 1/8". On the front top edge in front of the top framing spacers, a combustible wall (or drywall) may be brought up to the front top and side edges of the unit. Do not overlap the black painted face with combustible materials. *Figure 4*

WARNING

Follow these instructions carefully to ensure safe installation. Failure to follow instructions exactly can create a fire hazard.

The appliance cannot be installed on a carpet, tile or other combustible material other than wood flooring. If installed on carpet or vinyl flooring, the appliance shall be installed on a metal, wood or noncombustible material panel extending full width and depth of the appliance.

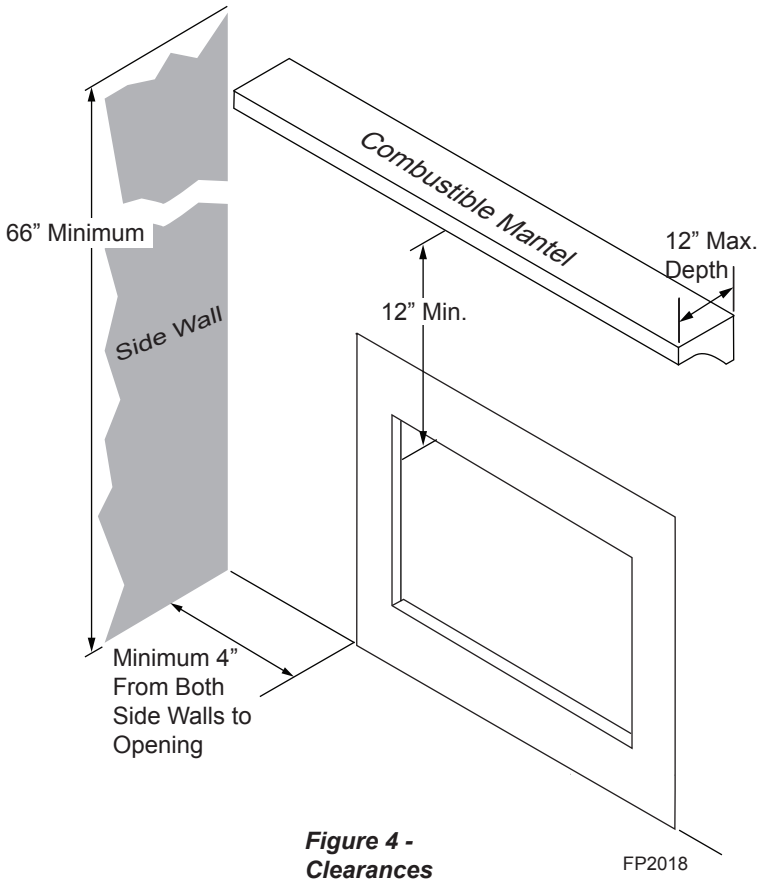


Figure 4 - Clearances

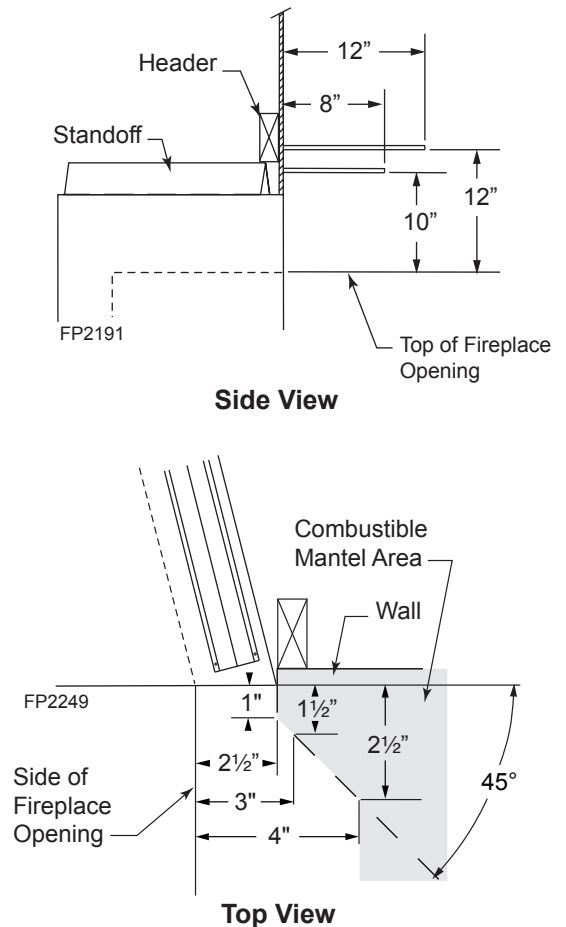


Figure 5 - Mantel Clearances

POSITIONING THE FIREPLACE

1. Bend out the four (4) nailing flanges located on the sides of the fireplace. For 5/8" drywall, use the two (2) outer most flanges. For 1/2" drywall, use the two (2) inner flanges.
2. Slide the firebox into prepared framing or position fireplace in its final position and frame later. Be sure fireplace is resting on a flat surface.
3. Set unit level and plumb by checking the top and front of unit. Shim side-to-side and front-to-back as necessary.
4. Anchor nailing flanges of the fireplace to the side-framing members using 8d nails or other suitable fasteners.

NOTE

The fireplace must be installed giving full consideration to the clearances and height requirements identified in this manual.

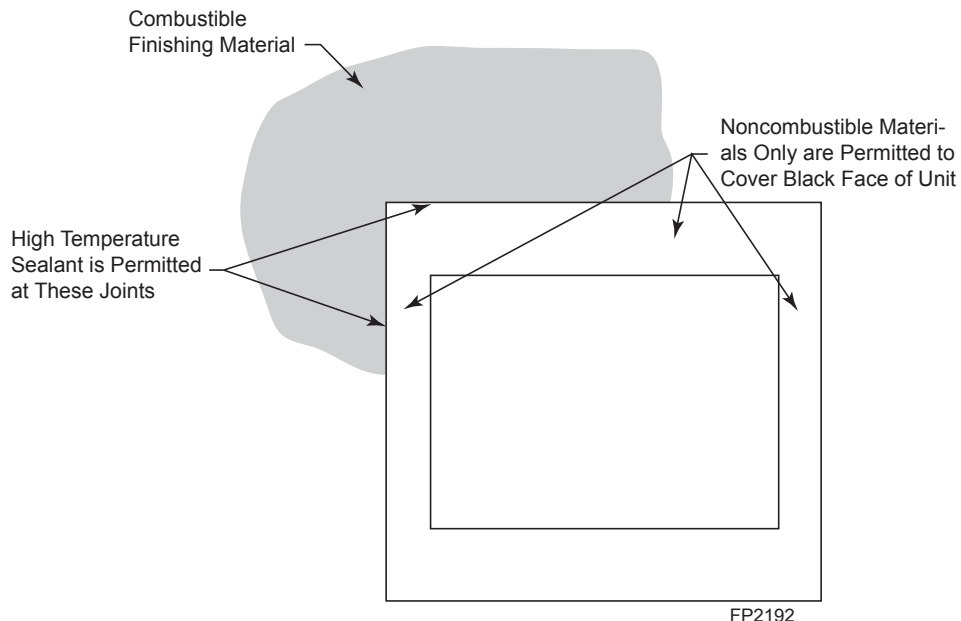
FINISHING MATERIAL

Measure fireplace dimensions and verify framing methods and wall covering details before framing constructions begins.

NOTE

Any remote wiring (i.e. remote control and wall switch) must be done prior to final finishing to avoid costly reconstruction.

Only noncombustible materials (i.e. brick, tile, slate, steel or other materials with a UL fire rating of Zero) may be used to cover the black surface of the appliance. A 300° F minimum adhesive may be used to attach facing materials to the black surface. If joints between the finished wall and the fireplace surround are sealed, a 300° F minimum sealant material (General Electric RTV 103 or equivalent) must be used.



**Figure 6 -
Finishing Material**

WARNING

The following venting instructions are provided as a general guideline. Always check with pipe manufacturer for venting requirements.

INSTALLATION PRECAUTIONS

Consult local building codes before beginning the installation. The installer must make sure to select the proper vent system for installation. Before installing vent kit, the installer must read this fireplace manual and vent kit instructions.

Only a qualified installer/service person should install venting system. The installer must follow these safety rules:

- Wear gloves and safety glasses for protection.
- Use extreme caution when using ladders or when on rooftops.
- Be aware of electrical wiring locations in walls and ceilings.

The following actions will void the warranty on your venting system:

- Installation of any damaged venting component.
- Unauthorized modification of the venting system.
- Installation of any component part not manufactured or approved by MHSC.
- Installation other than permitted by these instructions.

VENTING CONFIGURATION

WARNING

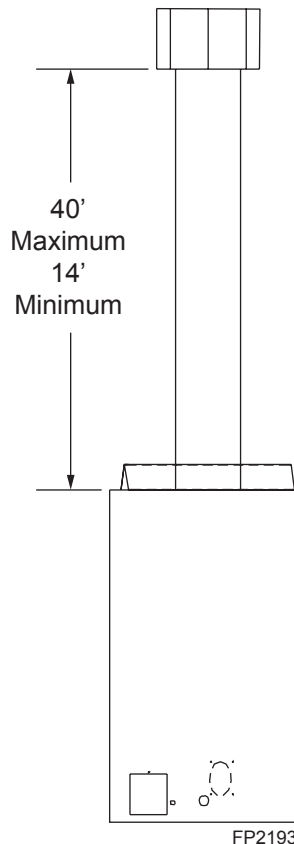
Never use 90° elbows.

WARNING

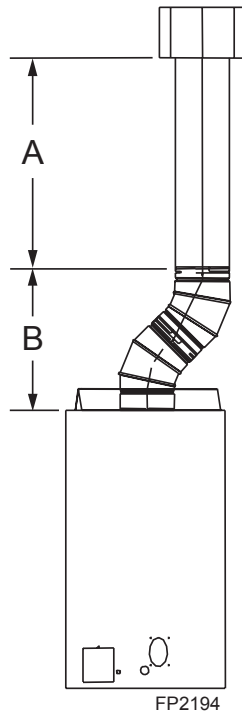
This natural vent fireplace has been tested to use 8" Class B-Vent pipe.

VERTICAL VENTING STRAIGHT UP (NO ELBOWS)

Figure 7 - Vertical Venting - Straight Up



VERTICAL VENTING WITH TWO (2) 45° ELBOWS



**Figure 8 -
Vertical Venting with Two
(2) 45° Elbows**

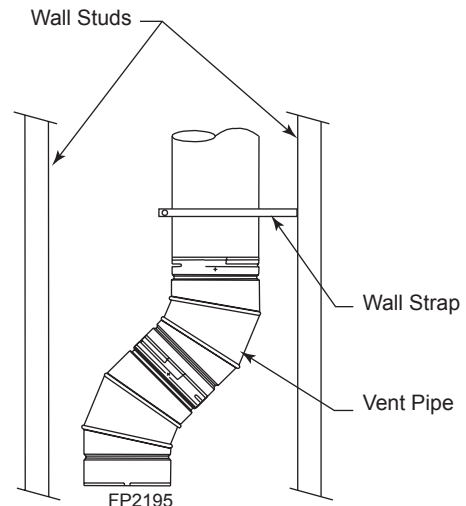
NOTE: A and B must satisfy this condition:
 $A + B < 40'$ Maximum
 $A + B > 14'$ Minimum

WARNING

Never use more than two (2) 45° elbows. When using adjustable elbows, never exceed 45°.

INSTALL VENT COMPONENTS

1. Attach the first piece of vent piping (elbows or straight pipe) to the pipe connector located above the fireplace. Secure first section of pipe to damper collar with three (3) screws.
2. Continue to add vent components. Be certain that each section is locked properly.
3. Where necessary, add support brackets. *Figure 9.* Incline runs must be supported every 3'. Vertical runs must be supported every 8', using wall straps. Slip wall straps loosely on to pipe. Attach straps to framing members using nails or screws. Tighten nut/bolt to secure pipe.



**Figure 9 -
Install Pipe Supports**

WARNING

Always maintain minimum clearances around vent systems. The minimum clearances to combustibles is 1" around vent pipe. For ceiling firestops and vertical sections of vent pipe a 1" minimum clearance all around the pipe must be maintained. Do not pack the open air spaces with insulation or other materials. This could cause high temperatures and may present a fire hazard.

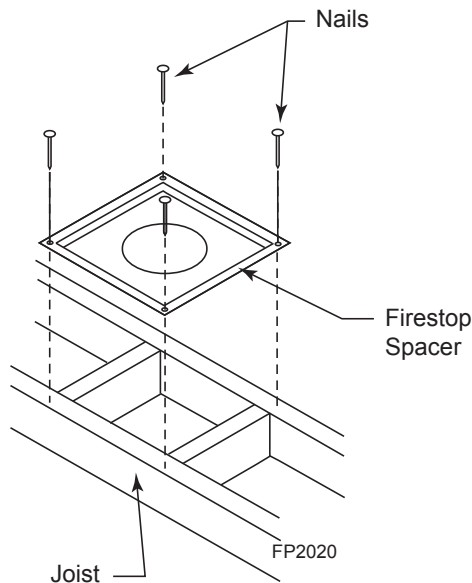
FIRESTOP INSTALLATION

A ceiling firestop must be installed if the vent passes through a ceiling. Refer to the instructions from the pipe manufacturer. To position firestop refer to *Figures 9 and 10*. Only one (1) firestop required per frame.

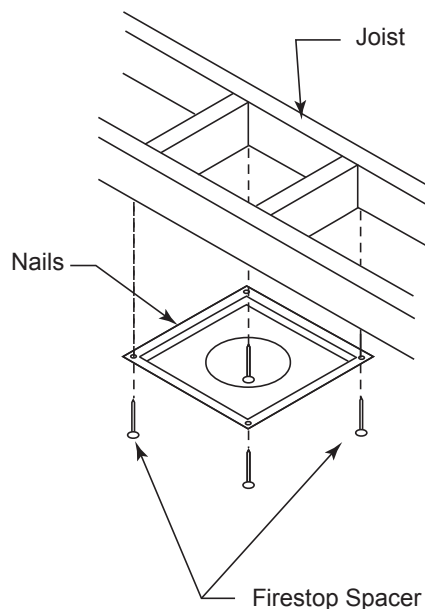
NOTE: A firestop is not required at the roof.

LOCATE and INSTALL FIRESTOP

1. For ceiling firestops, position a plumb bob over the center of the vertical pipe to spot a hole through which the pipe will penetrate.
2. Drill a hole through this center point and check for obstructions (i.e. wiring or plumbing).
3. Reposition the fireplace and vent system, if necessary, to accommodate ceiling joists or obstructions.
4. Cut an 11" x 11" hole through the ceiling, using the center point.
5. Frame the hole with framing lumber the same size as the ceiling joists. Position firestop. If attic is above, mount firestop on top of framing. *Figure 10*. If room is above, mount firestop on the bottom of framing. *Figure 11*. Secure with nails or screws.
6. Run vent through firestop.



**Figure 10 -
Install Firestop in Attic**



**Figure 11 -
Install Firestop in Ceiling**

NOTICE

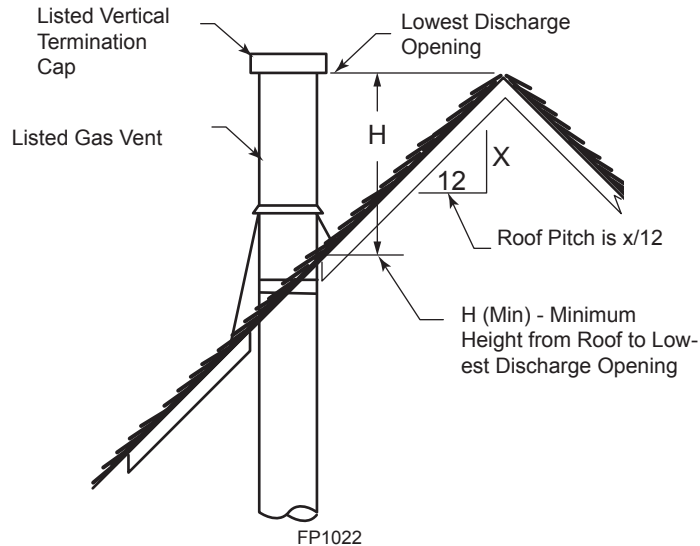
When installing in a chase, you should insulate the chase as you would the outside walls of your home. This is especially important in cold climates. Insulation should be considered a combustible material. Maintain proper clearances to all combustible materials.

NOTICE

Treatment of firestops and construction of the chase may vary from building type to building type. These instructions are not substitutes for the requirements of local building codes. You must follow all local building codes.

VERTICAL TERMINATION

Major building codes specify a minimum vent height above the rooftop depending on the pitch of the roof. Refer to *Figure 12* for minimum heights, provided the termination cap is at least 8' from a vertical wall and 2' below a horizontal overhang. Trees, buildings, adjoining roof lines and adverse wind conditions may require taller chimneys than what is shown.



Roof Pitch	H Min. (ft)
Flat to 6/12	1'
6/12 to 7/12	1'3"
Over 7/12 to 8/12	1'6"
Over 8/12 to 9/12	2'
Over 9/12 to 10/12	2'6"
Over 10/12 to 11/12	3'3"
Over 11/12 to 12/12	4'
Over 12/12 to 14/12	5'
Over 14/12 to 16/12	6'
Over 16/12 to 18/12	7'
Over 18/12 to 20/12	7'6"
Over 20/12 to 21/12	8'

NOTE: Vertical termination must be at least 8' from vertical wall.

Figure 12 -
Minimum Vent Height for Various Roof Pitches

LOCATE AND INSTALL VERTICAL TERMINATION

NOTE: When working on the floor, cover the opening of the installed vent pipe below to prevent debris falling in.

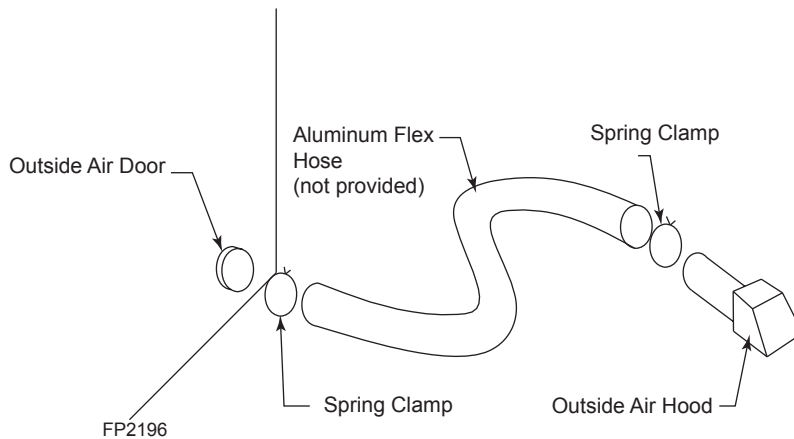
1. Locate and mark the vent center point on the underside of the roof, and drive a nail through the center joint.
2. The size of the roof hole framing dimensions depends on the pitch of the roof.
3. Cut and frame the roof hole.
4. Continue to install vent sections through the roof hole until reaching the appropriate distance above the roof.
5. Attach a flashing to the roof using nails, and use a non-hardening mastic around the edges of the flashing base when it meets the roof.
6. Attach a storm collar over the flashing joint to form a watertight seal. Place non-hardening mastic around the joint, between the storm collar and the vertical pipe.
7. Attach termination per pipe manufacturer's instructions.

WARNING

To operate this appliance, the outside air kit **MUST** be installed and operational. Operation without the outside air kit may result in high temperature on combustible materials and possible spillage of combustion product into the living area.

OUTSIDE AIR KIT INSTALLATION

1. Attach aluminum flexible hose to outside air door on the appliance, securing it with a spring clamp.
2. Cut a hole through outside wall, place outside air hood in hole and secure with sealant.
3. Attach other end of flex hose to outside air hood, securing it with a spring clamp.



**Figure 13 -
Outside Air Kit Installation**

CHECK GAS TYPE

Use proper gas type for the fireplace you are installing. If you have conflicting gas types, do not install fireplace. See dealer where you purchased the fireplace for proper fireplace for your gas type.

INSTALLING GAS PIPING TO FIREPLACE LOCATION

INSTALLATION ITEMS NEEDED

Before installing, make sure you have the items listed below:

- External regulator (supplied by installer)
- Tee Joint
- Piping (check local codes)
- Pipe wrench
- Sealant (resistant to propane/LP gas)
- Test gauge connection*
- Sediment trap (optional but recommended)
- Approved flexible gas line with gas connector (if allowed by local codes - not provided)

*A CSA design-certified equipment shutoff valve with 1/8" NPT tap is an acceptable alternative to test gauge connection. Purchase the CSA design-certified equipment shutoff valve from your dealer.

For propane/LP connections only, the installer must supply an external regulator. The external regulator will reduce incoming gas pressure. You must reduce incoming gas pressure to between 11 and 13 inches of water. If you do not reduce incoming gas pressure, burner system regulator damage could occur. Install external regulator with the vent pointing down as shown in *Figure 14*. Pointing the vent down protects it from freezing rain or sleet.

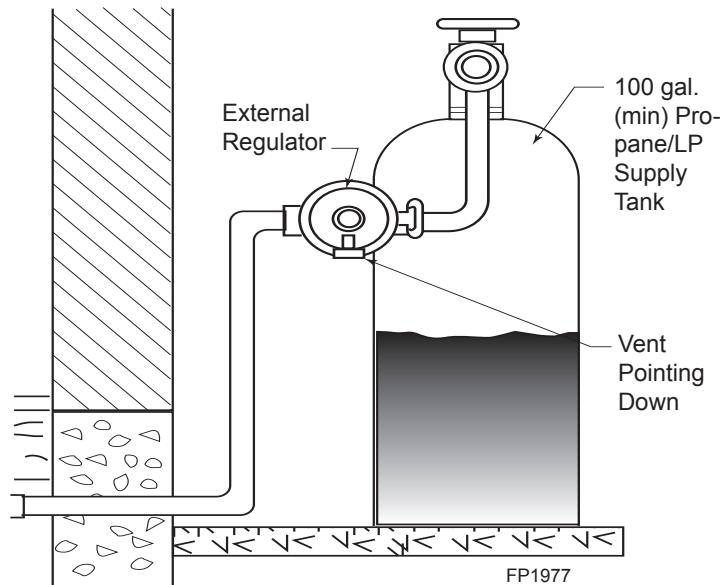


Figure 14 - External Regulator with Vent Pointing Down (Propane/LP Only)

WARNING
A qualified installer or service person must connect appliance to gas supply. Follow all local codes.

CAUTION
For propane/LP units, never connect fireplace directly to the propane/LP supply. This burner system requires an external regulator (not supplied). Install the external regulator between the burner system and propane/LP supply.

CAUTION
Use only new black iron or steel pipe. Internally tinned copper or copper tubing can be used per National Fuel Code, section 2.6.3, providing gas meets hydrogen sulfide limits, and where permitted by local codes. Gas piping system must be sized to provide minimum inlet pressure (listed on data plate) at the maximum flow rate (BTU/hr). Undue pressure loss will occur if the pipe is too small.

WARNING
External regulators may be necessary for natural gas. One- or two-pound systems will damage this appliance and may cause fire hazard.

When using copper or flex connectors use only fittings approved for gas connections. The gas control inlet is 3/8" NPT.

WARNING

Only persons licensed to work with gas piping may make the necessary gas connections to this appliance.

CAUTION

A manual shut-off valve must be installed upstream of the appliance. Union tee and plugged 1/8" NPT pressure tapping point should be installed upstream of the appliance. *Figure 15*

NOTE: The gas line connection may be made using 1/2" rigid tubing or an approved flex connector. Since some municipalities have additional local codes, it is always best to consult your local authorities and the current edition of the National Fuel Gas Code ANSI Z223.1/NFPA 54. In Canada CSA-B149 (1 or 2) Installation Code.

A listed manual shut-off valve must be installed upstream of the appliance. Union tee and plugged 1/8" NPT pressure tapping point should be installed upstream of the appliance. *Figure 15*

IMPORTANT: Install main gas valve (equipment shut-off valve) in an accessible locations. The main gas valve is for turning on or shutting off the gas to the fireplace.

Check your building codes for any special requirements for locating equipment shut-off valve to fireplaces.

Apply pipe joint sealant lightly to male threads. This will prevent excess sealant from going into pipe. Excess sealant in pipe could result in clogged burner system valves.

We recommend that you install a sediment trap/drip leg in supply line as shown in *Figure 15*. Locate sediment trap/drip leg where it is within reach for cleaning. Install in piping system between fuel supply and burner system. Locate sediment trap/drip leg where trapped matter is not likely to freeze. A sediment trap traps moisture and contaminants. This keeps them from going into the burner system gas controls. If sediment trap/drip leg is not installed or is installed wrong, burner system may not run properly.

CAUTION

Use pipe joint sealant that is resistant to liquid petroleum (LP) gas.

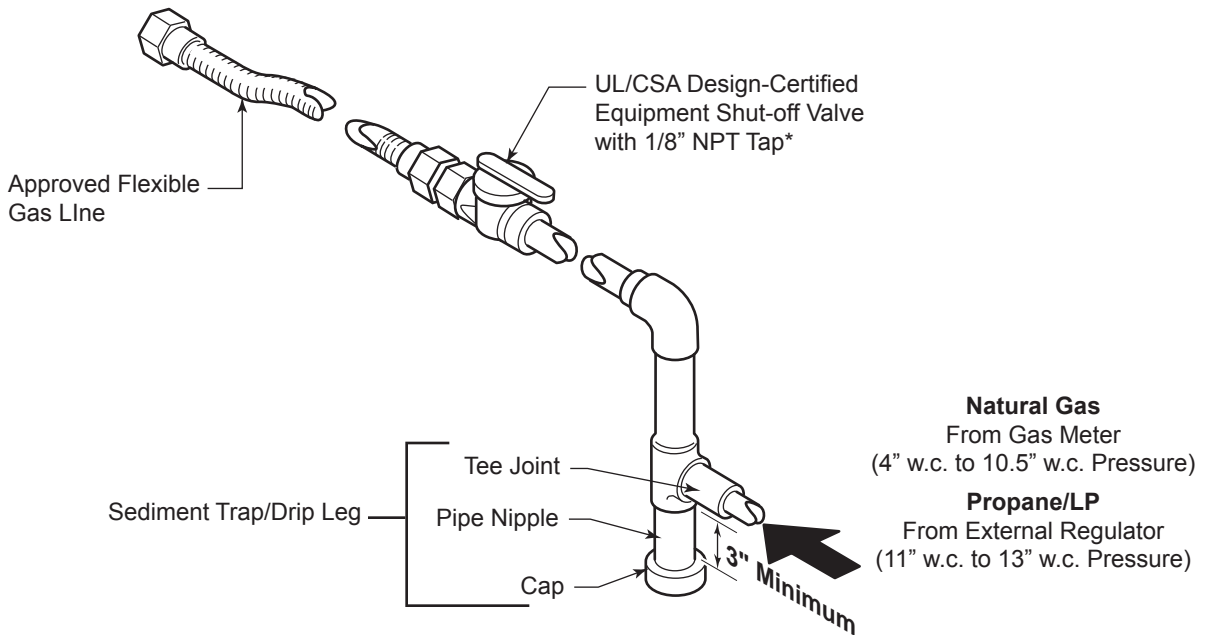
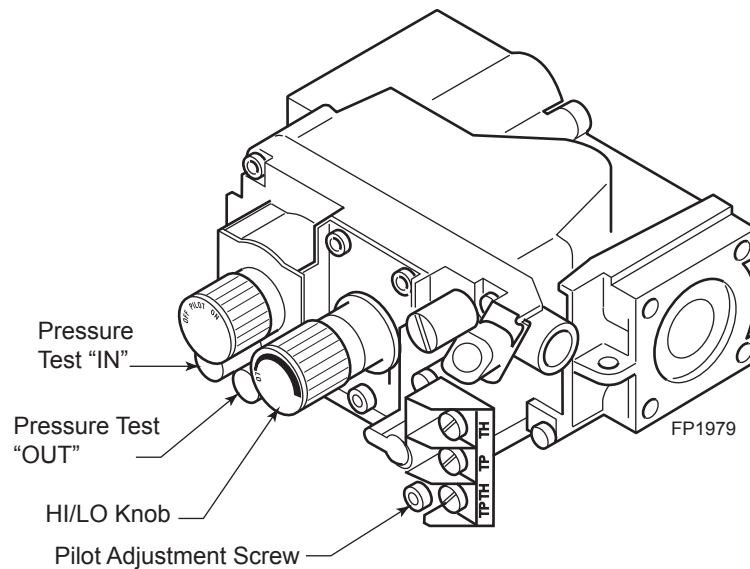


Figure 15 - Gas Connection

1. Check gas type. The gas supply must be the same as stated on the appliance's rating decal. If the gas supply is different from the fireplace, **STOP!** Do not install the appliance. Contact your dealer immediately.
2. To ease installation, a 30" (762 mm) flex line with manual shut-off valve has been provided with this appliance. Install and attach 1/2" gas line onto shut-off valve.
3. After completing gas line connection, purge air from gas line and test all gas joints from the gas meter to the fireplace for leaks. Use a solution of 50/50 water and soap or a gas sniffer.
4. To adjust flame height, turn HI/LO knob to HI to get maximum pressure to burner. Turn HI/LO knob to LO to get minimum pressure.
5. To check gas pressures at valve, turn captured screw counterclockwise 2 or 3 turns and then place tubing to pressure gauge over test point. Turn unit to high. *Figure 16*. After taking pressure reading, be sure and turn captured screw clockwise firmly to reseal. Do not over torque. Check test points for gas leaks.



**Figure 16 -
Gas Pressure Check at Gas Valve**

WARNING

Do not use open flame to check for gas leaks.

ELECTRICAL WIRING

WARNING

Electrical connections should only be performed by a qualified, licensed electrician. Main power must be off when connecting to main electrical power supply or performing service. All wiring shall be in compliance with all local, city and state codes. The appliance, when installed, just be electrically grounded in accordance with local codes, or in the absence of local codes, with the National Electrical Code ANSI/NFPA 70 (latest edition) and Canadian Electrical Code, CSA C22.1.

CAUTION

Label all wires before disconnecting when servicing controls. Wiring errors can cause improper and dangerous operation.

Verify proper operation after servicing.

REMOTE WALL MOUNTED SWITCH

A remote wall switch and up to fifteen (15) feet of 18 Ga. wire may be used with this appliance. Attach the wall switch in a junction box at the desired location on the wall. Do not extend beyond the wall switch wire length provided.

NOTE: *Extended lengths of wire may cause the fireplace not to function properly. Longer length of wire is permitted if the wire is made out of larger gauge (diameter) wire. Always check with local codes.*

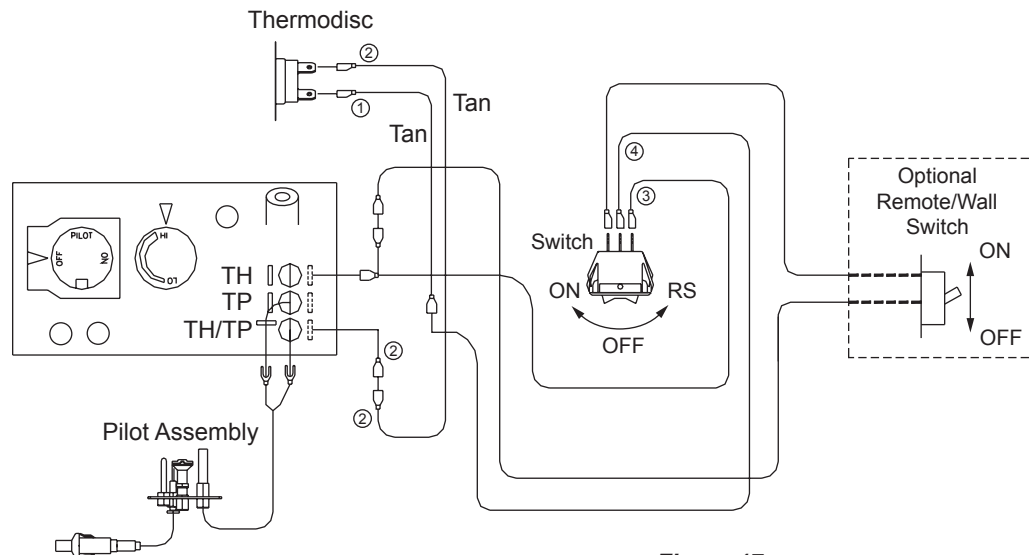


Figure 17 - Electrical Wiring

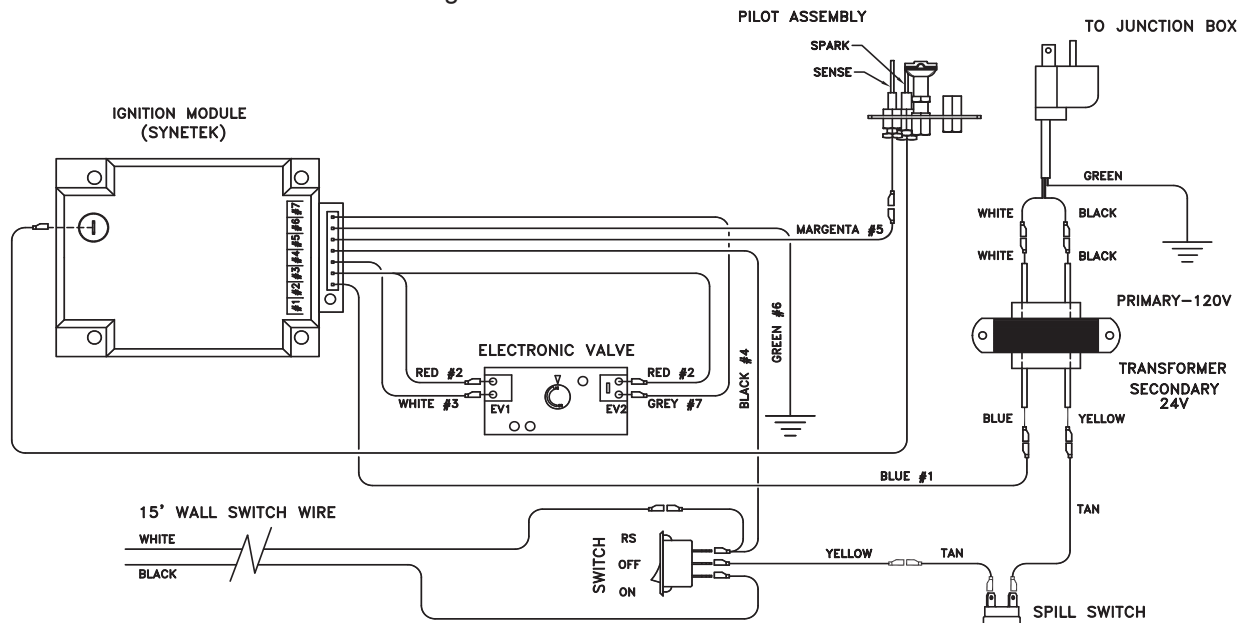
WARNING

Do not connect wall switch to AC (110 V) circuit.

ELECTRONIC PILOT IGNITION WIRING

Pilot must be lit and the valve control knob turned to the “ON” position. Meter leads must be connected to the TP and TH/TP terminals on the control valve.

- Turn RS-ON-OFF switch to the “ON” position.
 - If meter is reading more than 175 millivolts and the main burner does not come on, then replace control valve.
 - If meter is reading less than 175 millivolts, refer to Troubleshooting section of this manual to determine the cause of the low reading.
- Turn RS-ON-OFF switch to the “RS” position and wall switch to “ON”.
 - If meter is reading more than 175 millivolts and the main burner does not come on, then replace control valve.
 - If meter is reading less than 175 millivolts, refer to Troubleshooting section of this manual to determine the cause of the low reading.



**Figure 18 -
Electronic Ignition System Wiring Diagram**

FP2027

REMOTE WALL SWITCH

Position the wall switch. Do not extend beyond the 15' of wire.

OPTIONAL DC REMOTE SYSTEMS

These instructions replace the section entitled Hearth Mount in the Millivolt hand held remote instructions supplied with the remote.

1. Plug in remote connector wire to remote receiver.
2. Connect the wire terminal from the remote receiver. This replaces the 15' wall switch connection to the switch. *Figure 18*
3. Mount remote control receiver at junction box (for your wall switch).

NOTE Remote receiver must be mounted outside the appliance due to high temperatures inside the chamber. This will prevent failures and longer battery life.

WARNING Do not connect 110-120V AC to the Remote Wall Switch. The appliance will malfunction or destroyed.

WALL FINISHING

Combustible Materials: Materials made of, or surfaced with wood, compressed paper, plant fibers or other materials that are capable of being ignited and burned. Such materials are considered combustible even though flame proof, fire retardant, treated or plastered.

Noncombustible Materials: Materials which will not ignite and burn. Such materials are those consisting entirely of steel, iron, brick, tile, concrete, slate, glass, marble or combinations thereof, or have a UL Fire rating of Zero (0).

High Temperature Sealant Material: Sealant that will withstand high temperatures; General Electric RTV103 or equivalent.

FINISHING THE FIREPLACE FLUSH WITH A WALL

When finishing the face of the fireplace, combustible material may be brought up to the side or top edge of the fireplace, but must never overlap the black metal face. The black metal face may be covered with noncombustible material only. After applying the finishing material, a noncombustible sealant, 1/8" minimum, should be used to close off any gaps at the top and sides between the fireplace and the finishing to prevent cold air leaks. Refer to *Page 10, Figure 6*, for allowable locations for combustible materials.

ROCK WOOL PLACEMENT

Rock wool should be evenly covering the burner from front to back. The rock wool should be separated into chunks about the size of a nickel. The bag supplied has an excess of rock wool. The remaining may be used as filler over time.

LAVA ROCK PLACEMENT

Sprinkle a thin layer of lava rock on the floor of the inner chamber. Do not pile up in any area. It should be placed in a single layer only around but not on any portion of the burner.

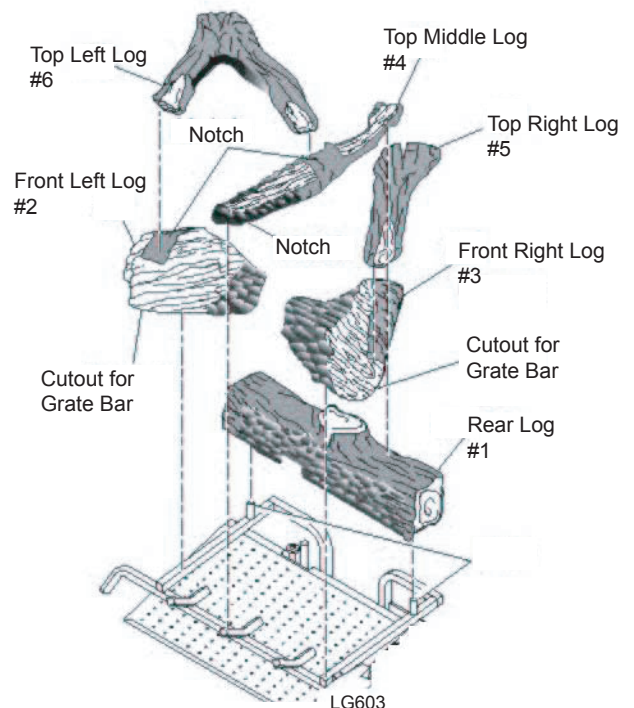
WARNING

Do not sprinkle the lava rock or ember chunks on top of the burner. This may cause potential sooting, glass breakage and a fire hazard.

LOG PLACEMENT

VDY24/18D3R

1. Align pins on bottom of Rear Log #1 with pins on grate bar and place on grate.
2. Place Front Left Log #2 on left front of grate bar aligning cutout in bottom of log with grate bar.
3. Place Front Right Log #3 on right front side of grate bar aligning cutout in bottom of log with grate bar. Make sure Log #3 touches Log #1.
4. Place back end of Top Middle Log #4 on Log #1. Press the side of Log #4 up against raised area of Log #1. Align notch in front end of Log #4 with grate bar.
5. Rest Top Right Log #5 on Log #3.
6. Align Top Left Log #6 with notches on Log #2 and Log #4.



**Figure 19 -
Log Placement**

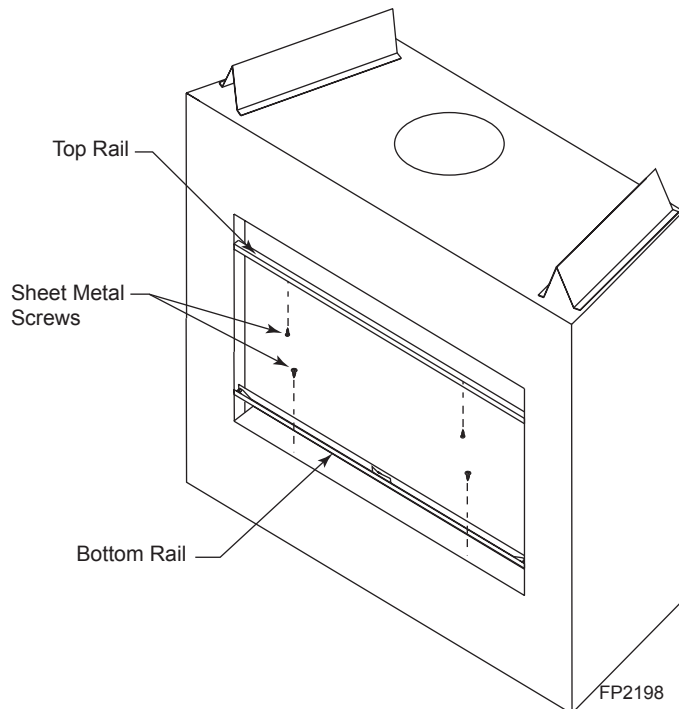
GLASS BI-FOLD DOOR INSTALLATION

1. Remove and discard the two (2) screws that secure the C-Channel below the top opening of the fireplace.
2. Attach bottom rail to unit with two (2) sheet metal screws. *Figure 20*
3. Attach top rail to unit with two (2) sheet metal screws. *Figure 20*
4. Place bottom metal door pin in bottom spring latch. Rotate top of door into top spring latch. *Figure 21*. Repeat Step 3 for other door.

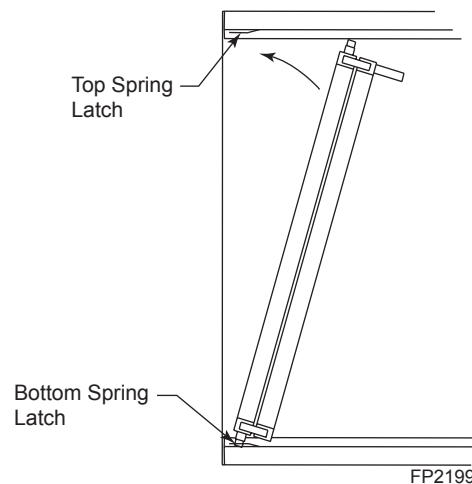
WARNING

Glass doors must be installed on all Propane/LP units and operated in the closed position to eliminate any potential for soot spillage into the room.

When installing a natural gas unit with glass door option, the unit must be operated with glass doors completely opened or completely closed.



**Figure 20 -
Door Rail Installation**



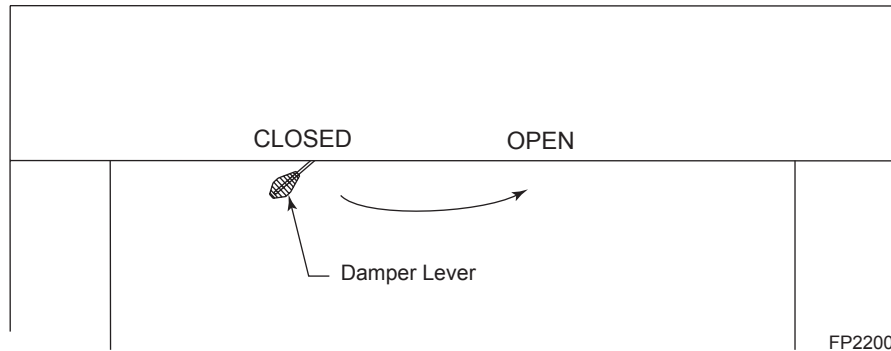
**Figure 21 -
Glass Door Installation**

NOTE: Follow instructions located inside package.

DAMPER OPERATION

1. When damper lever is all the way to the left and locked into position, the damper system is closed. *Figure 22*
2. Pull damper lever forward and unlock from closed position by swinging damper lever to the right. *Figure 22*
3. Swing damper lever to the right, forcing into the locked position, to open damper system. *Figure 22*

NOTE: Remove damper instruction tag before operating the unit.



**Figure 22 -
Damper Operation**

NOTE **For Massachusetts Residents Only:** Installation of this vented gas fireplace in the Commonwealth of Massachusetts requires the damper to be permanently removed or welded into the fully open position. In addition, a naturally vented gas fireplace may not be installed in a bedroom or bathroom in the Commonwealth of Massachusetts.

WARNING Damper must be in open position when appliance main burner is operating. The damper system must be LOCKED into the OPEN position during operation. If damper is not open, the appliance will shut down at the pilot. Refer to Lighting Instructions if this occurs. If damper system is not locked into the open position, the appliance may cause some spillage into the living area before the temperature switch can shut the pilot off. Do not install a damper device to the appliance. Only use damper device that comes with the unit.

HI-TEMPERATURE CUT OFF DISC

This unit is equipped with a shut off disc that helps prevent spillage due to a down draft. It also helps prevent operation of the unit with damper closed. The Hi Temp switch is located on the upper left corner of the fireplace opening. **DO NOT OPERATE THE FIREPLACE WITH THE SWITCH BYPASSED.**

BEFORE LIGHTING THE FIREPLACE

- Read the IMPORTANT SAFETY INFORMATION section at the beginning of this manual.
- Before lighting, check the fireplace for possible gas leaks.
- Before lighting, check for possible obstructions that could be blocking the vent termination or the front louver.
- Any component that is found to be faulty must be replaced with an approved component. Tampering with the fireplace components is dangerous and voids all warranties.
- A small amount of air may be present in the gas line. It will take a few minutes for the lines to purge. Once the purging is complete, the fireplace will light and will operate normally.
- During the initial purging, never allow the gas valve control knob to remain depressed in the pilot position without pushing the ignitor button once every second.
- Subsequent lighting of the fireplace will not require this purging of air from the gas lines, unless the gas valve has been shut-off for a long period.

LIGHTING THE FIREPLACE

You may notice the following:

- A slight odor
During manufacturing, fabricating and shipping, various components of this fireplace are treated with certain oils, film or bonding agents. These chemicals are not harmful but may produce annoying smoke and smells as they are burned off during the initial operation of the fireplace. Operate the appliance 2 to 3 hours at the highest setting to burn off all the oils, films, etc.
- Fogging on bi-fold door glass
For the first few minutes after each lighting, vapor may condense and fog the glass. This condensation will disappear in a few minutes.
- Noise from the fireplace
This is due to metal expanding and contracting as it heats up and cools down, similar to the sound produced by a furnace or heating duct.
- Flame appearance
It will take about 15 to 30 minutes for the flames to turn yellow and some portions of the logs to glow.

FOR YOUR SAFETY READ BEFORE LIGHTING**WARNING**

If you do not follow these instructions exactly, a fire or explosion may result causing property damage, personal injury or loss of life.

- A. This appliance is equipped with a pilot which must be lit with an ignitor while following these instructions exactly.
- B. BEFORE OPERATING smell all around the appliance area for gas. Be sure to smell next to the floor because some gas is heavier than air and will settle on the floor.

WHAT TO DO IF YOU SMELL GAS:

- Turn off all gas to the appliance.
 - Open windows.
 - Do not attempt to light any appliance.
 - Do not touch any electric switch; do not use any phone in your building.
 - Immediately call your gas supplier from a neighbor's phone. Follow the gas supplier's instructions.
 - If you cannot reach your gas supplier, call the fire department.
- C. Use only your hand to push in, or turn the gas control knob. Never use tools. If the knob will not push in or turn by hand, don't try to repair it. Call a qualified service technician. Force or attempted repair may result in a fire or explosion.
- D. Do not use this appliance if any part of it has been under water. Immediately call a qualified service technician to inspect the appliance and to replace any part of the control system and any gas control that has been under water.

LIGHTING PILOT FOR THE FIRST TIME**INITIAL LIGHTING**

Purge air from the supply line as follows:

- Open main shut-off valve.
- Unscrew main pressure test point.
- Leave inlet test screw open until gas comes in.
- When gas is flowing, tighten inlet screw immediately.




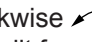
WARNING

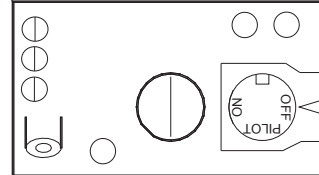
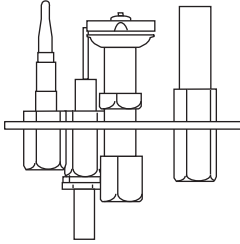
Never use an open flame to check for gas leaks.

LEAK TESTING

1. Follow the pipe from the gas supply line connection to the gas valve. Check connection for leaks with soap and water mixture.
2. Next check for gas leaks at the burner with soap and water mixture.
3. Check the pilot for gas leaks with soap and water mixture.

LIGHTING INSTRUCTIONS MILLIVOLT

- STOP!** Read the safety information before proceeding.
- Open access door on left side of floor to reveal gas valve. Locate RS-OFF-ON rocker switch on left side inner chamber.
- Turn RS-OFF-ON rocker switch to "OFF". Turn remote switch to "OFF".
- Push in gas valve knob and turn clockwise  to "OFF".
- Wait five (5) minutes to clear out any gas. Smell for gas, including near the floor. If you smell gas, **STOP!** Follow B in the safety information. If you don't smell gas, go to the next step.
- Find the pilot located under the log.
- Turn the gas valve counterclockwise  to "Pilot".
- With the control knob pushed in, push in and release the piezo ignitor button to light the pilot.
- Continue pushing the control knob in for a further 60 seconds to prevent the flame detector from shutting off the gas while the probe is warming up. Release the control knob.
- If the pilot will not stay lit after several tries, turn the gas control knob clockwise  to "OFF" and call a service technician or gas supplier.
 - If the knob does not pop out when released, stop and call a service technician or gas supplier.
- Turn knob counterclockwise  to "ON".
- After the pilot has been lit for one minute, the burner can be turned on. Turn RS-OFF-ON switch to "ON" or turn RS-OFF-ON switch to "RS" and remote switch to "ON".



TO TURN OFF GAS

- Turn RS-OFF-ON rocker switch to "OFF".
- Turn off all electric power to the appliance if service is to be performed.
- Close lower door.

FOR YOUR SAFETY READ BEFORE LIGHTING**WARNING**

If you do not follow these instructions exactly, a fire or explosion may result causing property damage, personal injury or loss of life.

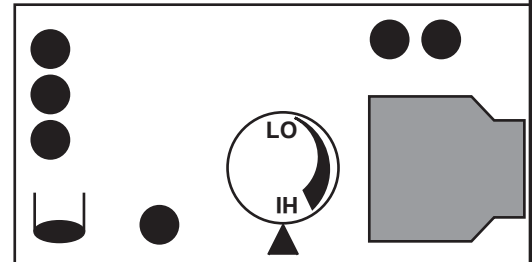
- A.** This appliance is equipped with an ignition device (Piezo) which automatically lights the pilot. Do NOT try to light the burner by hand.
- B.** BEFORE OPERATING smell all around the appliance area for gas. Be sure to smell next to the floor because some gas is heavier than air and will settle on the floor.

WHAT TO DO IF YOU SMELL GAS:

- Turn off all gas to the appliance.
 - Open windows.
 - Do not attempt to light any appliance.
 - Do not touch any electric switch; do not use any phone in your building.
 - Immediately call your gas supplier from a neighbor's phone. Follow the gas supplier's instructions.
 - If you cannot reach your gas supplier, call the fire department.
- C.** Turn off all electric power to the appliance.
- D.** Do not use this appliance if any part of it has been under water. Immediately call a qualified service technician to inspect the appliance and to replace any part of the control system and any gas control that has been under water.

LIGHTING ELECTRONIC IGN

1. **STOP!** Read the safety information above.
2. Turn switch to "OFF" position.
3. Turn off all electric power to the appliance.
4. This appliance is equipped with an ignition device which automatically lights the burner. Do not try to light the burner by hand.
5. Wait 5 minutes to clear out any gas. Then smell for gas, including near the floor. If you smell gas **STOP!** Follow "B" above. If you do not smell gas, go to the next step.
6. Turn on all electric power to appliance.
7. Turn RS-OFF-ON rocker switch to "ON".
8. If the appliance will not operate, follow the instructions *To Turn Off Gas* and call your service technician or gas supplier.



WARNING

Turn off gas before servicing fireplace. It is recommended that a qualified service technician perform these check-ups at the beginning of each heating season.

BURNER, PILOT AND CONTROL COMPARTMENT

Keep the control compartment, logs and burner areas surrounding the logs clean by vacuuming or brushing at least twice a year. Make sure the burner porting, pilot air opening and burner air openings are free of obstructions at all times.

PILOT FLAME

The flames from the pilot should be visually checked as soon as the heater is installed and periodically during normal operation. The pilot flame must always be present when the fireplace is in operation. *Figure 23*. The pilot flame has three distinct flames, one engulfing the thermopile, one engulfing the thermocouple and the other reaching to the main burner.

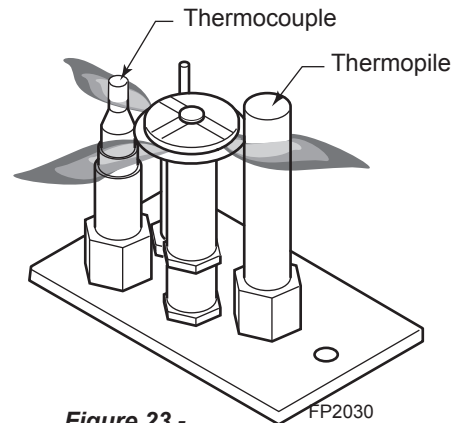
BURNER

Inspect area around the injector. Remove any lint or foreign material with a brush or vacuum.

BURNER FLAME

The flames from the burner should be visually checked as soon as the heater is installed and periodically during normal operation. In normal operation, at full rate, and after operating for about 15 to 30 minutes, the flame should be yellow and slightly taller than the rear log. *Figure 24*

NOTE: The type of installation, vent system configuration and wind effects may cause the flame patterns to vary.



**Figure 23 -
Pilot Flame**



**Figure 24 -
Burner Flame Appearance**

LG637

VENT SYSTEM

The fireplace and venting system should be inspected before initial use and at least annually by a qualified field service person. Inspect the external vent cap on a regular basis to make sure that no debris is interfering with the airflow. Inspect entire venting system to ensure proper function.

GLASS DOOR

Periodically clean the glass door as necessary. You should thoroughly clean the inside of the glass door after using the fireplace for the second or third time.

When cleaning the glass, remember:

WARNING: Never use abrasive cleaners or clean when hot. Allow glass to cool before removal. *Figure 25*

Keep children and pets a safe distance away.

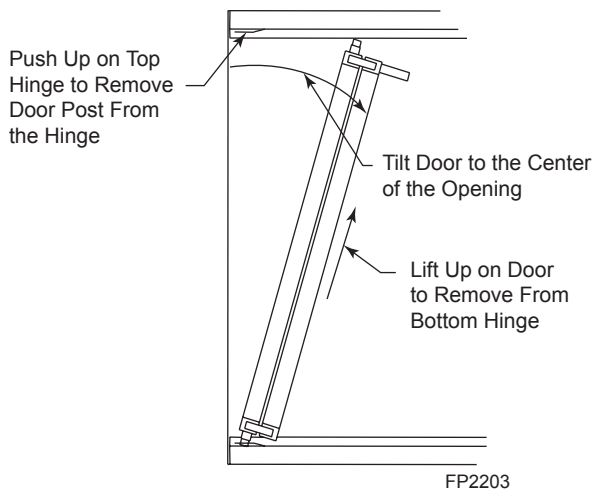
Never operate the fireplace without glass door properly secured.

Never operate the fireplace if the glass is broken.

CAUTION: Replace any glass that is chipped, cracked or broken. Replacement glass door assemblies must be supplied by MHSC.

WARNING: No substitute materials may be used.

WARNING: Handle glass door with care to avoid striking or slamming shut.



**Figure 25 -
Door Removal**

LOGS

Leave logs installed in the fireplace for cleaning. Vacuum surface of the logs with a brush attachment. If logs must be removed for cleaning, handle carefully by holding gently at each end. Gloves are recommended to prevent skin irritation from ceramic fibers. If skin becomes irritated, wash gently with soap and water. Vacuum surface of logs with brush attachment or brush logs with a soft bristle brush (i.e. clean, dry paintbrush). To place logs back in the fireplace, refer to “Log Placement”.

NOTE: Do not use cleaning fluid to clean logs.

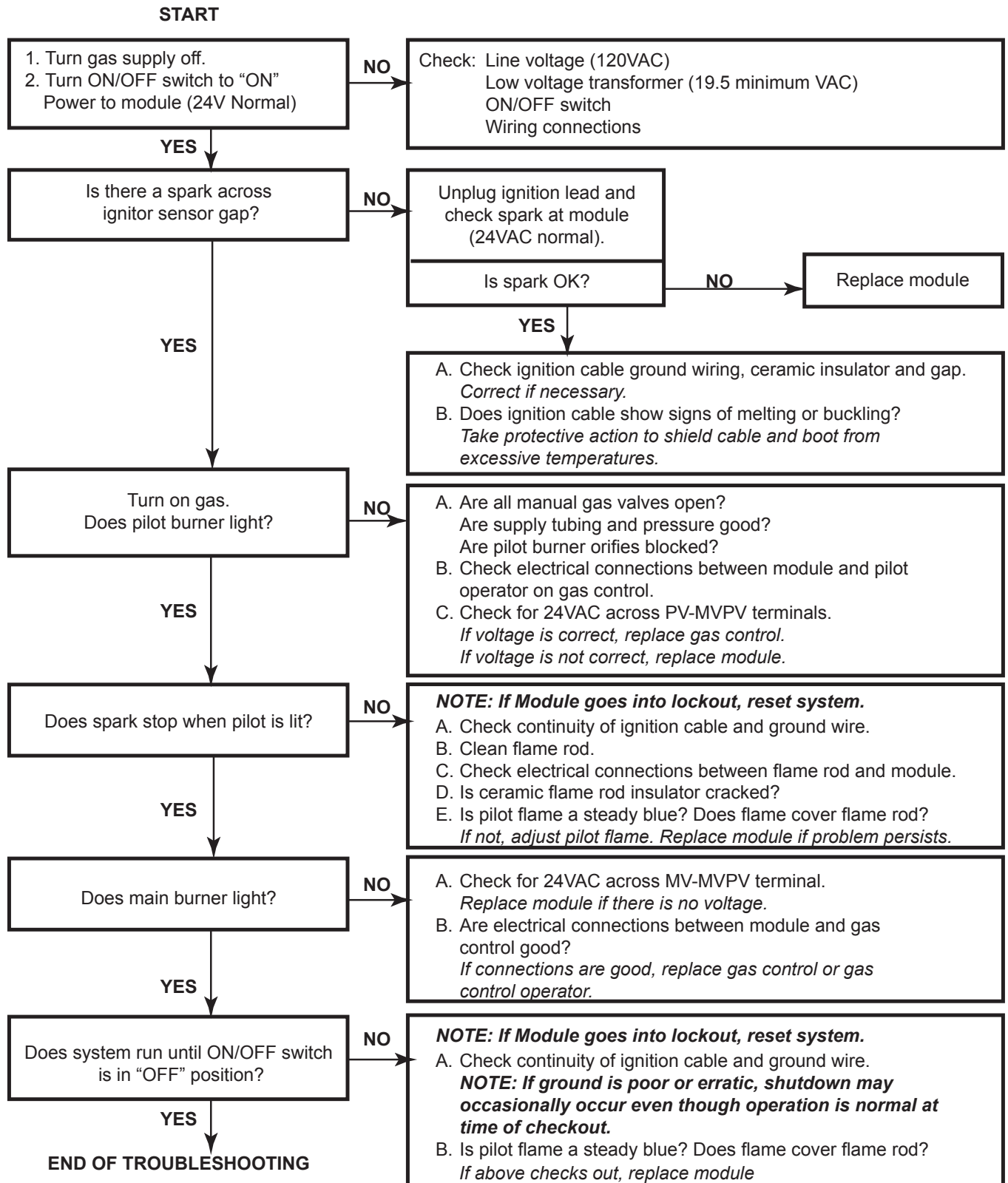
ROCK WOOL

Replace or add rock wool as required following installation instructions in the *Final Installation* section of this manual.

STANDING PILOT IGNITION

SYMPTOM	POSSIBLE CAUSE	ACTION
1. Spark igniter will not light pilot after repeated triggering of piezo.	<p>A. Wire disconnected.</p> <p>B. Defective igniter.</p> <p>C. No gas or low gas pressure.</p> <p>D. No Propane/LPG in tank.</p>	<p>A. Open door and check to make sure wire is connected to igniter.</p> <p>B. Check for spark at electrode and pilot. If no spark and electrode wire is properly connected, replace pilot assembly.</p> <p>C. Check remote/manual shut-off valve from fireplace. Low pressure can be caused by bent lines, restricted lines, low pressure line pressure. Consult with plumber or gas supplier.</p> <p>D. Check Propane/LPG tank. Refill tank.</p>
2. Pilot will not stay lit after carefully following lighting instructions.	<p>A. Defective thermocouple.</p> <p>B. Defective valve.</p>	<p>A. Check that thermocouple flame impinges on thermocouple. Clean and/or adjust pilot for maximum flame impingement. Ensure that the thermocouple connection at the gas valve is fully inserted and tight. Disconnect the thermocouple from the valve, place one millivolt lead wire on the tip of the thermocouple and the other meter lead wire on the thermocouple copper lead. Start the pilot and hold the valve knob in. If the millivolt reading is less than 15m V, replace pilot assembly.</p> <p>B. If thermocouple is producing more than 15m V, replace faulty valve.</p>
3. Pilot burning, valve knob tuned to "ON", switch is turned to "ON" or "RS", but burner will not ignite.	<p>A. Defective switch, wall switch, remote control or wire.</p> <p>B. Pilot flame too small.</p> <p>C. Defective or malfunctioning thermopile.</p> <p>D. Defective valve.</p>	<p>A. Check switch and wire for proper connection. Place jumper wires across terminals of switch. If burner comes on, replace defective switch. If the switch is OK, repeat the same procedure on remote control. If burner comes on, replace remote control. Place jumper wire across wire at gas valves (terminals marked TH and TP/TH). If burner comes on, wires are faulty or connections are bad. Replace wire.</p> <p>B. If pilot flame is not close enough to the thermopile, adjust pilot flame.</p> <p>C. Check thermopile wire connections to make sure all are tight and that the thermopile is fully inserted into pilot assembly. Check thermopile with a millivolt meter. Connect leads to TP and TP/TH terminals on the control valve. If meter reading is below 325m V, replace pilot assembly.</p> <p>D. Turn valve knob to "ON" and switch to "ON". Take a reading at the thermopile leads (TP & TP/TH) on the valve. If the meter reads greater than 175m V and the burner does not light, replace defective valve.</p>
4. Frequent pilot outage problem.	<p>A. Pilot flame may be too high or too low, causing pilot safety to drop out.</p>	<p>A. Clean and adjust the pilot flame for maximum flame impingement on thermocouple.</p>
5. The pilot and main burner extinguish while in operation.	<p>A. Inner vent pipe leaking exhaust gases back into system.</p> <p>B. Horizontal vent improperly pitched.</p> <p>C. Improper vent cap installation.</p>	<p>A. Check for flue product leak. Replace defective pipe section.</p> <p>B. Check horizontal-vent piping is running upward 1/4" per foot. Do not run the pipe level or downward.</p> <p>C. Check for proper installation and freedom from debris or blockage.</p>

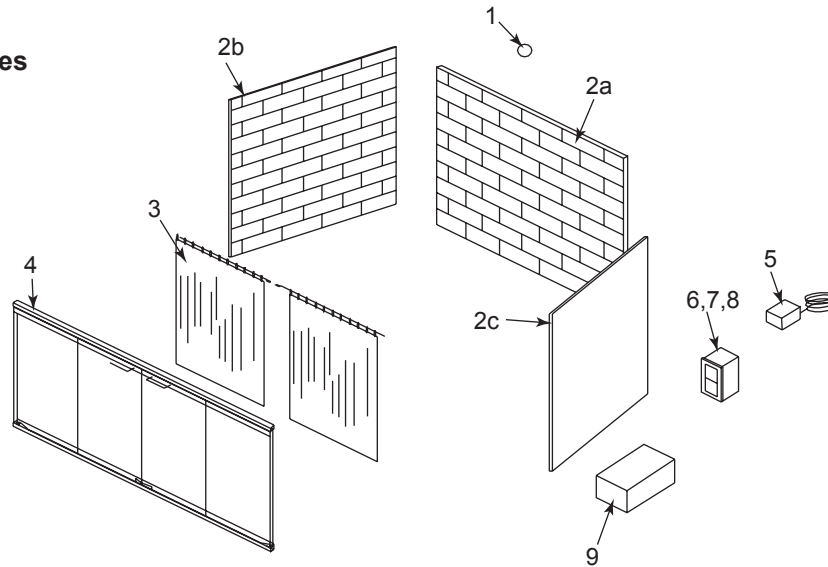
ELECTRONIC IGNITION



GENERAL TROUBLESHOOTING

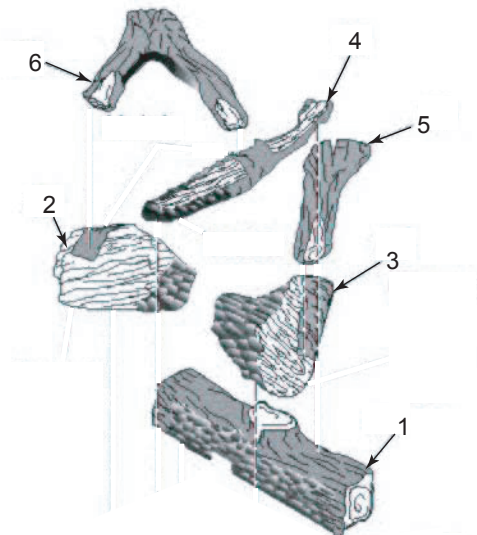
SYMPTOM	POSSIBLE CAUSE	ACTION
1. Glass soots.	A. Flame impingement on logs.	A. Install log set per instructions. Inspect the injector and air intake area. Make sure this area does not have any blockage from debris and clean. Check gas supply.
2. Poor draft due to venting.	A. Too much offset. B. Too many elbows. C. Vent height too short. D. Vent too close to roof line. E. Blockage is restricting venting capacity. F. Incorrect vent type. G. Venting has been constructed with too large or too small vent. H. More than one appliance is using one venting system.	A. Reduce offset and/or raise termination. If thermocouple is producing more than 15m B, replace faulty valve. B. Reduce number of elbows. C. Raise vent. D. Raise vent. E. Remove blockage. F. Replace with proper B-vent. G. Replace with proper size. H. Construct a single venting system for each appliance.
3. Poor draft due to termination cap.	A. Cap obstructed by a decorative enclosure. B. Cap is crushed, damaged or missing.	A. Remove or open enclosure or raise cap above it. B. Replace cap.
4. Poor draft due to ext. environment.	A. Buildings, trees, roof lines interfering with venting. B. Wind C. Vent exposed to cold chase. D. Vent exposed to cold weather.	A. Maintain proper clearances and heights to external obstructions; Be aware of overhangs. B. Use cap designed for high winds; raise venting height. C. Insulate chase. D. Enclose vent within home.
5. Poor draft due to internal environment.	A. Negative air pressure.	A. To test for negative air pressure, open a window in the room with the fireplace to see if the unit starts drafting correctly. Make sure the damper system is in the open position.
6. Unit shuts down prematurely.	A. Blockage or restriction in venting.	A. Check for and remove blockage and light pilot following lighting instructions.

**Firebox Components,
Standard and Accessories**



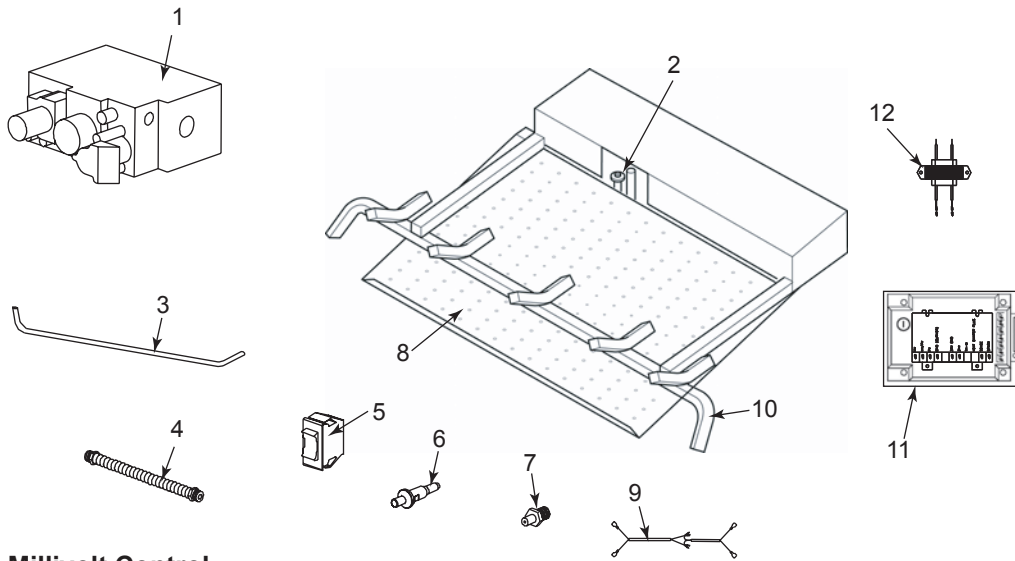
Ref.	Description	Qty.	BV4536	BV5142
1.	Hi Temperature Limit Switch	1	41D0202	41D0202
2.	Firebrick Walls (T Brown)	1 Set	FB4536W9TB	FB5142W9TB
2a.	Firebrick Center	1	41D2015	41D2016
2b.	Firebrick Left Side	1	41D2013	41D2013
2c.	Firebrick Right Side	1	41D2014	41D2014
3.	Pull Screen	1	MS	MS
4.	Bi-fold Brass/Black Door	1	BBD4536/BLD4536	BBD5142/BLD5142
5.	Manual Remote Control	1	RCM/RCB	RCM/RCB
6.	Embers	1	EMBERS	EMBERS
7.	Cinders	1	CINDERS	CINDERS
8.	Lava Rock	1	VR1000A	VR1000A
9.	Wall Switch Kit	1	MVWS	MVWS

Log Components



Ref.	Description	BV4536	BV5142
1.	Rear Log	32D2118	32D2118
2.	Front Left Log	32D2117	32D2117
3.	Front Right Log	32D2116	32D2116
4.	Top Middle Log	32D2114	32D2114
5.	Top Right Log	32D2113	32D2113
6.	Top Left Log	32D2115	32D2115

Engine Components



Standing Pilot - Millivolt Control

Ref.	Description	Qty.	BV4536NV	BV4536PV	BV5142NV	BV5142PV
1.	Gas Valve Assembly	1	26D0506	26D0507	26D0506	26D0507
2.	Pilot Assembly	1	41D0327	41D0328	41D0327	41D0328
3.	Burner Tube	1	41D0031K	41D0031K	41D0031K	41D0031K
4.	Flexhose w/Shutoff Valve	1	23D6046	23D6046	23D6046	23D6046
5.	Rocker Switch	1	41D0048	41D0048	41D0048	41D0048
6.	Piezo Igniter	1	14D0503	14D0503	14D0503	14D0503
7.	Injector	1	32D0100	32D0118	32D0100	32D0118
8.	Burner Assembly	1	41D0500K	41D0501K	41D0500K	41D0501K
9.	Wire Assembly	1	41D0201	41D0201	41D0201	41D0201
10.	Grate Weld Assembly	1	41D1001K	41D1001K	41D1001K	41D1001K

Conversion Kits (not shown)

	Conversion NG to LP	1	SNPK3642	--	SNPK3642	--
	Conversion LP to NG	1	--	SPNK3642	--	SPNK3642

Electronic Ignition Control

Ref.	Description	Qty.	BV4536NE	BV4536PE	BV5142NE	BV5142PE
1.	Gas Valve Assembly	1	37D0016	37D0017	37D0016	37D0017
2.	Pilot Assembly	1	54D2004	54D2005	54D2004	54D2005
3.	Burner Tube	1	41D0031K	41D0031K	41D0031K	41D0031K
4.	Flexhose w/Shutoff Valve	1	23D6046	23D6046	23D6046	23D6046
5.	Rocker Switch	1	41D0048	41D0048	41D0048	41D0048
6.	Piezo Igniter	n/a	--	--	--	--
7.	Injector	1	32D0100	32D0018	32D0100	32D0118
8.	Burner Assembly	1	41D0500K	41D0501K	41D0500K	41D0501K
9.	Wire Assembly	1	54D2007	54D2007	54D2007	54D2007
10.	Grate Weld Assembly	1	41D1001K	41D1001K	41D1001K	41D1001K
11.	Ignition Module	1	37D0325	37D0325	37D0325	37D0325
12.	Transformer	1	37D0027	37D0027	37D0027	37D0027

Conversion Kits (not shown)

	Conversion NG to LP	1	SNPK3642E	--	SNPK3642E	--
	Conversion LP to NG	1	--	SNPK3642E	--	SNPK3642E

LIMITED LIFETIME WARRANTY POLICY

LIFETIME WARRANTY

The following components are warranted for life to the original owner, subject to proof of purchase; Firebox, Combustion Chamber, Heat Exchanger, Grate and Stainless Steel Burners.

FIVE YEAR WARRANTY

The following components are warranted for five (5) years to the original owner, subject to proof of purchase; Ceramic Fiber Logs.

BASIC WARRANTY

MHSC warrants the components and materials in your gas appliance to be free from manufacturing and material defects for a period of two (2) years from date of installation. After installation, if any of the components manufactured by MHSC in the appliance are found to be defective in materials or workmanship, MHSC will, at its option, replace or repair the defective components at no charge to the original owner. MHSC will also pay for reasonable labor costs incurred in replacing or repairing such components for a period of two (2) years from date of installation. Any products presented for warranty repair must be accompanied by a dated proof of purchase.

This Limited Lifetime Warranty will be void if the appliance is not installed by a qualified installer in accordance with the installation instructions. The Limited Lifetime Warranty will also be void if the appliance is not operated and maintained according to the operating instructions supplied with the appliance, and does not extend to (1) firebox/burner assembly damage by accident, neglect, misuse, abuse, alterations, negligence of others, including the installation thereof by unqualified installers, (2) the cost of removal, reinstallation or transportation of defective parts on the appliance, or (3) incidental or consequential damage. All service work must be performed by an authorized service representative.

This warranty is expressly in lieu of other warranties, express or implied, including the warranty of merchantability of fitness for purpose and of all other obligations or liabilities. MHSC does not assume for it any other obligations or liabilities in connection with sale or use of the appliance. In states that do not allow limitations on how long an implied warranty lasts, or do not allow exclusion of indirect damage, those limitations of exclusions may not apply to you. You may also have additional rights not covered in the Limited Lifetime Warranty.

MHSC reserves the right to investigate any and all claims against the Limited Lifetime Warranty and decide upon method of settlement.

IF WARRANTY SERVICE IS NEEDED...

1. Contact your supplier. Make sure you have your warranty, your sales receipt and the model/serial number of your MHSC product.
2. DO NOT ATTEMPT TO DO ANY SERVICE WORK YOURSELF.

MHSC

149 Cleveland Drive • Paris, Kentucky 40361
www.mhsc.com