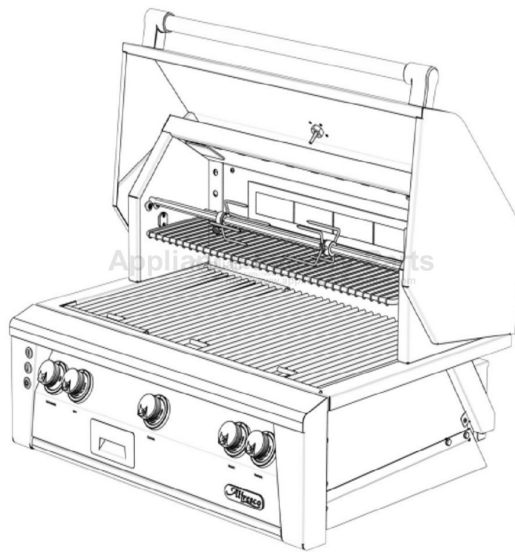


This Owner's Manual is provided and hosted by [Appliance Factory Parts](#).



# Alfresco ALXE36 Owner's Manual

[Shop genuine replacement parts for Alfresco ALXE36](#)

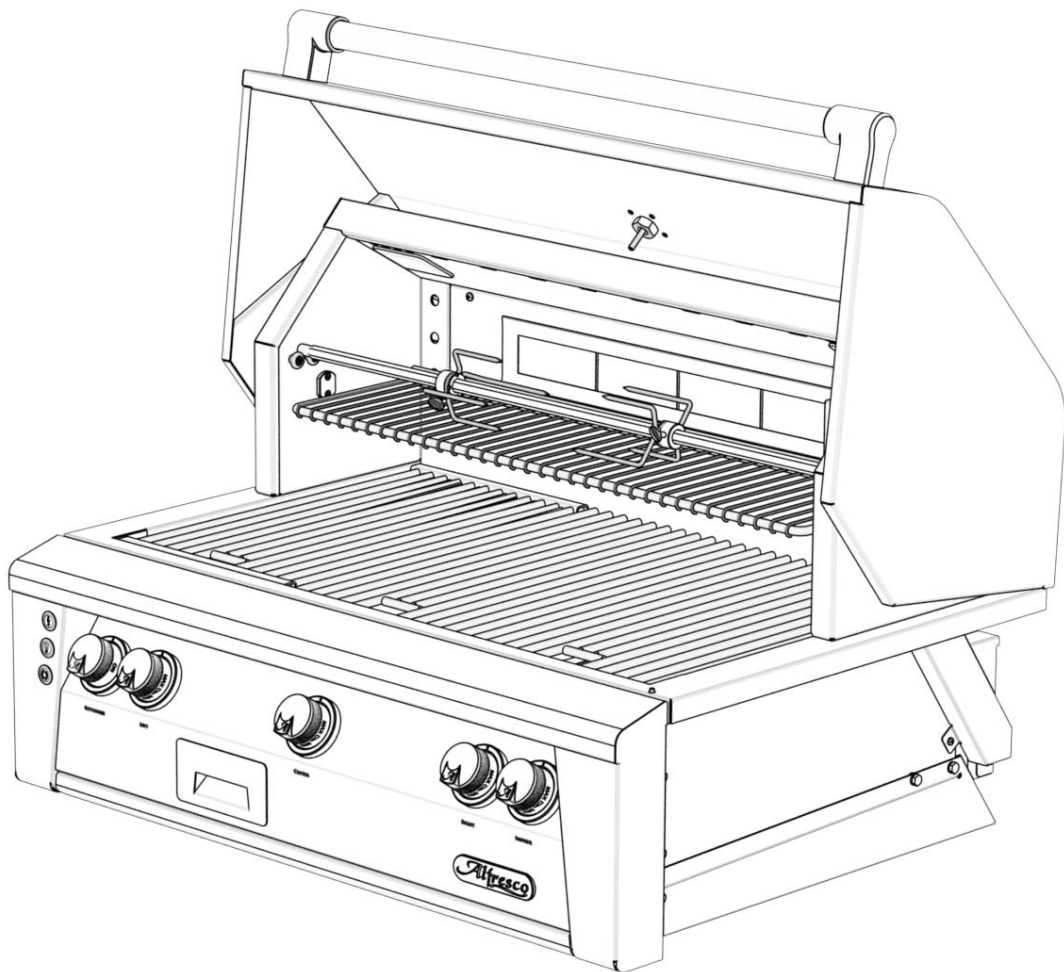


[Find Your Alfresco Grill Parts - Select From 126 Models](#)

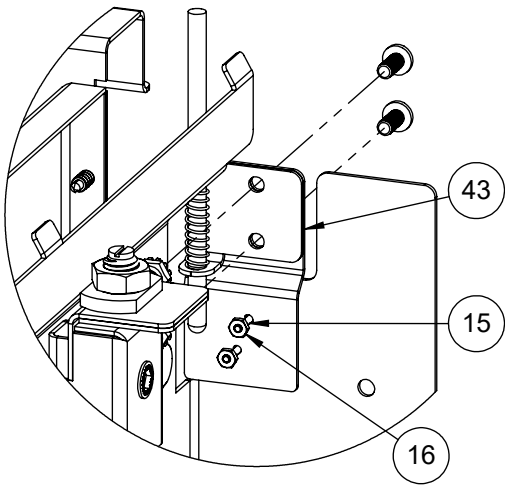
----- Manual continues below -----

# Alfresco™

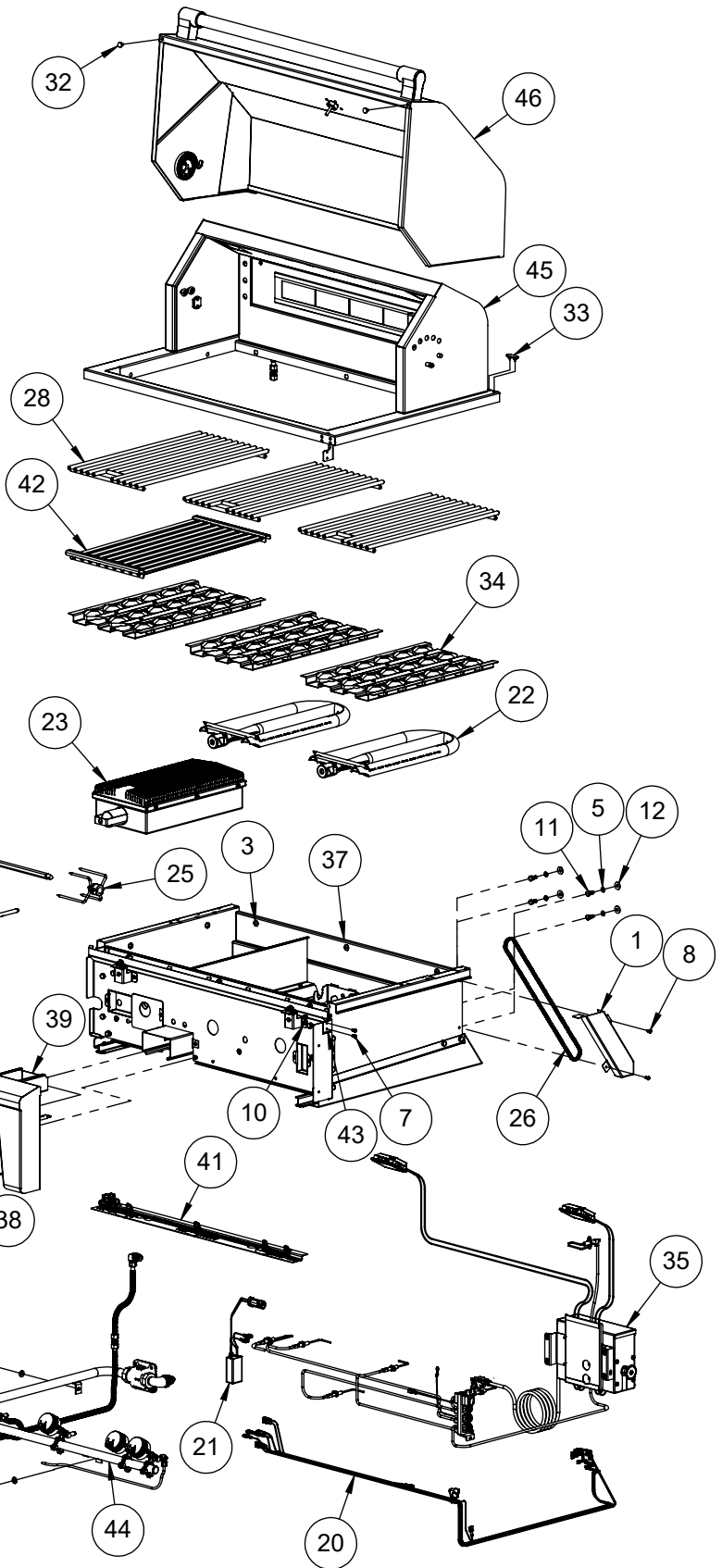
Open Air Culinary Systems



***ALXE-36 & 36SZ Parts Manual***  
***Serial Numbers 18-00000 forward***



DETAIL OF HOOD SWITCH MECHANISM  
 FASTENERS (15) & (16) ARE FOR  
 ATTACHING THE SWITCH 210-0626  
 SEE ELECTRICAL COMPONENTS



NOTE:

SEARZONE™ BURNER (23) AND GRILL (42) USED ON ALXE-36SZ

OTHERWISE, ONLY BURNER (22), GRILL (28) AND BRIQUETTE (34) USED ON ALXE-36

| ITEM | PART NUMBER | DESCRIPTION   | QTY |
|------|-------------|---|-----|
| 1    | 100-1877    | ROTISSERIE CHAIN COVER  | 1   |
| 2    | 130-3069    | FRONT PANEL   | 1   |
| 3    | 200-0057    | SCREW 1/4-20 X 1/2 - TRUSS HEAD - PHILLIPS                                    | 10  |
| 4    | 200-0074    | FLAT WASHER 1/4 TYPE A NARROW   | 3   |
| 5    | 200-0087    | WASHER - 1/4" SPRING LOCK- REGULAR - SS                                       | 11  |
| 6    | 200-0089    | BOLT - HEX HEAD 1/4-20 x 1/2" L   | 7   |
| 7    | 200-0100    | SCREW 8-32 X 3/8" - PAN HEAD - PHILIPS - SS                                   | 2   |
| 8    | 200-0111    | SCREW 8-18 X 1/2 - SELF TAP - 410 SS  | 2   |
| 9    | 200-0125    | NUT THREAD CUTTER FOR 1/4" Ø STUD - SPEED NUT                                 | 2   |
| 10   | 200-0206    | 8-32 KEP NUT 18-8 STAINLESS   | 2   |
| 11   | 200-0219    | HEX HD MACHINE SCREW 1/4-20 UNC X 5/8 LONG SS                                 | 4   |
| 12   | 200-0244    | WASHER, FLAT 1/4 TYPE B - REGULAR, SS   | 4   |
| 13   | 200-0267    | 10-32 X 1/2 - PAN HEAD - PHILLIPS SCREW                                       | 6   |
| 14   | 200-0348    | Screw 6-32 x 3/8 Flat Head (82°) phillips - Thread Cutter - #2 Drive - SS 410 | 10  |
| 15   | 200-0362    | 18-8 SS PAN HEAD SCREW 2-56 X 3/8   | 2   |
| 16   | 200-0363    | 18-8 SS HEX NUT 2-56  | 2   |
| 17   | 210-0583    | SWITCH - IGNITION - MOMENTARY [ON]/OFF  | 1   |
| 18   | 210-0584    | SWITCH - LIGHT - LATCHING [ON/OFF]  | 1   |
| 19   | 210-0585    | SWITCH - ROTISSERIE - LATCHING [ON/OFF]                                       | 1   |
| 20   | 210-0606    | WIRING HARNESS  | 1   |
| 21   | 210-0623    | TRANSFORMER ASSY FOR ALXE   | 1   |
| 22   | 290-0038    | BURNER - GRILL - "U" SHAPE  | 3   |
| 23   | 290-0052    | ALFRESCO SEAR ZONE™ BURNER ASSEMBLY   | 1   |
| 24   | 290-0059    | ROTISSERIE DRIP PAN   | 1   |
| 25   | 290-0096    | FORK ASSEMBLY   | 2   |
| 26   | 290-0116    | CHAIN - ANSI # 25 - 1/4" PITCH - .13" Ø X 1/8" ROLLER                         | 1   |
| 27   | 290-0347    | WARMING RACK - SS   | 1   |
| 28   | 290-0348    | GRILL, BBQ - 10-7/16" WIDE - SS   | 3   |
| 29   | 290-0349    | SPEAR - ROTISSERIE  | 1   |
| 30   | 290-0377    | ALFRESCO RANGE LOGO   | 1   |
| 31   | 290-0388    | ALFRESCO RANGE KNOB - BEZEL RING  | 5   |
| 32   | 290-0465    | Bumper 600°F 1/2" dia x 5/32" head  | 2   |
| 33   | 290-0468    | Bumper 600°F (obround), black   | 2   |
| 34   | 510-0677    | BRIQUETTE TRAY ASSEMBLY   | 3   |
| 35   | 510-0678    | ELECTRICAL COMPONENTS   | 1   |
| 36   | 510-0944    | FRONT PANEL PERIMETER (ANGLED)  | 1   |
| 37   | 510-0945    | FIRE BOX ASSEMBLY   | 1   |
| 38   | 510-0947    | SMOKER BURNER ASSEMBLY  | 1   |
| 39   | 510-0949    | SMOKER TRAY ASSEMBLY  | 1   |
| 40   | 510-0951    | GREASE TRAY ASSEMBLY  | 1   |
| 41   | 510-0962    | BULLNOSE LIGHT ASSEMBLY   | 1   |
| 42   | 510-0981    | SEARZONE™ GRILL ASSEMBLY  | 1   |
| 43   | 510-1026    | HOOD SWITCH MECHANISM   | 1   |
| 44   | 510-1038    | GAS MANIFOLD ASSEMBLY   | 1   |
| 45   | 510-1204    | REAR HOOD & RIM ASSEMBLY  | 1   |
| 46   | 510-1210    | FRONT HOOD  | 1   |



THE INFORMATION CONTAINED IN THIS DRAWING IS THE SOLE PROPERTY OF SUPERIOR EQUIPMENT SOLUTIONS INC. ANY REPRODUCTION IN PART OR AS A WHOLE WITHOUT WRITTEN PERMISSION FROM SUPERIOR EQUIPMENT SOLUTIONS, INC. IS PROHIBITED.

**DRAWN BY:** N SILCOCK  
**CREATED:** 2/5/2016 1:38:01 PM

PROJECT TITLE:

**ALXE-36 AND 36SZ**

DRAWING TITLE:

DRAWING NO.:

**500-015**

SHEET 2 OF 2

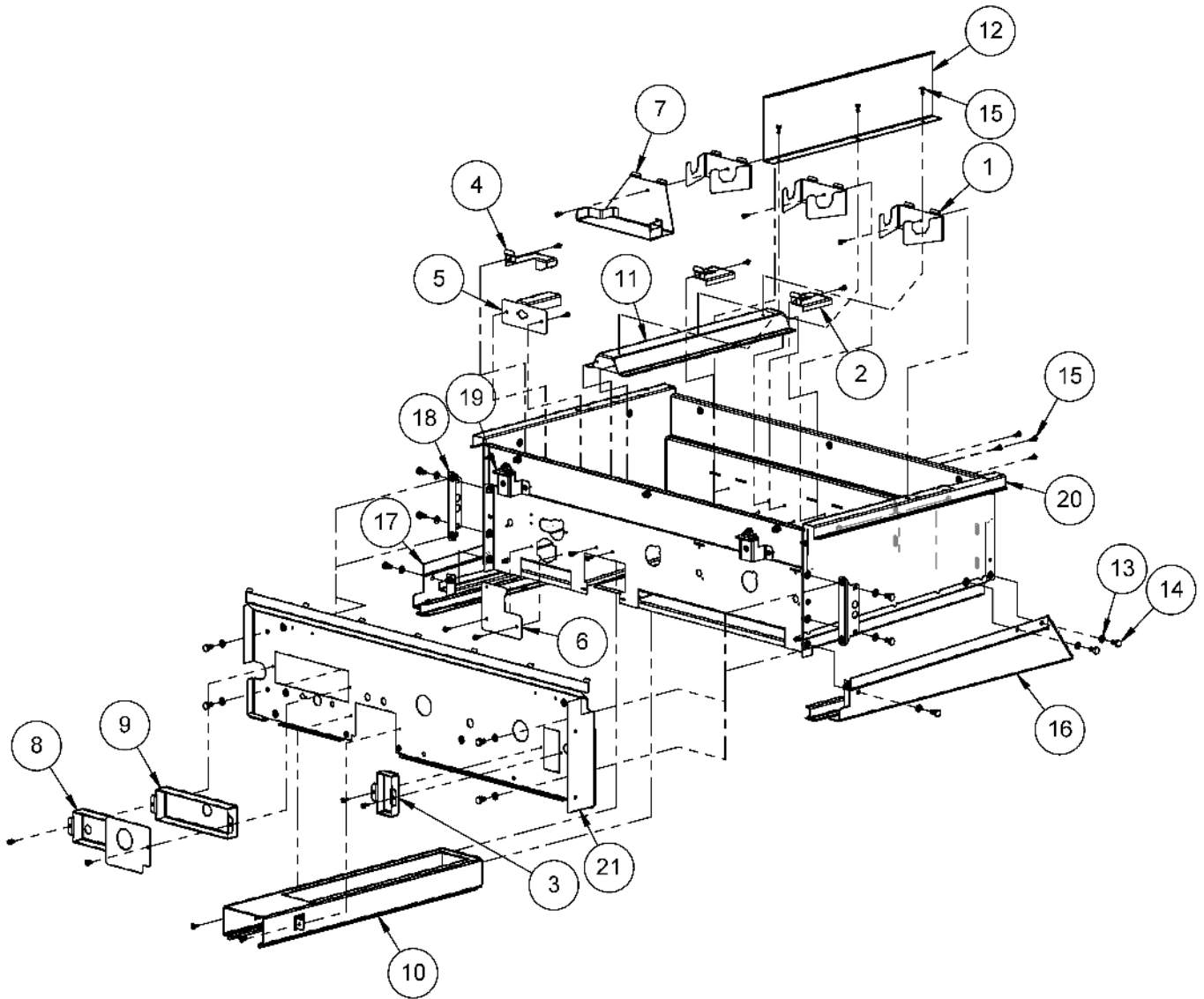
NOTE:  
 UNIQUE PARTS USED ON ALXE-36 MODEL

- (4) (6) (8)

UNIQUE PARTS USED ON ALXE-36SZ MODEL

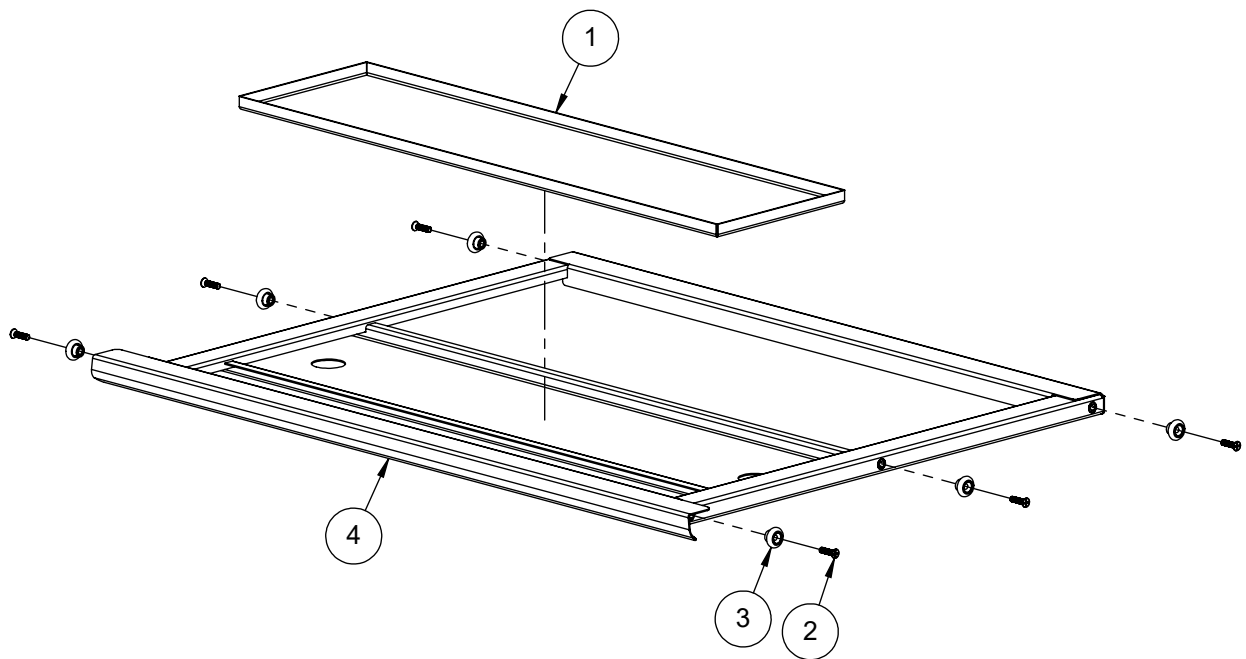
- (5) (7) (9) (12)

ITEM (1) IS USED FOR "U" BURNERS ONLY  
 THEREFORE, ALXE-36SZ ONLY HAS TWO.

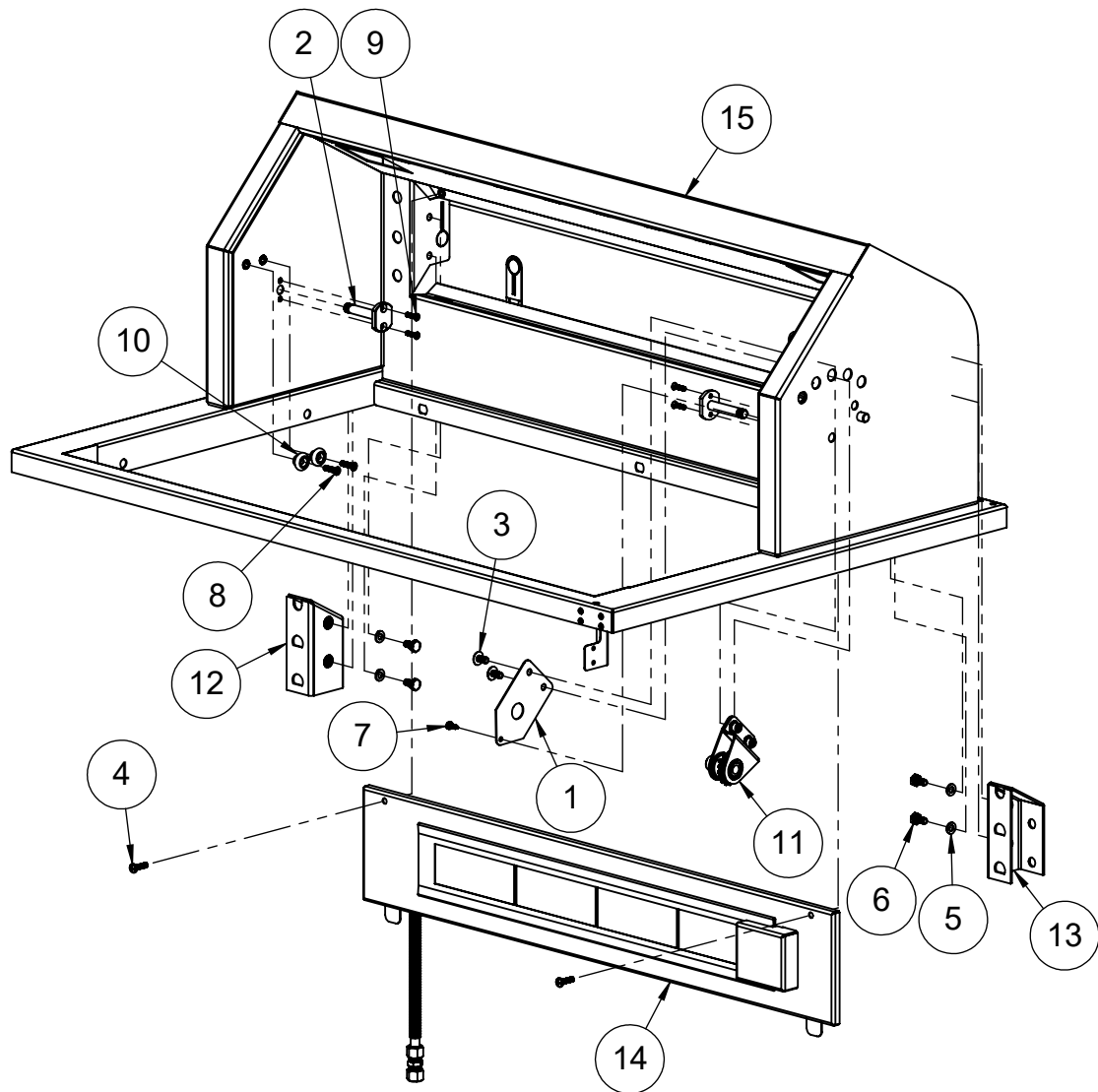


| ITEM | PART NUMBER | DESCRIPTION                             | QTY |
|------|-------------|---|-----|
| 1    | 100-1846    | U-BURNER BRACKET                        | 3   |
| 2    | 100-1848    | IGNITER SHIELD                          | 2   |
| 3    | 100-1888    | SINGLE VALVE FIREWALL COVE              | 1   |
| 4    | 100-2202    | IGNITER SHIELD - LEFT SIDE              | 1   |
| 5    | 100-2210    | SEAR-ZONE IGNITER BRACKET / SHIELD      | 1   |
| 6    | 100-2211    | SEARZONE™ OPENING FIREBOX COVER         | 1   |
| 7    | 100-2212    | SEAR-ZONE™ BURNER BRACKET               | 1   |
| 8    | 100-2213    | DUAL VALVE FIREWALL COVER FOR U-BURNER  | 1   |
| 9    | 100-2214    | DUAL VALVE FIREWALL COVE                | 2   |
| 10   | 100-2632    | SMOKER BOX BODY                         | 1   |
| 11   | 100-2653    | SMOKER BOX TOP DIFUSSER                 | 1   |
| 12   | 130-3042    | SEAR ZONE BURNER SHIELD                 | 1   |
| 13   | 200-0087    | WASHER - 1/4" SPRING LOCK- REGULAR - SS | 17  |
| 14   | 200-0089    | BOLT - HEX HEAD 1/4-20 x 1/2" L         | 17  |
| 15   | 200-0111    | SCREW 8-18 X 1/2 - SELF TAP - 410 SS    | 29  |
| 16   | 510-0502    | GREASE TRAY SUPPORT - RIGHT SIDE        | 1   |
| 17   | 510-0503    | GREASE TRAY SUPPORT - LEFT SIDE         | 1   |
| 18   | 510-0520    | FIREWALL SUPPORT BRACKET ASSEMBLY       | 2   |
| 19   | 510-0904    | FRONT PANEL MNTG BRKT                   | 2   |
| 20   | 510-0946    | FIREBOX - WELDED PARTS                  | 1   |
| 21   | 510-0948    | FIREWALL ASSEMBLY                       | 1   |

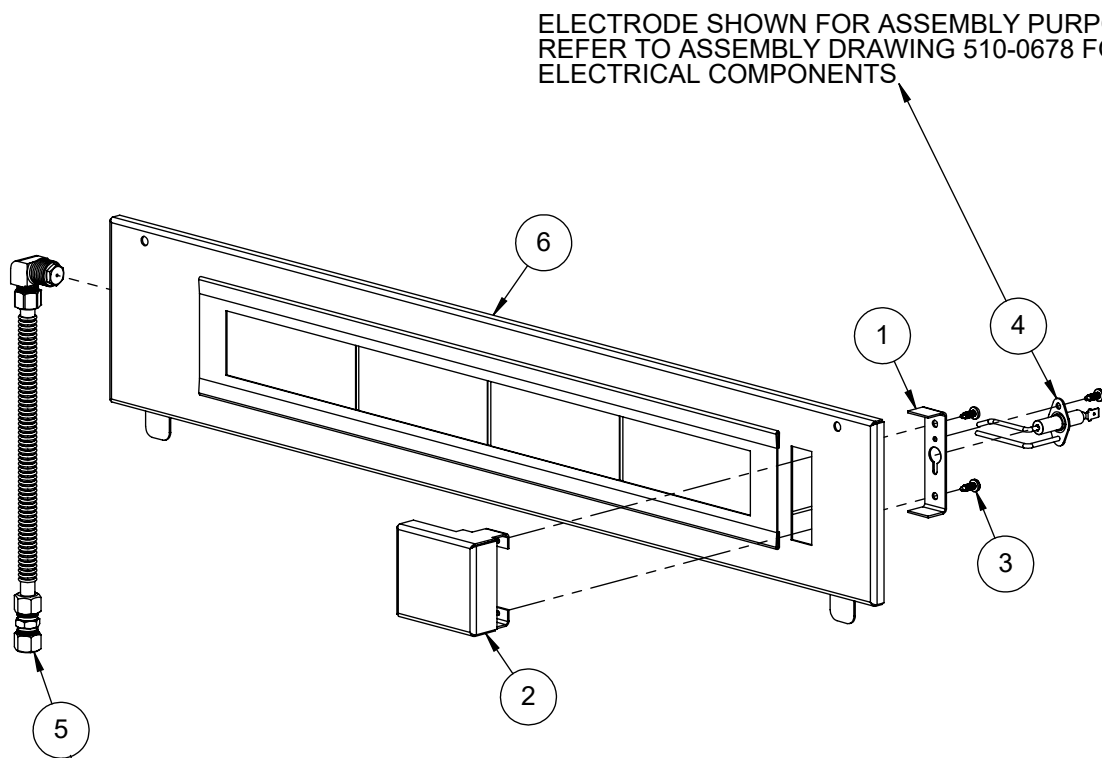
| ITEM | PART NUMBER | DESCRIPTION  | QTY |
|------|-------------|--|-----|
| 1    | 100-2642    | GREASE TRAY INSERT                                   | 1   |
| 2    | 200-0148    | SCREW 10-32 X 3/4" - FLAT HEAD - PHILLIPS - 82° - SS | 6   |
| 3    | 290-0119    | ROLLER WHEEL - STAINLESS STL - 3/4" Ø                | 6   |
| 4    | 510-0952    | GREASE TRAY - WELDED PARTS                           | 1   |



| ITEM | PART NUMBER | DESCRIPTION  | QTY |
|------|-------------|--|-----|
| 1    | 100-1092    | ROTISSERIE GEAR COVER                                | 1   |
| 2    | 130-2985    | PIVOT PIN  | 2   |
| 3    | 200-0057    | SCREW 1/4-20 X 1/2 - TRUSS HEAD - PHILLIPS           | 2   |
| 4    | 200-0062    | 10-32 X 3/4 - PAN HEAD - PHILLIPS SCREW              | 2   |
| 5    | 200-0087    | WASHER - 1/4" SPRING LOCK- REGULAR - SS              | 4   |
| 6    | 200-0089    | BOLT - HEX HEAD 1/4-20 x 1/2" L                      | 4   |
| 7    | 200-0111    | SCREW 8-18 X 1/2 - SELF TAP - 410 SS                 | 1   |
| 8    | 200-0148    | SCREW 10-32 X 3/4" - FLAT HEAD - PHILLIPS - 82° - SS | 2   |
| 9    | 200-0361    | SCREW 8-32 X 5/8" - FLAT HEAD 82° - PHILLIPS         | 4   |
| 10   | 290-0119    | ROLLER WHEEL - STAINLESS STL - 3/4" Ø                | 2   |
| 11   | 510-0139    | ROTISSERIE GEAR ASSEMBLY                             | 1   |
| 12   | 510-0511    | WARMING RACK BRACKET ASSEMBLY - LEFT SIDE            | 1   |
| 13   | 510-0519    | WARMING RACK BRACKET ASSEMBLY- RIGHT SIDE            | 1   |
| 14   | 510-0673    | ROTISSERIE PANEL ASSY                                | 1   |
| 15   | 510-0955    | BACK HOOD AND RIM - WELDED PARTS                     | 1   |



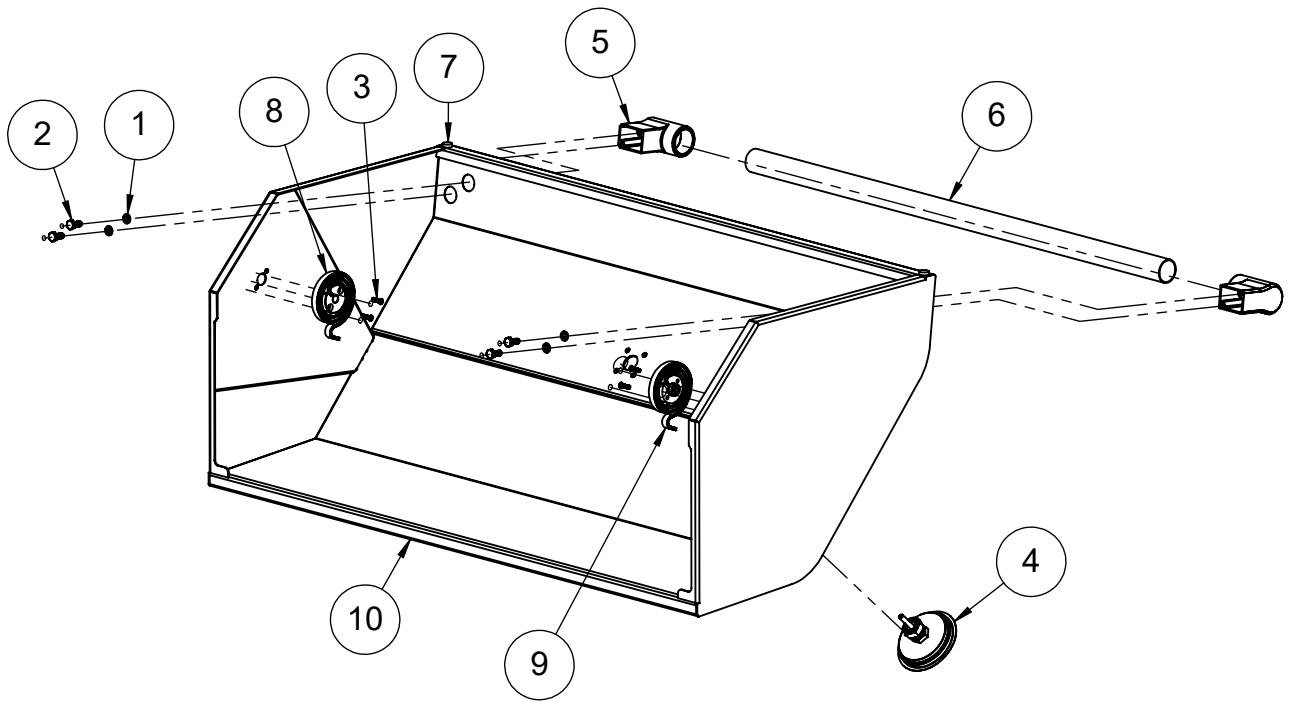
| ITEM | PART NO. | DESCRIPTION                                | QTY |
|------|----------|--|-----|
| 1    | 100-1226 | ROTISSERIE ELECTRODE BRACKET               | 1   |
| 2    | 100-1882 | ROTISSERIE ELECTRODE COVER                 | 1   |
| 3    | 200-0111 | SCREW 8-18 X 1/2 - SELF TAP - 410 SS       | 3   |
| 4    | 210-0240 | ELECTRODE - DUAL TIP "L" SHAPE- ROTISSERIE | 1   |
| 5    | 510-0469 | ROTISSERIE PIPING SUBASSEMBLY              | 1   |
| 6    | 510-0674 | ROTISSERIE PANEL - WELDED PARTS            | 1   |



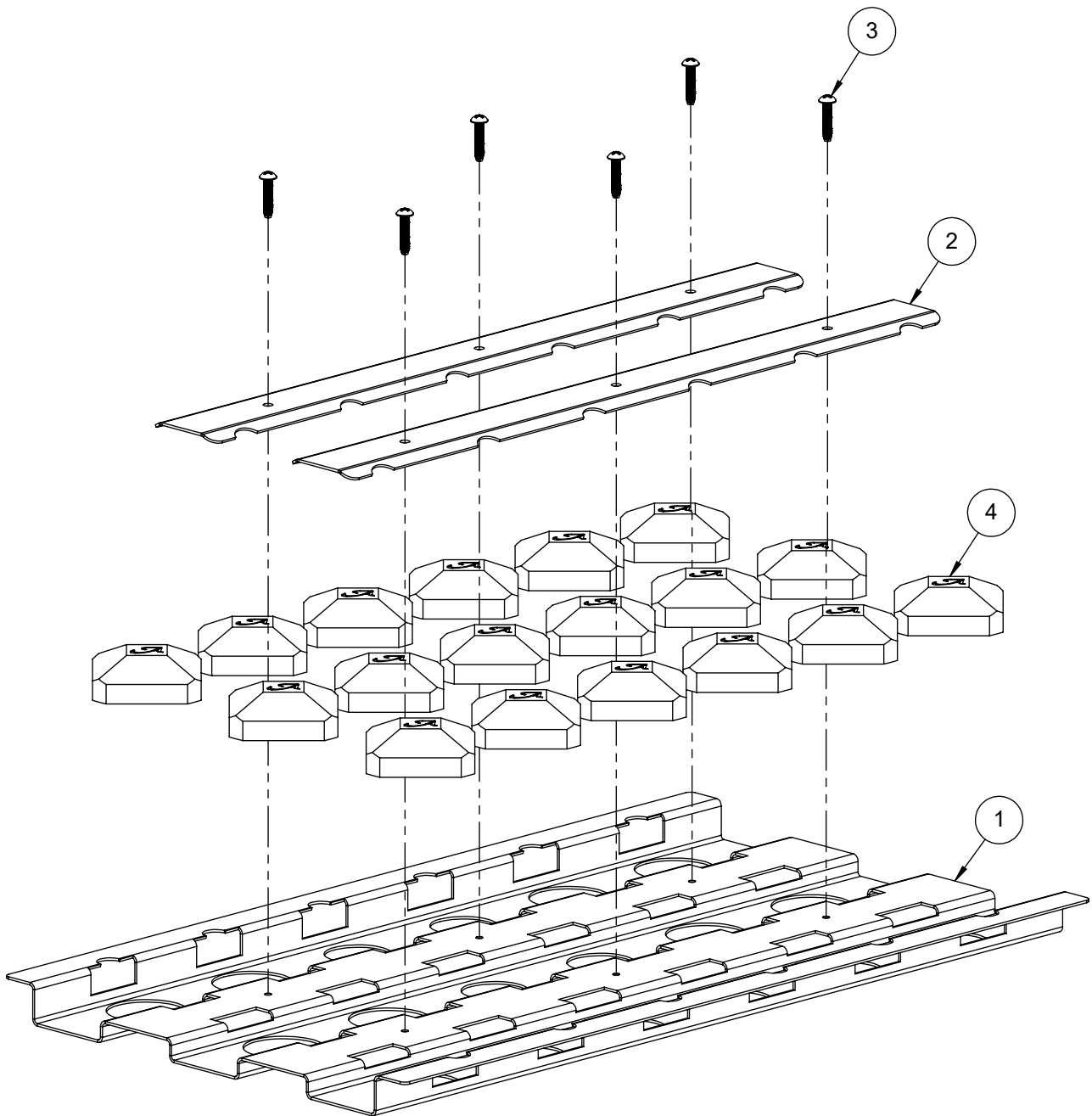
ELECTRODE SHOWN FOR ASSEMBLY PURPOSE ONLY  
REFER TO ASSEMBLY DRAWING 510-0678 FOR ALL  
ELECTRICAL COMPONENTS

THESE PARTS ARE SHOWN FOR ASSEMBLY PURPOSES ONLY  
REFER TO ASSEMBLY DRAWING 510-1038 FOR COMPLETE  
PARTS BREAKDOWN AND ORIFICE INFORMATION

| ITEM | PART NUMBER | DESCRIPTION                                  | QTY |
|------|-------------|--|-----|
| 1    | 200-0087    | WASHER, 1/4" - SPRING LOCK - SS              | 4   |
| 2    | 200-0219    | SCREW 1/4-20 UNC X 5/8 LONG - HEX HD - SS    | 4   |
| 3    | 200-0361    | SCREW 8-32 X 5/8" - FLAT HEAD 82° - PHILLIPS | 4   |
| 4    | 210-0571    | 3-1/8 DIA THERMOMETER                        | 1   |
| 5    | 290-0400    | HANDLE END CAP                               | 2   |
| 6    | 290-0440    | BBQ HANDLE BAR                               | 1   |
| 7    | 290-0465    | BUMPER 600°F 1/2" DIA x 5/32" HEAD           | 2   |
| 8    | 510-0924    | SPIRAL TORSION SPRING LT                     | 1   |
| 9    | 510-0925    | SPIRAL TORSION SPRING RT                     | 1   |
| 10   | 510-1211    | FRONT HOOD WELDED PARTS                      | 1   |



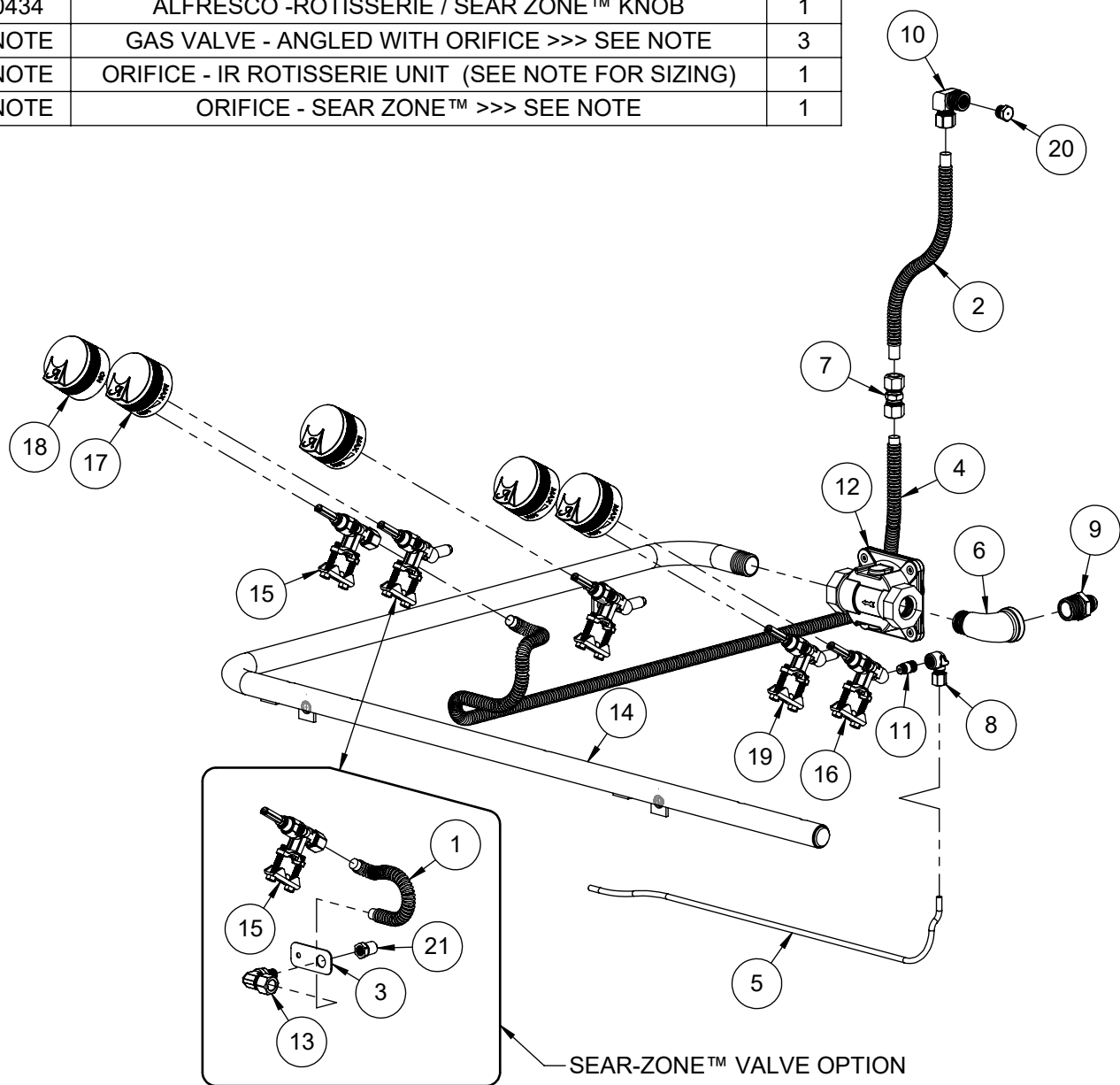
| ITEM | PART NO. | DESCRIPTION   | QTY |
|------|----------|---|-----|
| 1    | 100-2220 | BRIQUETTE TRAY BASE   | 1   |
| 2    | 100-2221 | BRIQUETTE LOCK BAR  | 2   |
| 3    | 200-0312 | SCREW 8-32 x 3/4"- PAN HEAD - PHILLIPS - THREAD CUTTER TYPE F | 6   |
| 4    | 265-0005 | BRIQUETTE - ALFRESCO CUSTOM                                   | 18  |



| ITEM | PART NO. | DESCRIPTION   | QTY |
|------|----------|---|-----|
| 1    | 100-0917 | SEAR ZONE™ GAS LINE (8"L x 3/8" Ø - SS. FLEX TUBE)    | 1   |
| 2    | 100-0917 | ROTISSERIE GAS LINE EXTENSION - 3/8"Ø X 8" - SS       | 1   |
| 3    | 100-1067 | SMOKER & SZ™ ORIFICE BRACKET                          | 1   |
| 4    | 100-1949 | ROTISSERIE GAS LINE (36"L x 3/8" Ø - SS. FLEX TUBE)   | 1   |
| 5    | 100-2217 | SMOKER GAS LINE                                       | 1   |
| 6    | 200-0274 | ELBOW 90° - CAST IRON - 1/2" FPT x 1/2" MPT           | 1   |
| 7    | 220-0151 | COUPLING 3/8" x 3/8" - COMPRESSION - BRASS            | 1   |
| 8    | 220-0273 | ELBOW 90° - 1/8" FPT x 3/16" COMP                     | 1   |
| 9    | 220-0275 | NIPPLE - 1/2" MPT X 3/8" OD FL                        | 1   |
| 10   | 220-0276 | ELBOW 3/8" MPT x 1/8" FPT x 3/8" COMP                 | 1   |
| 11   | 220-0277 | NIPPLE 1/8"MPT x 1/16"MPT                             | 1   |
| 12   | 220-0280 | REGULATOR GAS - MAXITROL RV48CL440002                 | 1   |
| 13   | 220-0293 | ELBOW 3/8-27 UNS x 3/8" COMP                          | 1   |
| 14   | 220-0416 | GAS MANIFOLD  | 1   |
| 15   | 290-0041 | GAS VALVE - STRAIGHT - WITHOUT ORIFICES               | 2   |
| 16   | 290-0066 | GAS VALVE - ANGLED - ORIFICE: INT= 0.95 mm / EXT=NONE | 1   |
| 17   | 290-0433 | KNOB - BBQ VALVE - ASSEMBLY                           | 4   |
| 18   | 290-0434 | ALFRESCO -ROTISSERIE / SEAR ZONE™ KNOB                | 1   |
| 19   | SEE NOTE | GAS VALVE - ANGLED WITH ORIFICE >>> SEE NOTE          | 3   |
| 20   | SEE NOTE | ORIFICE - IR ROTISSERIE UNIT (SEE NOTE FOR SIZING)    | 1   |
| 21   | SEE NOTE | ORIFICE - SEAR ZONE™ >>> SEE NOTE                     | 1   |

NOTE: ORIFICE OR VALVE ASSEMBLY TO CHANGE ACCORDING TO FUEL SUPPLY: NATURAL GAS OR LIQUID PROPANE

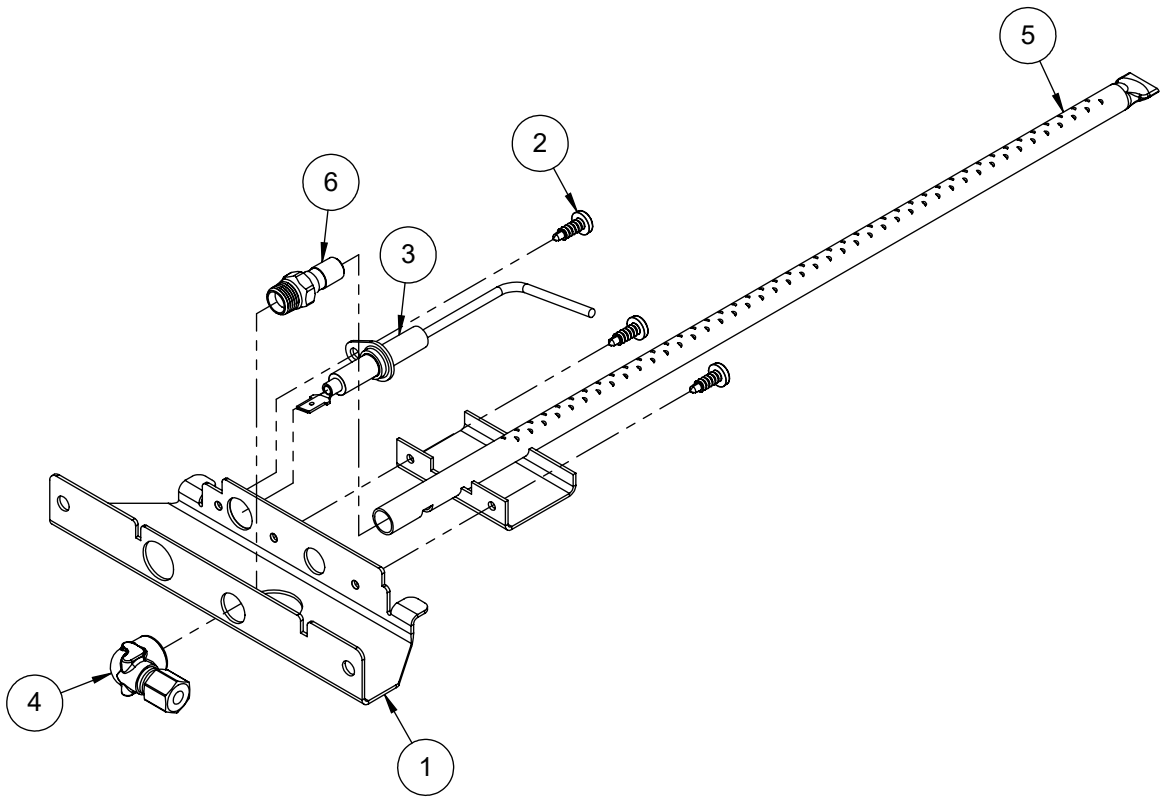
| ITEM | NG GAS   | LP GAS   |
|------|----------|----------|
|      | PART #   | PART #   |
| 19   | 290-0310 | 290-0310 |
| 20   | 220-0285 | 220-0285 |
| 21   | 220-0289 | 220-0289 |



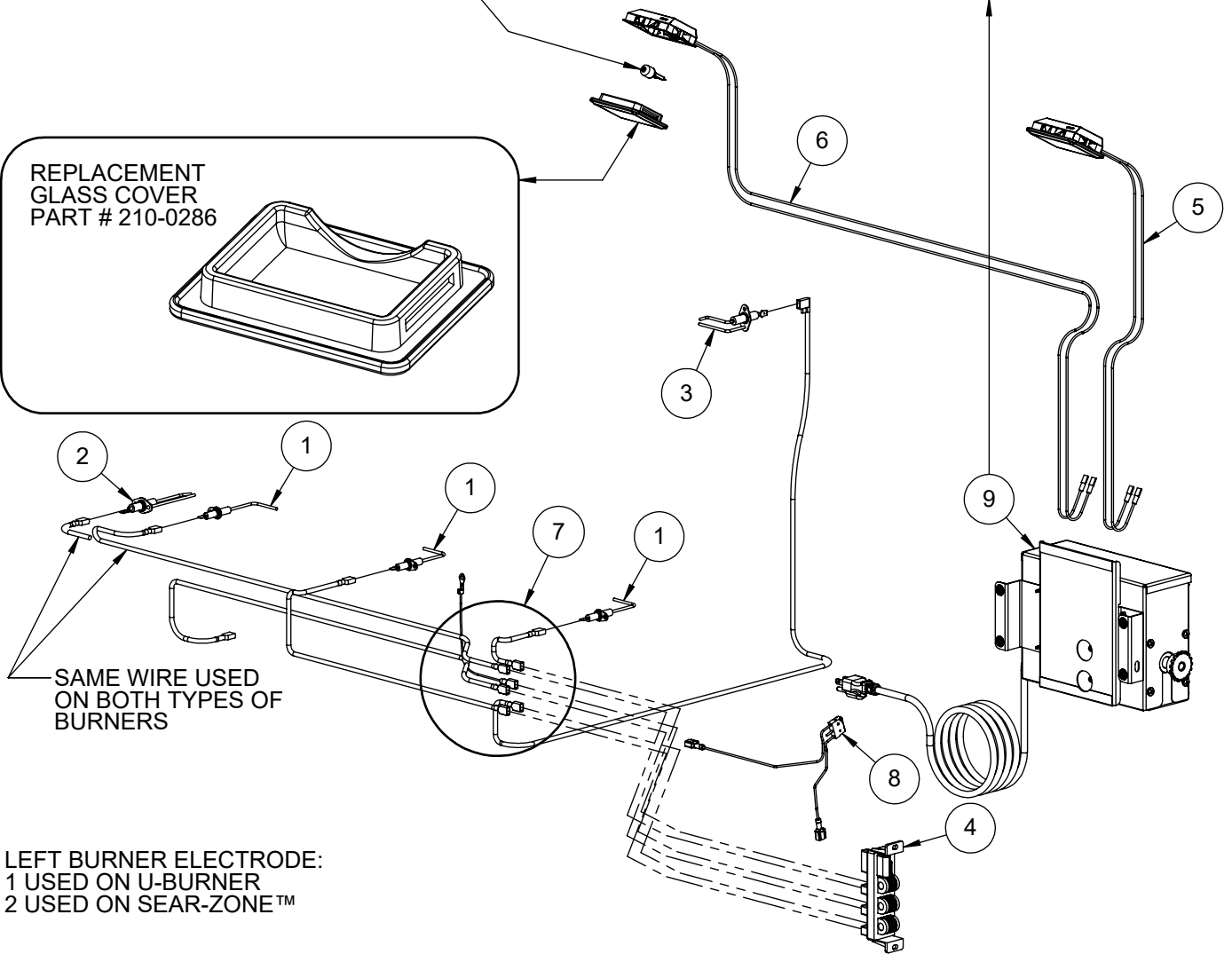
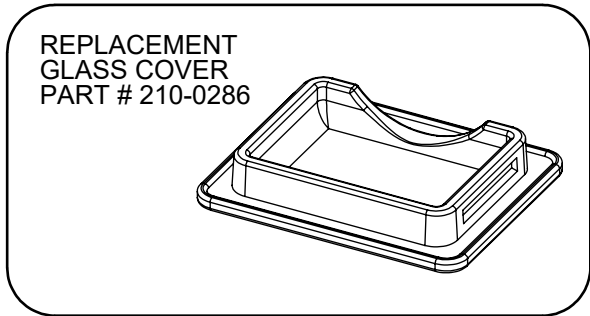
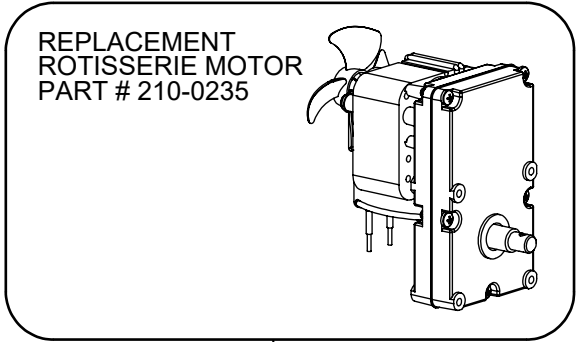
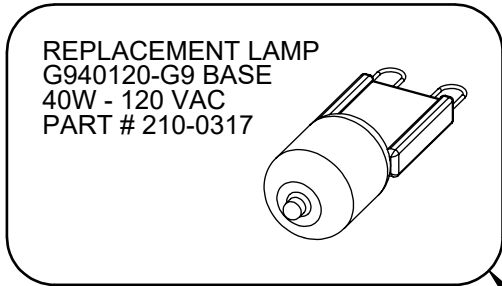
| ITEM | PART NUMBER | DESCRIPTION                          | QTY |
|------|-------------|--------------------------------------|-----|
| 1    | 100-2633    | SMOKER BURNER MOUNTING BRACKET       | 1   |
| 2    | 200-0111    | SCREW 8-18 X 1/2 - SELF TAP - 410 SS | 3   |
| 3    | 210-0189    | ELECTRODE - "L" SHAPED - MAIN BURNER | 1   |
| 4    | 220-0273    | ELBOW 90° - 1/8" FPT x 3/16" COMP    | 1   |
| 5    | 510-0504    | SMOKER BURNER ASSEMBLY               | 1   |
| 6    | SEE NOTE    | ORIFICE - SMOKER UNIT >>> SEE NOTE   | 1   |

**NOTE:** ORIFICE OR VALVE ASSEMBLY TO CHANGE ACCORDING TO FUEL SUPPLY: NATURAL GAS OR LIQUID PROPANE

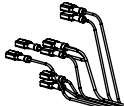
| ITEM | NG GAS   | LP GAS |
|------|----------|--------|
|      | PART #   | PART # |
| 6    | 220-0468 | 220-03 |



| ITEM | PART NO. | DESCRIPTION                                | QTY |
|------|----------|--|-----|
| 1    | 210-0189 | ELECTRODE - "L" SHAPED - U-BURNER / SMOKER | 3   |
| 2    | 210-0192 | ELECTRODE - DUAL TIP - SEARZONE™           | 1   |
| 3    | 210-0240 | ELECTRODE - DUAL TIP "L" SHAPE- ROTISSERIE | 1   |
| 4    | 210-0466 | IGNITER MODULE (6 POINTS)                  | 1   |
| 5    | 210-0509 | LAMP ASSEMBLY (32" WIRE LENGTH)            | 1   |
| 6    | 210-0510 | LAMP ASSEMBLY ( 56" WIRE LENGTH)           | 1   |
| 7    | 210-0543 | IGNITER WIRE KIT                           | 1   |
| 8    | 210-0626 | PERIMETER LIGHT SWITCH                     | 1   |
| 9    | 510-0514 | ROTISSERIE MOTOR BOX ASSEMBLY              | 1   |



CONNECTIONS: NEUTRAL TO TRANSFORMER,  
POWER TO TRANSFORMER, IGNITER, LIGHTS  
& ROTISSERIE. FRONT LEFT.

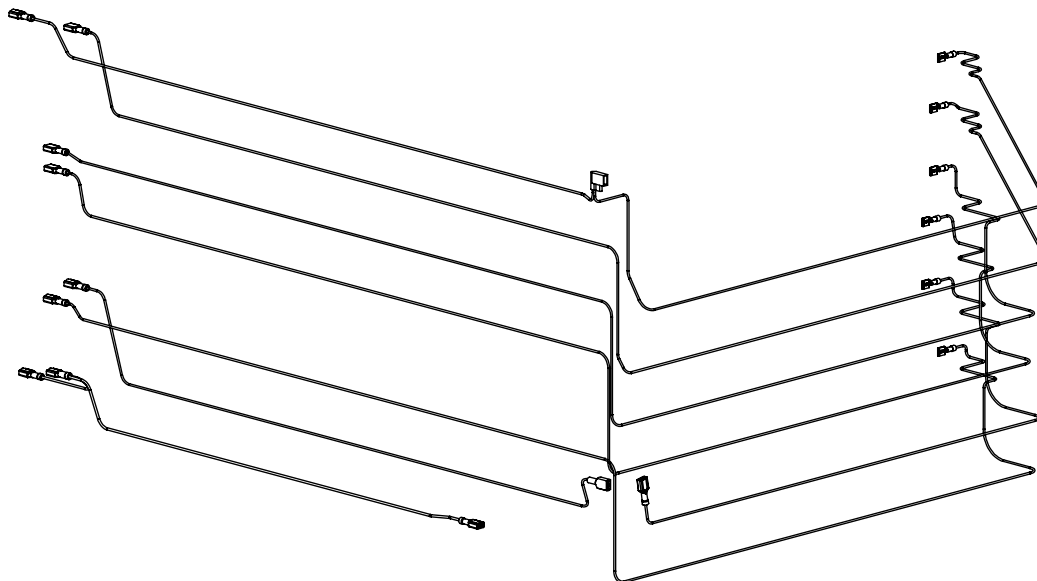


CONNECTIONS IN  
MOTOR BOX AT  
REAR RIGHT.



CONNECTIONS: NEUTRAL & POWER,  
PERIMETER LIGHT SWITCH NEUTRAL & POWER,  
AND POWER TO TRANSFORMER. FRONT RIGHT.

**WIRING HARNESS PART NUMBER 210-0606**



EXPLODED VIEW OF WIRING HARNESS

**NOTE: INDIVIDUAL WIRES ARE NOT SOLD SEPARATELY**

# *Alfresco*<sup>™</sup>

*Open Air Culinary Systems*

***ALXE-36 PARTS MANUAL  
ALFRESCO<sup>™</sup> GOURMET GRILLS  
ALL RIGHTS RESERVED 02/2018***