

This Owner's Manual is provided and hosted by [Appliance Factory Parts](#).



# Monessen Hearth ACUF42-GD Owner's Manual

[Shop genuine replacement parts for Monessen Hearth  
ACUF42-GD](#)



[Find Your Monessen Hearth Fireplace Parts - Select From 701 Models](#)

----- Manual continues below -----



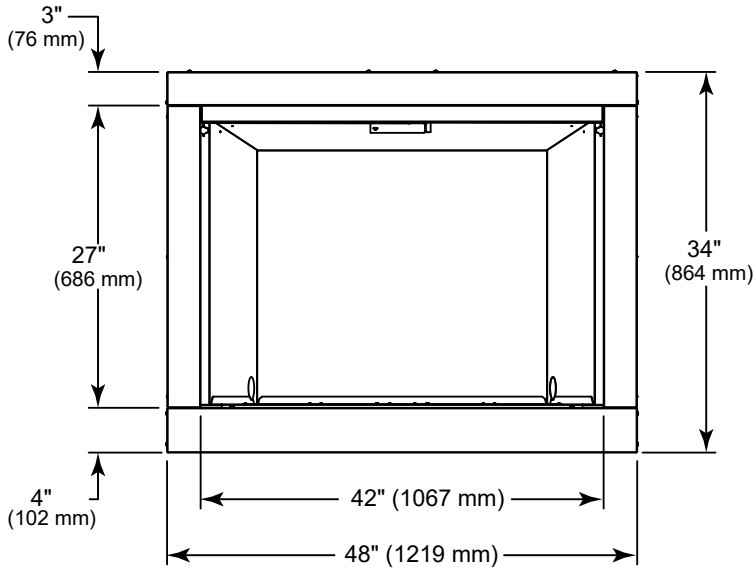
LOVE AT FIRST LIGHT

Please consult the manufacturer's installation manual for all details and requirements before making a final design layout decision.

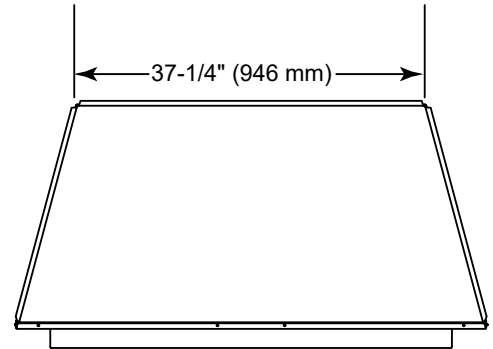
**Attribute 42**  
Vent Free Gas Firebox

MODEL	FRONT WIDTH		BACK WIDTH		HEIGHT		DEPTH		VIEWING AREA
	Actual	Framing	Actual	Framing	Actual	Framing	Actual	Framing	
ACUF42	48"	48-1/2"	37-1/4"	48-1/2"	34"	34-1/4"	20"	19-3/4"	42" x 27"

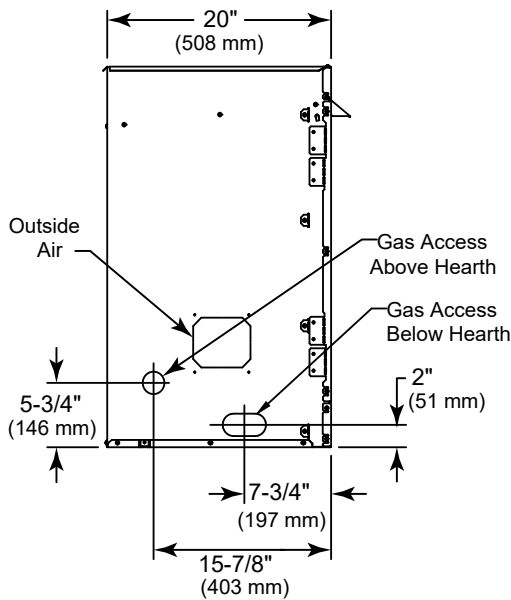
FRONT VIEW



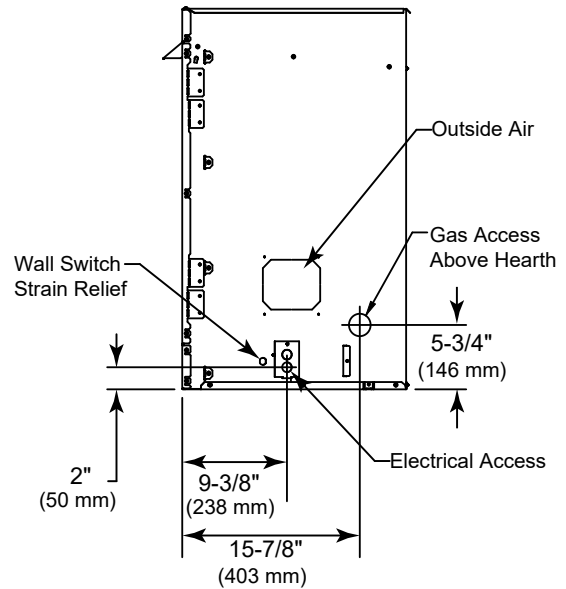
TOP VIEW



LEFT SIDE VIEW



RIGHT SIDE VIEW



FRAMING DIMENSIONS

Note: Add 1/2" to width (A) and 1/4" to height (B) dimensions when using optional trim kit to finish the installation of a custom cabinet, mantle, or other built-in enclosure.

A	B	C	D	E	F
48-1/2" (1232mm)	34-1/4" (870mm)	19-3/4" (502mm)	54-1/4" (1378mm)	76-3/4" (1950mm)	38-1/2" (978mm)

CLEARANCES TO COMBUSTIBLES

0" to back  
0" to side  
Drywall  
42" to ceiling (1067 mm)  
0"  
Combustible flooring may be installed next to the front of the appliance. (No carpet or vinyl within 14")  
0"  
36" (914 mm)  
0"  
Drywall  
6" (152 mm) min  
Perpendicular Wall  
9" (229 mm) min. (from firebox opening)

MANTEL CLEARANCES

18" maximum  
18"  
17"  
16"  
15"  
14"  
13"  
12"  
11"  
10"  
9"  
8"  
7"  
6"  
5"  
4"  
3"  
2"  
1"  
17"  
17"  
6" minimum  
3" minimum  
Measured from top of appliance opening  
Gray area is combustible material  
White area is non-combustible material

MINIMUM HEARTH DIMENSIONS

30-3/8"  
25-1/2"  
22-5/8"  
38-7/8"  
15"

MANTEL LEG CLEARANCES

Unit  
6"  
Gray area is combustible material  
White area is non-combustible material only  
Minimum Side Wall  
9"  
9"

PRODUCT LISTING CODES	
US	ANSI Z223.1 / NFPA54 ANSI Z21.11
	CSA Design Certified

Product information provided is not complete and is subject to change without notice. Product installation must adhere strictly to instructions accompanying product to avoid risk of fire and potential injury.

Additional information can be found online at [www.monessenhearth.com](http://www.monessenhearth.com)



LOVE AT FIRST LIGHT

(877) 863-4350 | [monessenhearth.com](http://monessenhearth.com)