

This Owner's Manual is provided and hosted by [Appliance Factory Parts](#).



Monessen Hearth ODCASTLEWD-42 Owner's Manual

[Shop genuine replacement parts for Monessen Hearth
ODCASTLEWD-42](#)



[Find Your Monessen Hearth Fireplace Parts - Select From 701 Models](#)

----- Manual continues below -----

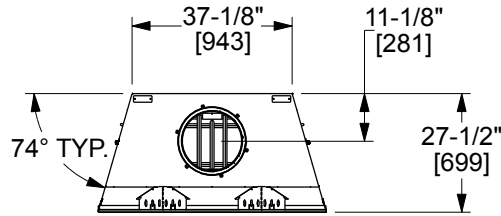


Please consult the manufacturer's installation manual for all details and requirements before making a final design layout decision.

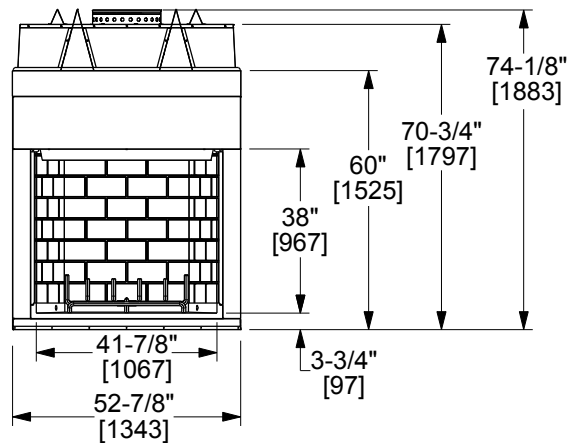
Castlewood

42" Outdoor Wood Fireplace

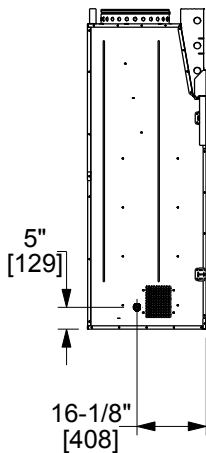
MODEL	FRONT WIDTH		BACK WIDTH		HEIGHT		DEPTH		FIREBOX OPENING
	Actual	Framing	Actual	Framing	Actual	Framing	Actual	Framing	
CASTLEWOOD	52-7/8	53-7/8	37-1/8	53-7/8	74-1/8	74-1/2	27-1/2	28-3/8	41-7/8 x 38



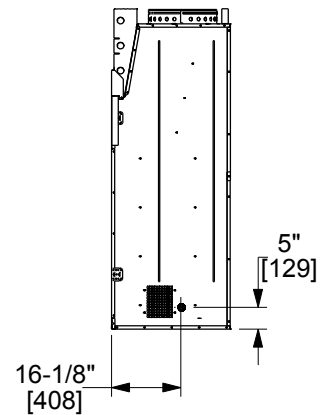
Top View



Front View

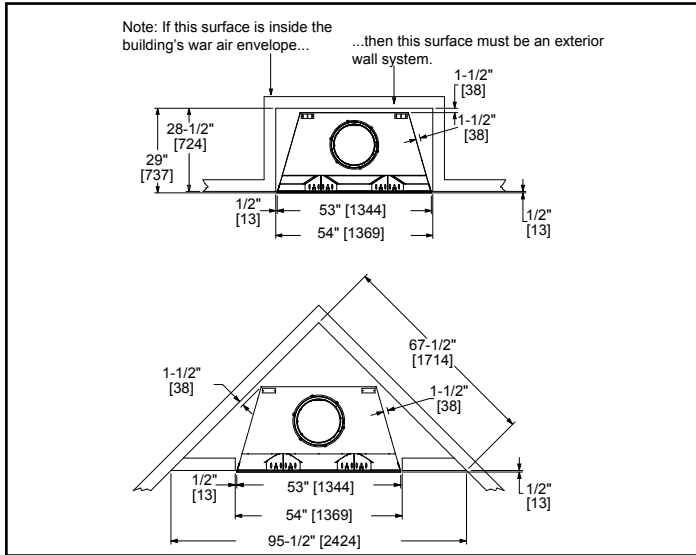


Left Side View

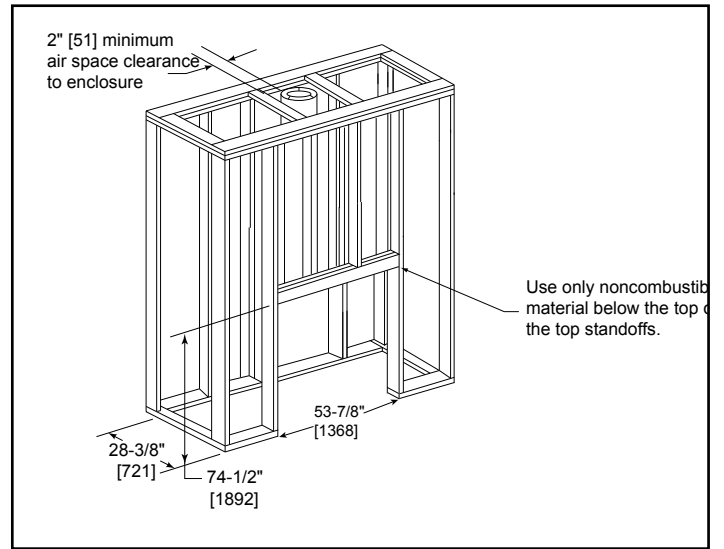


Right Side View

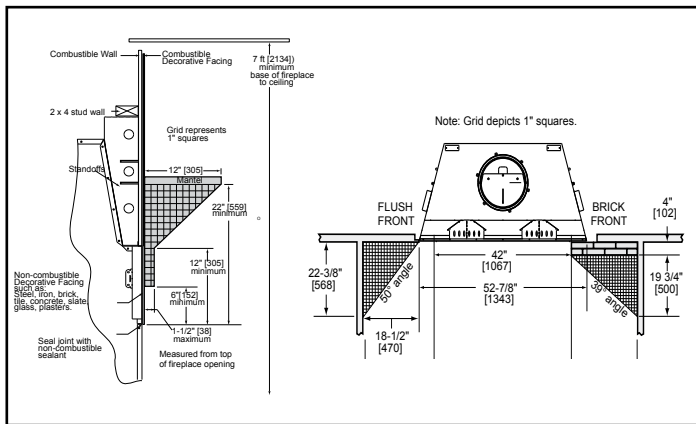
APPLIANCE LOCATION



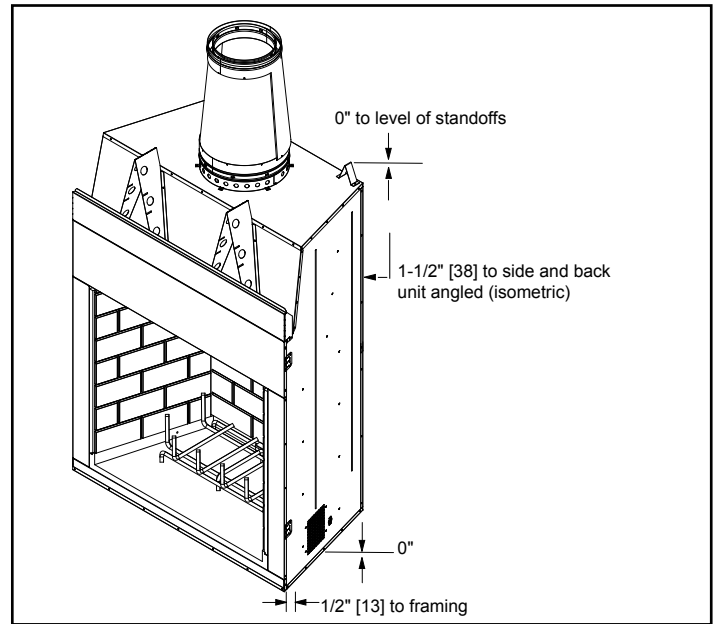
FRAMING DIMENSIONS



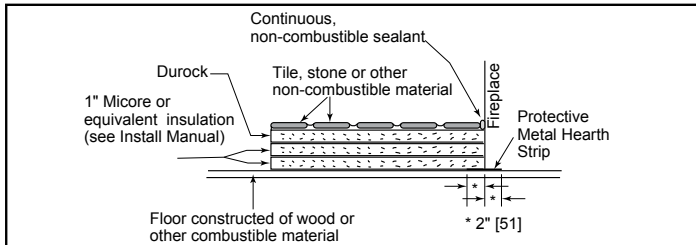
MANTEL AND MANTEL LEG/WALL PROJECTIONS



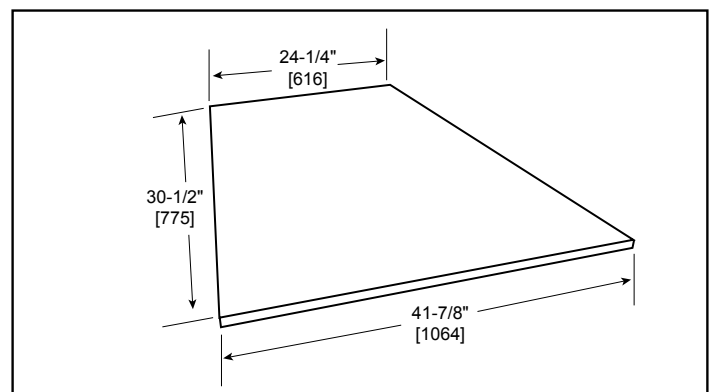
CLEARANCES TO COMBUSTIBLES



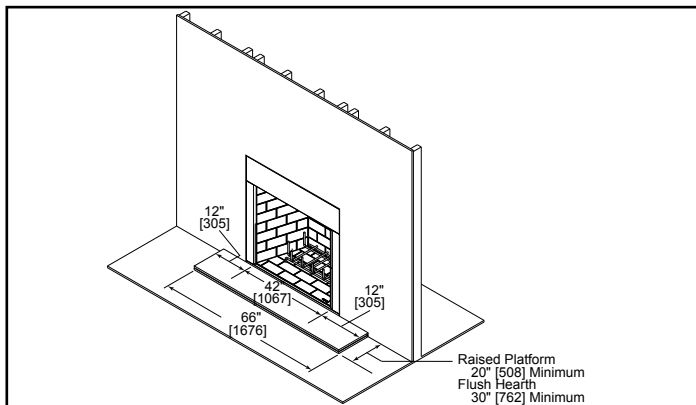
HEARTH EXTENSION CONSTRUCTION



HEARTH DIMENSIONS



HEARTH EXTENSION



PRODUCT LISTING CODES	
US	UL127
CAN	ULC-S610-M87

Product information provided is not complete and is subject to change without notice. Product installation must adhere strictly to instructions accompanying product to avoid risk of fire and potential injury.

Additional information can be found online at www.fireplaces.com