



Decorative Gas Appliances

Models: NVBR36, NVBC36 NVBR42, NVBC42

INSTALLER/CONSUMER SAFETY INFORMATION

**PLEASE READ THIS MANUAL
BEFORE INSTALLING AND USING
APPLIANCE.**

IMPORTANT: Read all instructions
and warnings carefully before starting

WARNING: If the information in this
manual is not followed exactly, a fire
or explosion may result causing prop-
erty damage, personal injury or loss of
life.

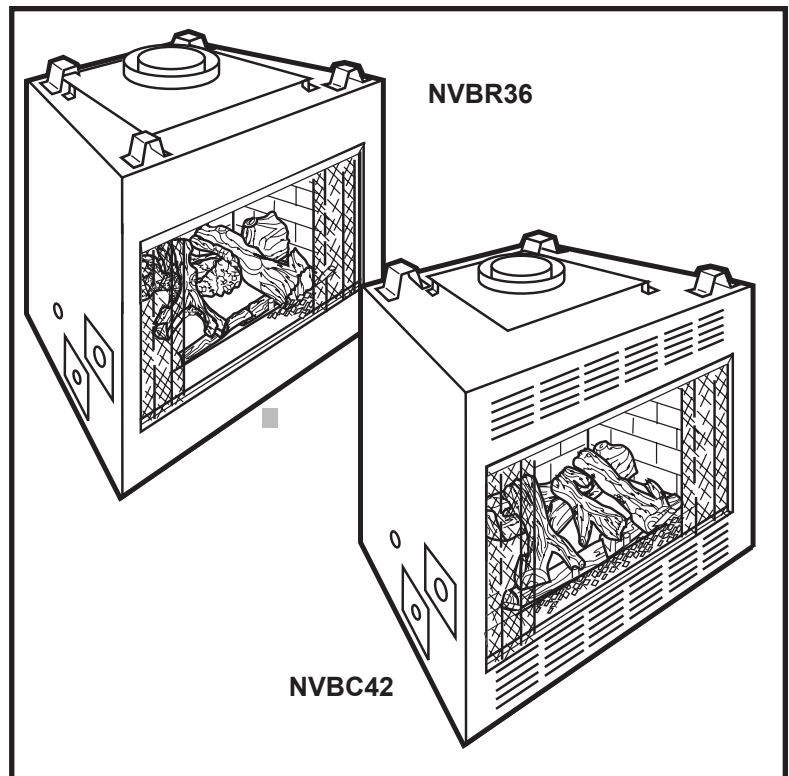
FOR YOUR SAFETY

Installation and service must be per-
formed by a qualified installer, service
agency, or the gas supplier. Do not
store or use gasoline or other flamma-
ble vapors and liquids in the vicinity of
this or any other appliance.

FOR YOUR SAFETY

If you smell gas:

1. Open windows
2. Do not touch electrical switches.
3. Do not try to light any appliance.
4. Extinguish any open flame.
5. Do not use the phone in your build-
ing.
6. Immediately call your gas supplier
from a neighbor's phone.
7. Follow your gas supplier's instruc-
tions.
8. If you cannot reach your gas sup-
plier, call the fire department.



Homeowner's Installation and Operating Manual



INSTALLER: Leave this manual with the appliance.
CONSUMER: Retain this manual for future reference.

Table of Contents

Thank you and Congratulations on your purchase of a CFM Corporation fireplace.

PLEASE READ THE INSTALLATION & OPERATING INSTRUCTIONS BEFORE USING THE APPLIANCE

IMPORTANT: Read all instructions and warnings carefully before starting installation. Failure to follow these instructions may result in a possible fire hazard and will void the warranty.

Installation & Operating Instructions	3
General Information.....	3
Fireplace Dimensions.....	4
Clearance to Combustibles	6
Mantels	6
Mantel Chart.....	6
Hearth	6
Insulating for Cold Climates	6
Framing & Finishing	7
Final Finishing	7
Gas Specifications.....	7
Gas Inlet & Manifold Pressures.....	7
High Elevations	7
Parts Identification and Chase Installation	8



Glass Cleaning	12
Log Installation	12
Ember Material Placement	13
Lava Rock	13
First Firing	13
Flame Adjustment.....	13
Flame Characteristics.....	13
Inspecting the Venting System	13
Lighting & Operating Instructions	14
Troubleshooting.....	16
Maintenance	18
Replacement Parts	19
Optional Accessories	21
Warranty	22

General Information

This gas appliance should be installed by a qualified installer in accordance with local building codes and with current **CSA-B149.1** Installation codes for Gas Burning Appliances and Equipment.

FOR U.S.A Installations follow local codes and/or the current **National Fuel Gas Code. ANSI Z223.1/NFPA 54.**

In the Commonwealth of Massachusetts, all gas fittings and installation of this heater shall only be done by a licensed gas fitter or licensed plumber.

FOR SAFE INSTALLATION AND OPERATION PLEASE NOTE THE FOLLOWING:

1. This appliance gives off high temperatures and should be located out of high traffic areas and away from furniture and draperies.
2. Children and adults should be alerted to the hazards of the high surface temperatures of this appliance and should stay away to avoid burns or ignition of clothing.
3. Children should be carefully supervised when they are in the same room as your appliance.
4. Under no circumstances should this appliance be modified. Parts having to be removed for servicing should be replaced prior to operating this appliance again.
5. Installation and any repairs to this appliance should be carried out by a qualified service person. A professional service person should be contacted to inspect this appliance annually. Make it a practice to have all of your gas appliances checked annually. More frequent cleaning may be required due to excess lint and dust from carpeting, bedding material, etc.
6. Control compartments, burners and air passages in this appliance should be kept clean and free of dust and lint. Make sure that the gas valve and pilot light are turned off before you attempt to clean this unit.
7. The venting system (chimney) of this appliance should be checked at least once a year and if needed your venting system should be cleaned.
8. Keep the area around your appliance clear of combustible materials, gasoline and other flammable vapour and liquids. This appliance should not be used as a drying rack for clothing, nor should Christmas stockings or decorations be hung in the area of it.
9. Under no circumstances should any solid fuels (wood, coal, paper or cardboard etc.) be used in this appliance.
10. The flow of combustion and ventilation air must not be obstructed in any way.
11. Whether the appliance is installed directly on carpeting, vinyl tile or any combustible material other than wood, this appliance must be installed on a metal or wood panel extending the full width and depth of the appliance.
12. This appliance requires adequate ventilation and combustion air to operate properly.

WARNING: Check with your electronics manufacturer before installing a television or other electronic device above this fireplace.

Description

NVB Series are radiant or heat circulating, natural draft appliances and use a 6" B-vent system. Do not burn wood or other materials in these appliances. Each model is available with standing pilot or electronic ignition for use with Natural or Propane gas units.

Report to your dealer any parts damaged in shipment.

Adequate combustion and ventilation air must be provided. The flow of combustion and ventilation air **MUST NOT** be obstructed.

Provide adequate clearances around the air opening into the combustion chamber; and adequate accessibility clearance for servicing and proper operation. **NEVER** obstruct the front opening of the appliance or cover the top and bottom louvres (grilles).

The 6" vent system **MUST** connect to the appliance and terminate out-of-doors in a vertical position and terminate with a B-vent cap.

This appliance must not be connected to a chimney flue servicing a separate solid-fuel burning appliance.

A draft hood is an integral part of the appliance.

Proposition 65 Warning: Fuels used in gas, wood-burning or oil fired appliances, and the products of combustion of such fuels, contain chemicals known to the State of California to cause cancer, birth defects and other reproductive harm.
California Health & Safety Code Sec. 25249.6

IMPORTANT:

PLEASE READ THE FOLLOWING CAREFULLY

Remove any plastic from trim parts before turning the fireplace "ON".

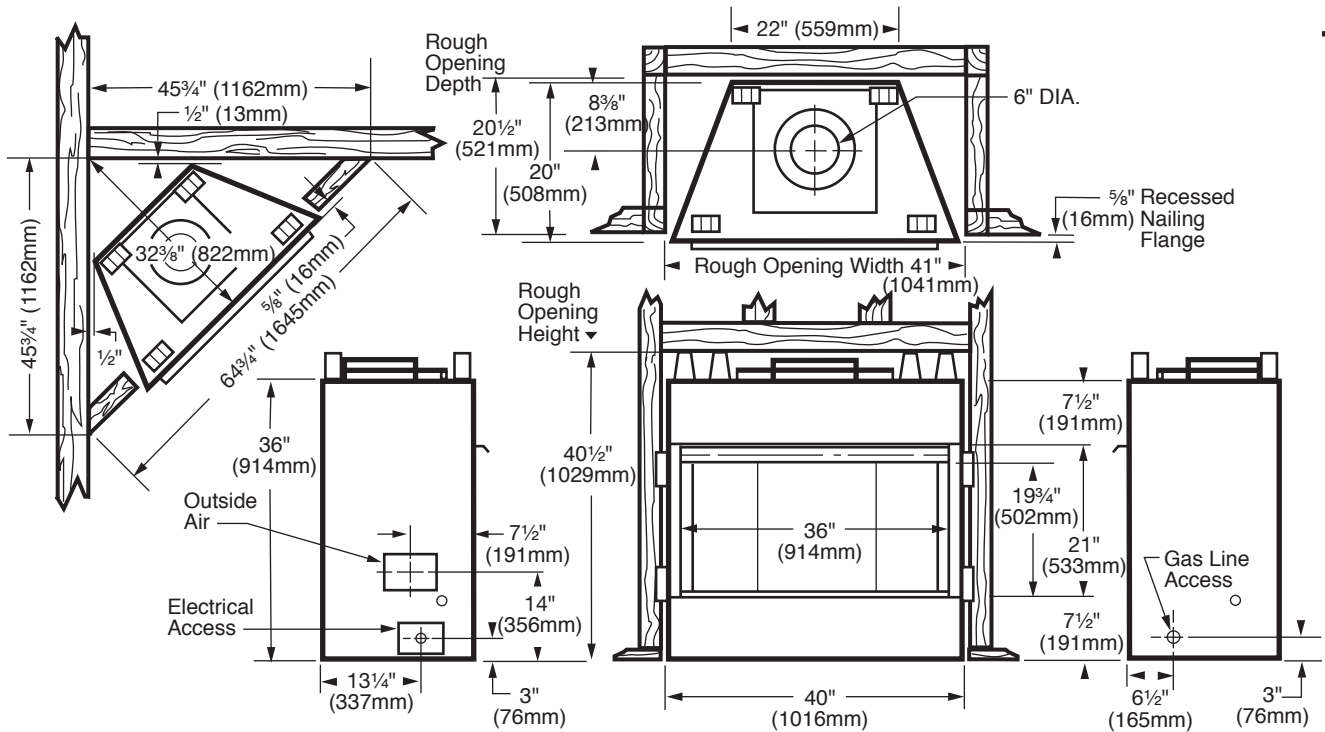
It is normal for fireplaces fabricated of steel to give off some expansion and/or contraction noises during the start up or cool down cycle. Similar noises are found with your furnace heat exchanger or car engine.

It is not unusual for your gas fireplace to give off some odor the first time it is burned. This is due to the curing of the paint and any undetected oil used in the manufacturing process.

Please ensure that your room is well ventilated. Open all windows.

It is recommended that you burn your fireplace for at least ten (10) continuous hours the first time you use it. If the optional fan kit has been installed, place the fan switch in the "OFF" position during this time.

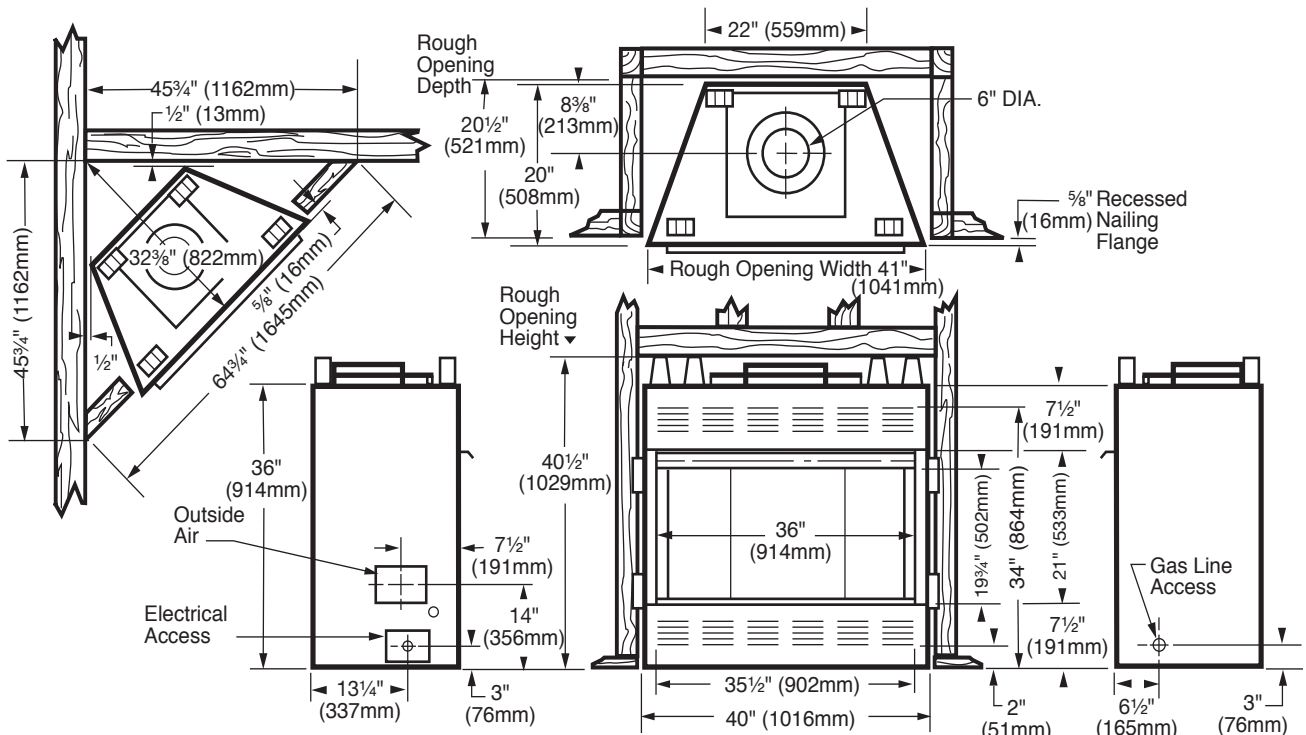
NVBR36 Series Gas Appliance



FP561

Fig. 1 NVBR36 Series specification and framing dimensions.

NVBC36 Series Gas Appliance — Circulating Model



FP562

Fig. 2 NVBC36 Series specification and framing dimensions.

NVBR42 Series Gas Appliance

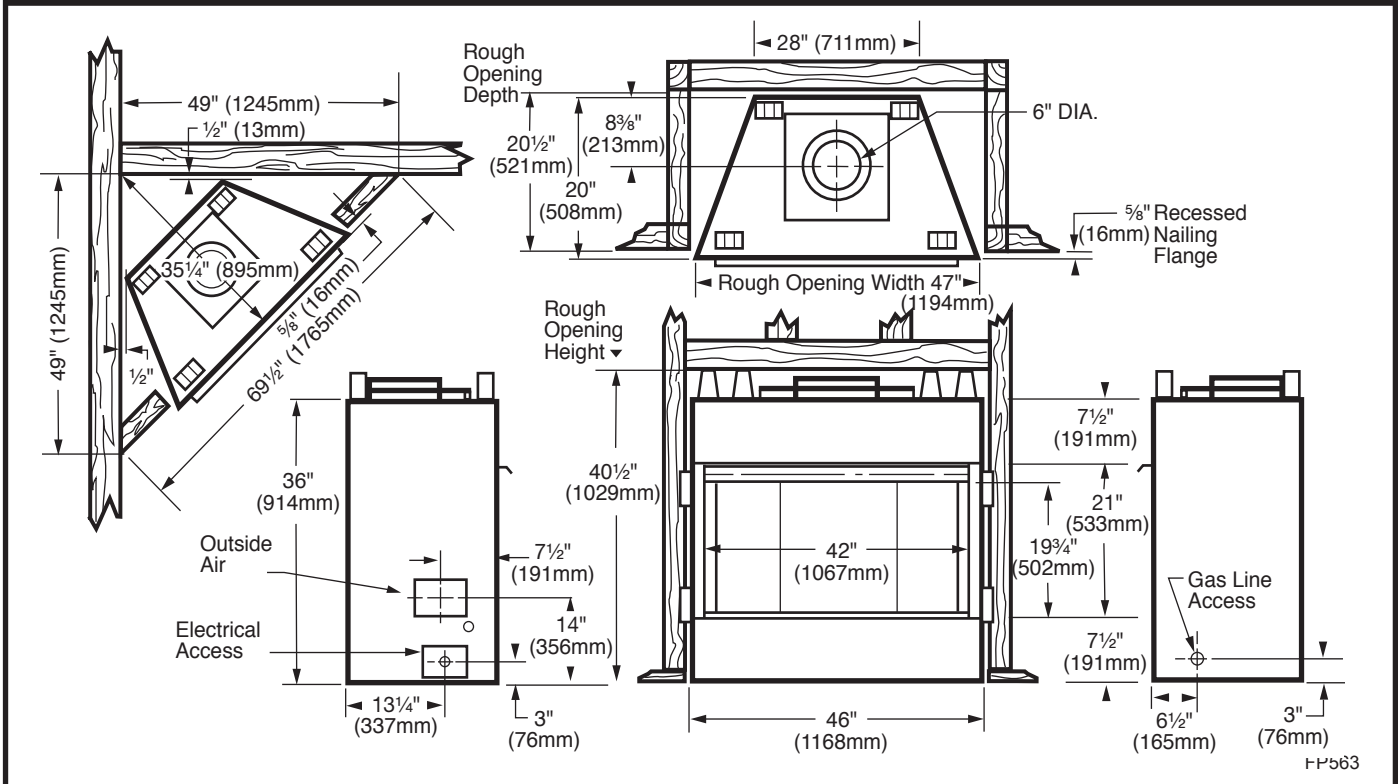


Fig. 3 NVBR42 Series specification and framing dimensions.

NVBC42 Series Gas Appliance — Circulating Model

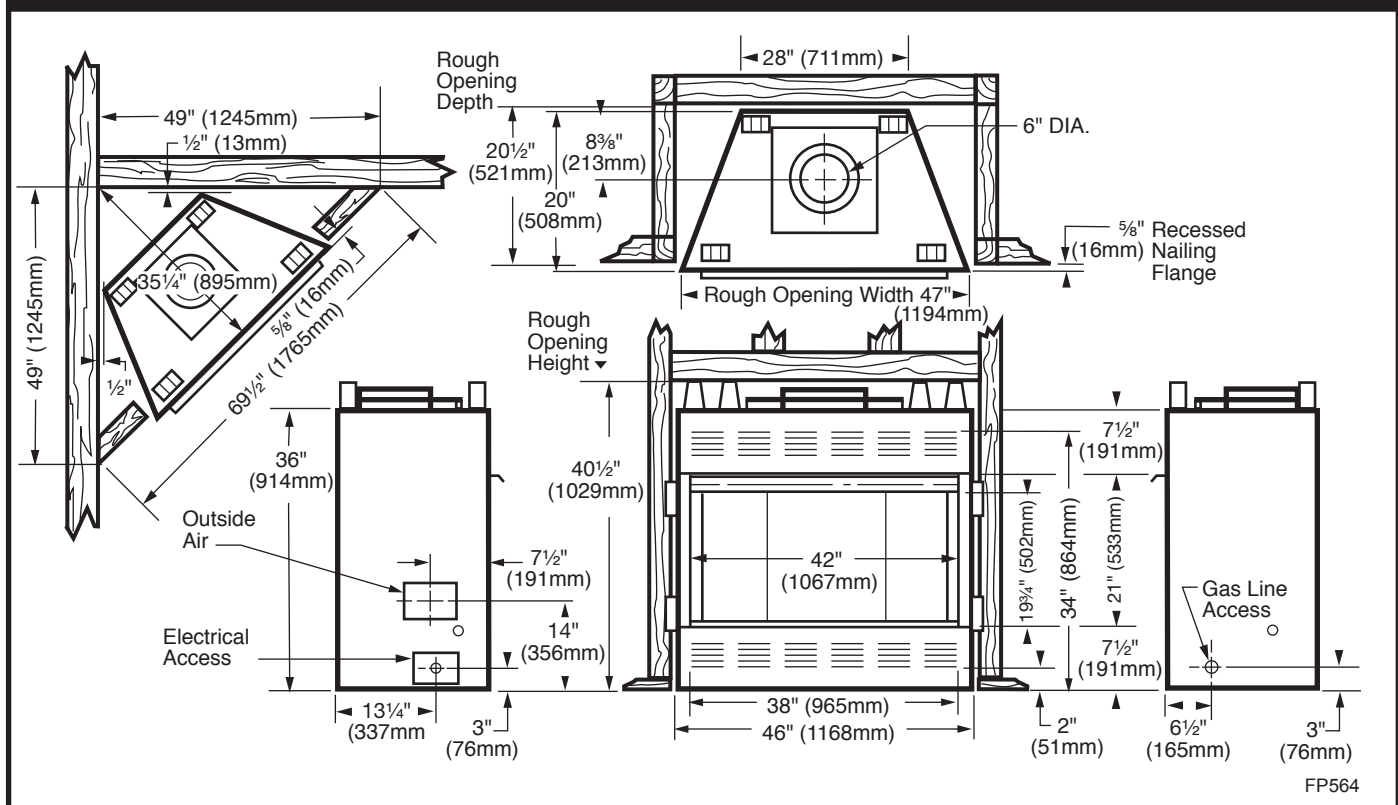


Fig. 4 NVBC42 Series specification and framing dimensions.

Clearance to Combustibles

Appliances

Top	0" (0 mm)
Bottom.....	0" (0 mm)
Side.....	0" (0 mm)
Back.....	0" (0 mm)
Perpendicular Sidewall	0" (0 mm)
Top of unit to ceiling	36" (914 mm)
Front of unit to combustibles.....	36" (914 mm)

Venting

B-Vent	1" (25 mm)
--------------	------------


Mantels

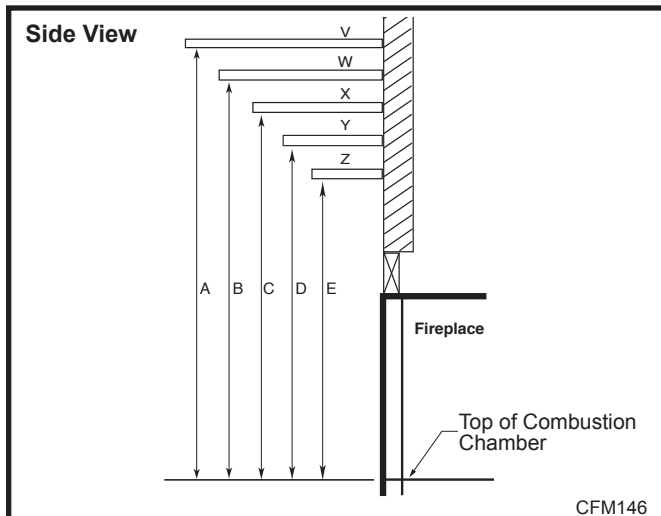
The height that a combustible mantel is fitted above the fireplace is dependent on the depth of the mantel. This also applies to the distance between the mantel leg (if fitted) and the fireplace.

For the correct mounting height and widths refer to Figures 5a and 5b

The distances and reference points are not affected by the fitting of a bay window front trim kit.

Noncombustible mantels and legs may be installed at any height and width around the appliance.

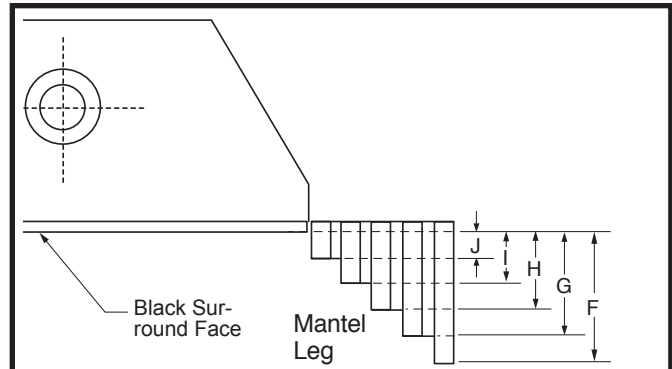
 **When using paint or lacquer to finish the mantel, such paint or lacquer must be heat resistant to prevent discoloration.**



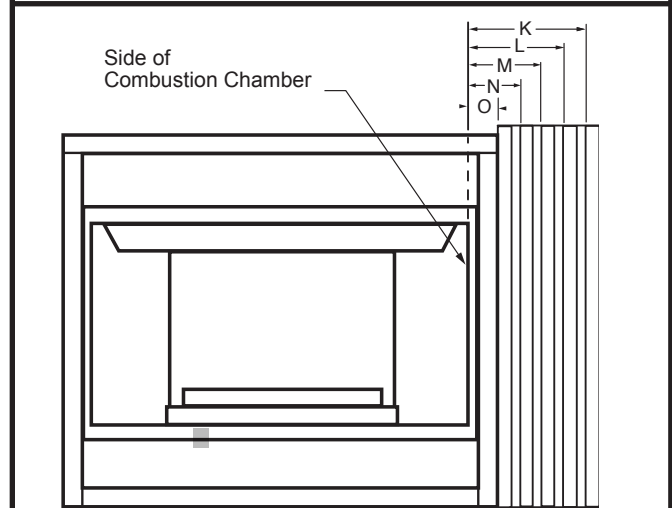
CFM146

Ref.	Mantel Shelf Depth	Ref.	Mantel From Top of Comb. Chamber
V	14" (356 mm)	A	18" (457 mm)
W	12" (305 mm)	B	16" (406 mm)
X	10" (254 mm)	C	14" (356 mm)
Y	8" (203 mm)	D	12" (305 mm)
Z	1½" (38 mm)	E	8" (203 mm)

Fig. 5a Mantel clearances.



CFM164



CFM170

Ref.	Mantel Leg Depth	Ref.	Mantel Leg From of Comb. Opening
F	14" (356 mm)	K	14" (356 mm)
G	12" (305 mm)	L	12" (305 mm)
H	10" (254 mm)	M	10" (254 mm)
I	8" (203 mm)	N	8" (203 mm)
J	1½" (38 mm)	O	1½" (38 mm)

Fig. 5b Combustible mantel leg minimum installation.

Hearth

A hearth is not mandatory but is recommended for aesthetic purposes. We recommend a noncombustible hearth.

Insulating For Cold Climates

When an appliance is installed in a chase or an outside wall, the enclosure should be insulated like any other wall of the home. Insulation should be installed under the appliance and on the inside of the exterior walls.

In a chase, it is a good idea to install a firestop at the first ceiling level above the appliance. Also, install insulation on the side walls. Insulation may then be placed above the ceiling to assure the space around the appliance is protected. Refer to Page 8, Figure 7.



Be sure to always maintain the proper one (1) inch distance to combustibles around B-vent pipe sections.

NOTE: Insulating for cold climates is strictly a recommendation and not a requirement.

Framing and Finishing



Check appliance to make sure it is levelled and properly positioned.

The appliance should only be mounted on the following surfaces:

- A flat combustible (burnable) surface.
- A raised wooden platform.
- A concrete block or other solid object placed beneath each of the four corners of the appliance.

To mount the appliance:

1. Choose unit location.
2. Four (4) nailing flanges are supplied with the fireplace (found on the fireplace hearth). To level the box and secure it firmly in place, remove the nailing flanges from the hearth and install at the sides of the fireplace as shown in Figure 6.

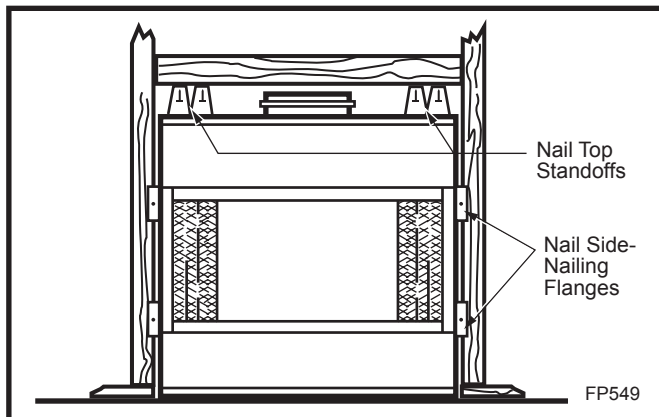


Fig. 6 Adjustable drywall strip (nailing flange).

Finishing



CAUTION: All joints between the finished wall and the appliance surround (top and sides) may be sealed only with non-combustible material. Only noncombustible material can be applied as facing to the appliance surround (the black painted face).

When finishing the appliance, never obstruct or modify the air inlet/outlet grilles in any manner.

Finish the wall with the material of your choice. Refer to Figures 5a and 5b for specific clearances when installing a combustible mantel or other combustible projection.

Units: F34AR0, F34BR0, F34HR0, F34AC0, F34BC0, F34HC0, G34AR0, G34BR0, G34HR0, G34AC0, G34HC0

Gas Specification				
Model	Fuel	Gas Control	Max. Input	Min. Input
NVBR36RN	Natural	Millivolt Hi/Lo	30,000	21,500
NVBC36RN	Natural	Millivolt Hi/Lo	30,000	21,500
NVBR36RP	Propane	Millivolt Hi/Lo	30,000	22,000
NVBC36RP	Propane	Millivolt Hi/Lo	30,000	22,000
NVBR36EN	Natural	Electronic Ignition	30,000	21,500
NVBC36EN	Natural	Electronic Ignition	30,000	21,500
NVBR36EP	Propane	Electronic Ignition	30,000	22,000
NVBC36EP	Propane	Electronic Ignition	30,000	22,000
NVBR42RN	Natural	Millivolt Hi/Lo	30,000	21,500
NVBC42RN	Natural	Millivolt Hi/Lo	30,000	21,500
NVBR42RP	Propane	Millivolt Hi/Lo	30,000	21,500
NVBC42RP	Propane	Millivolt Hi/Lo	30,000	21,500
NVBR42EN	Natural	Electronic Ignition	30,000	21,500
NVBC42EN	Natural	Electronic Ignition	30,000	21,500
NVBR42EP	Propane	Electronic Ignition	30,000	22,000
NVBC42EP	Propane	Electronic Ignition	30,000	22,000

Air Shutter	
Model	Gap
NVBR36RN, NVBC36RN, NVBR36EN, NVBC36EN	8 mm
NVBR42RN, NVBC42RN, NVBR42EN, NVBC42EN	10 mm
NVBR36RP, NVBC36RP, NVBR36EP, NVBC36EP	2 mm
NVBR42RP, NVBC42RP, NVBR42EP, NVBC42EP	2 mm

Gas Inlet & Manifold Pressures		
	Natural	LP
Minimum Inlet Pressure	5.5" w.c.	11.0" w.c.
Maximum Inlet Pressure	14.0" w.c.	14.0" w.c.
Manifold Pressure	3.5" w.c.	10.0" w.c.

**NVBR36 / NVBC36 / NVBC42 / NVBR42
Certified to
ANSI Z21.50b-2002 / CSA 2.22b-2002
Vented Gas Fireplace**

High Elevations

Input ratings are shown in BTU per hour and are certified without deration for elevations up to 4,500 feet (1,370m) above sea level.

For elevations above 4,500 feet (1,370m) in USA, installations must be in accordance with the current ANSI Z223.1/NFPA 54 and/or local codes having jurisdiction.

In Canada, please consult provincial and/or local authorities having jurisdiction for installations at elevations above 4,500 feet (1,370m).

Parts Identification and Chase Installation

(Insulation methods shown are optional for cold climate, not a requirement for unit operation.)

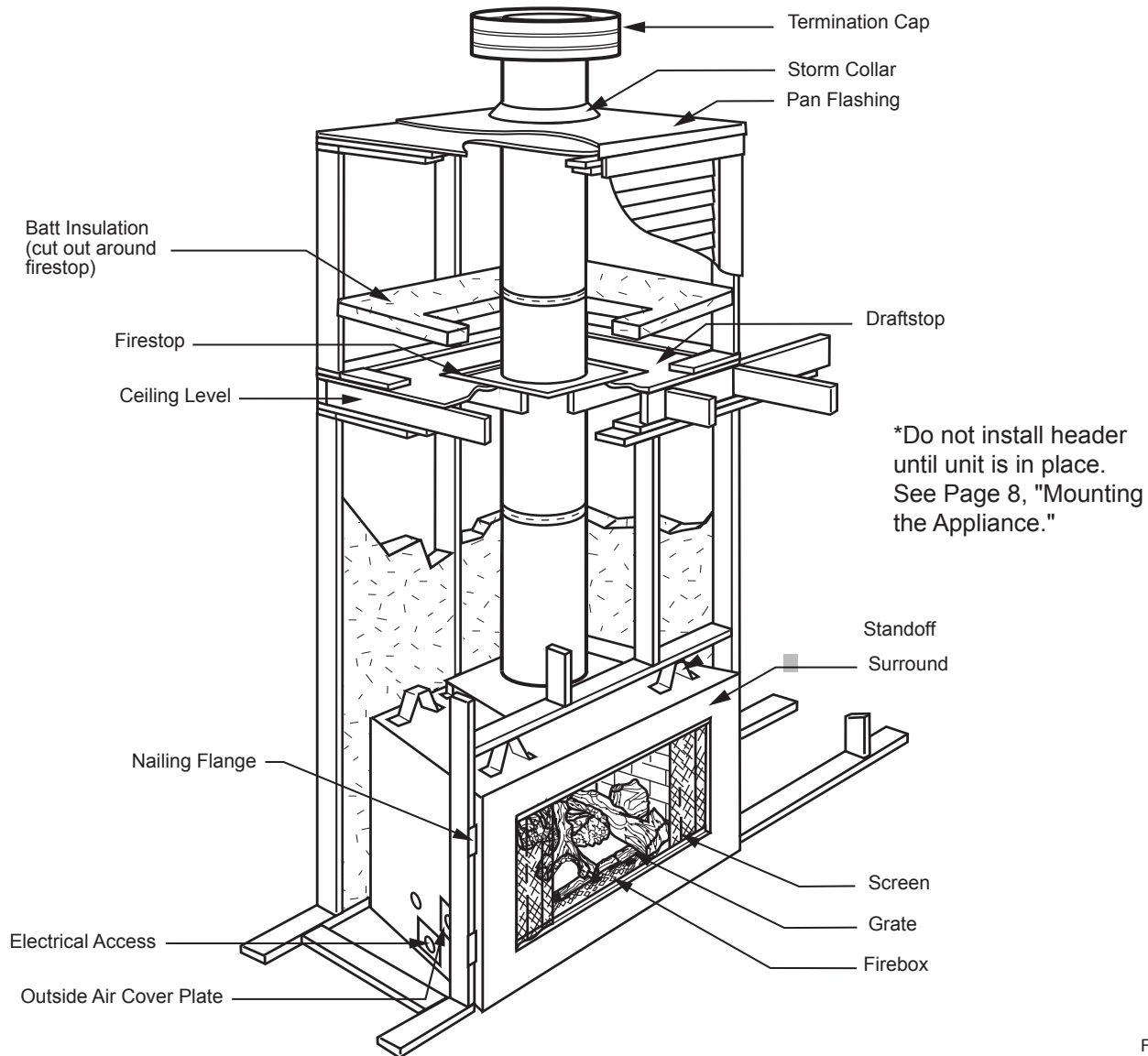


Fig. 7 Parts identification and system installation.

Gas Line Installation

This appliance must be isolated from the gas supply piping system by closing its individual manual shut off valve during any pressure equal to or less than 1/2 psig (3.45 kPa).

The appliance and its individual shutoff valve must be disconnected from the gas supply piping system during any pressure testing of that system at test pressures in excess of 1/2 psig (3.45 kPa).

If gas piping from the source to the appliance location has not been accomplished, install the required pipe. Consult local plumbing code to assure proper pipe size.

The gas pipeline can be brought in through the right side of the appliance. A knockout is provided to allow for the gas pipe installation and testing of any gas connection. It is most convenient to bring the gas line in from the right side, as this allows fan installation or removal without disconnecting the gas line.

NOTE: The gas line connection can be made with 3/8" copper tubing approved for propane or natural gas, 1/2" rigid pipe or an approved flex connector, then reduced to 3/8" to the appliance. Because some municipalities have some additional local codes, it is always best to consult your local authority.

U.S.: Consult the current National Fuel Gas Code, ANSI Z223.1/NFPA 54.

Canada: CSA - B149.1 installation code.

Test for leaks. Use a 50/50 solution of liquid soap and water to test for leaks at gas fittings and joints. Apply water/soap solution with brush only - *do not over apply*. **NEVER** test with an open flame.

The gas control is equipped with a captured screw type pressure test point, therefore it is not necessary to provide a 1/8" test point up stream of the control.

When using copper or flex connector use only approved fittings. **Always provide a union** so that gas line can be easily disconnected for burner or fan servicing. See gas specification for pressure details and ratings. **NOTE:** If flex connector is used, it must be kept inside of the appliance. (Fig. 8)

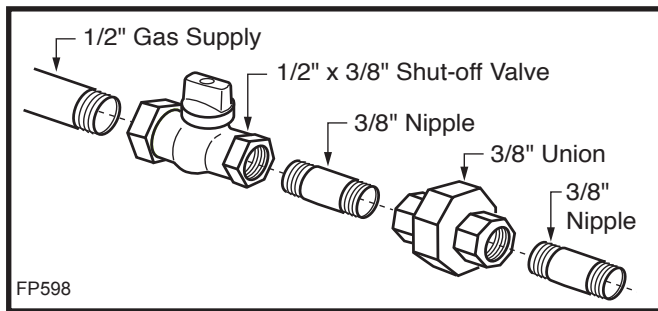


Fig. 8 Typical gas supply installation.

Remote Wall Switch

1. Thread wire through the electrical knockout located on side of unit. Do not cut wire or insulation on metal edges. Ensure that wire is protected. Run the other end to a conveniently located wall receptacle box.
2. Attach wire to switch and install switch into receptacle box. Attach cover plate to switch.
3. Connect wiring to gas valve. Refer to Figure 9 or 10.



CAUTION: Do not wire millivolt remote wall switch for gas appliance to a 120v power supply.

For lighting instructions, see Page 14.

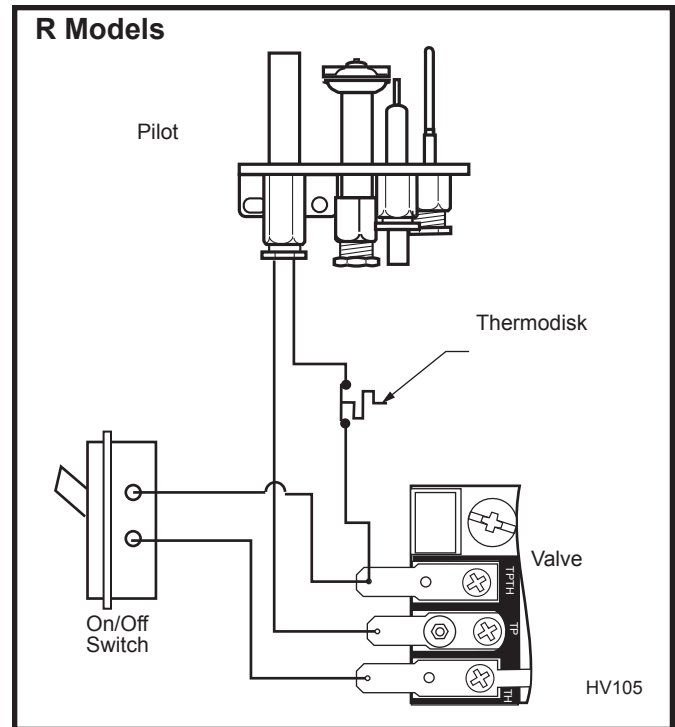


Fig. 9 Remote switch wiring for R Models.

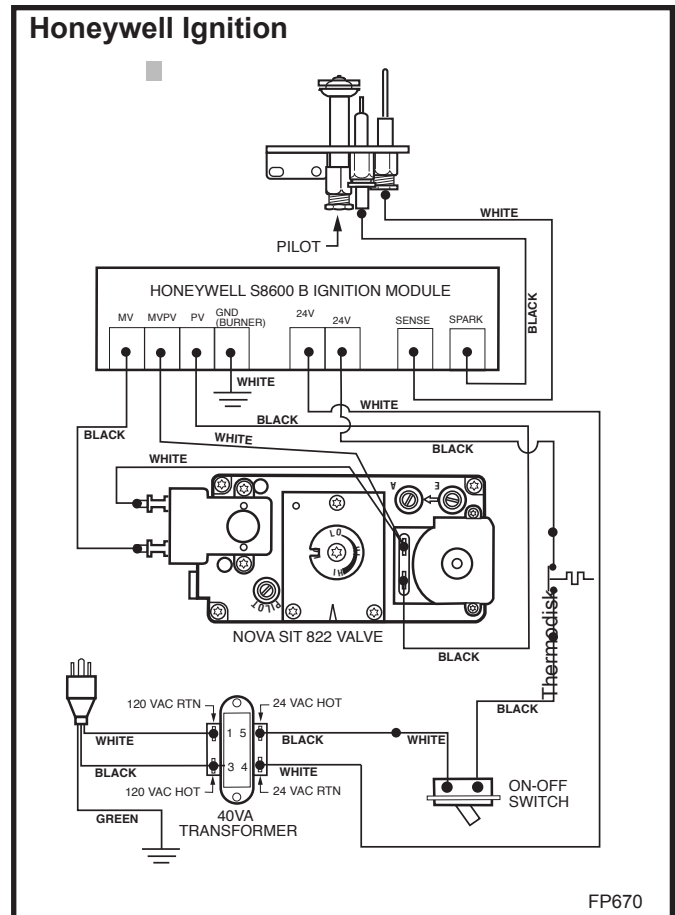


Fig. 10 Remote switch wiring for E Models

EB-1 Electrical Box



The fireplace, when installed, must be electrically connected and grounded in accordance with local codes or, in the absence of local codes, with the current CSA C22.1 Canadian Electrical Code.



For USA installations, follow local codes and the National Electrical Code, ANSI/NFPA No. 70.



It is strongly suggested that the wiring of the EB-1 electrical junction box be carried out by a licensed electrician.



Ensure that the power to the supply line has been disconnected before commencing this procedure.

Once the fireplace is secured, complete wiring the fan kit. Remove knockout in the center of the back of the EB1 and install listed cable clamps. Feed electrical wire through cable clamp leaving approximately six (6) inches of wire exposed through the EB1. Secure cable clamp to the wire.

Attach white wire from power source to one (1) wire of receptacle and secure with a nut. Attach black wire from power source to the other wire of the receptacle and secure with a nut. Be sure nuts are tightened securely.

Secure the EB1 assembly to the inside of the electrical box coverplate using two (2) screws. Attach the cover to the face of the EB1 while being careful to position excess wire completely within the EB1. Attach the coverplate to the fireplace. (Fig. 11)

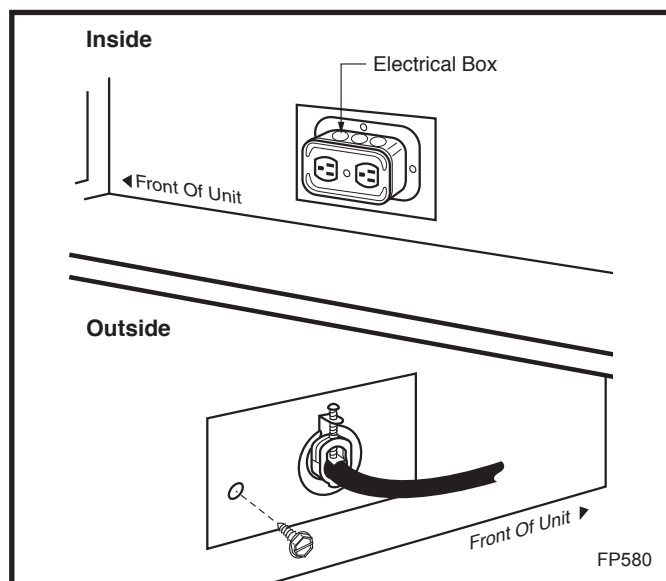


Fig. 11 Junction box (EB-1) hook-up.

Install the Venting System, Flashing and Termination

See venting installation instructions provided by the B-Vent manufacturer.

Refer to Pages 4-5, Figures 1-4 to locate chimney centerline dimension from a combustible back wall.

- Minimum vertical chimney height — 12 feet (3.65 m).
- Maximum vertical height — 40 feet (12 m).
- Minimum height with two 90° elbows — 16 feet (4.06m)
- Elbow requirements allow a maximum of two 90° elbows or four 45 degree elbows per installation. (Two 45 degree elbows = One 90° elbow.) See venting chart for proper elbow offset runs. Use Table 4 for NVB36/42 installations when not installing the GSKBB Single Panel Glass Door. Use Table 5 for NVB36/42 installations when installing the GSKBB Single Panel Glass Door.

For firestop positioning, refer to Figure 12. Only one (1) firestop required per frame. **NOTE:** A firestop is not required at the roof.

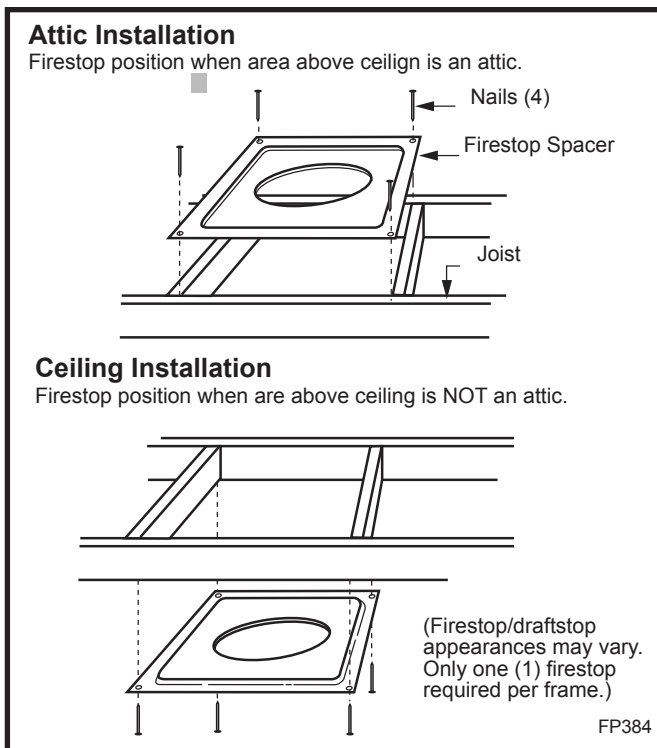


Fig. 12 Firestop/draftstop positions.

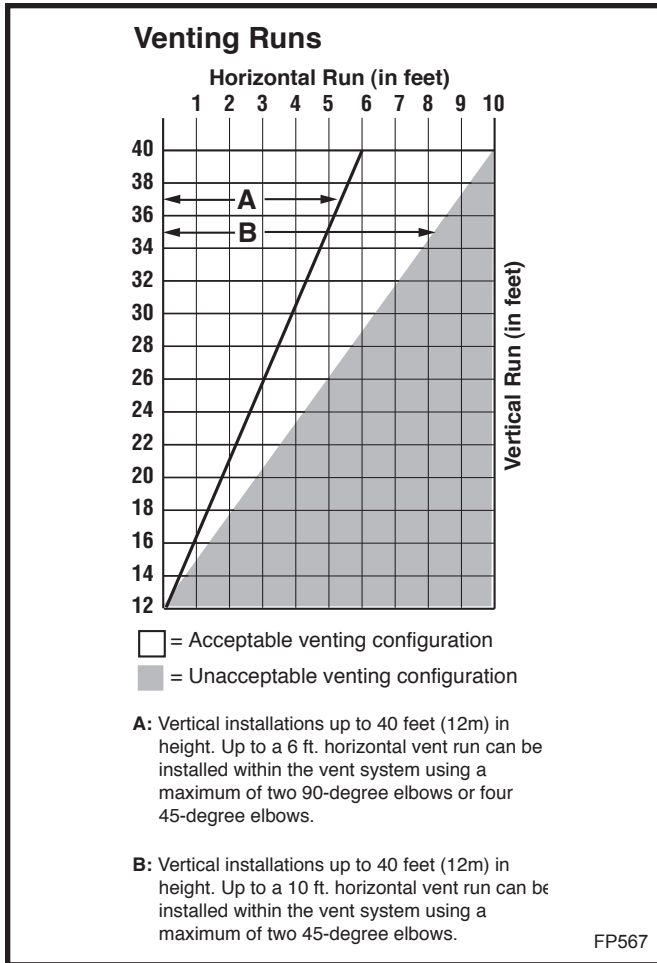


Fig. 13 Venting configurations.

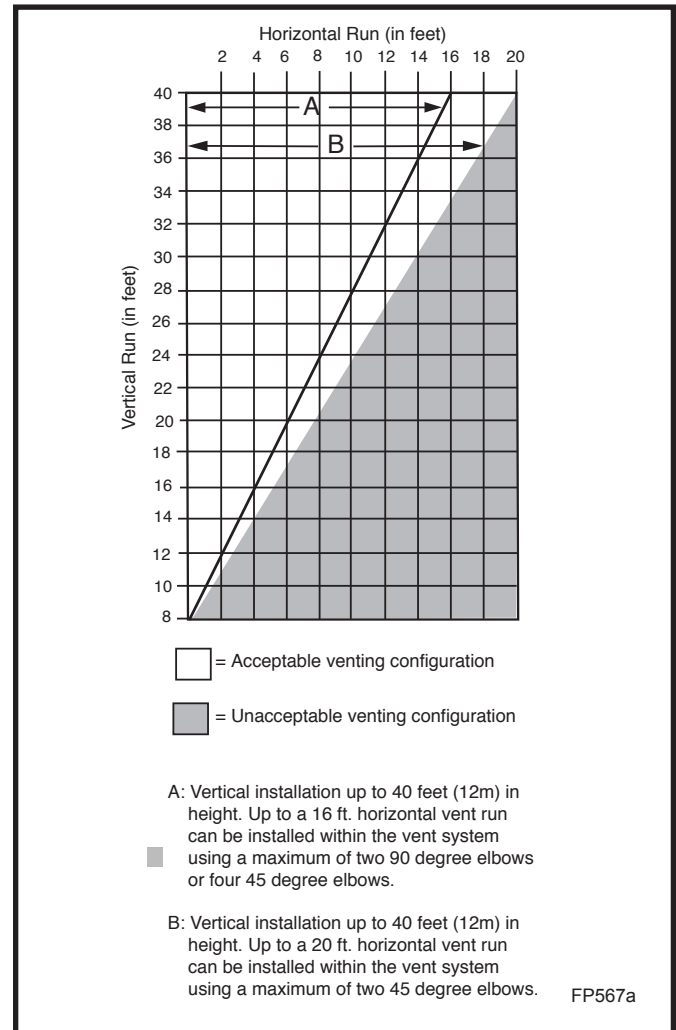


Fig. 14 Venting configurations when installing 36GSKBB.

Operating Instructions

Glass Information



Only glass approved for use in Majestic Fireplaces products may be used for replacement.

- Glass doors are optional. The appliance may be operated safely without glass doors.
- The use of any non-approved replacement glass will void all product warranties.
- Bi-fold glass doors **MUST BE** completely open or closed while the appliance is in operation.
- Care must be taken to avoid breakage of the glass.
- Under no circumstances should this appliance be operated with broken glass. Replacement of the glass as supplied by the manufacturer should be completed by a licensed qualified service person.
- Replacement glass is available through your Majestic Fireplaces dealer and should only be installed by a licensed qualified service person.

Glass Cleaning

It will be necessary to clean the glass periodically. During start-up, condensation, which is normal, forms on the inside of the glass and causes lint, dust and other airborne particles to cling to the glass surface. Also, initial paint curing may deposit a slight film on the glass. It is therefore recommended that the glass be cleaned two or three times with a non-ammonia household cleaner and warm water (we recommend gas fireplace glass cleaner). After that the glass should be cleaned two or three times during each heating season depending on the circumstances present.



Clean glass after first two weeks of operation.

Log Installation

1. Open glass door (if installed).
2. Remove logs from the packaging.



As with all plastic, these bags are not toys and should always be kept away from children and infants.

3. Place left rear log on rear log support. Ensure that log is firmly positioned and there is no side-to-side movement. (Figs. 15 & 16)
4. Carefully place Ember Left and Right Logs between grate and burner. (Figs. 15 & 16)
5. Place the front of right rear log on the burner and the back of the log on the rear log support.
6. Place the top logs onto the locator notches. Ensure the logs are secure. (Fig. 15 & 16)

Ember Material Placement

Separate the ember material into small pieces, roughly 1/2" in diameter and place **on bracket** over front burner tube. Do not pack down; leave in loose, fluffy condition for most realistic ember effect. (Fig. 15 & 16)

Lava Rock

The lava rock provided with this fireplace must be placed on the firebox base on either side of the burner assembly.

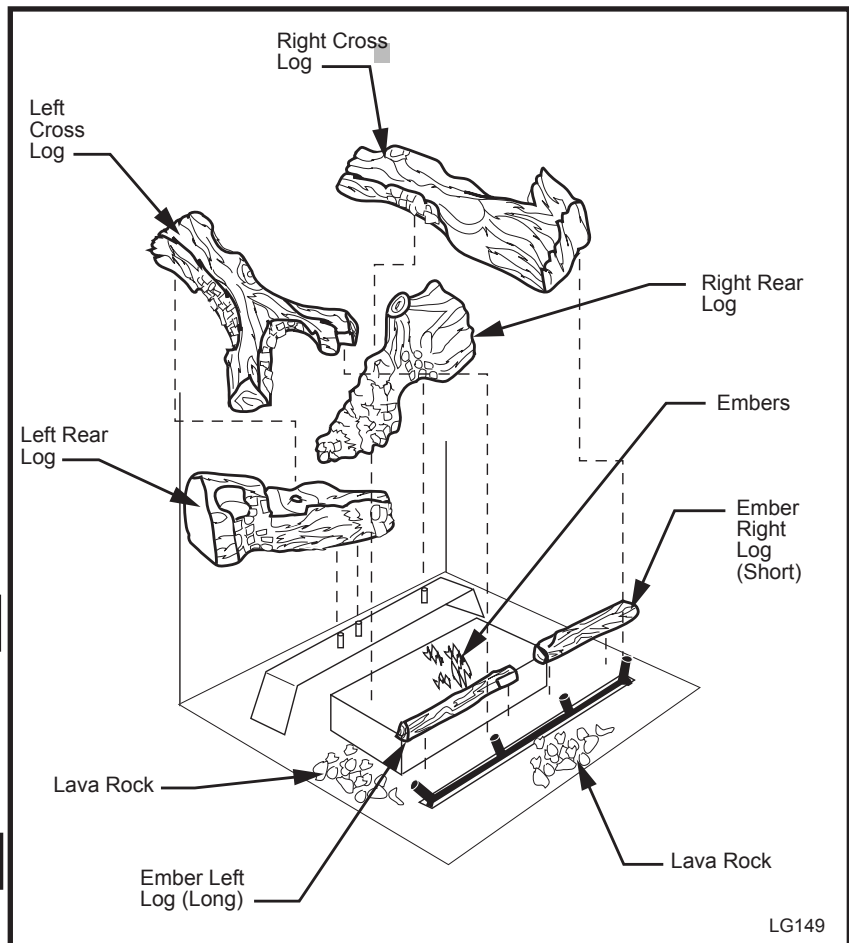
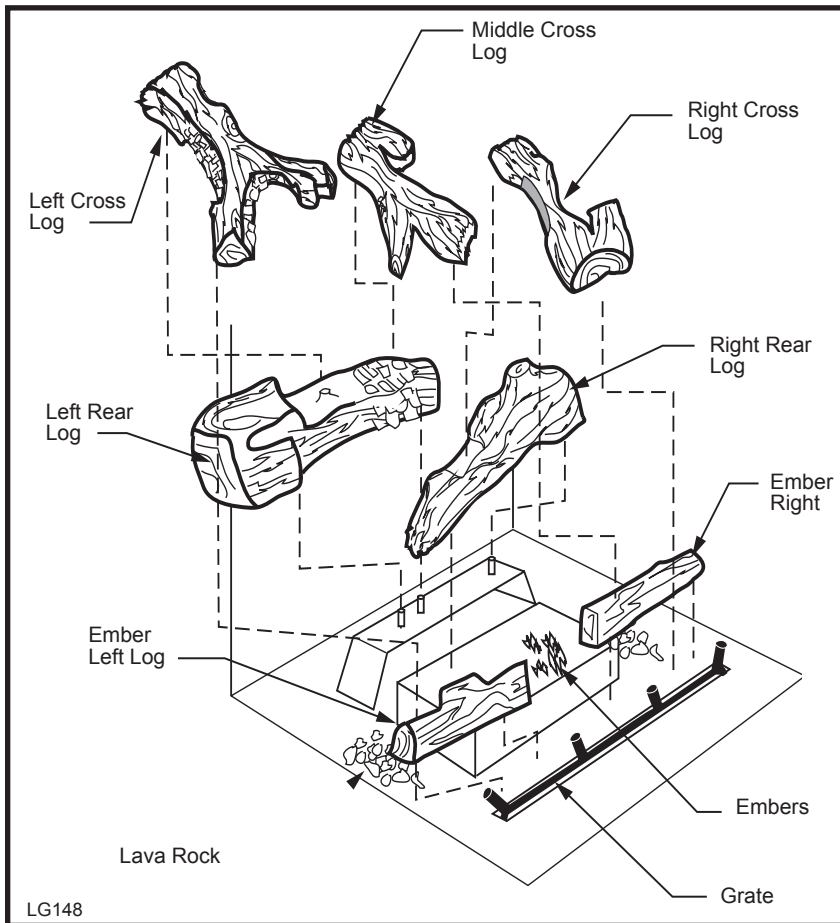


Fig. 15 NVB36 log placement.



LG148

Fig. 16 NVB42 log placement.



Under no circumstances should lava rock be placed on any part of the burner assembly.

First Firing

Upon completing the gas line connection, a small amount of air will be trapped in the line. When first lighting the unit with pilot light, it will take a few minutes to purge the trapped air. Once purging is complete, the pilot and burner will light and operate as indicated in the instruction manual. Subsequent lightings of the appliance will not require purging.

When lit for the first time, the appliance will emit a slight odor for an hour or two. This is due to paint and lubricants used in the manufacturing process. After each lighting, vapor may condense and fog the glass; this moisture disappears in a few minutes of burning.

Flame Adjustment

For units equipped with Hi/Lo valves, flame adjustment is accomplished by rotating the Hi/Lo adjustment knob located near the center of the gas control.

Flame Characteristics

It is important to periodically perform a visual check of the pilot and the burner flames. Compare them to the illustrations below (Figs. 18, 19, 20). If any of the flames appear abnormal call a service person.

Inspecting the Venting System

The appliance venting system was designed and constructed to develop a positive flow adequate to remove flue gases to the outside atmosphere.

Any foreign objects in the venting system, except those designed specifically for the venting system, may cause spillage of flue gases (i.e.: carbon monoxide) into the room.

To inspect the venting system, make sure the main gas valve is off. Remove the glass panel. Using a flashlight, check the combustion dome and behind the top grille. Clean if necessary.



Fig. 17 Flame adjustment knob for SIT820 valve.

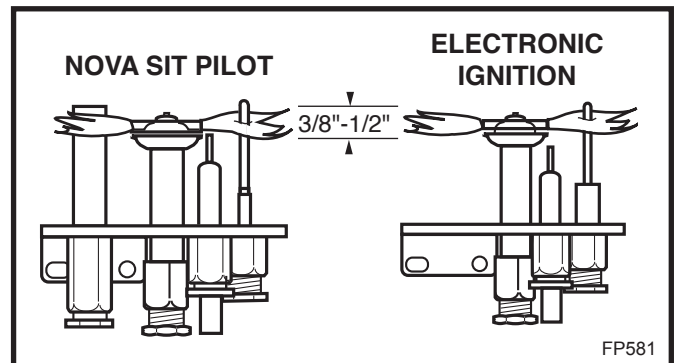


Fig. 18 Proper pilot flame height.

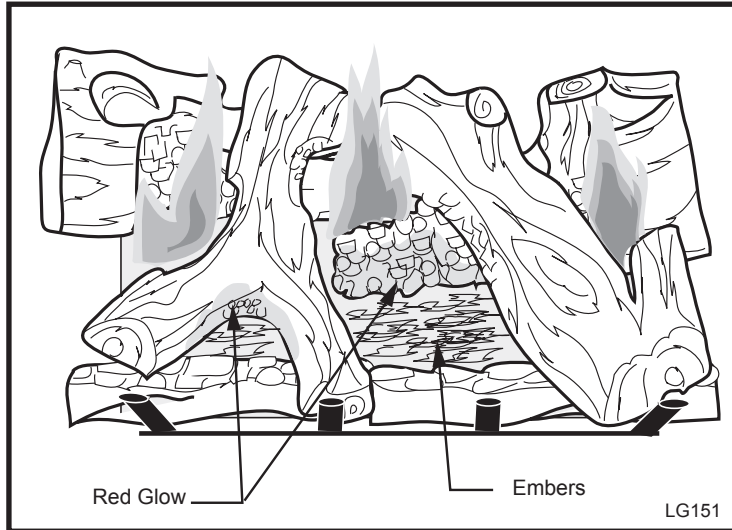


Fig. 19 NVB36 flame appearance.

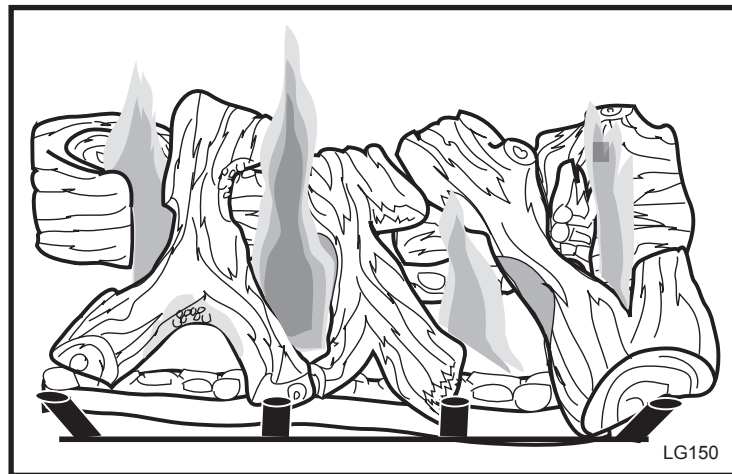


Fig. 20 NVB42 flame appearance.


Lighting and Operating Instructions

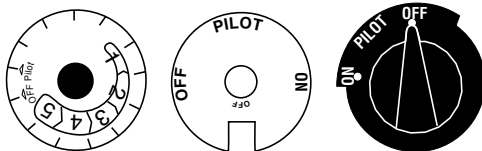
FOR YOUR SAFETY READ BEFORE LIGHTING

WARNING: If you do not follow these instructions exactly, a fire or explosion may result causing property damage, personal injury or loss of life.


- A. This heater has a pilot which must be lit manually. When lighting the pilot follow these instructions exactly.
 - B. BEFORE LIGHTING smell all around the heater area for gas. Be sure to smell next to the floor because some gas is heavier than air and will settle on the floor.
- WHAT TO DO IF YOU SMELL GAS**
- Do not try to light any fireplace
 - Do not touch any electric switch
 - Do not use any phone in your building
 - Immediately call your gas supplier from a neighbor's phone. Follow the gas supplier's instructions.
- If you cannot reach your gas supplier, call the Fire Department
 - C. Use only your hand to push in or turn the gas control knob. Never use tools. If the knob will not push in or turn by hand, do not try to repair it, call a qualified service technician. Applying force or any attempted repair may result in a fire or explosion.
 - D. Do not use this fireplace if any part has been under water. Immediately call a qualified service technician to inspect the heater and to replace any part of the control system and any gas control which has been under water.

Lighting Instructions

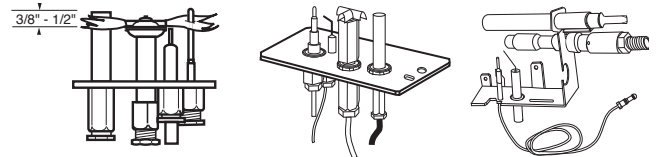
1. **STOP!** Read the safety information above.
2. Turn **OFF** all electrical power to the fireplace.
3. For MN/MP/TN/TP appliances ONLY, go on to Step 4. For RN/RP appliances turn the On/Off switch to "**OFF**" position or set thermostat to lowest level.
4. Open control access panel.
5. Push in gas control knob slightly and turn clockwise  to "**OFF**".



Euro SIT SIT NOVA Honeywell


6. Wait five (5) minutes to clear out any gas. Then smell for gas, including near the floor. If you smell gas, **STOP!** Follow "B" in the safety information above. If you do not smell gas, go to the next step.
7. Remove glass door before lighting pilot. (See Glass Frame Removal section).
8. Visibly locate pilot by the main burner.
9. Turn knob on gas control counterclockwise  to "**PILOT**".

10. Push the control knob all the way in and hold. Immediately light the pilot by repeatedly depressing the piezo spark ignitor until a flame appears. Continue to hold the control knob in for about one (1) minute after the pilot is lit. Release knob and it will pop back up. Pilot should remain lit. If it goes out, repeat steps 5 through 8.



- If knob does not pop up when released, stop and immediately call your service technician or gas supplier.
 - If after several tries, the pilot will not stay lit, turn the gas control knob to "**OFF**" and call your service technician or gas supplier.
11. Replace glass door.
 12. Turn gas control knob to "**ON**" position.
 13. For RN/RP appliances turn the On/Off switch to "**ON**" position or set thermostat to desired setting.
 14. Turn on all electrical power to the fireplace.

To Turn Off Gas to Heater

1. Turn the On/Off switch to "**OFF**" position or set the thermostat to lowest setting.
2. Turn off all electric power to the fireplace if service is to be performed.
3. Open control access panel.
4. Push in gas control knob slightly and turn clockwise  to "**OFF**". Do not force.
5. Close control access panel.

Lighting and Operating Instructions

For Fireplaces equipped with SIT822 Gas Valve (EN or EP)

Warning: If you do not follow these instructions exactly, a fire or explosion may result causing property damage, personal injury and loss of life.

FOR YOUR SAFETY READ THE FOLLOWING WARNINGS BEFORE LIGHTING THE APPLIANCE

- A. This fireplace is equipped with an ignition device which automatically lights the pilot. **DO NOT** try to light the pilot by hand.
- B. **BEFORE OPERATING**, smell all around the appliance area for gas. Be sure to smell next to the floor because some gas is heavier than the air and will settle on the floor.

What to do if you smell gas

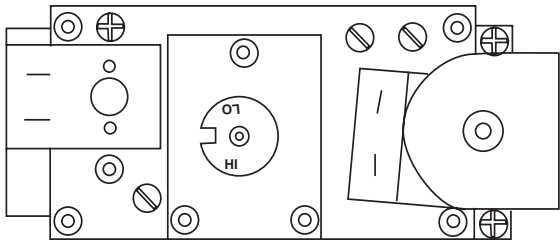
- **Do not try to light any appliance**
- **Do not operate any electrical switch.**
- **Do not use any phone in your building.**
- **Immediately call your gas supplier from a neighbor's phone.**

Follow the gas suppliers instructions.

- **If you cannot contact your gas supplier call the Fire Department**
- C. Use only your hand to push in or turn the gas control knob. Never use tools. If the knob will not push in or turn by hand do not try to repair it, call a qualified service technician. Force or attempting repair may result in a fire or explosion.
- D. Do not use this appliance if any part has been under water. Immediately call a qualified service technician to inspect the appliance and replace any part of the control system and any gas control that has been under water.

Lighting Instructions

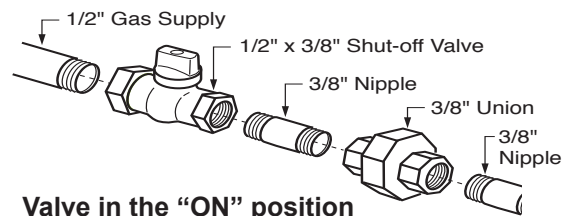
1. **STOP!** Read the safety information above before continuing.
2. Turn off all electrical power to the appliance.
3. This appliance is equipped with an ignition device which automatically lights the pilot. **DO NOT** try to light the pilot by hand.
4. Access the gas control by lowering the lower access door (louvre assembly).



5. Turn the remote switch, if used, OFF. Turn the wireless remote, if used, OFF.
6. Wait five (5) minutes to clear out any gas. Then smell for gas, including near the floor. If you smell gas STOP. Follow instructions B in the safety warnings above. If you do not smell gas go onto the next step.
7. Close the access door.
8. Turn ON all electrical power to the appliance.
9. Turn remote switch or wireless remote to "ON".
10. If the appliance will not operate, follow the instructions TURNING OFF THE GAS TO THE APPLIANCE and call your service technician or gas supplier.

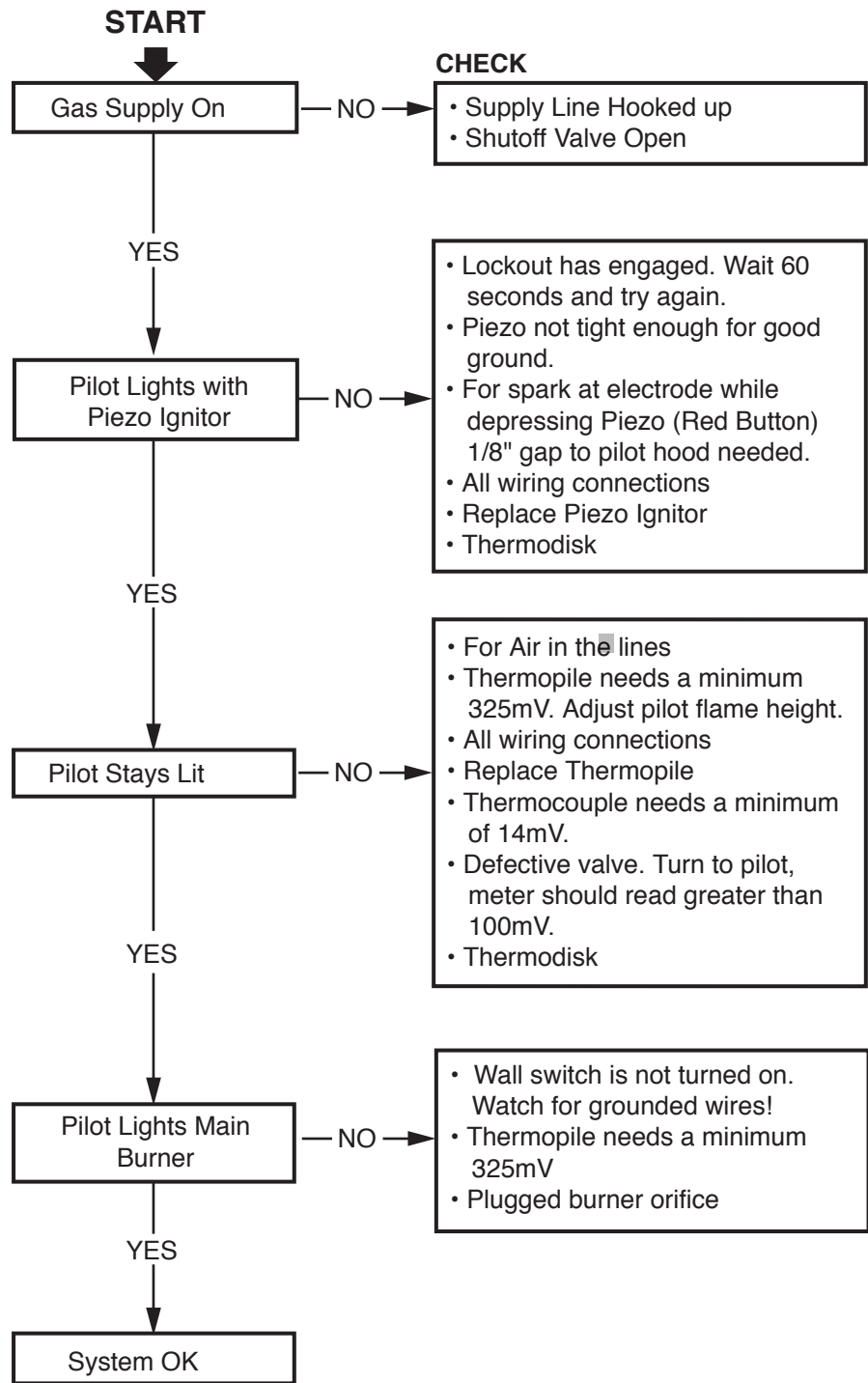
Turning Off the Gas to the Appliance

1. Turn the remote switch to the "OFF" position.
2. Turn OFF all electrical power to the fireplace if service is required.
3. Open the lower access panel.
4. Turn the shut-off valve on the flexible gas line to the "OFF" position.



Troubleshooting

Nova SIT 820 Standing Pilot

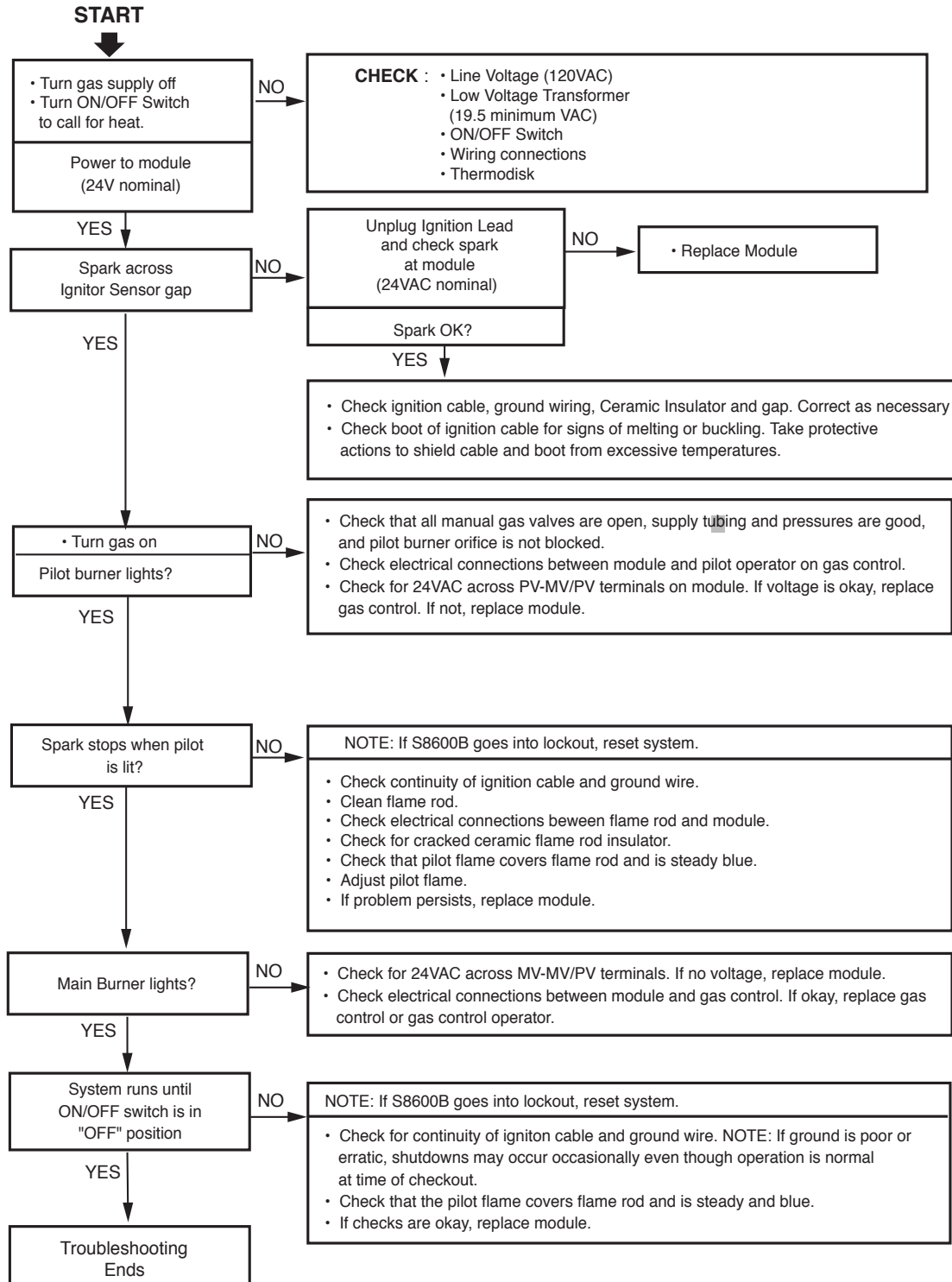


Troubleshooting

NOVA SIT 822 with Honeywell S8600 B Electronic Ignition



Remove glass panel before servicing.



Maintenance

Burner and Burner Compartment

It is important to keep the burner and the burner compartment clean. At least once per year the logs and lava rock/ember material should be removed and the burner compartment vacuumed and wiped out. Remove and replace the logs as per the instructions in this manual.

Always handle the logs with care as they are fragile and may also be hot if the fireplace has been in use.

FK12 Fan Assembly

The fan unit requires periodic cleaning. At least once per month in the operating season, open the lower louver panels and wipe or vacuum the area around the fan to remove any build up of dust or lint.

Brass Trim

Clean the brass trim pieces using a soft cloth lightly dampened with lemon oil. Do not use water or household cleaners on any brass components.

Contact your local representative to arrange an annual service program.

Cleaning the Standing Pilot Control System

The burner and control system consists of:

- main burner
- gas orifice
- pilot burner
- thermopile
- combination millivolt gas valve

Most of these components may require only an occasional checkup and cleaning and some may require adjustment. If repair is necessary, it should be performed by a qualified technician.

In order to properly clean the burner and pilot assembly, turn off the gas to the unit, open the glass door (if used), remove logs exposing the burner and pilot assembly. Clean all foreign materials from the top of the burner. Check to make sure that burner parts are clean. Visually inspect pilot. Brush or blow away any dust or lint accumulation. If pilot orifice is plugged, disassembly may be required to remove any foreign material from the orifice or tubing.

To obtain proper operation, it is imperative that the pilot and burner's flame characteristics are steady, not lifting or floating.

Typically, the top 3/8" or 1/2" of the thermopile should be engulfed in the pilot flame. (Fig. 21)

To adjust pilot burner, turn pilot screw marked "pilot" for proper flame size.

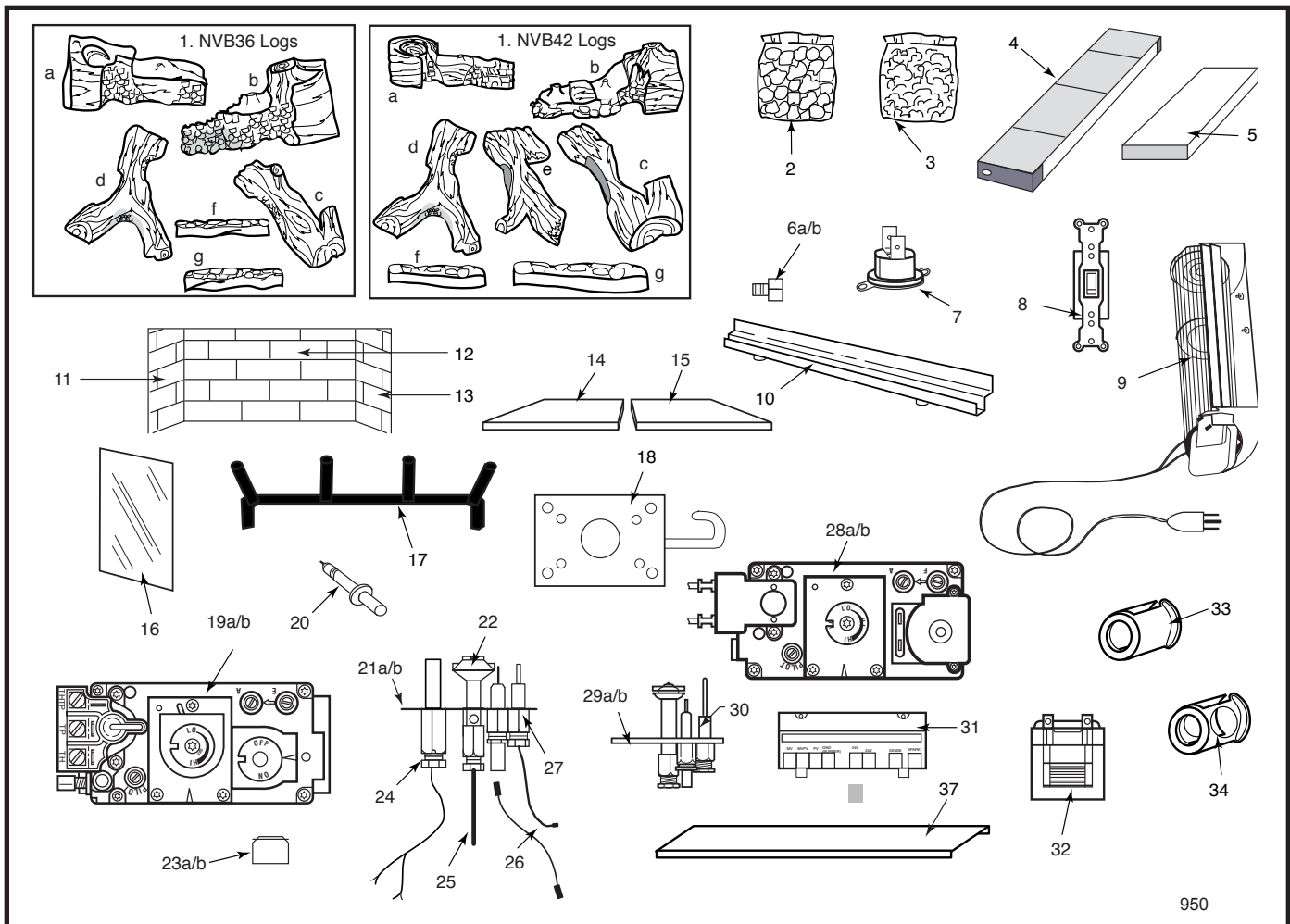
The air shutter is set at factory no adjustment should be necessary.

Cleaning Electronic Ignition System

The Electronic Ignition burner/control system consists of:

- main burner
- gas orifice
- pilot burner
- 24VAC valve with transformer

Taking care of the Electronic Ignition units is almost identical to taking care of the Standing Pilot models.



950

CFM Corporation reserves the right to make changes in design, materials, specifications, prices and discontinue colors and products at any time, without notice.

NVB Series

Ref.	Description	NVB36	NVB42
1.	Logs - Complete Set	20003868	20003910
1a.	Log - Left Rear	20003862	20003904
1b.	Log - Right Rear	20003863	20003905
1c.	Log - Right Cross	20003864	20003906
1d.	Log - Left Cross	20003865	20003865
1e.	Log - Center Cross	--	20003907
1f.	Log - Left Ember (Long)	20003866	20003908
1g.	Log - Right Ember (Short)	20003867	20003909
2.	Lava Rock Package	20000376	20000376
3.	Bag of Embers	7060109	7060109
4.	Burner Housing w/Tile	20003791	20003953
5.	Ceramic Tile (single)	57803	57803
6a.	Burner Orifice - Natural (Manifold & Orifice)	20003532	20003547
6b.	Burner Orifice - LP (Manifold & Orifice)	20003541	20003552
7.	Thermodisk	20001558	20001558
8.	Remote Switch Kit	53875	53875
9.	Fan	ZA1110	ZA1110
10.	Door Track - Black	3061102	3062102

NVB (continued)

Ref.	Description	NVB36	NVB42
	Door Track - Brass	3067102	3072102
11.	Side Brick - Left	3030104	3030104
12.	Back Brick	3030102	3032102
13.	Side Brick - Right	3030160	3030160
14.	Ceramic Panel - Left	3043132	3051120
15.	Ceramic Panel - Right	3043133	3051119
16.	Glass	7540637	7540642
17.	Grate	20000612	20000539
18.	O.S.A. Assy.	20003076	20003076
19a.	Valve Nova - Natural	7529141	7529141
19b.	Valve Nova - LP	7529142	7529142
20.	Piezo Ignitor	52464	52464
21a.	Pilot Top Convertible - Natural (3 Way Assembly)	10002264	10002264
21b.	Pilot Top Convertible - LP (3 Way Assembly)	10002265	10002265
22.	Electrode Ignitor w/Cable	10001297	10001297
23a.	Pilot Orifice - Natural	10002268	10002268
23b.	Pilot Orifice - LP	10002269	10002269
24.	Thermopile 18"	7533113	7533113
25.	Pilot Tubing	10001296	10001296
26.	Cable Ignitor 24"	7522432	7522432
27.	Thermocouple 24"	7531137	7531137
28a.	E. Valve - Natural	57884	57884
28b.	E. Valve - LP	57883	57883
29a.	E. Pilot Assy. - Natural (4 Way)	10002387	10002387
29b.	E. Pilot Assy. - LP (4 Way)	10002388	10002388
30.	Sensing Electrodes	57885	57885
31.	Ignition Device - Honeywell	20000005	20000005
32.	Transformer	7522409	7522409
33.	Air Shutter - Natural	20000129	20000129
34.	Air Shutter - LP	20000680	20000680
35.	Conversion Kit - Natural	20003893	20003893
36.	Conversion Kit - LP	20003894	20003894
37.	Hearth Cover Shield	3043118	3051121

Contact CFM Corporation for questions concerning prices and policies covering replacement parts. Parts may be ordered through your Majestic Fireplaces distributor or dealer.

You will need the following information when ordering replacement parts:

1. The appliance model number.
2. The serial number.
3. A description of the part.

Should you need additional information beyond what your dealer can furnish, contact:

CFM Corporation
 410 Admiral Blvd.
 Mississauga, Ontario, Canada L5T 2N6
 Attn: Manager of Customer Service

Model and serial numbers are listed on the rating plate (located on right side of combustion chamber).

Record your model and serial numbers here for future reference:

Model # _____

Serial # _____

Optional Accessories

Fan Kit

The FK12 fan kit is available for use on the NVBC36 and NBVC42 model appliances only.

Auxiliary fan systems increase the efficiency of the circulation of the heating air. The FK12 fan assembly is a fixed speed fan system and does not allow for variable speed control.

Installation

Remove the 2 ceramic fiber refractory panels by carefully lifting them out of the fireplace. Next, remove the access panel by pulling it up and out from the side edge of the panel. Use caution — the panel edges may be sharp.

Center the fan assembly over the mounting location and secure it with the Velcro® strips at the back of the fireplace.

Insert the plug into the receptacle (EB1) located against the lower right side wall of the fireplace.

Caution: Be sure that no wires are pinched.

Prior to reinstalling the access panel and the hearth brick, it is advisable to operate the wall switch on and off to assure fan operation. If the fan does not operate and you are assured that 115 VAC power is present at the receptacle, contact your Dealer.

Reinstall the access panel and hearth brick by reversing Step 1.

WARNING: Never contact blower wheels during operation.

Speed Control

The SCVS variable speed control is available to allow speed adjustment of the fan.

Electrical Connection

The EB-1 electrical junction box is available for use with the fan kits. The EB-1 is standard on the electronic ignition models.

Glass Doors

Bi-fold and single panel glass doors are available to enhance the viewing of the fireplace.

Appliance Models	Glass Doors
NVBR36/NVBC36	36GSKBB 36GDKBB 36GDKBK 36GDKDP 36GDKS

Appliance Models	Glass Doors
NVBR42/NVBC42	42GSKBB 42GDKBB 42GDKBK 42GDKDP 42GDKS

Outside Air Kit

The Model AK-MST Outside Air Kit is designed to bring additional combustion air directly from the outside to the fireplace. Refer to installation instructions provided with the Outside Air Kit.

Thermal Vent Damper

Installing the TVD6/7 Thermal Vent Damper reduces cold air infiltration when fireplace is not in use by opening and closing automatically.

Attach the thermal vent damper to the combustion dome with 2 screws. Be sure the tab points down. (Fig. 21)

Start the appliance and operate it for approximately 5 minutes. Turn the unit off and check if the vent damper is in the open position (blades down from the horizontal position). If the damper has not opened, check installation.

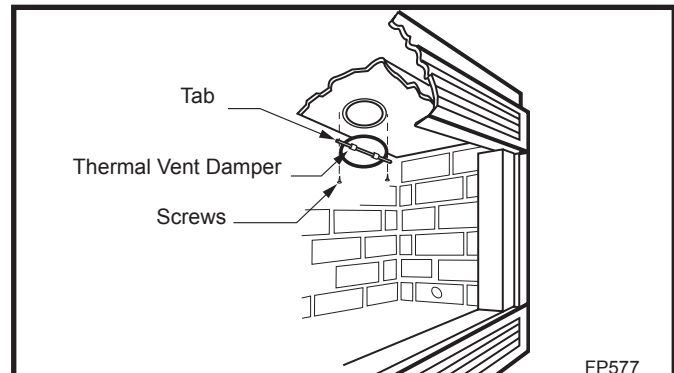


Fig. 21 Attach the thermal vent damper.

Remote Controls

Optional remote control units are available to control different functions of the appliance.

Model	Function/s Controlled
RC1	“ON/OFF”
RC2	“ON/OFF” and Temperature

Shrouds

Decorative shrouds are available to enhance the appearance of the termination cap.

Square Shroud	SLSBL
---------------	-------

LIMITED LIFETIME WARRANTY

PRODUCT COVERED BY THIS WARRANTY

All Vermont Castings gas stoves, gas inserts, and gas fireplaces, and all Majestic or Northern Flame brand gas fireplaces equipped with an Insta-Flame Ceramic Burner, or standard steel tube burner.

BASIC WARRANTY

CFM Corporation (hereinafter referred to collectively as the Company) warrants that your new Vermont Castings or Majestic Gas Fireplace/Stove is free from manufacturing and material defects for a period of one year from the date of purchase, subject to the following conditions and limitations.

EXTENDED LIFETIME WARRANTY

The heat exchanger, where applicable, and combustion chamber of every Vermont Castings or Majestic gas product is warranted for life against through wall perforation. All appliances equipped with an Insta-Flame Ceramic Burner have limited lifetime coverage on the ceramic burner plaque. Warrantees are made to the original owner subject to proof of purchase and the conditions and limitations listed on this Warranty Document

COMPONENT WARRANTY

CAST IRON: All external and internal cast iron parts are warranted for a period of three years.

Note: On porcelain enamel finished external parts and accessories The Company offers no Warranty on chipping of enamel surfaces. Inspect all product prior to accepting it for any damage to the enamel.

The salt air environment of coastal areas or a high humidity environment can be corrosive to the porcelain enamel finish. These conditions can cause rusting of the cast iron beneath the porcelain enamel finish, which will cause the finish to flake off.

Dye lot variations with replacement parts and/or accessories can occur and are not covered by warranty.

GLASS DOORS: Glass doors are covered for a period of one year. Glass doors are not warranted for breakage due to misuse or accident. Glass doors are not covered for discoloration or burned in stains due to environmental issues, or improper cleaning and maintenance.

BRASS PLATED PARTS AND ACCESSORIES: Brass parts should be cleaned with Lemon oil only. Brass cleaners cannot be used. Mortar mix and masonry cleaners may corrode the brass finish. The Company will not be responsible for, nor will it warrant any brass parts which are damaged by external chemicals or down draft conditions.

GAS VALVES: Gas valves are covered for a period of one year

ELECTRONIC AND MECHANICAL COMPONENTS: Electronic and mechanical components of the burner assembly are covered for one year. All steel tube burners are warranted for one year.

ACCESSORIES: Unless otherwise noted all components and CFM Corporation company supplied accessories are covered for a period of one year.

CONDITIONS AND LIMITATIONS

- This new Vermont Castings or Majestic product must be installed by a competent, authorized, service contractor. A licensed technician, as prescribed by the local jurisdiction must perform any installation/service work. It must be installed and operated at all times in accordance with the Installation and Operating instructions furnished with the product. Any alteration, willful abuse, accident, or misuse of the product shall nullify this warranty.
- This warranty is non-transferable, and is made to the original owner, provided that the purchase was made through an authorized supplier of the Company.
- The customer must pay for any Authorized Dealer in-home travel fees or service charges for in-home repair work. It is the dealers option whether the repair work will be done in the customer's home or in the dealer's shop.

- If upon inspection, the damage is found to be the fault of the manufacturer, repairs will be authorized at no charge to the customer parts and/or labor.
- Any part and/or component replaced under the provisions of this warranty is covered for six months or the remainder of the original warranty, whichever is longest.
- This warranty is limited to the repair of or replacement of part(s) found to be defective in material or workmanship, provided that such part(s) have been subjected to normal conditions of use and service, after said defect is confirmed by the Company's inspection.
- The company may, at its discretion, fully discharge all obligations with respect to this warranty by refunding the wholesale price of the defective part(s)
- Any installation, labor, construction, transportation, or other related costs/expenses arising from defective part(s), repair, replacement, or otherwise of same, will not be covered by this warranty, nor shall the Company assume responsibility for same. Further, the Company will not be responsible for any incidental, indirect, or consequential damages except as provided by law.
- *SOME STATES DO NOT ALLOW FOR THE EXCLUSION OR LIMITATIONS OF INCIDENTAL AND CONSEQUENTIAL DAMAGES OR LIMITATIONS ON HOW LONG AN IMPLIED WARRANTY LASTS, SO THE ABOVE LIMITATIONS MAY NOT APPLY TO YOUR CIRCUMSTANCES. THIS WARRANTY GIVES YOU SPECIFIC RIGHTS AND YOU MAY HAVE OTHER RIGHTS WHICH VARY FROM STATE TO STATE.*
- All other warranties-expressed or implied- with respect to the product, its components and accessories, or any obligations/liabilities on the part of the Company are hereby expressly excluded.
- The Company neither assumes, nor authorizes any third party to assume on its behalf, any other liabilities with respect to the sale of this Vermont Castings or Majestic product
- The warranties as outlined within this document do not apply to chimney components or other non CFM Corporation accessories used in conjunction with the installation of this product..
- Damage to the unit while in transit is not covered by this warranty but is subject to claim against the common carrier. Contact the dealer from whom you purchased your fireplace/stove (do not operate the appliance as this might negate the ability to process the claim with the carrier).
- The Company will not be responsible for:
 - a) Down drafts or spillage caused by environmental conditions such as near-by trees, buildings, roof tops, hills, or mountains.
 - b) Inadequate ventilation or negative air pressure caused by mechanical systems such as furnaces, fans, clothes dryers, etc.
- This warranty is void if:
 - a) The fireplace has been operated in atmospheres contaminated by chlorine, fluorine, or other damaging chemicals.
 - b) The fireplace has been subjected to prolonged periods of dampness or condensation
 - c) Any damages to the fireplace, combustion chamber, heat exchanger or other components due to water, or weather damage, which is the result of but not limited to, improper chimney/venting installation.
 - d) Any alteration, willful abuse, accident, or misuse of the product has occurred.

IF WARRANTY SERVICE IS NEEDED...

- 1) Contact your supplier. Make sure you have your warranty, your sales receipt, and the model/serial number of your CFM Corporation product.
- 2) DO NOT ATTEMPT TO DO ANY SERVICE WORK YOURSELF.

NATIONAL
FIREPLACE
INSTITUTE®



CERTIFIED

www.nficertified.org

We recommend that our gas hearth products be installed and serviced by professionals who are certified in the U.S. by the National Fireplace Institute® (NFI) as NFI Gas Specialists.

CFM Corporation

410 Admiral Blvd. • Mississauga, Ontario, Canada L5T 2N6
800-668-5323 • www.cfmcorp.com