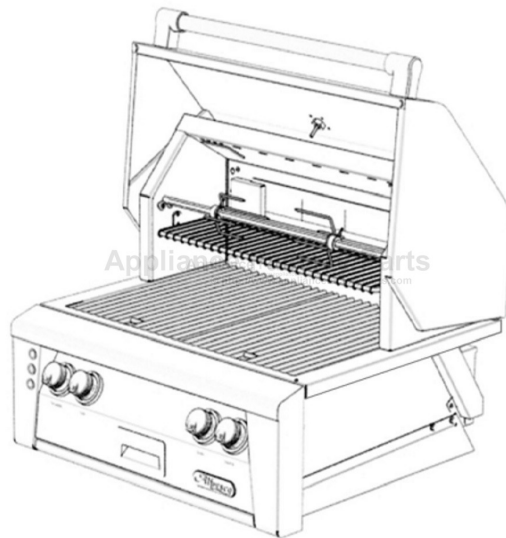


This Owner's Manual is provided and hosted by [Appliance Factory Parts](#).



Alfresco ALXE30 Owner's Manual

[Shop genuine replacement parts for Alfresco ALXE30](#)

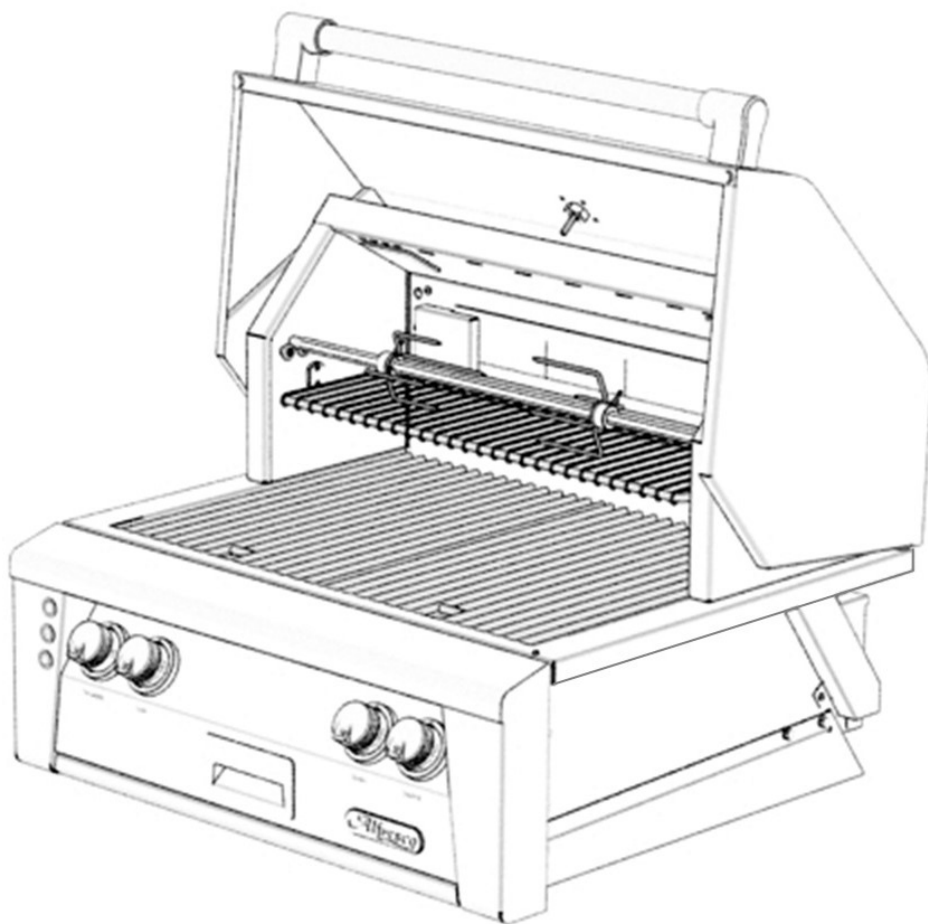


[Find Your Alfresco Grill Parts - Select From 126 Models](#)

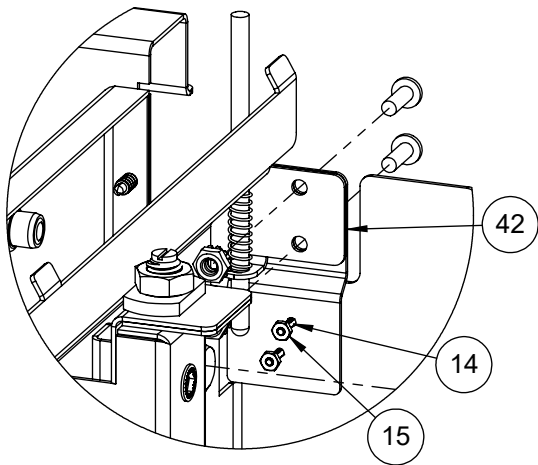
----- Manual continues below -----

Alfresco™

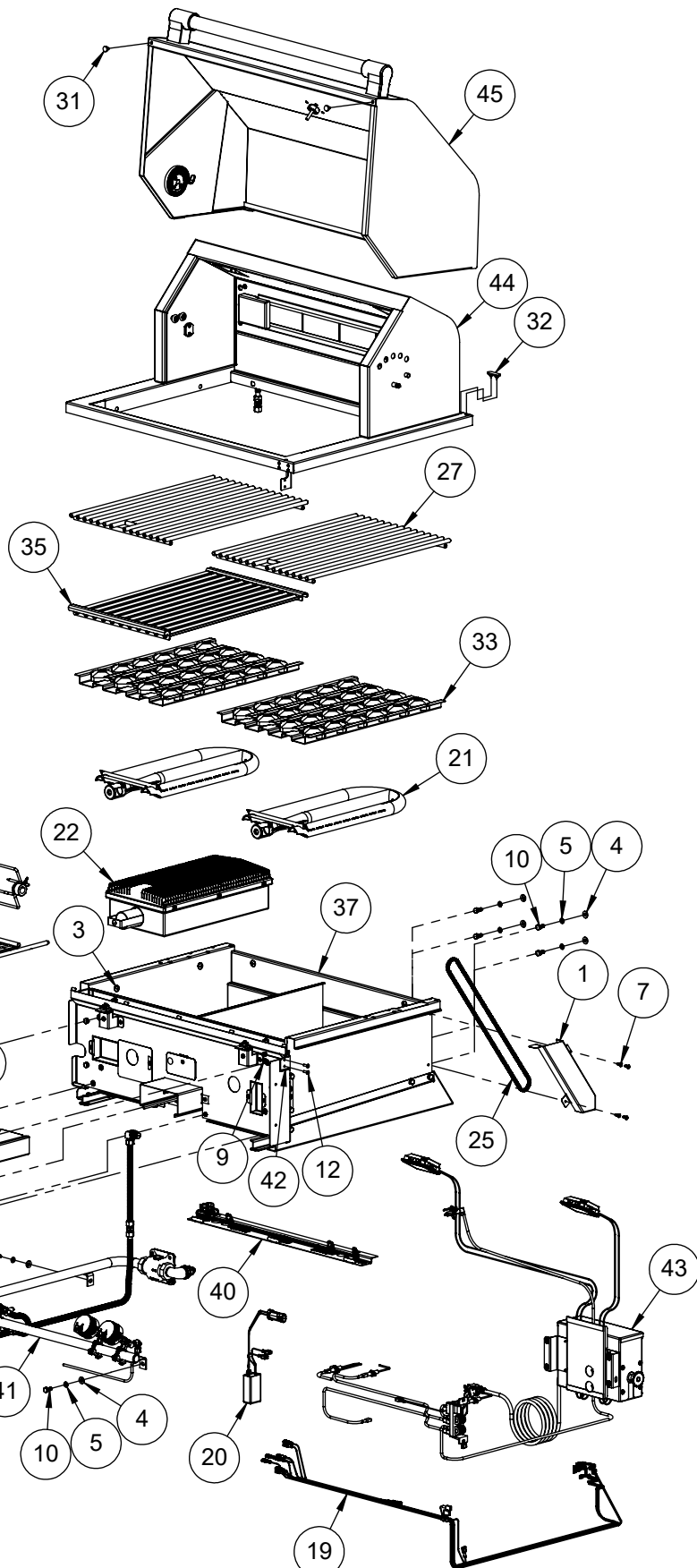
Open Air Culinary Systems



ALXE-30 & 30SZ Parts Manual
Serial Numbers 18-00000 forward



DETAIL OF HOOD SWITCH MECHANISM
 FASTENERS (14) & (15) ARE FOR
 ATTACHING THE SWITCH 210-0626
 SEE ELECTRICAL COMPONENTS



NOTE:
 SEARZONE™ BURNER (22) AND GRILL (35) USED ON ALXE-30SZ
 OTHERWISE, ONLY BURNER (21), GRILL (27) AND BRIQUETTE (33) USED ON ALXE-30

ITEM	PART NUMBER	DESCRIPTION	QTY
1	100-1877	ROTISSERIE CHAIN COVER	1
2	130-3068	FRONT PANEL	1
3	200-0057	SCREW 1/4-20 X 1/2 - TRUSS HEAD - PHILLIPS	8
4	200-0074	FLAT WASHER 1/4 TYPE A NARROW	7
5	200-0087	WASHER - 1/4" SPRING LOCK- REGULAR - SS	15
6	200-0089	BOLT - HEX HEAD 1/4-20 x 1/2" L	8
7	200-0111	SCREW 8-18 X 1/2 - SELF TAP - 410 SS	6
8	200-0125	NUT THREAD CUTTER FOR 1/4" Ø STUD -SPEED NUT	2
9	200-0206	8-32 KEP NUT 18-8 STAINLESS	2
10	200-0219	HEX HD MACHINE SCREW 1/4-20 UNC X 5/8 LONG SS	7
11	200-0267	10-32 X 1/2 - PAN HEAD - PHILLIPS SCREW	6
12	200-0270	8-32 PAN HD X 1/2 PHILLIPS 18-8 SS	2
13	200-0348	Screw 6-32 x 3/8 Flat Head (82°) phillips - Thread Cutter - #2 Drive - SS 410	8
14	200-0362	18-8 SS PAN HEAD SCREW 2-56 X 3/8	2
15	200-0363	18-8 SS NUT 2-56	2
16	210-0583	SWITCH - IGNITION - MOMENTARY [ON]/OFF	1
17	210-0584	SWITCH - LIGHT - LATCHING [ON/OFF]	1
18	210-0585	SWITCH - ROTISSERIE - LATCHING [ON/OFF]	1
19	210-0598	WIRING HARNESS	1
20	210-0623	TRANSFORMER ASSY FOR ALXE	1
21	290-0038	BURNER - GRILL - "U" SHAPE	2
22	290-0052	ALFRESCO SEAR ZONE™ BURNER ASSEMBLY	1
23	290-0059	ROTISSERIE DRIP PAN	1
24	290-0096	FORK ASSEMBLY	2
25	290-0116	CHAIN - ANSI # 25 - 1/4" PITCH - .13" Ø X 1/8" ROLLER	1
26	290-0123	SPEAR - ROTISSERIE - 30" - 2006 BBQ	1
27	290-0124	GRILL 30" BBQ - 12 3/4" WIDE - SS	2
28	290-0315	WARMING RACK - SS	1
29	290-0377	ALFRESCO RANGE LOGO	1
30	290-0388	ALFRESCO RANGE KNOB - BEZEL RING	4
31	290-0465	Bumper 600°F 1/2" dia x 5/32" head	2
32	290-0468	Bumper 600°F (obround), black	2
33	510-0522	BRIQUETTE TRAY ASSEMBLY	2
34	510-0912	SMOKER BOX	1
35	510-0913	SEARZONE™ GRILL ASSEMBLY	1
36	510-0918	SMOKER BURNER ASSEMBLY	1
37	510-0942	FIREBOX MAIN ASSEMBLY	1
38	510-0963	FRONT PANEL PERIMETER	1
39	510-0967	DRIP TRAY ASSEMBLY	1
40	510-0998	LED LIGHT FIXTURE	1
41	510-1005	GAS MANIFOLD ASSEMBLY	1
42	510-1026	HOOD SWITCH MECHANISM	1
43	510-1051	ELECTRICAL COMPONENTS	1
44	510-1207	REAR HOOD & RIM ASSEMBLY	1
45	510-1212	FRONT HOOD ASSEMBLY	1



THE INFORMATION CONTAINED IN THIS DRAWING IS THE SOLE PROPERTY OF SUPERIOR EQUIPMENT SOLUTIONS INC. ANY REPRODUCTION IN PART OR AS A WHOLE WITHOUT WRITTEN PERMISSION FROM SUPERIOR EQUIPMENT SOLUTIONS, INC. IS PROHIBITED.

DRAWN BY: N SILCOCK
CREATED: 2/23/2016 10:51:46 AM

PROJECT TITLE:

ALXE-30 AND 30SZ

DRAWING TITLE:

DRAWING NO.:

500-015

SHEET 2 OF 2

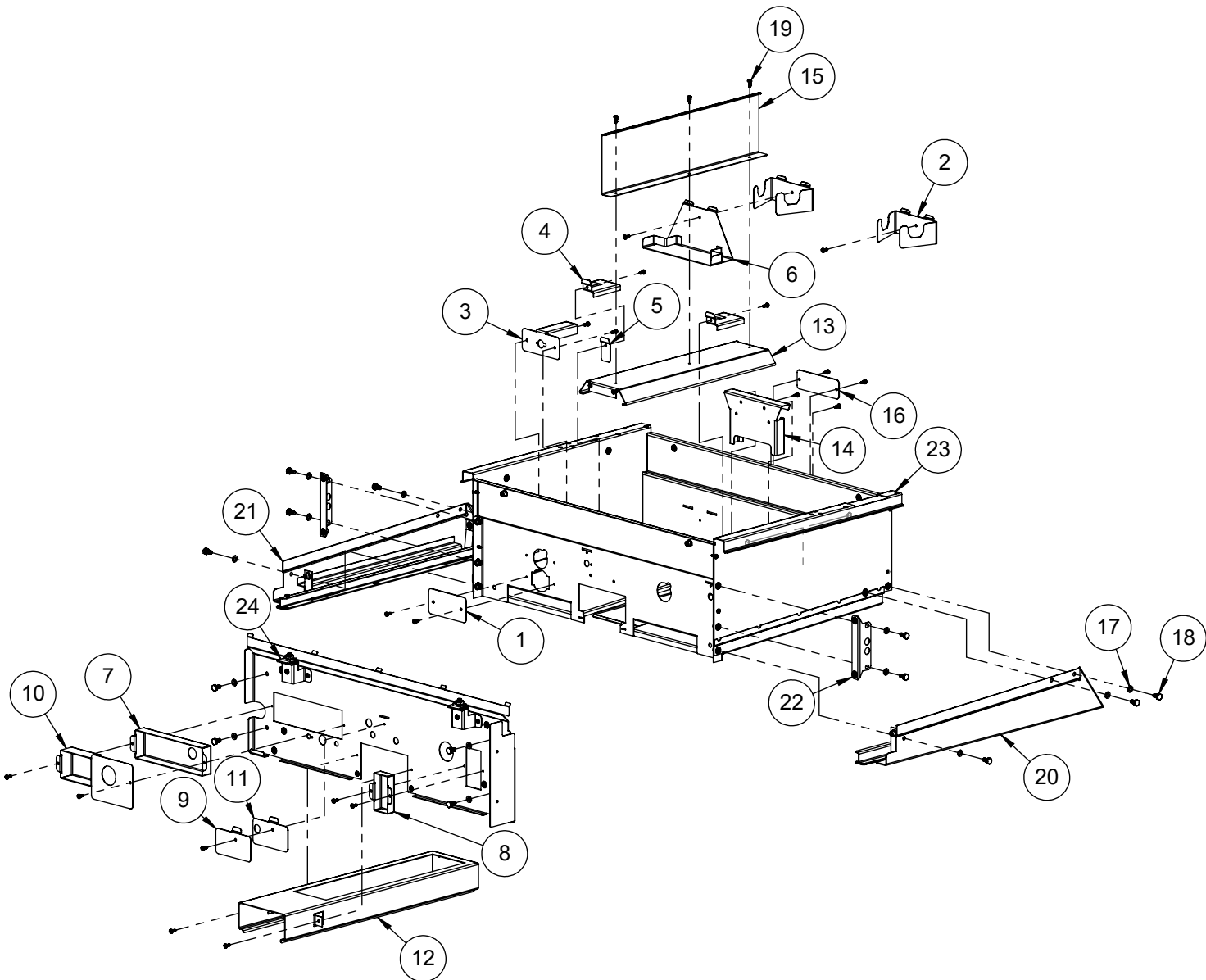
NOTE:
UNIQUE PARTS USED ON ALXE-30 MODEL

- (1) (4) (10) (11)

UNIQUE PARTS USED ON ALXE-30SZ MODEL

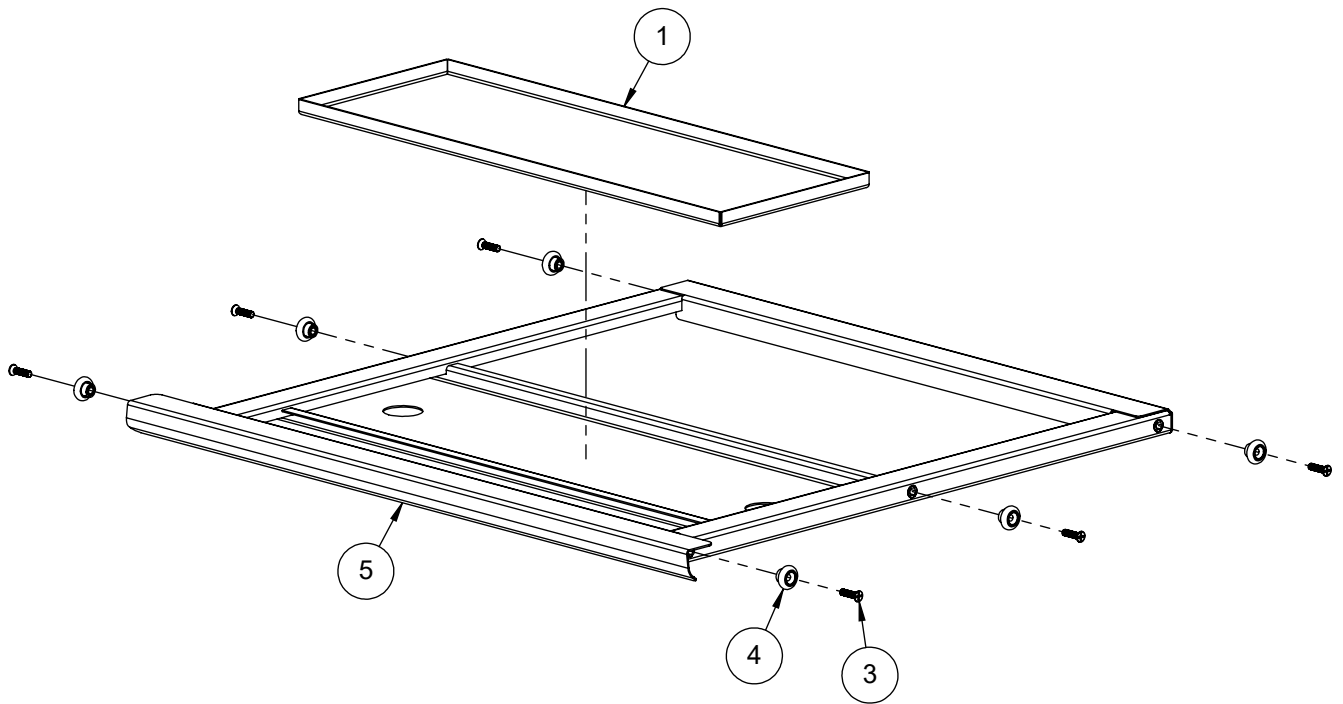
- (3) (5) (6) (7) (9) (15)

ITEM (2) IS USED FOR "U" BURNERS ONLY
THEREFORE, ALXE-30SZ ONLY HAS ONE.

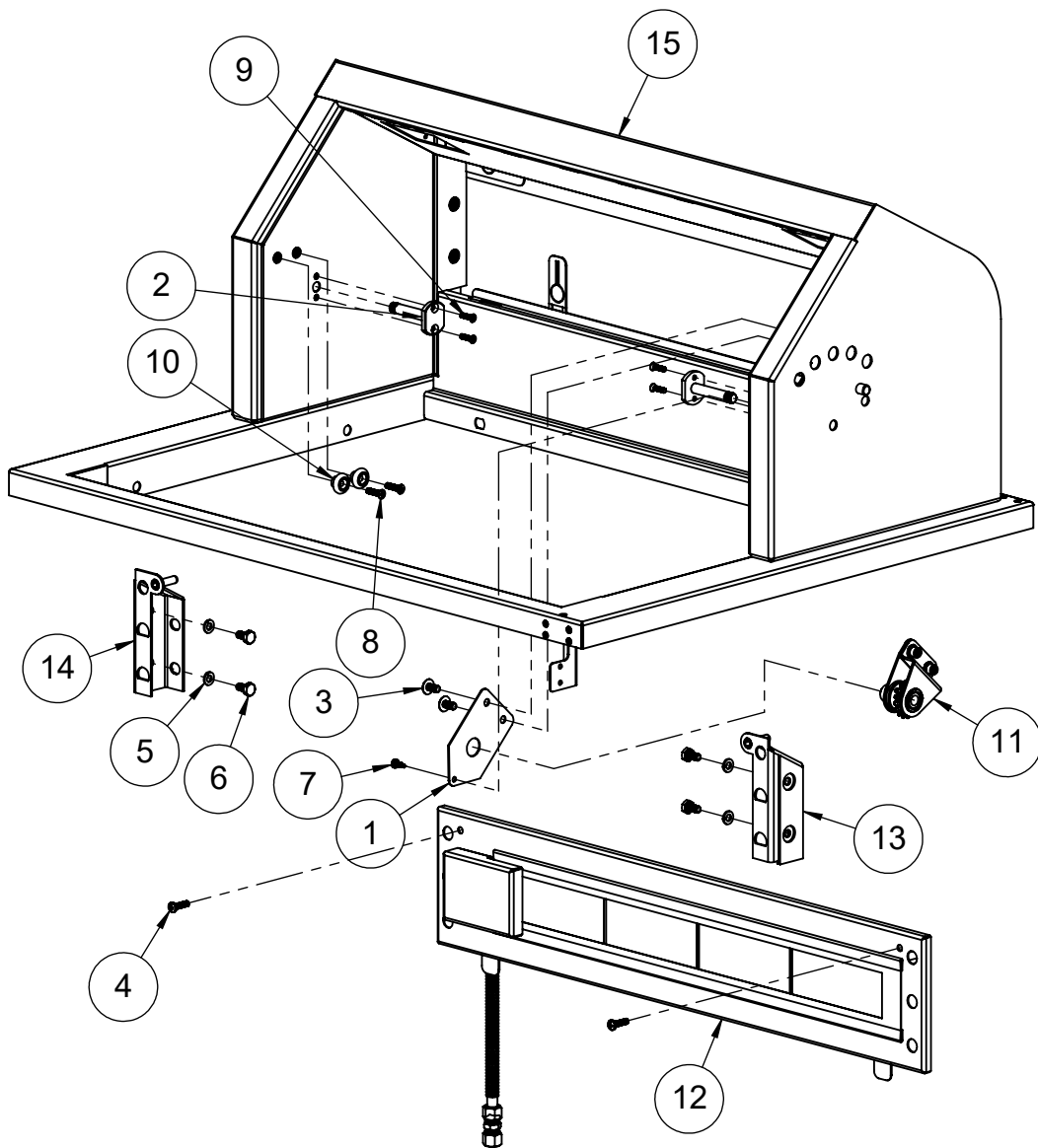


ITEM	PART NUMBER	DESCRIPTION	QTY
1	100-1065	SEARZONE™ OPENING FIREBOX COVER	1
2	100-1846	U-BURNER BRACKET	2
3	100-1847	SEAR-ZONE IGNITER BRACKET / SHIELD	1
4	100-1848	IGNITER SHIELD	2
5	100-1849	IGNITER HOLE COVER	1
6	100-1884	SEAR-ZONE™ BURNER BRACKET	1
7	100-1887	DUAL VALVE FIREWALL COVE	1
8	100-1888	SINGLE VALVE FIREWALL COVE	1
9	100-1890	FIREWALL OPENING COVER FOR SEARZONE™	1
10	100-1945	DUAL VALVE FIREWALL COVER FOR U-BURNER	1
11	100-1946	FIREWALL OPENING COVER FOR U-BURNER	1
12	130-3039	SMOKER BOX BODY	1
13	130-3040	SMOKER BOX TOP DIFFUSER	1
14	130-3041	FLUE	1
15	130-3042	SEAR ZONE BURNER SHIELD	1
16	130-3047	REAR COVER PLATE	1
17	200-0087	WASHER - 1/4" SPRING LOCK- REGULAR - SS	13
18	200-0089	BOLT - HEX HEAD 1/4-20 x 1/2" L	13
19	200-0111	SCREW 8-18 X ½ - SELF TAP - 410 SS	28
20	510-0502	GREASE TRAY SUPPORT - RIGHT SIDE	1
21	510-0503	GREASE TRAY SUPPORT - LEFT SIDE	1
22	510-0520	FIREWALL SUPPORT BRACKET ASSEMBLY	2
23	510-0943	FIREBOX WELDED PARTS	1
24	510-1006	FIREWALL ASSEMBLY	1

ITEM	PART NUMBER	DESCRIPTION	QTY
1	130-3093	DRIP TRAY INSERT	1
2	200-0109	RIVNUT, HEX THREADED INSERT # 10 - 32 THREAD CLOSED END	6
3	200-0148	SCREW 10-32 X 3/4" - FLAT HEAD - PHILLIPS - 82° - SS	6
4	290-0119	ROLLER WHEEL - STAINLESS STL - 3/4" Ø	6
5	510-0966	DRIP TRAY	1

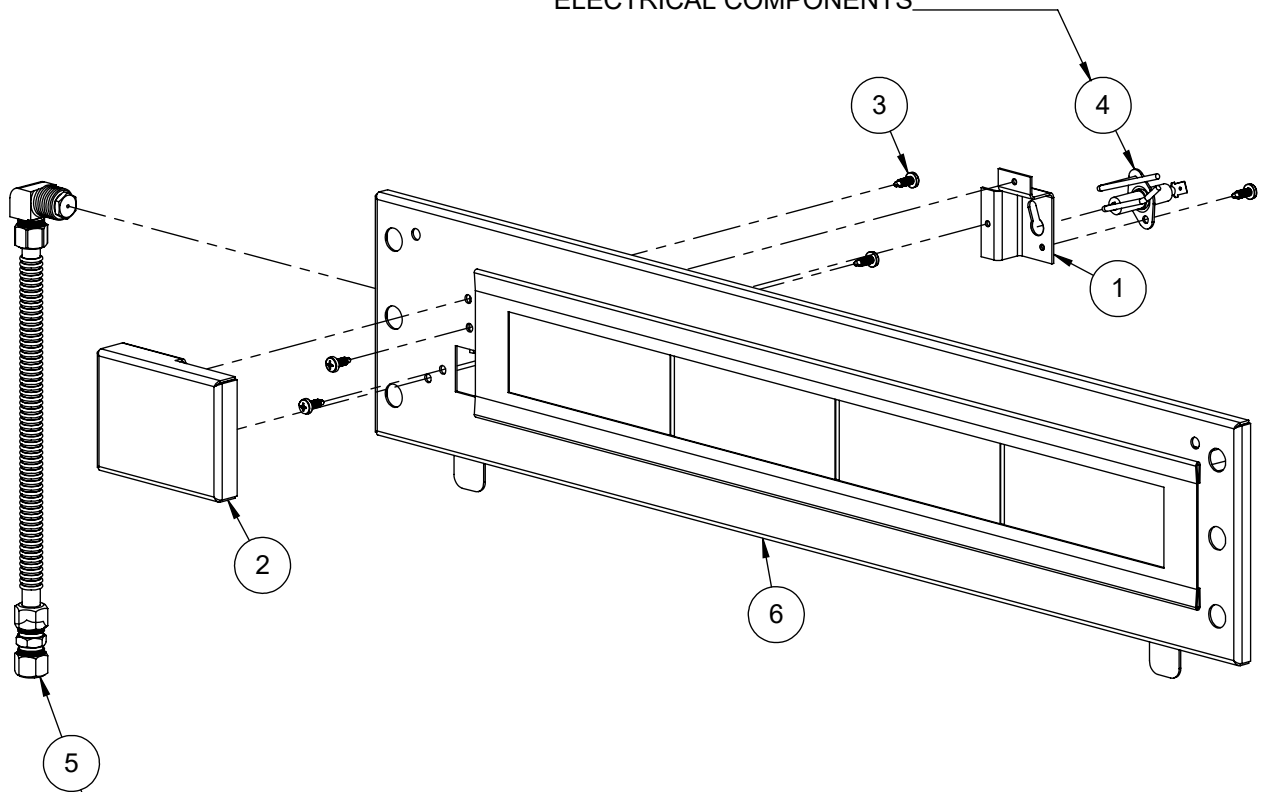


ITEM	PART NUMBER	DESCRIPTION	QTY
1	100-1092	ROTISSERIE GEAR COVER	1
2	130-2985	PIVOT PIN	2
3	200-0057	SCREW 1/4-20 X 1/2 - TRUSS HEAD - PHILLIPS	2
4	200-0062	SCREW 10-32 X 3/4 - PAN HEAD - PHILLIPS	2
5	200-0087	WASHER, 1/4" - SPRING LOCK - SS	4
6	200-0089	BOLT - HEX HEAD 1/4-20 x 1/2" L	4
7	200-0111	SCREW 8-18 X 1/2 - SELF TAP - 410 SS	1
8	200-0148	SCREW 10-32 X 3/4" - FLAT HEAD - PHILLIPS - 82° - SS	2
9	200-0361	SCREW 8-32 X 5/8" - FLAT HEAD 82° - PHILLIPS	4
10	290-0119	ROLLER WHEEL - STAINLESS STL - 3/4" Ø	2
11	510-0139	ROTISSERIE GEAR ASSEMBLY	1
12	510-0478	ROTISSERIE PANEL ASSY	1
13	510-0483	WARMING RACK BRACKET, RIGHT SIDE	1
14	510-0484	WARMING RACK BRACKET, LT SIDE	1
15	510-1208	REAR HOOD & RIM WELDED PARTS	1



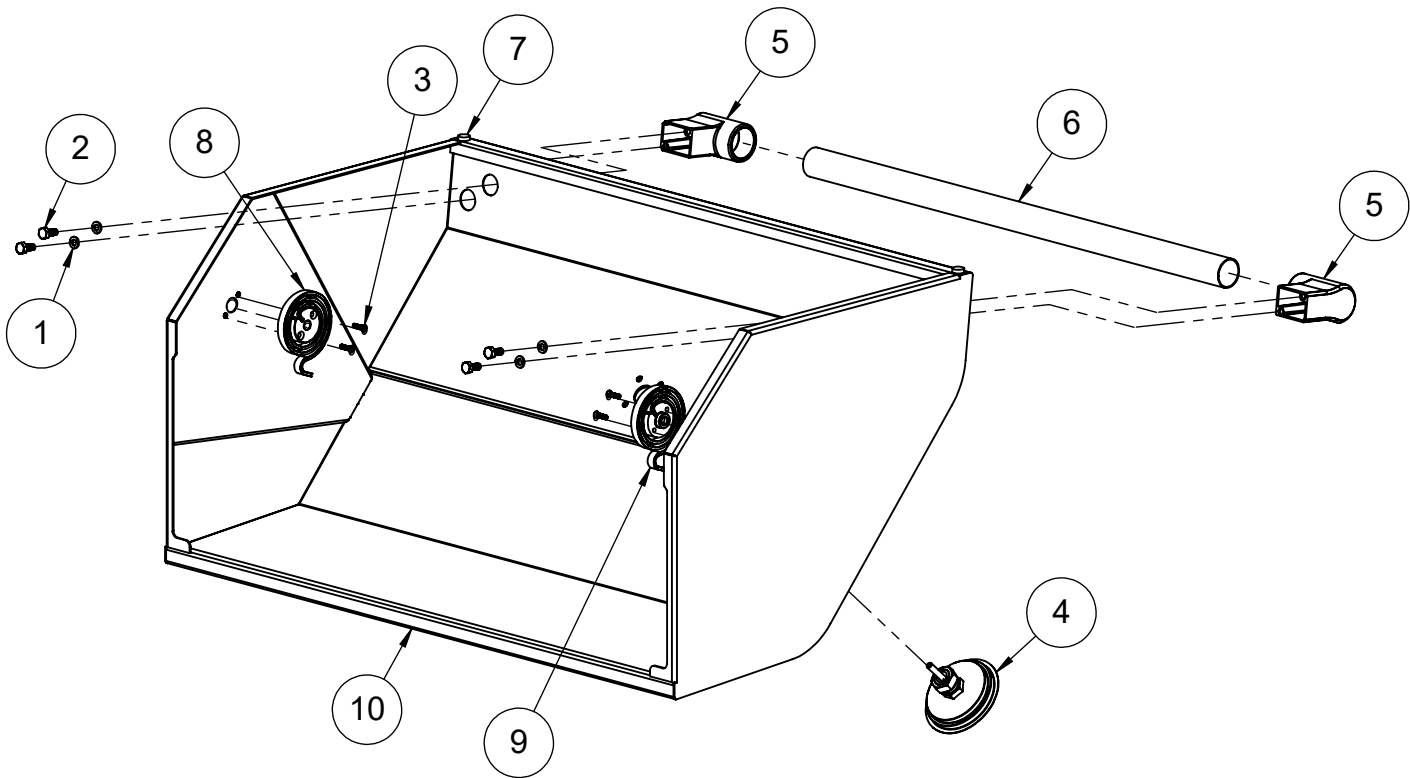
ITEM	PART NUMBER	DESCRIPTION	QTY
1	100-1986	ROTISSERIE BURNER IGNITER BRAKET	1
2	100-1987	ROTISSERIE BURNER IGNITER COVER	1
3	200-0111	SCREW 8-18 X ½ - SELF TAP - 410 SS	5
4	210-0240	ELECTRODE - DUAL TIP "L" SHAPE- ROTISSERIE	1
5	510-0469	ROTISSERIE PIPING SUBASSEMBLY	1
6	510-0482	ROTISSERIE PANEL - WELDED PARTS	1

ELECTRODE SHOWN FOR ASSEMBLY PURPOSES ONLY
REFER TO ASSEMBLY DRAWING 510-0494M FOR ALL
ELECTRICAL COMPONENTS

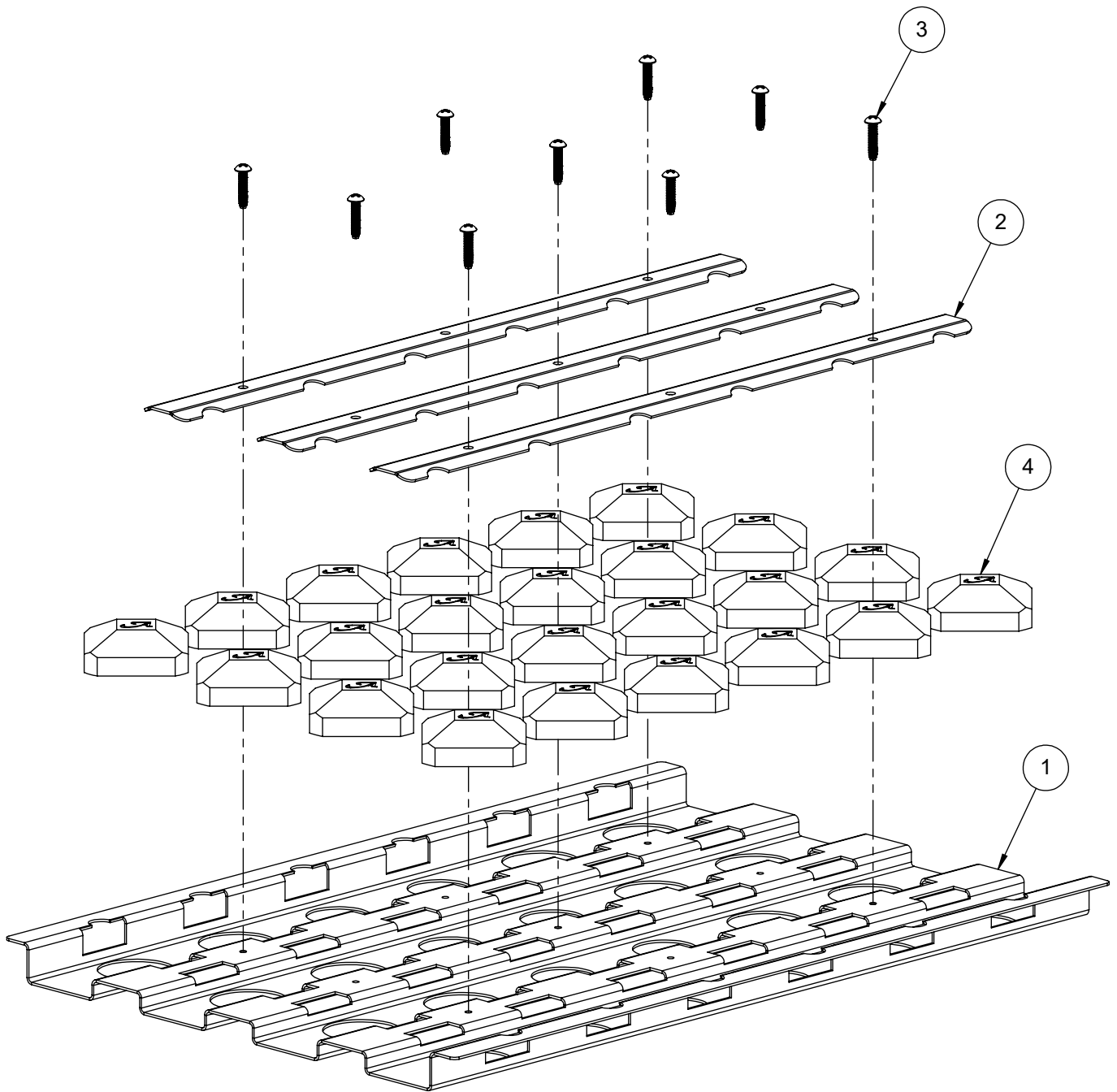


THESE PARTS ARE SHOWN FOR ASSEMBLY PURPOSES ONLY
REFER TO ASSEMBLY DRAWING 510-1005M FOR COMPLETE
PARTS BREAKDOWN AND ORIFICE INFORMATION

ITEM	PART NUMBER	DESCRIPTION	QTY
1	200-0087	WASHER, 1/4" - SPRING LOCK - SS	4
2	200-0219	SCREW 1/4-20 UNC X 5/8 LONG - HEX HD - SS	4
3	200-0361	SCREW 8-32 X 5/8" - FLAT HEAD 82° - PHILLIPS	4
4	210-0571	3-1/8 DIA THERMOMETER	1
5	290-0400	HANDLE END CAP	2
6	290-0442	BARBECUE HOOD HANDLE	1
7	290-0465	BUMPER 600°F 1/2" DIA x 5/32" HEAD	2
8	510-0924	SPIRAL TORSION SPRING LT	1
9	510-0925	SPIRAL TORSION SPRING RT	1
10	510-1213	FRONT HOOD (WELDED PARTS)	1



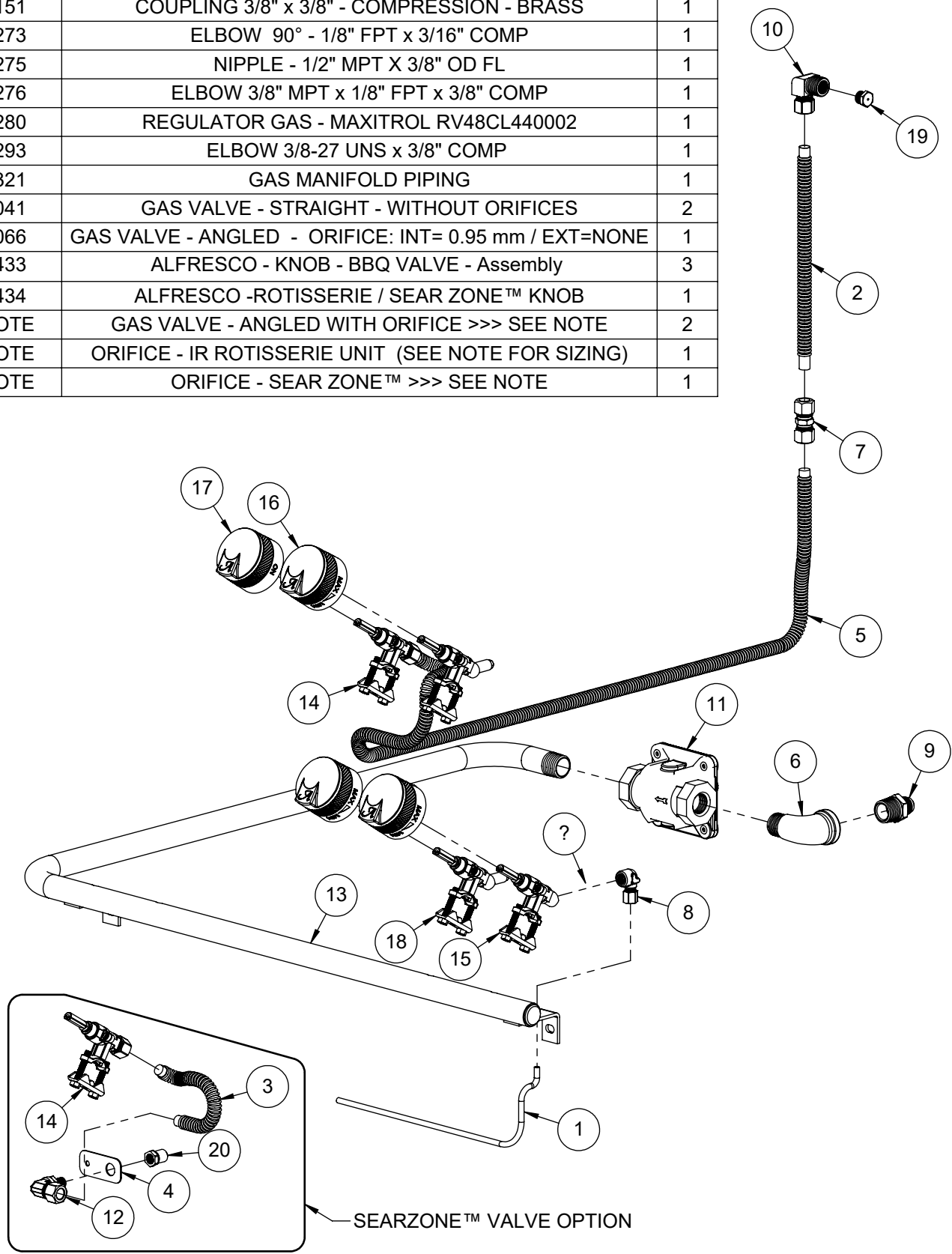
ITEM	PART NO.	DESCRIPTION	QTY
1	100-1894	BRIQUETTE TRAY BASE	1
2	100-1895	BRIQUETTE LOCK BAR	3
3	200-0312	SCREW 8-32 x 3/4"- PAN HEAD - PHILLIPS - THREAD CUTTER TYPE F	9
4	265-0005	BRIQUETTE - ALFRESCO CUSTOM	24



ITEM	PART NUMBER	DESCRIPTION	QTY
1	100-0913	30" & 56" BFG BBQ SMOKER GAS LINE	1
2	100-0917	ROTISSERIE GAS LINE EXTENSION - 3/8"Ø X 8" - SS	1
3	100-0917	SEAR ZONE™ GAS LINE (8"L x 3/8" Ø - SS. FLEX TUBE)	1
4	100-1067	SMOKER & SZ™ ORIFICE BRACKET	1
5	100-1949	ROTISSERIE GAS LINE (36"L x 3/8" Ø - SS. FLEX TUBE)	1
6	200-0274	ELBOW 90° - CAST IRON - 1/2" FPT x 1/2" MPT	1
7	220-0151	COUPLING 3/8" x 3/8" - COMPRESSION - BRASS	1
8	220-0273	ELBOW 90° - 1/8" FPT x 3/16" COMP	1
9	220-0275	NIPPLE - 1/2" MPT X 3/8" OD FL	1
10	220-0276	ELBOW 3/8" MPT x 1/8" FPT x 3/8" COMP	1
11	220-0280	REGULATOR GAS - MAXITROL RV48CL440002	1
12	220-0293	ELBOW 3/8-27 UNS x 3/8" COMP	1
13	220-0321	GAS MANIFOLD PIPING	1
14	290-0041	GAS VALVE - STRAIGHT - WITHOUT ORIFICES	2
15	290-0066	GAS VALVE - ANGLED - ORIFICE: INT= 0.95 mm / EXT=NONE	1
16	290-0433	ALFRESCO - KNOB - BBQ VALVE - Assembly	3
17	290-0434	ALFRESCO -ROTISSERIE / SEAR ZONE™ KNOB	1
18	SEE NOTE	GAS VALVE - ANGLED WITH ORIFICE >>> SEE NOTE	2
19	SEE NOTE	ORIFICE - IR ROTISSERIE UNIT (SEE NOTE FOR SIZING)	1
20	SEE NOTE	ORIFICE - SEAR ZONE™ >>> SEE NOTE	1

NOTE: ORIFICE OR VALVE ASSEMBLY TO CHANGE ACCORDING TO FUEL SUPPLY: NATURAL GAS OR LIQUID PROPANE

ITEM	NG GAS PART #	LP GAS PART #
19	290-0310	290-0310
20	220-0285	220-0285
21	220-0289	220-0289



Alfresco
 SUPERIOR EQUIPMENT SOLUTIONS
 7039 EAST SLAUSON AVENUE
 COMMERCE, CA. 90040

THE INFORMATION CONTAINED IN THIS DRAWING IS THE SOLE PROPERTY OF SUPERIOR EQUIPMENT SOLUTIONS INC. ANY REPRODUCTION IN PART OR AS A WHOLE WITHOUT WRITTEN PERMISSION FROM SUPERIOR EQUIPMENT SOLUTIONS, INC. IS PROHIBITED.
DRAWN BY: N SILCOCK
CREATED: 2/29/2016 9:20:09 AM

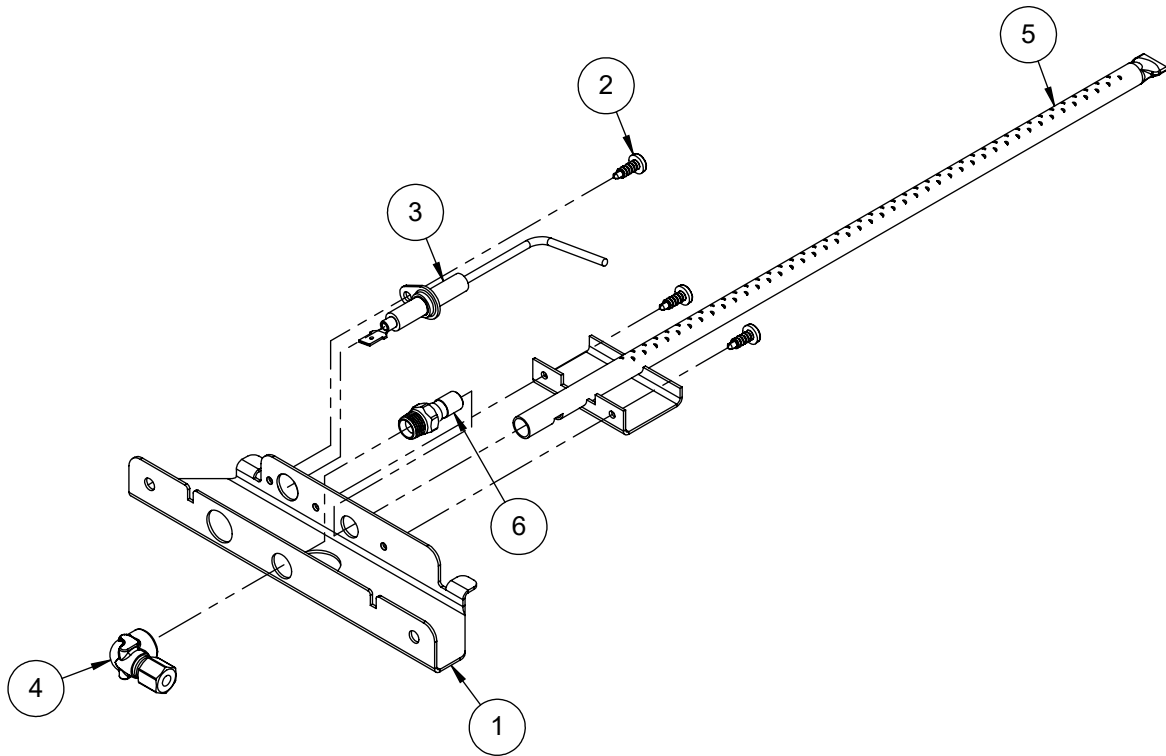
PROJECT TITLE:
ALXE-30 AND 30SZ
DRAWING TITLE:
GAS MANIFOLD ASSEMBLY

DRAWING NO.: 510-100
SHEET 1 OF 1

ITEM	PART NUMBER	DESCRIPTION	QTY
1	130-3019	MOUNTING BRACKET	1
2	200-0111	SCREW 8-18 X 1/2 - SELF TAP - 410 SS	3
3	210-0189	ELECTRODE - "L" SHAPED - MAIN BURNER	1
4	220-0273	ELBOW 90° - 1/8" FPT x 3/16" COMP	1
5	510-0504	SMOKER BURNER ASSEMBLY	1
6	SEE NOTE	ORIFICE - SMOKER UNIT >>> SEE NOTE	1

NOTE: ORIFICE OR VALVE ASSEMBLY TO CHANGE ACCORDING TO FUEL SUPPLY: NATURAL GAS OR LIQUID PROPANE

ITEM	NG GAS	LP GAS
	PART #	PART #
6	220-0468	220-03



Alfresco
 SUPERIOR EQUIPMENT SOLUTIONS
 7039 EAST SLAUSON AVENUE
 COMMERCE, CA. 90040

THE INFORMATION CONTAINED IN THIS DRAWING IS THE SOLE PROPERTY OF SUPERIOR EQUIPMENT SOLUTIONS INC. ANY REPRODUCTION IN PART OR AS A WHOLE WITHOUT WRITTEN PERMISSION FROM SUPERIOR EQUIPMENT SOLUTIONS, INC. IS PROHIBITED.

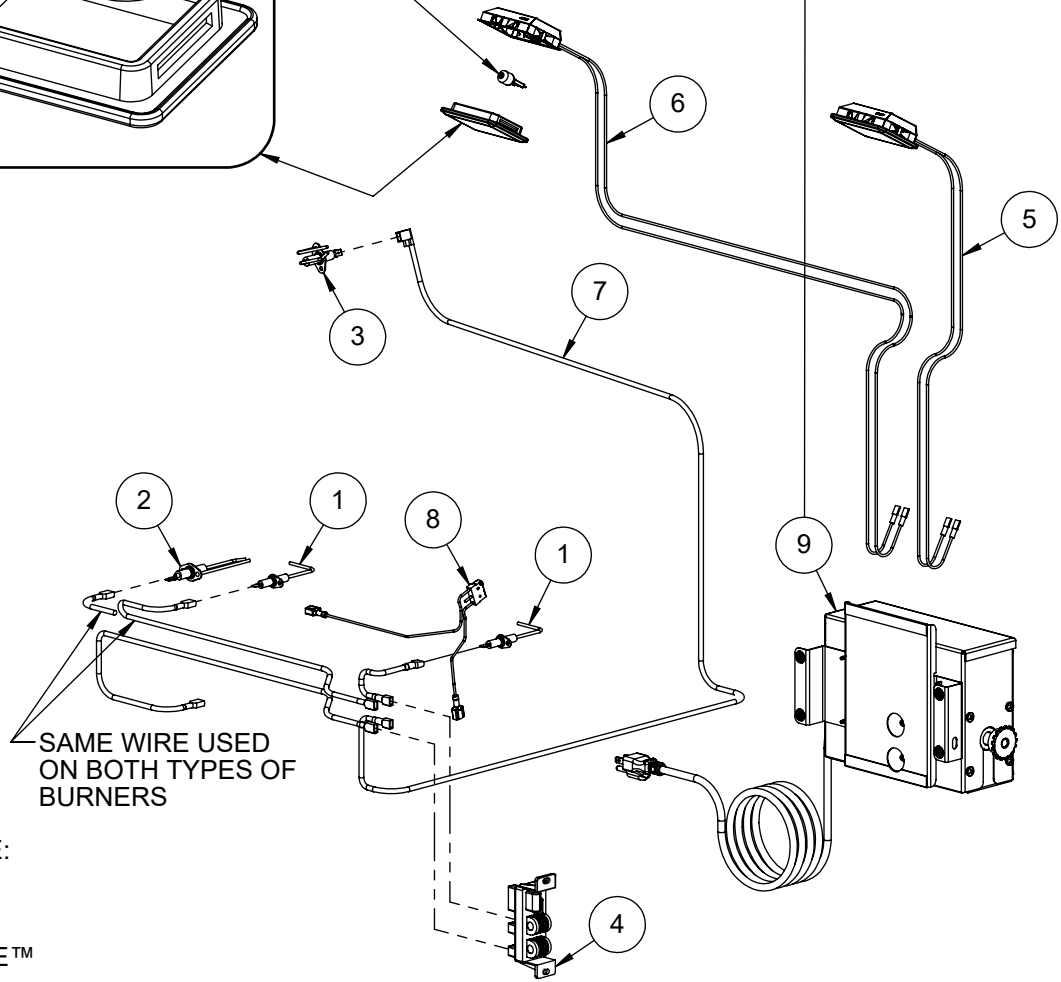
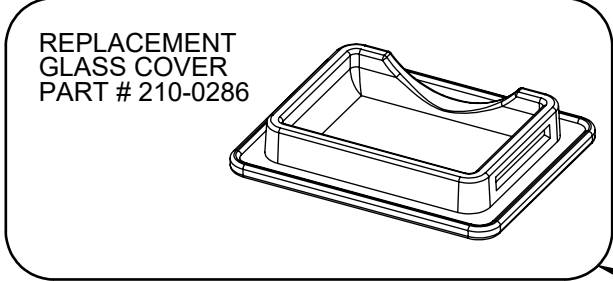
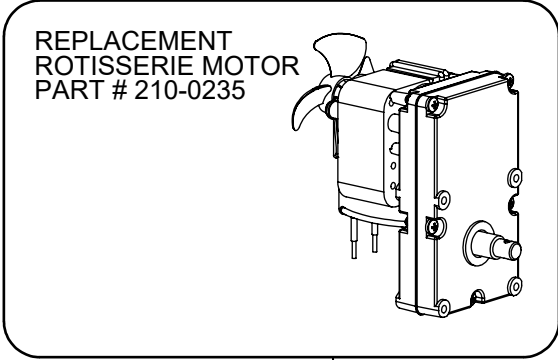
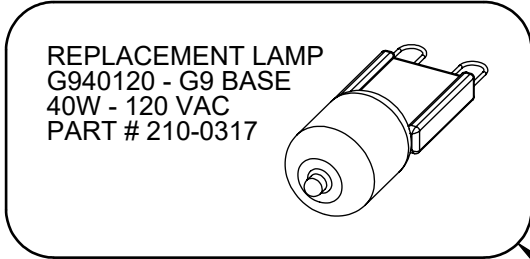
DRAWN BY: N SILCOCK
CREATED: 2/29/2016 12:42:41 PM

PROJECT TITLE:
ALXE BARBECUES

DRAWING TITLE:
SMOKER BURNER ASSEMBLY

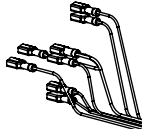
DRAWING NO.: 510-091
 SHEET 1 OF 1

ITEM	PART NUMBER	DESCRIPTION	QTY
1	210-0189	ELECTRODE - "L" SHAPED - U-BURNER / SMOKER	2
2	210-0192	ELECTRODE - DUAL TIP - SEARZONE™	1
3	210-0240	ELECTRODE - DUAL TIP "L" SHAPE- ROTISSERIE	1
4	210-0465	IGNITER MODULE (4 POINTS)	1
5	210-0509	LAMP ASSEMBLY (32" WIRE LENGTH)	1
6	210-0510	LAMP ASSEMBLY (56" WIRE LENGTH)	1
7	210-0520	IGNITER WIRE KIT	1
8	210-0626	PERIMETER LIGHT SWITCH	1
9	510-0514	ROTISSERIE MOTOR BOX ASSEMBLY	1

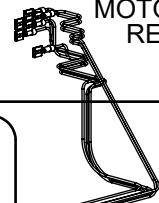


- LEFT BURNER ELECTRODE:
- 1 USED ON U-BURNER
 - 2 USED ON SEAR-ZONE™

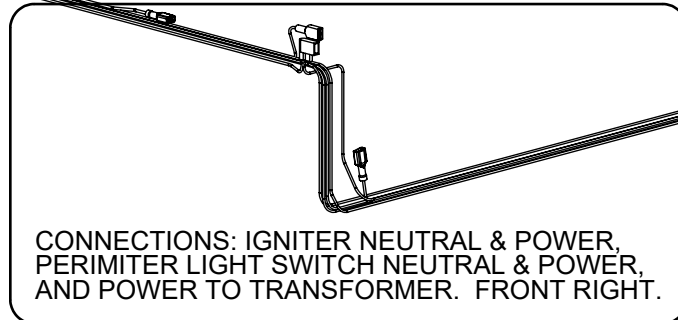
CONNECTIONS: NEUTRAL TO TRANSFORMER,
POWER TO TRANSFORMER AND IGNITER, LIGHTS
& ROTISSERIE. FRONT LEFT



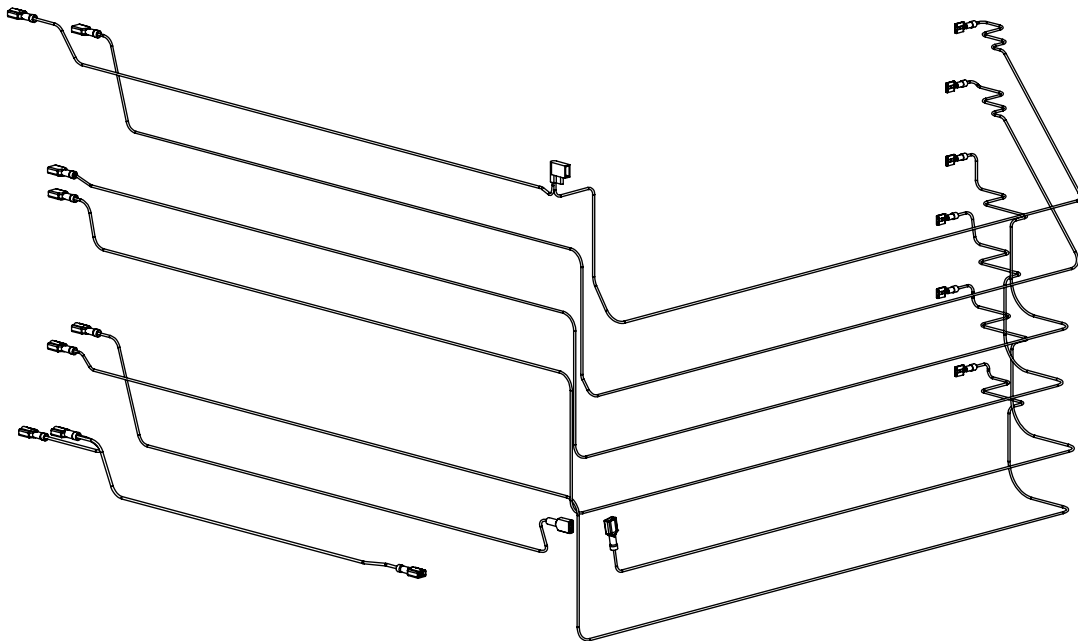
CONNECTIONS IN
MOTOR BOX AT
REAR RIGHT.



CONNECTIONS: IGNITER NEUTRAL & POWER,
PERIMETER LIGHT SWITCH NEUTRAL & POWER,
AND POWER TO TRANSFORMER. FRONT RIGHT.



WIRING HARNESS PART NUMBER 210-0598



EXPLODED VIEW OF WIRING HARNESS

NOTE: INDIVIDUAL WIRES ARE NOT SOLD SEPARATELY

Alfresco[™]

Open Air Culinary Systems

ALXE-30 PARTS MANUAL
ALFRESCO[™] GOURMET GRILLS
ALL RIGHTS RESERVED 03/2018