

This Owner's Manual is provided and hosted by [Appliance Factory Parts](#).



# Monessen Hearth BUF42-T Owner's Manual

[Shop genuine replacement parts for Monessen Hearth  
BUF42-T](#)



[Find Your Monessen Hearth Fireplace Parts - Select From 701 Models](#)

----- Manual continues below -----

# Owner's Manual

## Care and Operation

**INSTALLER:** Leave this manual with party responsible for use and operation.

**OWNER:** Retain this manual for future reference.

**NOTICE:** DO NOT discard this manual!

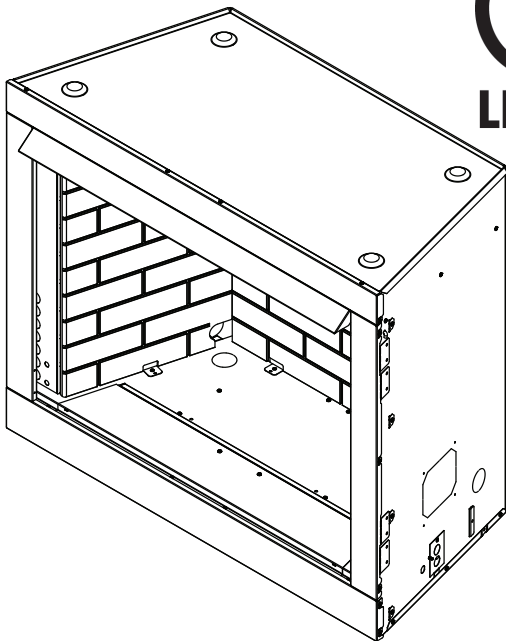


**Model(s):**

**BUF32A, BUF36A, BUF42A**

**BUF32-T, BUF36-T, BUF42-T**

**BUF32-H, BUF36-H, BUF42-H**



### VENT FREE FIREBOX

Carefully review the instructions supplied with the decorative type unvented room heater for the minimum firebox size requirement.

**DO NOT INSTALL AN APPLIANCE IN THIS FIREBOX UNLESS THIS FIREBOX MEETS THE MINIMUM DIMENSIONS REQUIRED FOR THE INSTALLATION.**

**⚠ WARNING:** If the information in these instructions is not followed exactly, a fire or explosion may result causing property damage, personal injury, or death.

- **DO NOT** store or use gasoline or other flammable vapors and liquids in the vicinity of this or any other appliance.
- **DO NOT** overfire. Overfiring will void your warranty.
- Comply with all minimum clearances to combustibles as specified. Failure to comply may cause house fire.

## **! DANGER**



### **HOT SURFACES!**

Firebox surfaces are hot during operation AND cool down.

### **Hot surfaces will cause burns.**

- **DO NOT** touch firebox until it is cooled
- **NEVER** allow children to touch firebox
- Keep children away
- **CAREFULLY SUPERVISE** children in same room as firebox.
- Alert children and adults to hazards of high temperatures.

### **High temperatures may ignite clothing or other flammable materials.**

- Keep clothing, furniture, draperies and other flammable materials away.

**FOR USE ONLY WITH A LISTED GAS-FIRED UNVENTED DECORATIVE ROOM HEATER NOT TO EXCEED 40,000BTU/H.  
DO NOT BUILD A WOOD FIRE.**

### Safety Alert Key:

- **DANGER!** Indicates a hazardous situation which, if not avoided will result in death or serious injury.
- **WARNING!** Indicates a hazardous situation which, if not avoided could result in death or serious injury.
- **CAUTION!** Indicates a hazardous situation which, if not avoided, could result in minor or moderate injury.
- **NOTICE:** Indicates practices which may cause damage to the firebox or to property.

## Table of Contents

<b>1 Welcome</b>	
A. Congratulations	3
B. LIMITED LIFETIME WARRANTY	4
<b>2 Product Specific Information</b>	
A. Firebox Certification	6
B. BTU Specifications	6
<b>3 Important Safety and Operating Information</b>	
A. Safety Information	7
B. Clear Space	8
C. Over Firing	8
D. Firebox Break-In	8
E. Good Faith Wall Surface/TV Guidelines	9
<b>4 Maintenance and Service</b>	
A. Maintenance: Frequency and Tasks	10
B. Maintenance Tasks - Homeowner	10
C. Maintenance Tasks - Qualified Service Technician	10
<b>5 Frequently Asked Questions and Troubleshooting</b>	
A. Frequently Asked Questions and Troubleshooting	11
<b>6 Reference Materials</b>	
A. Accessories	12
<b>7 Service Parts</b>	
A. Service Parts Lists	13
B. Contact Information	16

# 1 Welcome

Read this manual before installing or operating this vent-free firebox.  
Please retain this manual for future references.

## A. Congratulations

Congratulations on selecting a Monessen Hearth vent-free firebox. It is designed to provide the utmost in safety, reliability, and efficiency.

As the owner of a new vent-free firebox, you'll want to read and carefully follow all of the instructions contained in this manual. Pay special attention to all Cautions and Warnings.

This manual should be retained for future reference. We suggest that you keep it with your other important documents and product manuals.

Your new Monessen vent-free firebox will give you years of durable use and trouble-free enjoyment. Welcome to the Monessen family of firebox products!

Monessen is a registered trademark of Hearth & Home Technologies.

### Local Dealer Information

**DEALER:** Fill in your name, address, phone and email information here and firebox information below.

Dealer Name: \_\_\_\_\_  
 Address: \_\_\_\_\_  
 \_\_\_\_\_  
 Phone: \_\_\_\_\_  
 Email: \_\_\_\_\_

#### Firebox Information:

Brand: \_\_\_\_\_ Model Name: \_\_\_\_\_  
 Serial Number: \_\_\_\_\_ Date Installed: \_\_\_\_\_

Hearth & Home Technologies  
7571 - 215th Street West  
Lakeville, MN 55044

SERIAL NO:



File No.: MH62953

CSA/ANSI Z21.91:20 VENTLESS FIREBOX ENCLOSURES FOR GAS-FIRED UNVENTED GAS LOG TYPE ROOM HEATERS

FOR USE WITH LISTED CSA/ANSI Z21.11.2:19 GAS-FIRED UNVENTED ROOM HEATERS NOT TO EXCEED 40,000 BTU/HR (11,723 W)

THIS INSTALLATION MUST CONFORM WITH LOCAL CODES OR, IN THE ABSENCE OF LOCAL CODES, WITH THE NATIONAL FUEL GAS CODE, ANSI Z223.1/NFPA 54, OR THE NATURAL GAS AND PROPANE INSTALLATION CODES.

MFG. DATE:

ELECTRICAL: LESS THAN 3 AMPS, 115V., 60 Hz

DO NOT REMOVE OR COVER THIS LABEL

NOT FOR USE WITH SOLID FUEL

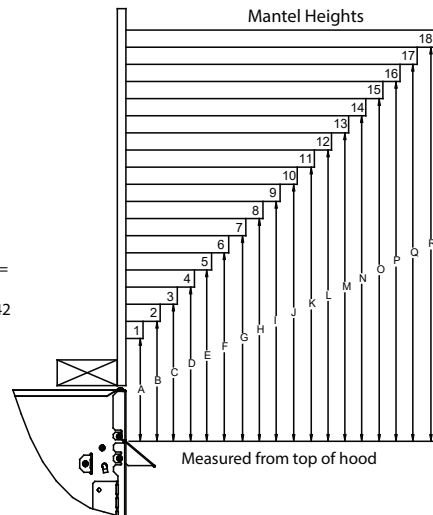
NOT FOR USE WITH GLASS DOORS

NOT INTENDED FOR USE AS A PRIMARY HEAT SOURCE

Model No:

Serial No:

CLEARANCE TO COMBUSTIBLES:  
 FIREBOX BACK = 0 in.  
 FIREBOX SIDES = 0 in.  
 FIREBOX TOP = 0 in.  
 FIREBOX BOTTOM = 0 in.  
 SIDE WALL, FROM FIREBOX OPENING = 9 in.  
 CEILING, FROM FIREBOX OPENING = 42 in.



	A	B	C	D	E	F	G	H	I	J	K	L	M	N	O	P	Q	R
Combustible in.	6	7	8	9	10	11	12	13	14	15	16	17	18	19	20	21	22	23
Noncombustible in.	3	4	5	6	7	8	9	10	11	12	13	14	15	16	17	18	19	20

4137-990A

## B. LIMITED LIFETIME WARRANTY

### Hearth & Home Technologies LLC LIMITED LIFETIME WARRANTY

Hearth & Home Technologies LLC (“HHT”) extends the following warranty for HHT gas, wood, pellet and electric hearth appliances (each a “Product” and collectively, the “Product(s)”) and certain component parts set forth in the table below (“Component Part(s)”) that are purchased from a HHT authorized dealer or distributor.

#### **WARRANTY COVERAGE:**

HHT warrants that the Products and their Component Parts will be free from defects in materials and workmanship for the applicable period of Warranty coverage set forth in the table below (“Warranty Period”). If a Product or Component Parts are found to be defective in materials or workmanship during the applicable Warranty Period, HHT will, at its option, repair the applicable Component Part(s), replace the applicable Component Part(s), or refund the purchase price of the applicable Product(s). The maximum amount recoverable under this Warranty is limited to the purchase price of the Product. This Warranty is transferable from the original purchaser to subsequent owners, but the Warranty Period will not be extended in duration or expanded in coverage for any such transfer. This Warranty is subject to conditions, exclusions, and limitations as described below.

#### **WARRANTY PERIOD:**

Warranty coverage begins at the date of installation. In the case of new home constructions, Warranty coverage begins on the date of first occupancy of the dwelling or six months after the sale of the Product(s) by an independent, authorized HHT dealer or distributor, whichever occurs earlier. However, the Warranty coverage shall commence no later than 24 months following the date of Product shipment from HHT, regardless of the installation or occupancy date.

The term “Lifetime” in the table below is defined as: 20 years from the beginning date of warranty coverage for gas appliances, and 10 years from the beginning date of warranty coverage for wood and pellet appliances. These time periods reflect the minimum expected useful lives of the designated Component Parts under normal operating conditions.

Warranty Period		HHT Manufactured Appliances and Venting					
Component Parts	Labor	Gas	Pellet	Wood	Electric	Venting	Component Parts Covered by this Warranty
1 Year		X	X	X		X	All parts including handles, external enameled components and other material except as covered by Warranty Conditions, Warranty Exclusions, and Warranty Limitations listed
2 Years					X		All parts except as covered by Warranty Conditions, Warranty Exclusions, and Warranty Limitations listed
2 years			X	X			Igniters, Auger Motors, Electronic Components, and Glass
		X					Electrical components limited to modules, remotes/wall switches, valves, pilots, blowers, junction boxes, wire harnesses, transformers and lights (excluding light bulbs)
		X		X			Molded Refractory Panels, Glass Liners
3 years			X				Firepots, burnpots, mechanical feeders/auger assemblies
5 years	1 year	X					Vent Free Burners, Vent Free Logs
			X	X			Castings, Medallions and Baffles
6 years	3 years			X			Catalysts
7 years	3 years		X	X			Manifold tubes, HHT Chimney and Terminations
10 years	1 year	X					Burners, logs and refractory
Limited Lifetime	3 years	X	X	X			Firebox and heat exchanger, FlexBurn® System (engine, inner cover, access cover and fireback)
1 Year	None	X	X	X	X	X	All purchased replacement parts

## LIMITED LIFETIME WARRANTY (continued)

### WARRANTY CONDITIONS:

- Because HHT cannot control the quality of any Products sold by unauthorized sellers, this Warranty only covers Products that are purchased through an HHT authorized dealer or distributor unless otherwise prohibited by law; a list of HHT authorized dealers is available on the HHT branded websites.
- This Warranty is only valid while the applicable Product remains at the site of original installation.
- This Warranty is only valid in the country in which the HHT authorized dealer or distributor that sold the applicable Product is authorized to sell applicable Product.
- Contact your installing distributor or dealer for Warranty service. If the installing dealer or distributor is unable to provide necessary parts, contact the nearest HHT authorized dealer or supplier. Additional service fees may apply if you are seeking Warranty service from a dealer other than the dealer from whom you originally purchased the applicable Product.
- No HHT consumer should bear cost of warranty service or costs incurred while servicing warranty claims (i.e., travel, gas, or mileage) when the service is performed within the terms of this Warranty. Check with your dealer or distributor in advance for any costs to you when arranging a warranty call. Travel and shipping charges for parts are not covered by this Warranty.

### WARRANTY EXCLUSIONS:

This Warranty does not cover the following:

- Changes in surface finishes as a result of normal use. As a heating appliance, some changes in color of interior and exterior surface finishes may occur. This is not a flaw and is not covered under the Warranty.
- Damage to printed, plated, or enameled surfaces caused by fingerprints, accidents, misuse, scratches, melted items or other external sources and residues left on the plated surfaces from the use of abrasive cleaners or polishes.
- Repair or replacement of parts that are subject to normal wear and tear during the Warranty Period are not covered. These parts include: paint, wood and pellet gaskets, firebricks, grates, flame guides, batteries and the discoloration of glass.
- Minor expansion, contraction, or movement of certain parts causing noise. These conditions are normal and complaints related to this noise are not covered by this Warranty.
- Damages resulting from: (1) failure to install, operate, or maintain the applicable Product in accordance with the installation instructions, operating instructions, and listing agent identification label furnished with the applicable Product; (2) failure to install the applicable Product in accordance with local building codes; (3) shipping or improper handling; (4) improper operation, abuse, misuse, continued operation with damaged, corroded or failed components, accident, or improperly/incorrectly performed repairs; (5) environmental conditions, inadequate ventilation, negative pressure, or drafting caused by tightly sealed constructions, insufficient make-up air supply, or handling devices such as exhaust fans or forced air furnaces or other such causes; (6) use of fuels other than those specified in the operation instructions; (7) installation or use of components not supplied with the applicable Product or any other components not expressly authorized and approved by HHT; (8) modification of the appliance not expressly authorized and approved by HHT in writing; and/or (9) interruptions or fluctuations of electrical power supply to the applicable Product.
- Non-HHT venting components, hearth connections or other accessories used in conjunction with the applicable Product.
- Any part of a pre-existing fireplace system in which an insert or a decorative gas applicable Product is installed.
- HHT's obligation under this Warranty does not extend to the Product's capability to heat the desired space. Information is provided to assist the consumer and the dealer in selecting the proper Product for the application. Consideration must be given to the Product location and configuration, environmental conditions, insulation and air tightness of the structure.

### **This warranty is void if:**

- The applicable Product has been over-fired, operated in atmospheres contaminated by chlorine, fluorine, or other damaging chemicals. Over-firing can be identified by, but not limited to, warped plates or tubes, deformation/warping of interior cast iron structure or components, rust colored cast iron, bubbling, cracking and discoloration of steel or enamel finishes.
- The applicable Product is subjected to prolonged periods of dampness or condensation.
- There is any damage to the applicable Product due to water or weather damage which is the result of, but not limited to, improper chimney or venting installation.

### LIMITATIONS OF REMEDIES AND LIABILITY:

- **EXCEPT TO THE EXTENT PROVIDED BY LAW, HHT MAKES NO EXPRESS WARRANTIES OTHER THAN THE WARRANTY SPECIFIED HEREIN. The owner's exclusive remedy and HHT's sole obligation under this Warranty or in contract, tort or otherwise, shall be limited to replacement of the Component Part(s), repair of the Component Part(s), or refund of the original purchase price of the applicable Product(s), as specified above; provided, however, that (i) if HHT is unable to provide replacement of the Component Part(s) and repair of the Component Part(s) is not commercially practicable or cannot be timely made, or (ii) the customer is willing to accept a refund of the purchase price of the applicable Product(s), HHT may discharge all such obligations by refunding the purchase price of the applicable Product. In no event will HHT be liable for any incidental or consequential damages caused by defects in the applicable Product. Some States do not allow the exclusion or limitation of incidental or consequential damages, so the above limitation or exclusion may not apply to you. This Warranty gives you specific legal rights and you may also have other rights which vary from State to State. THE DURATION OF ANY IMPLIED WARRANTY IS LIMITED TO DURATION OF THE EXPRESSED WARRANTY SPECIFIED ABOVE FOR THE APPLICABLE PRODUCT. Some States do not allow limitations on how long an implied warranty lasts, so the above limitation may not apply to you.**

## 2 Product Specific Information

### A. Firebox Certification

**MODELS:** BUF32A, BUF36A, BUF42A

BUF32-T, BUF36-T, BUF42-T

BUF32-H, BUF36-H, BUF42-H

**LABORATORY:** Underwriters Laboratories, Inc. (UL)

**TYPE:** Ventless Firebox Enclosures for Gas-Fired Unvented Gas Log Type Room Heaters

**STANDARD:** CSA/ANSI Z21.91:20

This product is listed to ANSI standards for "Ventless Gas Firebox Enclosures for Gas-Fired Unvented Gas Log Type Room Heaters".



**NOTICE:** This installation must conform with local codes. In the absence of local codes you must comply with the National Fuel Gas Code, ANSI Z223.1/NFPA 54.

**Note: Smoke, carbon monoxide or combination alarms** Alarm manufacturers recommend that alarms be kept at least 15 ft. to 20 ft. laterally away from fuel-burning sources. Installing the alarm closer than 15 ft. will not harm the alarm, but may increase the frequency of nuisance alarms. Mounting alarms on the wall versus the ceiling will further reduce nuisance alarms.

**NOT INTENDED FOR USE AS A PRIMARY HEAT SOURCE.**

This appliance is tested and approved as either supplemental room heat or as a decorative appliance. It should not be factored as primary heat in residential heating calculations.

Installation and service of this appliance should be performed by qualified personnel. Hearth & Home Technologies recommends HHT Factory Trained or NFI certified professionals.

**⚠ WARNING:** This product and the fuels used to operate this product (liquid propane or natural gas), and the products of combustion of such fuels, can expose you to chemicals including benzene, which is known to the State of California to cause cancer and reproductive harm. For more information go to: [www.P65Warnings.ca.gov](http://www.P65Warnings.ca.gov).

### B. BTU Specifications

This product is for use ONLY with a listed decorative "Gas-Fired Unvented Decorative Room Heaters".

Model(s)	Altitude	Maximum Allowable BTU/hr
BUF32 A/T/H	(0-2000 FT)	30,000
BUF36 A/T/H	(0-2000 FT)	40,000
BUF42 A/T/H	(0-2000 FT)	40,000

# 3 Important Safety and Operating Information

## A. Safety Information

**WARNING! DO NOT operate firebox before reading and understanding operating instructions. Failure to operate firebox according to operating instructions could cause fire or injury.**

**! DANGER**



- Keep children away.
- CAREFULLY SUPERVISE children in same room as firebox.
- Alert children and adults to hazards of high temperatures.

**High temperatures may ignite clothing or other flammable materials.**

- Clothing, furniture, draperies, and other flammable materials must not be placed on or near the firebox.

Young children should be carefully supervised when they are in the same room as the firebox. Toddlers, young children and others may be susceptible to accidental contact burns.

- A physical barrier is recommended if there are at risk individuals in the house.
- To restrict access to a firebox, install an adjustable safety gate to keep toddlers, young children and other at risk individuals out of the room and away from hot surfaces.
- Never leave children alone near a hot firebox, whether operating or cooling down.
- Teach children to NEVER touch the firebox.
- Consider not using the firebox when children will be present.

Contact your dealer for more information, or visit: [www.hpba.org/safety-information](http://www.hpba.org/safety-information).

### ⚠ WARNING!

Do not attempt to burn solid wood fuels, vented gas log sets, or any other combustible in this unvented firebox. Also, do not install a vent-free gas log set in this firebox if the minimum clearance and height requirements of the log set are too large for the firebox.

### ⚠ WARNING!

Never connect appliance to private (non-utility) gas wells. This gas is commonly known as wellhead gas.

### ⚠ WARNING!

- Any change to this firebox or its controls can be dangerous.
- Improper installation or use of the firebox can cause serious injury or death from fire, burns, explosion or carbon monoxide poisoning.
- Do not allow fans to blow directly into the firebox. Avoid any drafts that alter burner flame patterns.
- Do not use a blower insert, heat exchanger insert or other accessory, not approved for use with this firebox where applicable.

1. Any safety screen or guard removed for servicing, must be replaced prior to operating a heater within the firebox.
2. Installation and repair should be done by a qualified service person.
3. To prevent malfunction and/or sooting, an unvented gas heater/firebox should be cleaned at least annually by a professional service person. More frequent cleaning may be required due to excessive lint from carpeting, etc. It is imperative that control compartments, burners and circulating air passageways be kept clean.
4. **CARBON MONOXIDE POISONING:** Early signs of carbon monoxide poisoning are similar to the flu with headaches, dizziness and/or nausea. If you have these signs, obtain fresh air immediately. Have the heater serviced as it may not be operating properly.
5. Do not install the unvented heater in a bathroom.
6. Do not install an unvented heater in a bedroom unless the maximum input rating is equal to or less than 10,000 Btu/hr.
7. Correct installation of the logs, proper location of the heater, and annual cleaning are necessary to avoid potential problems with sooting. Sooting, resulting from

improper installation or operation, can settle on surfaces outside the firebox. See log placement instructions for proper installation.

8. Avoid any drafts that alter burner flame patterns. Do not allow fans to blow directly into firebox. Do not place a blower inside burn area of firebox. Ceiling fans may create drafts that alter burner flame patterns. Sooting and improper burning will occur.
9. **CAUTION:** Candles, incense, oil lamps, etc. produce combustion byproducts including soot. Vent-free appliances will not filter or clean soot produced by these types of products. In addition, the smoke and/or aromatics (scents) may be re-burnt in the vent-free appliance which can produce odors. It is recommended to minimize the use of candles, incense, etc. while the vent-free appliance is in operation.
10. An unvented gas-fired heater uses air (oxygen) from the room in which it is installed. Provisions for adequate combustion and ventilation air must be provided. See installation guidelines.
11. Keep room area clear and free from combustible materials, gasoline and other flammable vapors and liquids.
12. Unvented gas heaters are a supplemental zone heater. They are not intended to be a primary heating appliance.
13. Unvented gas heaters emit moisture into the living area. In most homes of average construction, this does not pose a problem. In houses of extremely tight construction, additional mechanical ventilation is recommended.
14. During manufacturing, fabricating and shipping, various components of this firebox are treated with certain oils, films or bonding agents. These chemicals are not harmful but may produce annoying smoke and smells as they are burned off during the initial operation of the firebox; possibly causing headaches, or eye or lung irritation. This is a normal and temporary occurrence. The initial break-in operation should last two to three hours with the burner at the highest setting. Provide maximum ventilation by opening windows or doors to allow odors to dissipate. Any odors remaining after this initial break-in period will be slight and will disappear with continued use.
15. Do not use this room heater if any part has been under water. Immediately call a qualified service technician to inspect the room heater and to replace any part of the control system and any gas control which has been under water.
16. Never burn solid fuels in a firebox where a unvented room heater is installed.
17. Always have a firebox screen in place when the appliance is in operation, and unless other provisions for combustion air are provided, the screen shall have an opening(s) for induction of combustion air.

## B. Clear Space

**WARNING! DO NOT** place combustible objects in front of the firebox. High temperatures could start a fire. See Figure 3.1.

Avoid placing candles and other heat-sensitive objects on mantel or hearth. Heat could damage these objects.

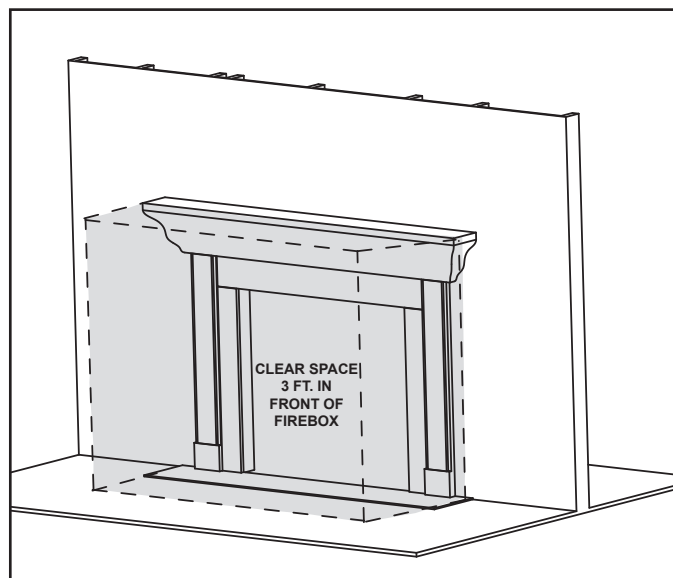


Figure 3.1 Clear Space Requirement - All Models

## C. Over Firing

The firebox is considered to be over firing if the flames are higher than the firebox opening. Call a qualified service technician to service the firebox.

## D. Firebox Break-In

Initial Break-in Procedure

- The firebox should be run three to four hours continuously.
- Turn the firebox off and allow it to completely cool.

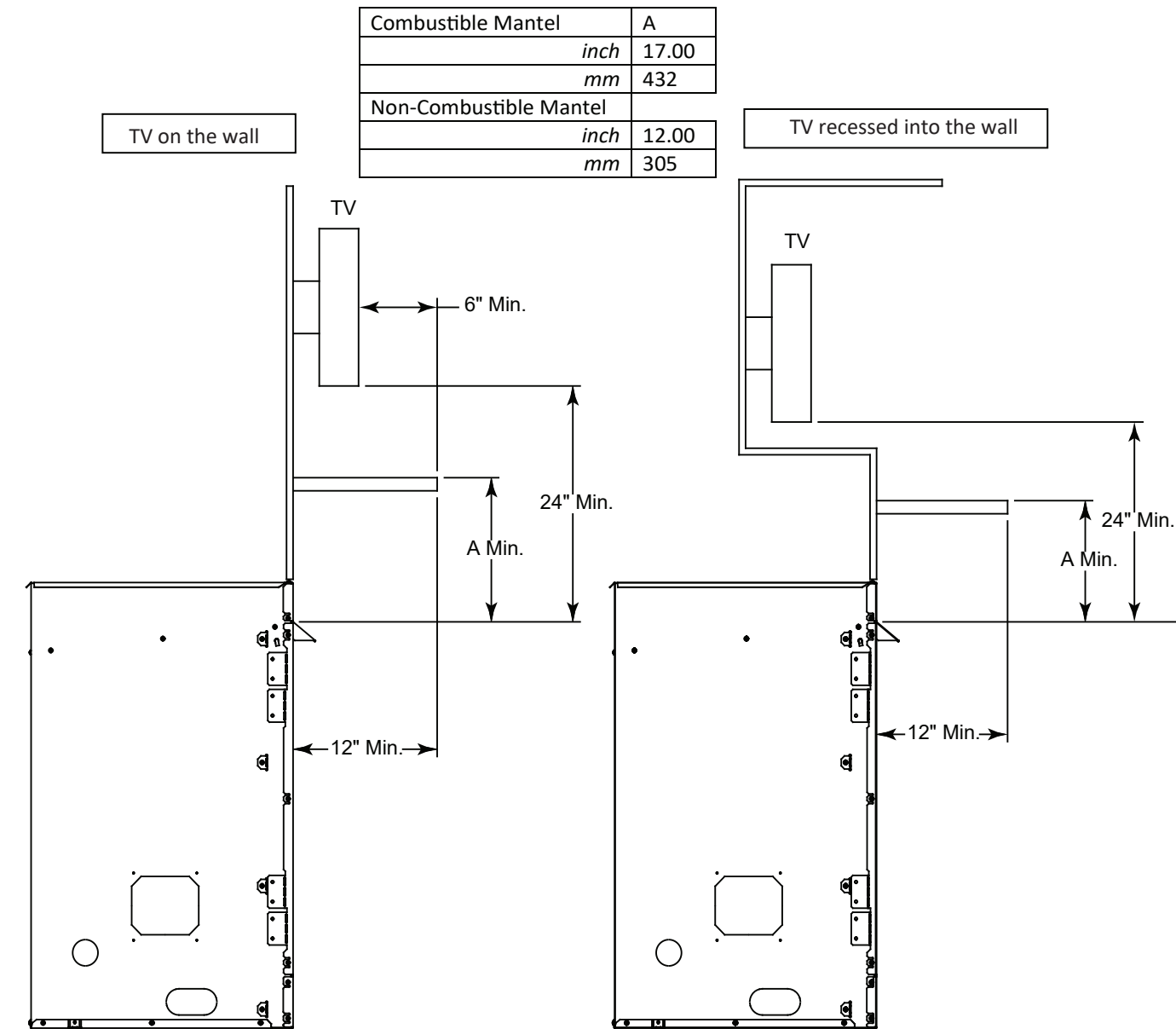
This cures the materials used to manufacture the firebox.

**NOTICE! Open windows for air circulation during firebox break-in.**

- Some people may be sensitive to smoke and odors.
- Smoke detectors may activate.

## E. Good Faith Wall Surface/TV Guidelines

### Good Faith Guidelines for TV Installation's above a Typical Gas Fireplace



#### Notes:

1. These are good faith recommended clearances only and not a guarantee of compliance with all TV manufacturers' maximum allowable operating temperatures.
2. Since every home has unique air flow characteristics and maximum allowable operating temperatures can vary from manufacturer to manufacturer and from model to model, actual TV temperatures should be validated at the time of each installation. TVs should not be used in situations where the actual TV temperature exceeds the manufacturers' maximum allowable operating temperatures identified in the TV's technical specifications. Contact the TV's manufacturer directly if you cannot locate this information or have questions regarding the information.
3. Mantel height and depth must conform to mantel requirements specified in the fireplace installation manual.
4. "A" dimension taken from the top of the firebox opening.
5. Suggestions on how to further reduce TV temperatures:
  - Increase "A" and/or 24" minimum TV height dimensions.

Figure 3.4 Good Faith Guidelines

# 4 Maintenance and Service

Any safety screen or guard removed for servicing must be replaced prior to operating the fireplace.

When properly maintained, your firebox will give you many years of trouble-free service. **Contact your dealer** to answer questions regarding proper operation, trouble-shooting and service. Visit [www.monessenhearth.com](http://www.monessenhearth.com) to locate a dealer. We recommend annual service by a qualified service technician.

## A. Maintenance: Frequency and Tasks

Task	Frequency	To be completed by
Screen	Annually	Homeowner
Firebox Inspection	Annually	Qualified Service Technician
Light Bulbs	As needed	
Refractory	Annually	

## B. Maintenance Tasks - Homeowner

Installation and repair should be done by a qualified service technician only. The firebox should be inspected before use and at least annually by a professional service person.

The following tasks may be performed annually by the homeowner. If you are uncomfortable performing any of the listed tasks, please call your dealer for a service appointment.

More frequent cleaning may be required due to excessive lint from carpeting, bedding material, et cetera. It is imperative that control compartments, burners and circulating air passageways of the appliance be kept clean. Any safety screen, guard, or barrier removed for servicing the appliance must be replaced prior to operating the appliance.

**CAUTION! Risk of Burns!** The firebox shall be turned off and cooled before servicing.

### Screen

**Frequency:** Annually

**By:** Homeowner

**Tools needed:** Protective gloves

- Assess condition of screen and replace as necessary.
- Inspect for damage and repair as necessary.
- Check that screen is not blocked.
- Vacuum and dust surfaces.

## C. Maintenance Tasks - Qualified Service Technician

The following tasks must be performed by a qualified service technician.

### Firebox

**Frequency:** Annually

**By:** Qualified Service Technician

**Tools needed:** Protective gloves, sandpaper, steel wool, cloths, mineral spirits, primer and touch-up paint.

- Inspect for paint condition, warped surfaces, corrosion or perforation. Sand and repaint as necessary.
- Replace firebox if firebox has been perforated.

# 5 Frequently Asked Questions and Troubleshooting

---

## A. Frequently Asked Questions

ISSUE	SOLUTIONS
Odor from firebox	When first operated, this firebox may release an odor for the first several hours. This is caused by the curing of the paint and the burning off of any oils remaining from manufacturing. Odor may also be released from finishing materials and adhesives used around the firebox.
Metallic noise	Noise is caused by metal expanding and contracting as it heats up and cools down, similar to the sound produced by a furnace or heating duct. This noise does not affect the operation or longevity of the firebox.

**Contact your dealer** for additional information regarding operation and troubleshooting. Visit [www.monessenhearth.com](http://www.monessenhearth.com) to locate a dealer.

## 6 Reference Materials

---

### A. Accessories

Install approved accessories per instructions included with accessories. Contact your dealer for a list of approved accessories.

***WARNING! Risk of Fire and Electric Shock! Use ONLY Hearth & Home Technologies-approved optional accessories with this appliance. Using non-listed accessories could result in a safety hazard and will void the warranty.***

### Decorative Fronts

***WARNING! Risk of Fire! Install ONLY fronts approved by Hearth & Home Technologies. Unapproved fronts may cause firebox to overheat.***

# 7 Service Parts

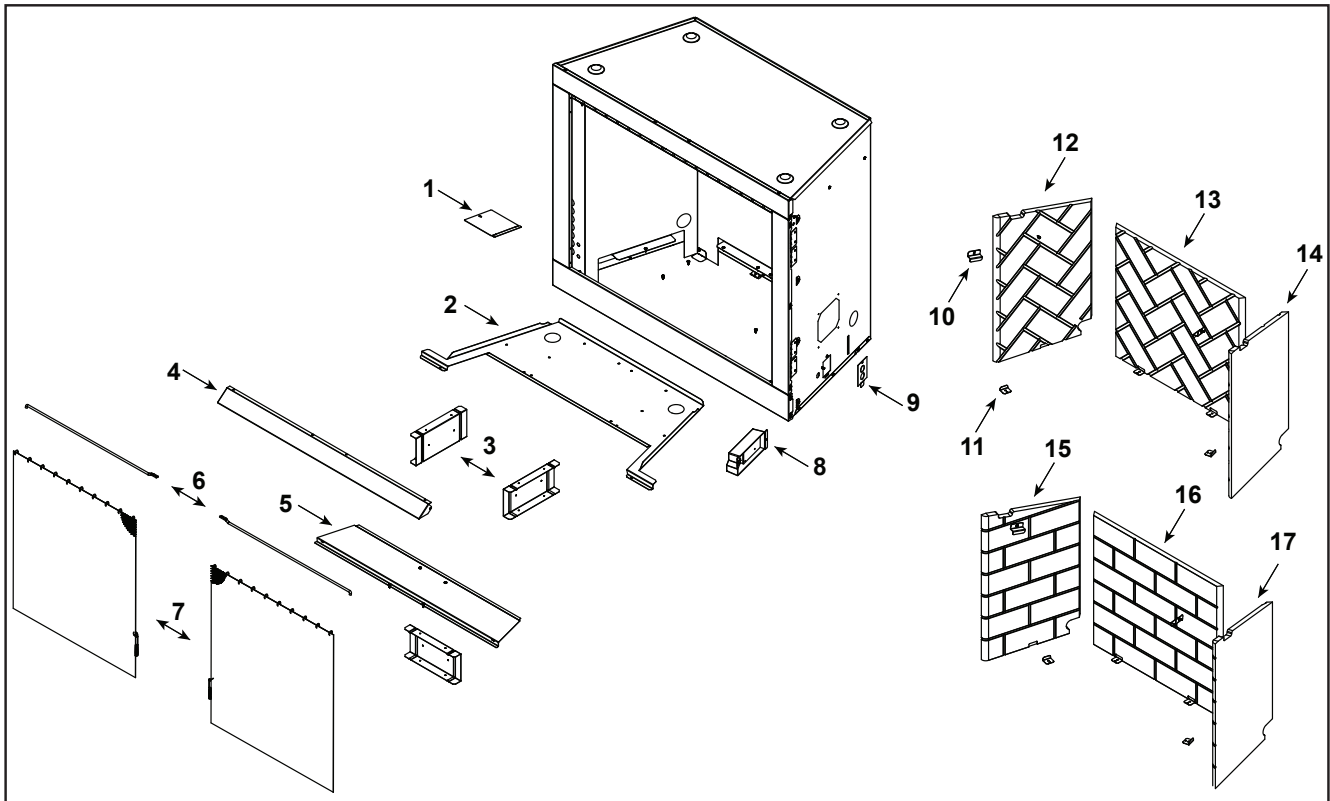


Service Parts

**BUF32A, BUF32-T, BUF32-H**

32" Exacta

Beginning Manufacturing Date: April 2021  
Ending Manufacturing Date: Active



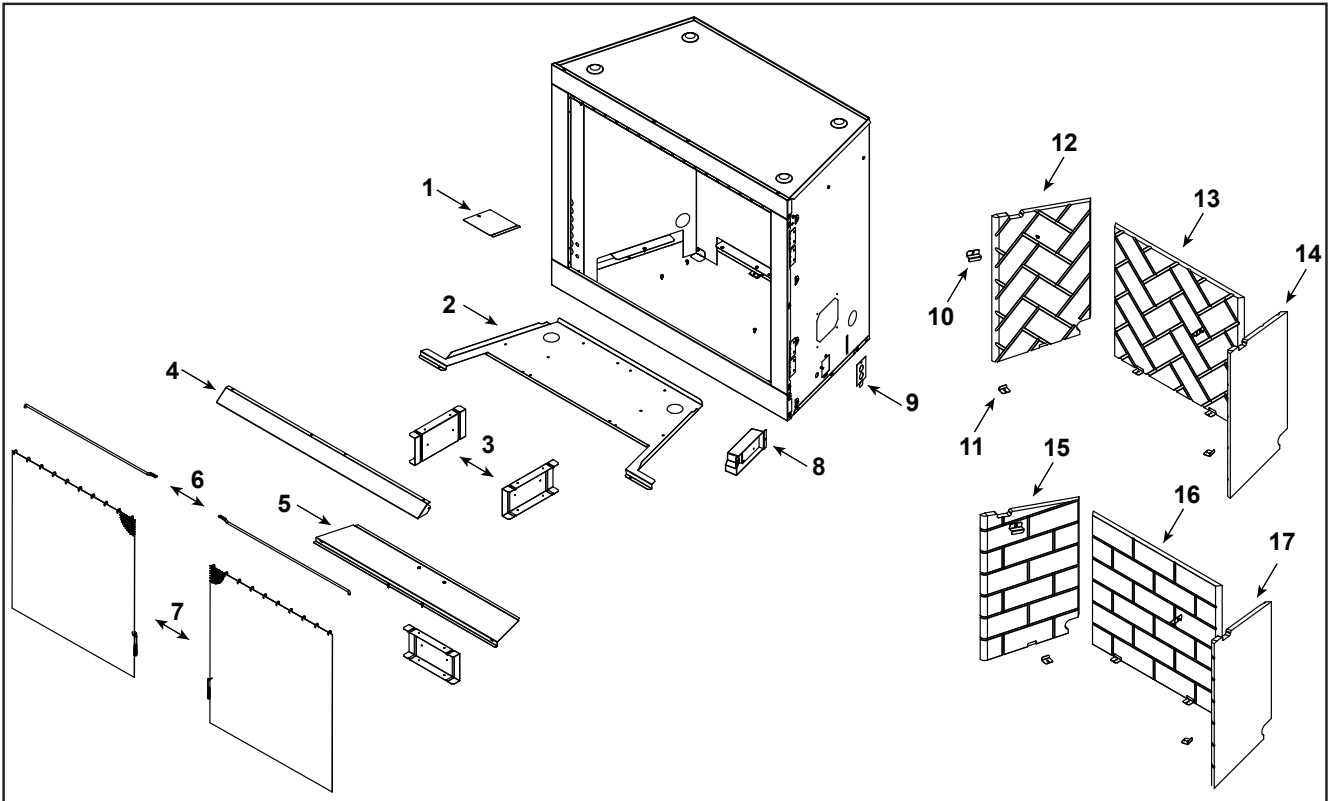
**IMPORTANT: THIS IS DATED INFORMATION.** Parts must be ordered from a dealer or distributor. **Hearth and Home Technologies does not sell directly to consumers.** Provide model number and serial number when requesting service parts from your dealer or distributor.



**Stocked at Depot**

ITEM	DESCRIPTION	COMMENTS	PART NUMBER	
1	Light Cover		SRV4137-144	
2	Firebox Bottom		SRV4136-129	
3	Firebox Support	Qty 3 req	SRV4137-131	
4	Hood		SRV4136-109	
5	Access Cover		SRV4136-130	
6	Screen Rod	Qty 2 req	SRV4136-302	Y
7	Firesecreen Assembly	Qty 2 req	SRV4136-300	Y
8	Junction Box (Plastic)		SRV4021-013	Y
9	Junction Box Cover Plate		SRV4137-115	
10	Refractory Bracket, Upper	Qty 2 req	SRV4137-147	
11	Refractory Bracket, Lower	Qty 4 req	SRV4137-116	
12	Left Concrete Panel	Herringbone	SRV4137-266	
13	Back Concrete Panel	Herringbone	SRV4136-265	
14	Right Concrete Panel	Herringbone	SRV4137-267	
15	Left Concrete Panel	Traditional	SRV4137-260	
16	Back Concrete Panel	Traditional	SRV4136-259	
17	Right Concrete Panel	Traditional	SRV4137-261	

1/21



IMPORTANT: THIS IS DATED INFORMATION. Parts must be ordered from a dealer or distributor. **Hearth and Home Technologies does not sell directly to consumers.** Provide model number and serial number when requesting service parts from your dealer or distributor.



**Stocked at Depot**

ITEM	DESCRIPTION	COMMENTS	PART NUMBER	
1	Light Cover		SRV4137-144	
2	Firebox Bottom		SRV4137-129	
3	Firebox Support	Qty 3 req	SRV4137-131	
4	Hood		SRV4137-109	
5	Access Cover		SRV4137-130	
6	Screen Rod	Qty 2 req	SRV4137-302	Y
7	Firesecreen Assembly	Qty 2 req	SRV4137-300	Y
8	Junction Box (Plastic)		SRV4021-013	Y
9	Junction Box Cover Plate		SRV4137-115	
10	Refractory Bracket, Upper	Qty 2 req	SRV4137-147	
11	Refractory Bracket, Lower	Qty 4 req	SRV4137-116	
12	Left Concrete Panel	Herringbone	SRV4137-266	
13	Back Concrete Panel	Herringbone	SRV4137-265	
14	Right Concrete Panel	Herringbone	SRV4137-267	
15	Left Concrete Panel	Traditional	SRV4137-260	
16	Back Concrete Panel	Traditional	SRV4137-259	
17	Right Concrete Panel	Traditional	SRV4137-261	

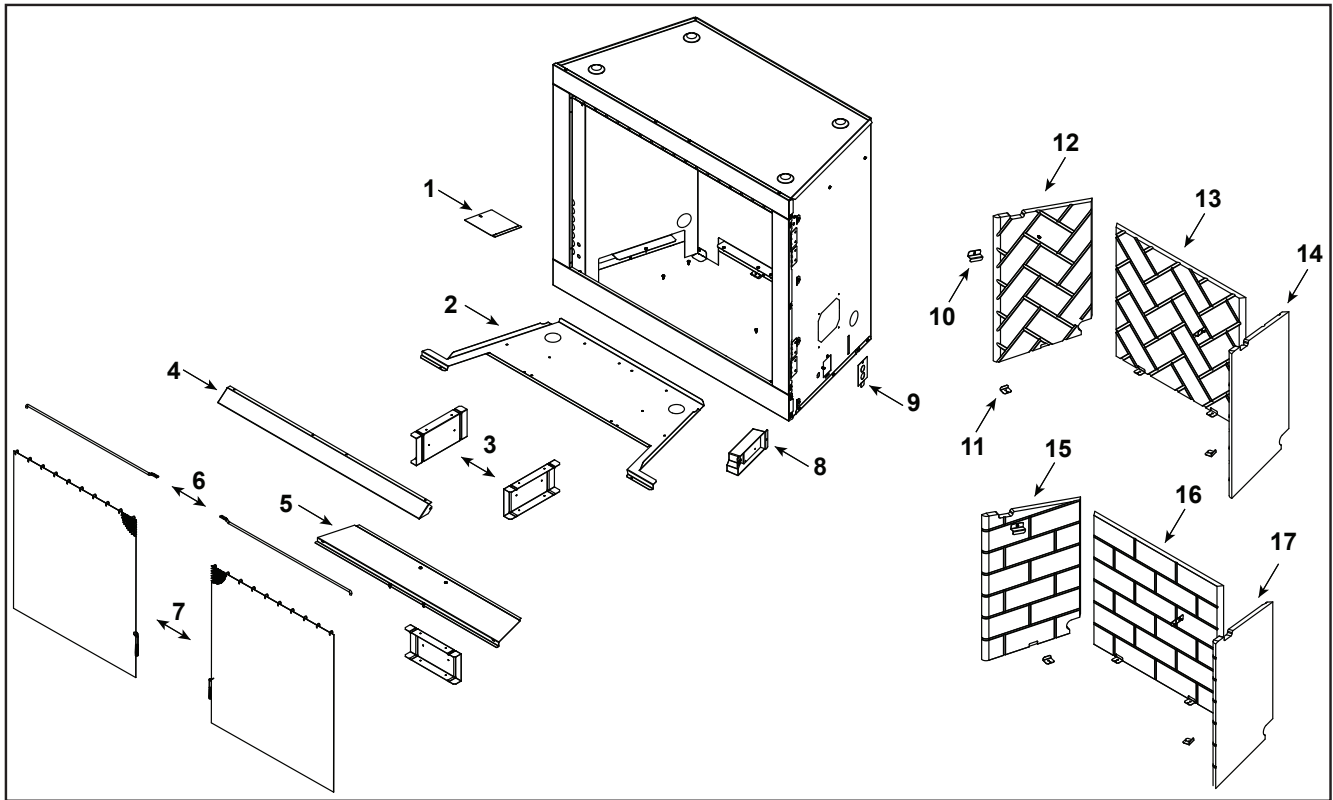


Service Parts

BUF42A, BUF42-T, BUF42-H

42" Exacta

Beginning Manufacturing Date: April 2021  
Ending Manufacturing Date: Active



IMPORTANT: THIS IS DATED INFORMATION. Parts must be ordered from a dealer or distributor. **Hearth and Home Technologies does not sell directly to consumers.** Provide model number and serial number when requesting service parts from your dealer or distributor.



Stocked at Depot

ITEM	DESCRIPTION	COMMENTS	PART NUMBER	
1	Light Cover		SRV4137-144	
2	Firebox Bottom		SRV4138-129	
3	Firebox Support	Qty 3 req	SRV4137-131	
4	Hood		SRV4138-109	
5	Access Cover		SRV4138-130	
6	Screen Rod	Qty 2 req	SRV4138-302	Y
7	Firesecreen Assembly	Qty 2 req	SRV4138-300	Y
8	Junction Box (Plastic)		SRV4021-013	Y
9	Junction Box Cover Plate		SRV4137-115	
10	Refractory Bracket, Upper	Qty 2 req	SRV4137-147	
11	Refractory Bracket, Lower	Qty 4 req	SRV4137-116	
12	Left Concrete Panel	Herringbone	SRV4137-266	
13	Back Concrete Panel	Herringbone	SRV4138-265	
14	Right Concrete Panel	Herringbone	SRV4137-267	
15	Left Concrete Panel	Traditional	SRV4137-260	
16	Back Concrete Panel	Traditional	SRV4138-259	
17	Right Concrete Panel	Traditional	SRV4137-261	

1/21

– NOTES –

---

---

---

---

---

---

---

---

---

---



LOVE AT FIRST LIGHT

Monessen, a brand of Hearth & Home Technologies  
7571 215th Street West, Lakeville, MN 55044  
[www.monessenhearth.com](http://www.monessenhearth.com)