

*Top Vent
Direct Vent Models*

DBT33

DBT36

DBT39

INSTALLATION INSTRUCTIONS & HOMEOWNER'S MANUAL

WARNING! IF THE INFORMATION IN THIS MANUAL IS NOT FOLLOWED EXACTLY, A FIRE OR EXPLOSION MAY RESULT CAUSING PROPERTY DAMAGE, PERSONAL INJURY OR LOSS OF LIFE.

FOR YOUR SAFETY

WHAT TO DO IF YOU SMELL GAS:

- * Do not try to light any appliance.
- * Do not touch any electric switch
- * Do not use any phone in your building.
- * Immediately call your gas supplier from your neighbours phone. Follow the gas suppliers instructions.
- * If you cannot reach your gas supplier call the fire department

FOR YOUR SAFETY

**DO NOT STORE
OR USE GASOLINE OR OTHER
FLAMMABLE VAPOURS AND/OR
LIQUIDS IN THE VICINITY OF THIS OR
ANY OTHER APPLIANCE.**

**Installation and service must be performed
by a qualified installer, service agency or
your gas supplier.**



INSTALLER: DO NOT DISCARD THIS MANUAL - LEAVE FOR HOMEOWNER

10002789
08/00 Rev. 0

TABLE OF CONTENTS

Please Read The Installation & Operating Instructions Carefully Before Using The Appliance.

Important: Read all the instructions and warnings carefully before starting the installation. Failure to follow these instructions fully may result in a possible fire hazard and will void the manufacturers warranty.

Appliance Installation instructions	
Important curing/burning instructions	3
Locating your fireplace	3
Fireplace Dimensions	4
Clearance to Combustibles	5
Mantels.....	5
Hearths	5
Framing and Finishing	5
Final finishing	6
Gas Specifications.....	6
Gas Inlet & Manifold Pressures.....	6
Gas Line Installation	7
Remote Switch Installation.....	7
Converting the Appliance Between Gas Types.....	8
Venting Installation Instructions	
General Venting Information - Terminal Location	9
Connecting Direct Vent Components.....	11
How To Use The Vent Graph	11
Vertical sidewall Applications	12
Vertical sidewall Installations	13
Below Grade Installations.....	14
Vertical Through-The-Roof Applications	15
Vertical Through-The-Roof Installations	17
Venting Components - crimped end venting.....	18
Venting Components - Twist Lock venting	19
Operating Instructions	
Glass Warning	20
General Maintenance	20
Louvre Removal	20
Glass/Frame Removal.....	20
Glass Cleaning	20
Installation of Logs & Lava Rock.....	21
Flame & Temperature Adjustment.....	22
Flame Characteristics & Appearance.....	22
Lighting Instructions.....	23
Troubleshooting Guide	24
Replacement Parts	
Part Number List.....	26
Parts Pictorial	28
Optional Accessories	
EB-1 Electrical Junction Box	29
Fan Kits.....	29
Ceramic Refractory Lining	31
Window Screen Kit.....	31
Decorative Bay Window	32
Remote Control Units	32
Warranty Information	Back Cover

INSTALLATION & OPERATING INSTRUCTIONS

This gas fireplace should be installed by a qualified installer in accordance with local building codes and with current CAN/CGA-B149 (. 1 or .2) Installation codes for Gas Burning Fireplaces and Equipment.

FOR U.S.A Installations follow local codes and/or the current National Fuel Gas Code. ANSI Z223.1.

FOR SAFE INSTALLATION AND OPERATION PLEASE NOTE THE FOLLOWING:

1. This fireplace gives off high temperatures and should be located out of high traffic areas and away from furniture and draperies.
2. Children and adults should be alerted to the hazards of the high surface temperatures of this fireplace and should stay away to avoid burns or ignition of clothing.
3. **Caution, due to high glass surface temperature children should be carefully supervised when they are in the same room as the fireplace.**
4. Under no circumstances should this fireplace be modified. Parts removed for servicing should be replaced prior to operating the fireplace again.
5. Installation and any repairs to this fireplace should be carried out by a qualified service person. A professional service person should be contacted to inspect this fireplace annually. Make it a practice to have all of your gas fireplaces checked annually. More frequent cleaning may be required due to excess lint and dust from carpeting, bedding material, etc.
6. Control compartments, burners and air passages in this fireplace should be kept clean and free of dust and lint. Make sure that the gas valve and pilot light are turned off before you attempt to clean this fireplace.
7. The venting system (chimney) of this fireplace should be checked at least once a year and if needed your venting system should be cleaned.
8. Keep the area around your fireplace clear of combustible materials, gasoline and other flammable vapour and liquids. This fireplace should not be used as a drying rack for clothing, nor should Christmas stockings or decorations be hung on or around the fireplace.
9. Under no circumstances should any solid fuels (wood, coal, paper or cardboard etc.) be used in this fireplace.
10. The flow of combustion and ventilation air must not be obstructed in any way.
11. When the fireplace is installed directly on carpeting, vinyl tile or any combustible material other than wood, the fireplace must be installed on a metal or wood panel extending the full width and depth of the fireplace.
12. This fireplace must not be connected to a chimney flue serving a separate solid fuel burning fireplace.
13. When the fireplace is not in use it is recommended that the gas control valve be left in the **OFF** position.

This appliance has been approved for after-market mobile home installations

IMPORTANT:

PLEASE REVIEW THE FOLLOWING CAREFULLY

Remove any plastic from trim parts before turning the fireplace ON.

It is normal for fireplaces fabricated of steel to give off some expansion and/or contraction noises during the start up or cool down cycle. Similar noises are found with your furnace heat exchanger or car engine.

It is not unusual for your gas fireplace to give off some odour the first time it is burned. This is due to the curing of the paint and any undetected oil from the manufacturing process.

Please ensure that your room is well ventilated - open all windows.

It is recommended that you burn your fireplace for a least six (6) hours the first time you use it. If the optional fan kit has been installed, place the fan switch in the "OFF" position during this time.

LOCATING YOUR FIREPLACE

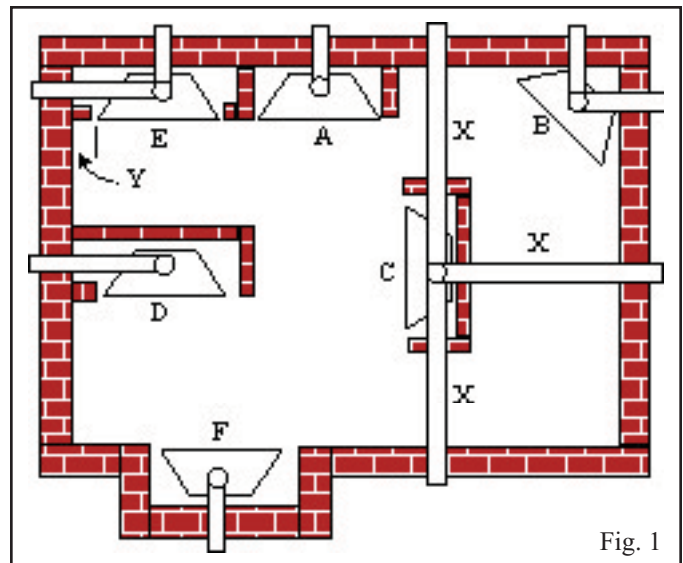


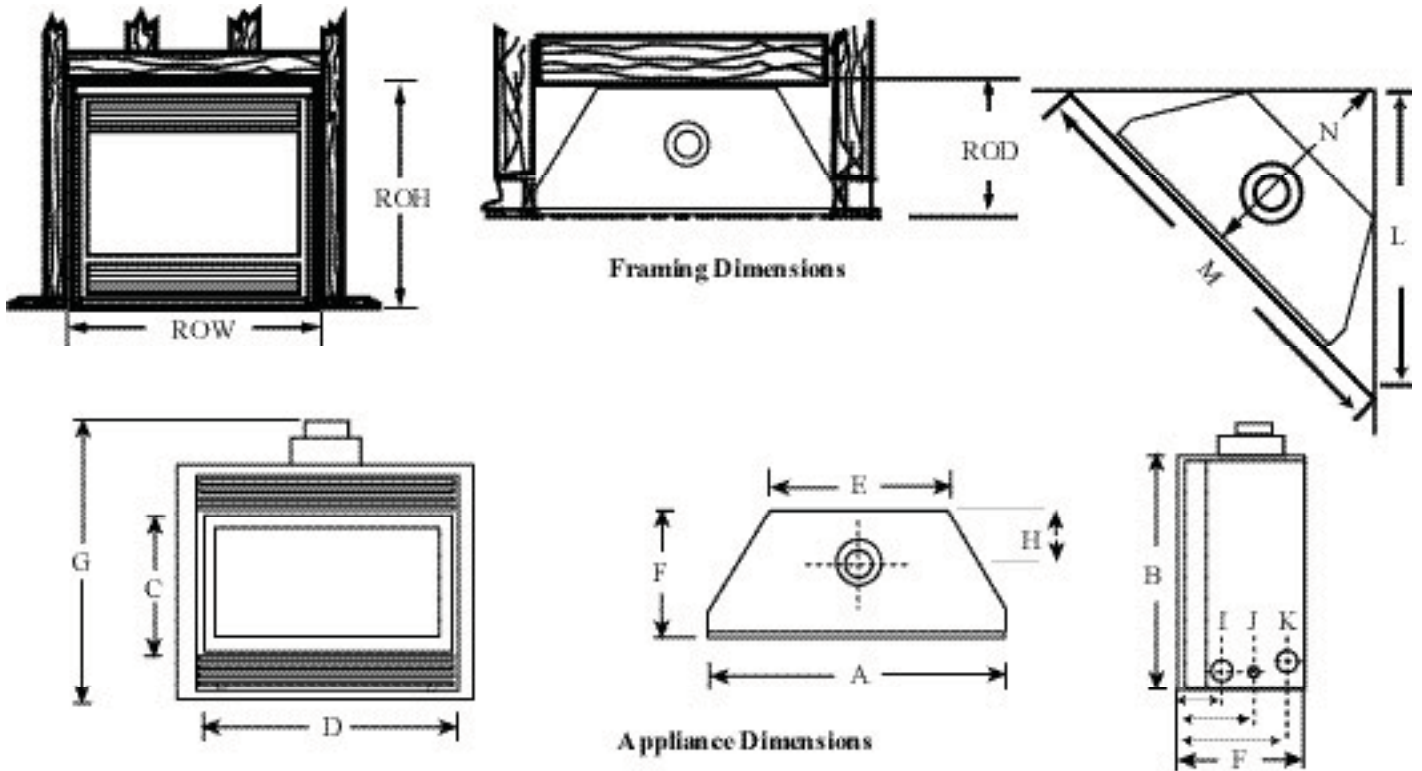
Fig. 1

- | | |
|---------------------------------|------------------------|
| A - Flat on the wall | B - Cross Corner |
| C - * Island | D - ** Room Divider |
| E - ** Flat on wall (in corner) | F - Chase Installation |

* Island (C) and Room Divider (D) installation is possible as long as the horizontal portion of the vent system (X) does not exceed 20' (6.1 m). See details in the venting section of this manual.

** When you install your fireplace in a Room divider (D) or flat on the wall in a corner (E), a minimum distance of 6" (153 mm) clearance must be maintained from the perpendicular wall and the front of the appliance. See (Y) in Fig. 1.

APPLIANCE DIMENSIONS



Appliance Dimensions			
Ref.	DBT33	DBT36	DBT39
A	838 mm (33")	914 mm (36")	991 mm (39")
B	733 mm (28.87")	870 mm (34.25")	870 mm (34.25")
C	416 mm (16.37")	533 mm (21")	533 mm (21")
D	787 mm (31")	838 mm (33")	914 mm (36")
E	559 mm (22")	610 mm (24")	610 mm (24")
F	356 mm (14")	406 mm (16")	406 mm (16")
G	810 mm (31.89")	946 mm (37.25")	946 mm (37.25")
H	152 mm (6")	181 mm (7.13")	190 mm (7.5")
I	149 mm (5.87")	171 mm (6.75")	159 mm (6.25")
J	200 mm (7.87")	254 mm (10")	213 mm (8.38")
K	297 mm (11")	343 mm (13.5")	318 mm (12.5")
Framing Dimensions			
L	894 mm (35.18")	1010 mm (39.75")	1016 mm (40")
M	1264 mm (49.75")	1403 mm (55.25")	1422 mm (56")
N	708 mm (24.87")	714 mm (28.13")	718 mm (28.25")
ROD	368 mm (14.5")	419 mm (16.5")	419 mm (16.5")
ROW	851 mm (33.5")	927 mm (36.5")	1003 mm (39.5")
ROH	737 mm (29")	889 mm (35")	889 mm (35")

CLEARANCE TO COMBUSTIBLES

Appliance

- Top..... 0 mm (0")
- Bottom..... 0 mm (0")
- Side..... 0 mm (0")
- Back..... 0 mm (0")

Venting

- Concentric sections of DV Vent
- Top, bottom & sides .. 25 mm (1")

MANTELS

The height that a combustible mantel is fitted above the fireplace is dependent on the depth of the mantel. This also applies to the distance between the mantel leg (if fitted) and the fireplace.

For the correct mounting height and widths refer to Fig. 2 and the following Mantel Charts.

The fitting of a bay window trim kit does not effect the distances and reference points referred to in the diagram and chart.

Non-combustible mantels and legs may be installed at any height and width around the appliance.

When using paint or lacquer to finish the mantel, such paint or lacquer must be heat resistant to prevent discolouration.

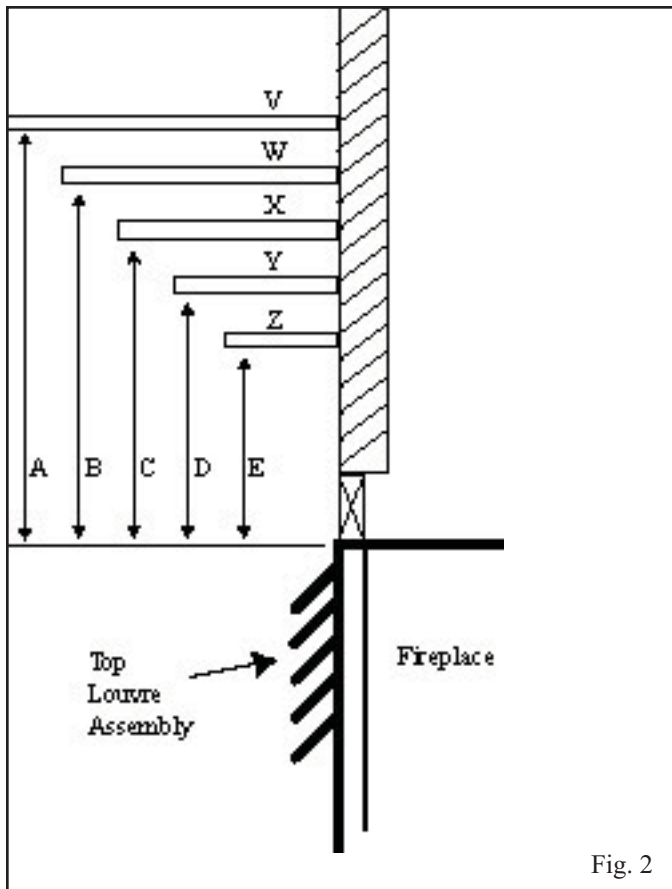


Fig. 2

Mantel Shelf Chart (Minimum Height)			
Ref.	Mantel Depth	Ref.	Height above louvre
V	10" (254 mm)	A	12" (305 mm)
W	8" (203 mm)	B	10" (254 mm)
X	6" (152 mm)	C	8" (203 mm)
Y	4" (101 mm)	D	6" (152 mm)
Z	2" (50 mm)	E	4" (101 mm)

Mantel Leg Dimensions (Minimum Width)		
Ref.	Mantel Leg Depth	Distance From Edge of Glass
A	10" (254 mm)	10" (254 mm)
B	8" (203 mm)	8" (203 mm)
C	6" (152 mm)	6" (152 mm)
D	4" (101 mm)	4" (101 mm)
E	2" (51 mm)	2" (51 mm)

HEARTH

A Hearth is not mandatory but it is recommended for aesthetic purpose. We recommend a non-combustible hearth which projects out 12" (305 mm) or more from the front of the fireplace.

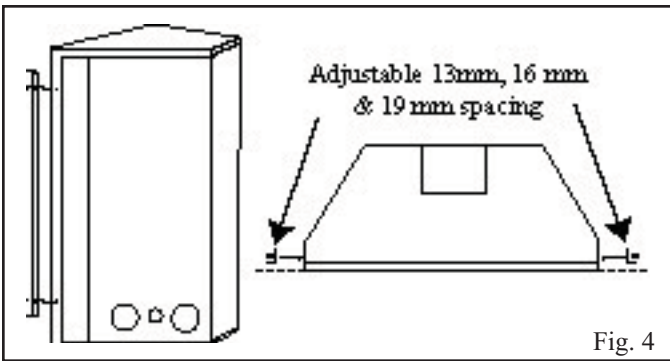
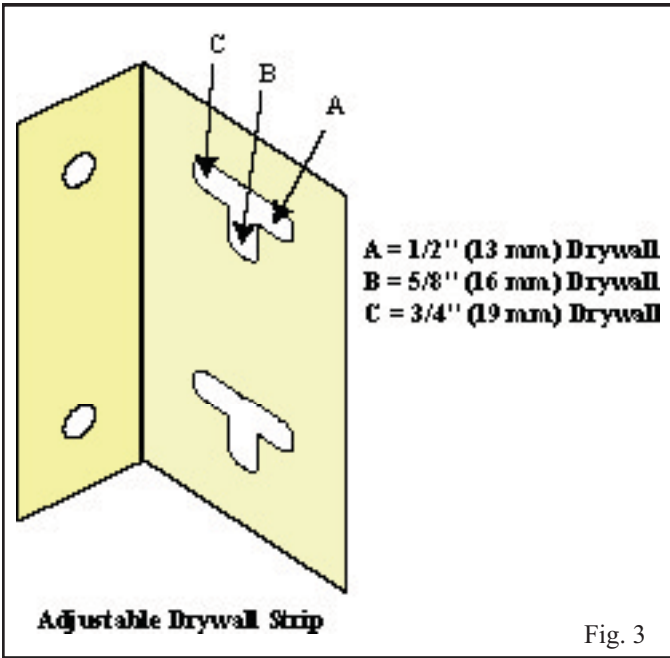
Cold climate Installation Recommendation:



When installing this unit against a non-insulated exterior wall or chase, it is mandatory that the outer walls be insulated to conform to applicable insulation codes.

FRAMING AND FINISHING

1. Choose the unit location.
2. Place the unit into position and secure it to the floor with 1.5" (38 mm) screws, or nails. The holes to secure the unit to the floor are located just behind the access door grille on the left and right side of the unit.
3. Frame in the fireplace with a header across the top. It is important to allow for the finished wall face when setting the depth of the frame.
4. Attach the fireplace to the frame using the adjustable frame drywall strips (located behind the access door for shipping). Preset the depth to suit the facing material of the wall. The strips are adjustable to 1/2" (13 mm), 5/8" (16 mm) or 3/4" (19 mm), Fig. 3 & 4.
5. Screw through the slotted holes in the drywall strip and into the pre-drilled holes in the fireplace side. Measure from the face of the fireplace to the face of the drywall strip to confirm the final depth.



FINAL FINISHING

Non-combustible materials such as brick or tile may be extended over the edges of the face of the appliance. **DO NOT** cover any vent or grille panels.

If a Trim Kit is going to be installed on the fireplace, the brick or tile will have to be installed flush with the edges of the appliance.

DBT33 / DBT36 / DBT39
CERTIFIED TO
ANSI Z21.88b-1999 / CSA Z2.33b-M99
Vented Gas Fireplace Heaters

GAS SPECIFICATIONS

Model	Fuel	Gas Control	Max. Input BTU/h	Min. Input BTU/h
DBT33RN	Nat.	Millivolt	15,000	10,500
DBT33RP	Prop.	Millivolt	15,000	11,250
DBT36RN	Nat.	Millivolt	18,000	12,600
DBT36RP	Prop.	Millivolt	18,000	13,500
DBT39RN	Nat.	Millivolt	22,000	15,400
DBT39RP	Prop.	Millivolt	22,000	16,500

The installation of your Gas Fireplace must conform with local codes, or in the absence of local codes, with the National Fuel Gas Code ANSI Z223.1 - latest edition, or CAN 1 B1-149.1 and .2 Installation Code. (EXCEPTION: Do not derate this appliance for altitude. Maintain the manifold pressure at 3.5" WC for Natural Gas and 10" WC for LP Gas

GAS INLET & MANIFOLD PRESSURES

	Natural Gas	LP (Propane)
Inlet Minimum	4.5" WC	11" WC
Inlet Maximum	7" WC	13" WC
Manifold Pressure	3.5" WC	10" WC

GAS LINE INSTALLATION

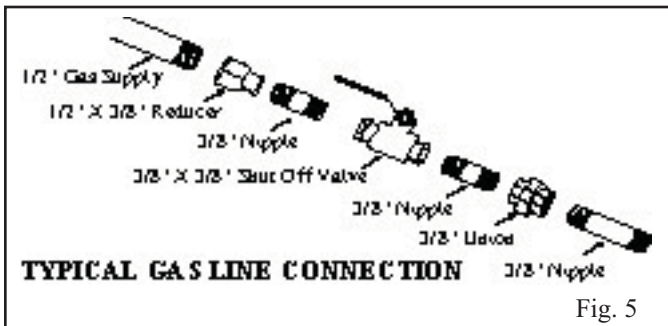


When purging the gas lines, the front glass must be removed.

The gas pipeline can be brought in through the rear of the fireplace as well as the bottom. Knockouts are provided on the bottom behind the valve to allow for the gas pipe installation and testing of any gas connection. It is most convenient to bring the gas line in from the rear right side of the valve as this allows fan installation or removal without disconnecting the gas line.

The gas line connection can be made with properly tinned 3/8" copper tubing, 3/8" rigid pipe or an approved flex connector. Since some municipalities have some additional local codes it is always best to consult your local authority and the CAN/CGA-B149 (.1 or .2) installation codes.

For U.S.A. Installations consult the current National Fuel Gas Code, ANSI Z223.1



Always check for gas leaks with a mild soap and water solution. Do not use an open flame for leak testing.

The gas control is equipped with a captured screw type pressure test point, therefore it is not necessary to provide a 1/8" test point up stream of the control.

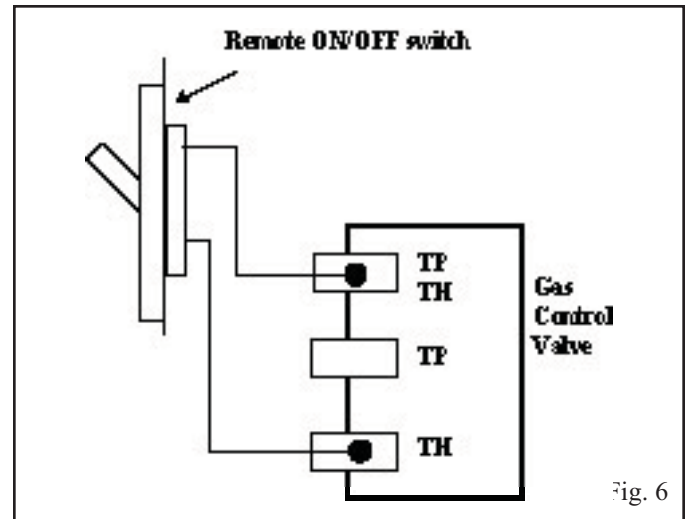
When using copper or flex connectors use only approved fittings. Always provide a union when using black iron pipe so that the gas line can be easily disconnected for burner or fan servicing. See the gas specification for pressure details and ratings.

The fireplace valve must not be subjected to any test pressures exceeding 1/2 p.s.i.. Isolate or disconnect this and any other gas appliance control from the gas line when pressure testing.

REMOTE ON/OFF SWITCH

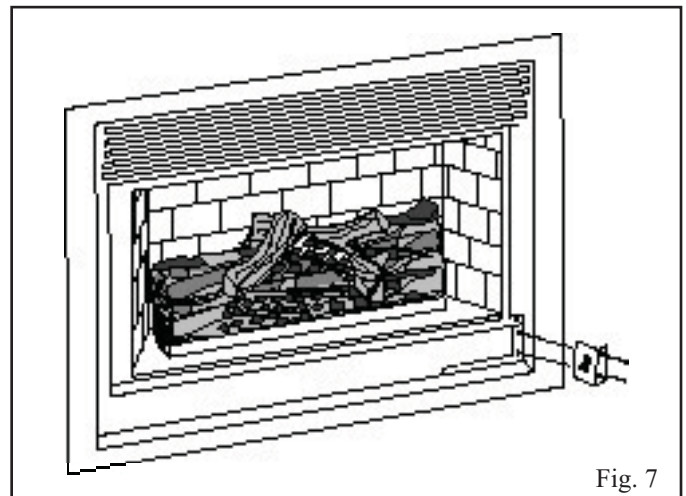
Installation

1. Thread the wiring through the holes on the end panels of the appliance. Take care not to cut the wire or insulation on metal edges. Route the wire to a conveniently located receptacle box.
2. Attach the wire to the ON/OFF switch and install the switch into the receptacle box.
3. Connect the other ends of the wire to the gas control valve as shown in Fig. 6.



Alternative Switch Location

The remote switch can be installed on the front/side of the access door. Simply mount the switch to the bracket provided and screw the bracket to either side of the frame, lining up the screws with the pre-punched holes, Fig. 7.



Do not wire the remote ON/OFF wall switch for the gas fireplace to the 120 volt power supply.

CONVERTING THE APPLIANCE FROM LP TO NATURAL GAS OR NATURAL GAS TO LP.

The **DBT33** is convertible between Natural Gas and LP gas (and vice-versa) with the use of a conversion kit purchased separately, see your dealer for the correct part number.



The DBT36 & 39 can only be converted from Propane to Natural gas.

The conversion of this appliance from one gas to another must be carried out by an authorized service provider.

1. Disconnect power to the unit and shut off the gas supply.
2. Remove the glass/frame assembly.
3. Carefully remove the logs & lava rock material
4. Remove the screws that are holding the burner housing in place.
5. Remove the burner housing. Depending on the model of the appliance you may have to loosen the pilot bracket retaining screw/nut to allow the pilot and bracket assembly to tilt and give enough clearance to remove the burner housing.
6. Remove the main burner orifice and replace it with the orifice supplied in the conversion kit.
7. **SIT Top Convertible Pilot**

Gently lift off the pilot hood from the pilot. (Do not remove the spring clip holding the hood in place). Using a correctly sized Allen key unscrew the exposed orifice. Insert the new orifice supplied in the kit, do not over-tighten the orifice. Replace the pilot hood ensuring the index tab aligns with the notch on the hood.

PSE Pilot

Using a suitable wrench on the hexagonal body unscrew the pilot hood assembly from the pilot, do not twist the hood itself. Remove the orifice and replace it with the new orifice supplied in the kit. Refit the pilot hood assembly. Do not over-tighten the pilot hood. The hood must return to its original alignment. Take care not to damage the thermocouple, thermopile or igniter.

9. **SIT 820 NOVA Gas Control Valve** (Fig. 9)
 - a) Using a Torx T20 or slotted screwdriver, remove and save the three pressure regulator mounting screws (A), pressure regulator tower (B) and diaphragm (C).
 - b) Ensure the rubber gasket (D) is properly positioned and install the new Hi/Lo pressure regulator to the valve using the new screws (E) supplied with the kit. Tighten screws securely. (Reference torque - 25 in.Lb).
 - c) Install the enclosed identification label (F) to the valve body where it can be easily seen.

Honeywell Gas Control Valve

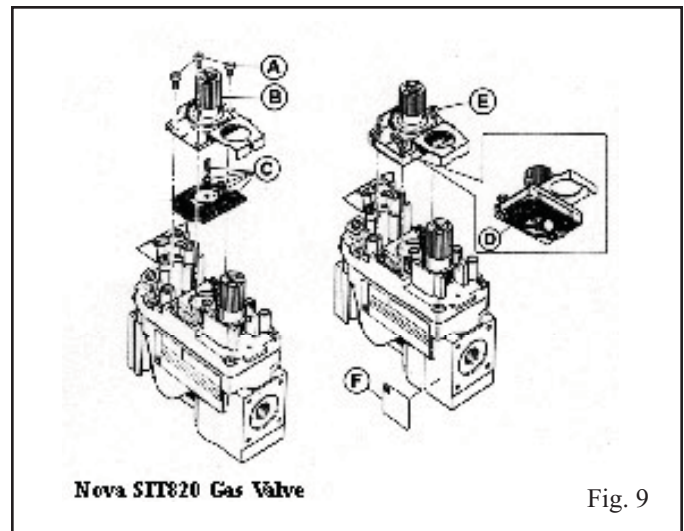
 (Fig. 10)

The Honeywell valve fitted to this unit is suitable for use with LP or Natural Gas. It is converted to the required gas application by the installation of a colour coded "conversion screw".

- a) Using a suitable small screwdriver lift out the central regulator cap from the 'Hi - Lo' knob on the valve.
 - b) Unscrew the exposed conversion screw.
 - c) Insert the new colour coded conversion screw. Do not over-tighten the screw, it must be finger tight.
 - d) Refit the regulator cap.
 - e) Mount the conversion label supplied with the conversion screw to the valve in a visible position.
10. Reassemble the fireplace in the reverse order, except for the front glass. Leave this off until the unit has been checked for leaks and the gas supply line has been bled.
 11. After bleeding the gas line and checking for leaks with a soap solution, replace the front glass. Fire up the unit, check for flame impingement on the logs, adjusting them if necessary. Check the manifold and supply pressures against the appliance specifications.

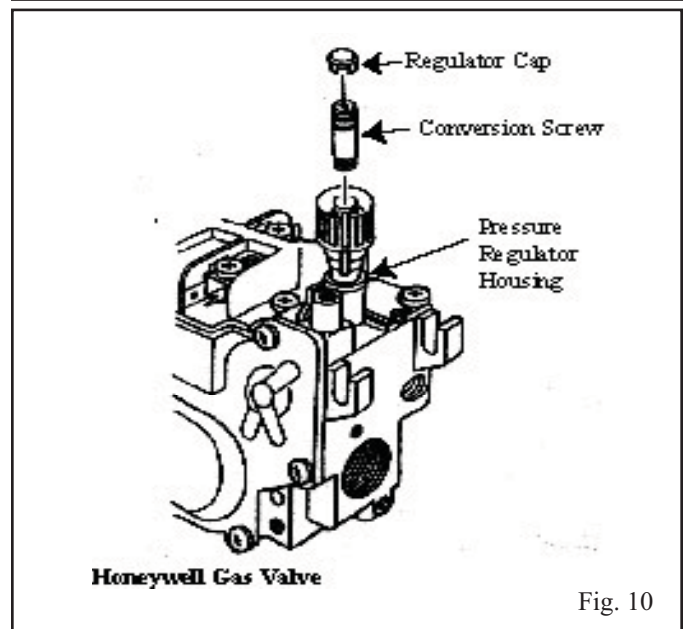


The procedure for converting from one gas to another is the same regardless of the initial gas used. The only variation is in the orifice sizes and component part numbers. Your authorized service provider will ensure the correct parts are used.



Nova SIT820 Gas Valve

Fig. 9



Honeywell Gas Valve

Fig. 10

GENERAL VENTING INFORMATION — TERMINATION LOCATION

Your fireplace is approved to be vented either through the side wall, or vertically through the roof.

- Only venting components specifically approved and labelled for this fireplace may be used.
- Minimum clearances between vent pipes and combustible materials is one (1") inch (25 mm).
- Venting terminals shall not be recessed into a wall or siding.
- Horizontal venting must be installed on a level plane without any incline or decline.

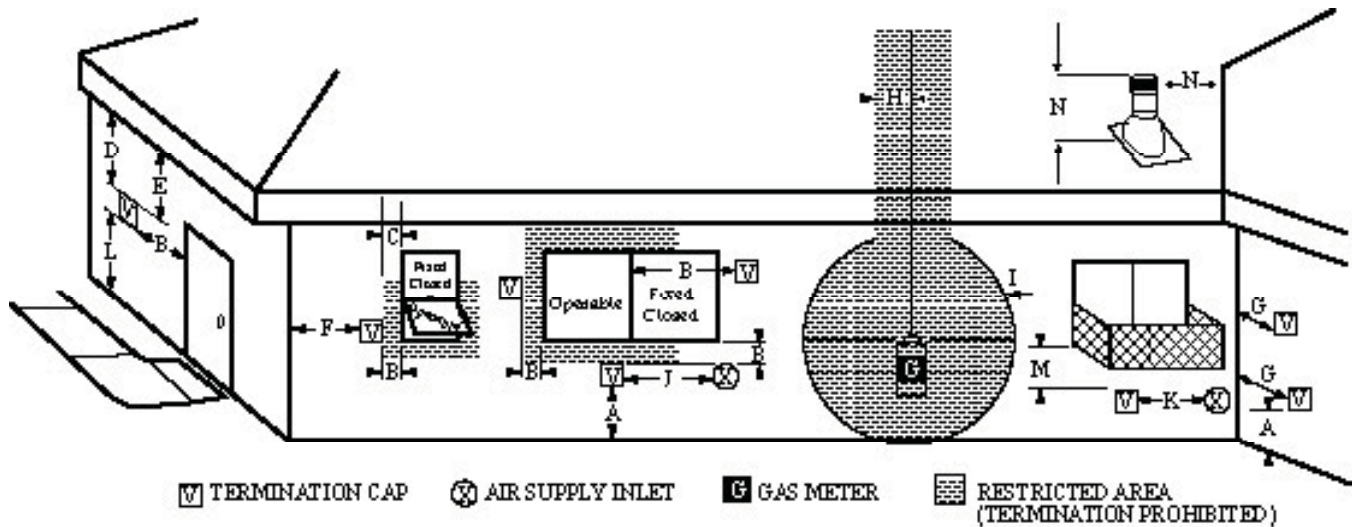
There must not be any obstruction such as bushes, garden sheds, fences, decks or utility buildings within 24" from the front of the termination hood.

Do not locate termination hood where excessive snow or ice build up may occur. Be sure to check vent termination area after snow falls, and clear to prevent accidental blockage of venting system. When using snow blowers, make sure snow is not directed towards vent termination area.

Location of Vent Termination

It is imperative that the vent termination be located observing the minimum clearances as shown on this page.

*Check with local codes or in absence of same with CAN/CGA B149 (.1 or .2) Installation Codes (1991) for Canada or for U.S.A. Installations follow the current National Fuel Gas Code, ANSI Z223.1.



- A = clearance above grade, veranda, porch, deck, or balcony [* 12 inches (305mm) minimum]
- B = clearance to window or door that may be opened [12" (306mm)].
- C = clearance to permanently closed window [minimum 12 inches (305mm) recommended to prevent condensation on window]
- D = vertical clearance to ventilated soffit located above the terminal within a horizontal distance of 24 inches (610mm) from the centre-line of the terminal [18 inches (458mm) minimum]
- E = clearance to unventilated soffit [12 inches (305mm) minimum].
- F = clearance to outside corner see next page
- G = clearance to inside corner see next page
- H = * not to be installed above a meter/regulator assembly within 36 inches (914mm) horizontally from the centre-line of the regulator

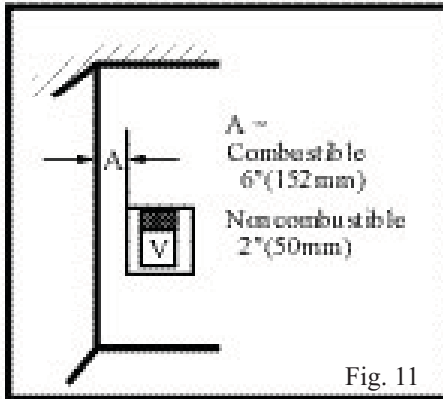
- I = clearance to service regulator vent outlet [*72 inches (1828mm) minimum]
- J = clearance to non-mechanical air supply inlet to building or the combustion air inlet to any other fireplace [*12 inches (305mm) minimum]
- K = clearance to a mechanical air supply inlet [* 72 inches (1828mm) minimum]
- L = † clearance above paved side-walk or a paved driveway located on public property [*84 inches (2133mm) minimum]
- M = clearance under veranda, porch, deck [*12 inches (305mm) minimum ‡]
- N = Clearance above a roof shall extend a minimum of 24" (610mm) above the highest point when it passes through the roof surface, and any other obstruction within a horizontal distance of 18" (450mm).

- † a vent shall not terminate directly above a side-walk or paved driveway which is located between two single family dwellings and serves both dwellings *
 - ‡ only permitted if veranda, porch, deck, is fully open on a minimum 2 sides beneath the floor *
 - * as specified in CAN/CGA B149 (.1 or .2) Installation Codes (1991) for Canada or for U.S.A. Installations follow the current National Fuel Gas Code, ANSI Z223.1.
- Note: Local codes or regulations may require different clearances.

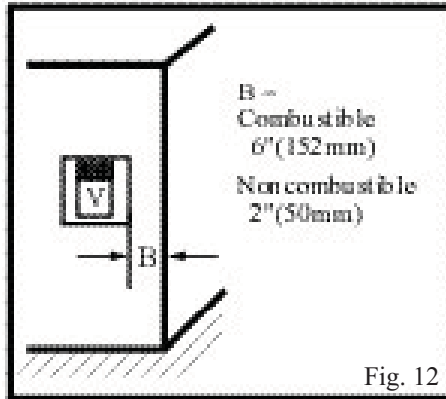
Termination Clearances

Termination clearances for buildings with combustible and noncombustible exteriors.

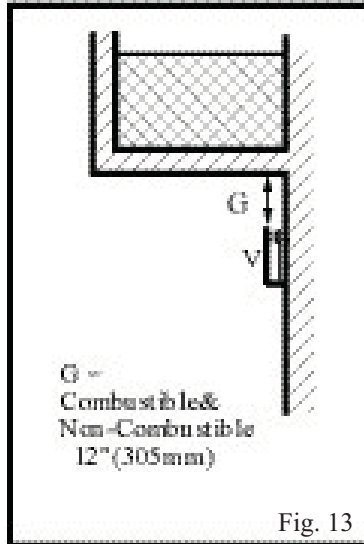
Inside Corner



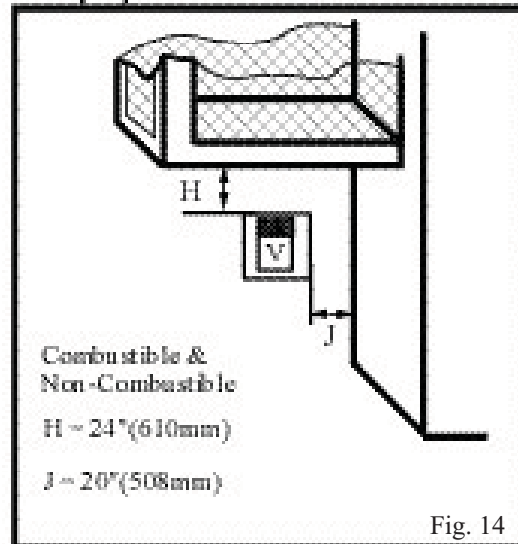
Outside Corner



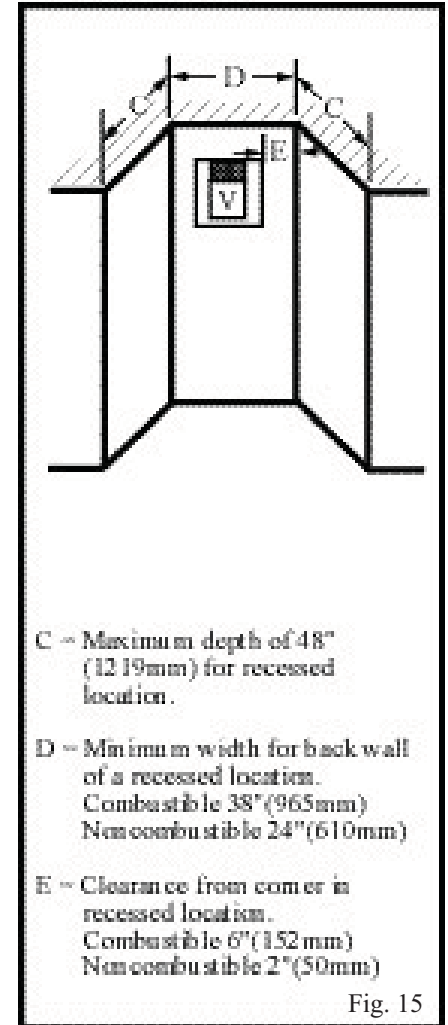
Balcony - with no side wall



Balcony - with perpendicular side wall



Recessed Location



GENERAL INFORMATION ON ASSEMBLING DV COMPONENTS

Crimped End Pipes

Before joining elbows and pipes apply a bead of high temperature sealant to the crimped end of the elbow or pipe.

Join the pipes using a 2" (50 mm) overlap and secure the joints with three sheet metal screws, Fig. 16. Wipe off excess sealant.

CANADIAN INSTALLATIONS:

The venting system must be installed in accordance with the current CAN/CGA-B149 (.1 or .2) installation code.

U.S.A. INSTALLATIONS:

The venting system must conform to local codes and/or the current National Fuel Code ANSI Z223.1.

Only venting components manufactured by CFM Majestic Inc. can be used in Direct Vent systems.

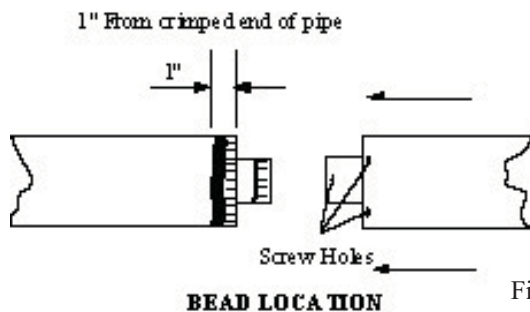


Fig. 16

Twist Lock Pipes

When using CFM Majestic Inc. Twist Lock pipe it is not necessary to use sealant on the joints.

The only areas of the venting system that need to be sealed with high temperature silicone sealant are the collars on the fireplace and termination, and the sliding joint of any telescopic vent section used in the system.

To join the twist lock pipes together, simply align the beads of the male end with the grooves of the female end, then while bringing the pipes together, twist the pipe until the flange on the female end contacts the external flange on the male end.

It is recommended that you secure the joints with three sheet metal screws however this is not mandatory with twist lock pipe.

To make it easier to assemble the joints we suggest putting a lubricant (Vaseline or similar) on the male end of the twist lock pipe prior to assembly.

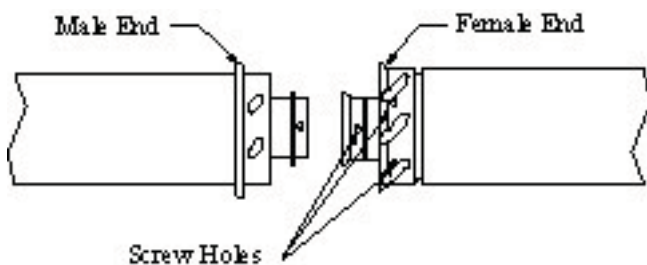


Fig. 17

HOW TO USE THE VENT GRAPH

The vent chart should be read in conjunction with the following vent installation instructions to determine the relationship of the vertical and horizontal dimensions of the vent system

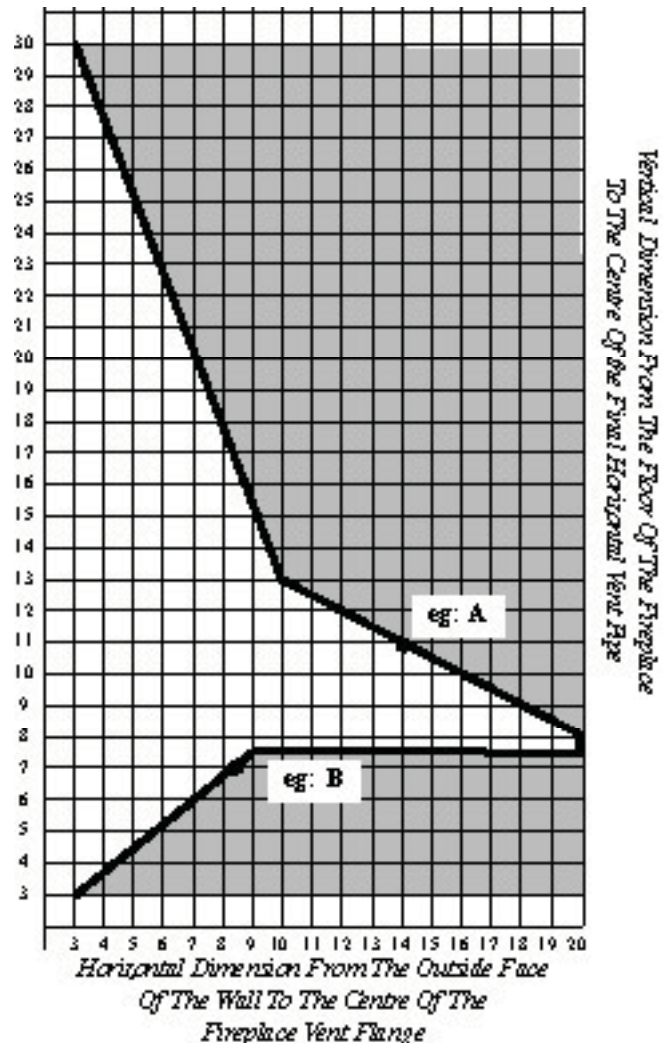
1. Determine the height of the centre of the horizontal vent pipe exiting through the outer wall. Using this dimension on the Sidewall Vent Graph below, locate the point it intersects with the slanted graph line.
2. From the point of this intersection, draw a vertical line to the bottom of the graph.
3. Select the indicated dimension, and position the fireplace in accordance with same.

EXAMPLE A:

If the vertical dimension from the floor of the fireplace is 11' (3.4 m) the horizontal run to the face of the outer wall must not exceed 14' (4.3 m).

EXAMPLE B:

If the vertical dimension from the floor of the fireplace is 7' (214cm), the horizontal run to the face of the outer wall must not exceed 8-1/2' (2.6 m).



Sidewall Vent Graph showing the relationship between vertical and horizontal dimensions for a Direct Vent flue system

NOTE: When a 90° elbow is installed directly to the top collar, the max. horizontal run is 3ft. (See Fig. 19).

VERTICAL SIDEWALL APPLICATIONS



Since it is very important that the venting system maintain its balance between the combustion air intake and the flue gas exhaust, certain limitations as to vent configurations apply and must be strictly adhered to.

The Vent Graph showing the relationship between vertical and horizontal side wall venting will help to determine the various dimensions allowable.



Minimum clearance between vent pipes and combustible materials is one 1" (25mm) on top, bottom and sides unless otherwise noted.

When vent termination exits through foundations less than 20" below siding outcrop, the vent pipe must flush up with the siding.

It is always best to locate the fireplace in such a way that minimizes the number of offsets and horizontal vent length. The horizontal vent run refers to the total length of vent pipe from the flue collar of the fireplace to the face of the outer wall.

Horizontal plane means no vertical rise exists on this portion of the vent assembly.

- The maximum number of 90° elbows per side wall installation is three (3).

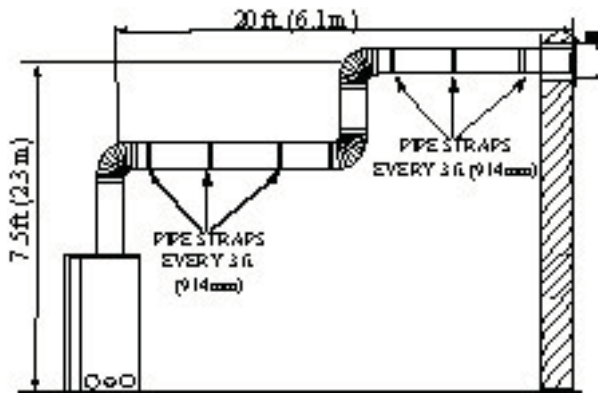


Fig. 18

- If a 90° elbow is fitted directly onto the fireplace flange the maximum horizontal vent run before the termination is 36" (914 mm).

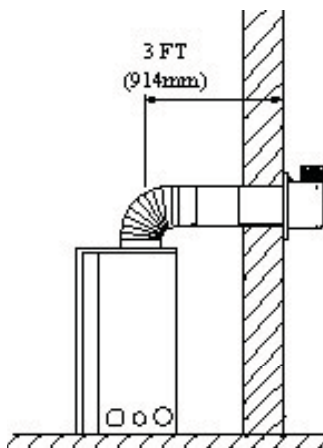


Fig. 19

- If a 90° elbow is used in the horizontal vent run (level height maintained) the maximum horizontal vent length is reduced by 36" (914 mm), (Fig. 20). This does not apply if the 90° elbows are used to increase or redirect a vertical rise (Fig. 21).

Example: According to the chart the maximum horizontal vent length in a system with a 7.5' vertical rise is 20' (6 m) and if a 90° elbow is required in the horizontal vent it must be reduced to 17' (5.2 m).

In Fig. 20 Dimension A plus B must not be greater than 17' (5.2 m).

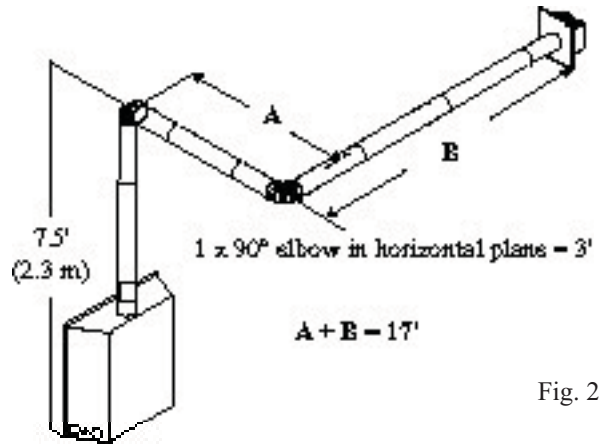


Fig. 20

- The maximum number of 45° elbows permitted per side wall installation is two (2). These elbows can be installed in either the vertical or horizontal run.
- For each 45° elbow installed in the horizontal run, the length of the horizontal run MUST be reduced by 18" (45cm). This does not apply if the 45° elbows are installed on the vertical part of the vent system.
- The maximum number of elbow degrees in a system is 270° (See Fig. 21).

Example: In Figure 21

Elbow 1	=	90°
Elbow 2	=	45°
Elbow 3	=	45°
Elbow 4	=	90°

Total angular variation	=	270°
-------------------------	---	------

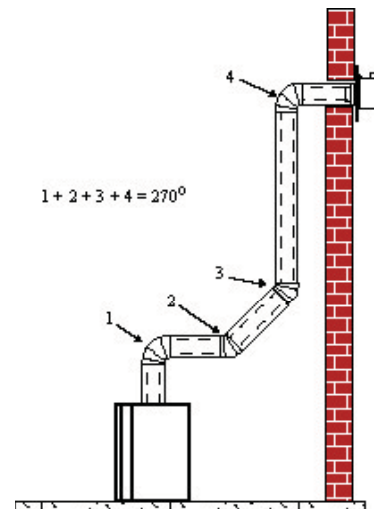


Fig. 21

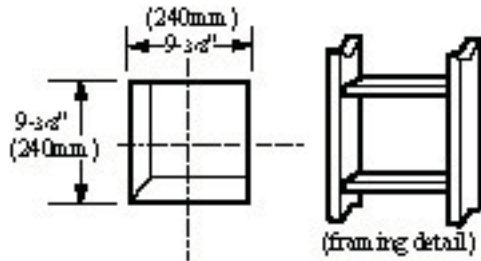
VERTICAL SIDEWALL INSTALLATIONS

STEP 1

Locate vent opening on the wall. It may be necessary to first position the fireplace and measure to obtain hole location. Depending on whether the wall is combustible or non-combustible, cut opening to size. (Fig. 22)

(For combustible walls first frame in opening. Fig. 22).

Vent Opening — Combustible Wall



Vent Opening — Noncombustible Wall

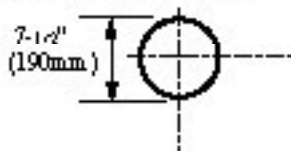


Fig. 22

COMBUSTIBLE WALLS : Cut a 9-3/8"H x 9-3/8"W (240 mm x 240 mm) hole through the exterior wall and frame as shown (Fig. 22).

NON-COMBUSTIBLE WALLS : Hole opening should be 7.5" (190 mm) in diameter.

STEP 2

Measure wall thickness and cut zero clearance sleeve parts to proper length (MAXIMUM 12" / 305 mm). Assemble sleeve and attach to firestop with #8 sheet metal screws (supplied). Install firestop assembly (Fig. 23).

Zero clearance sleeve is only required for combustible walls.

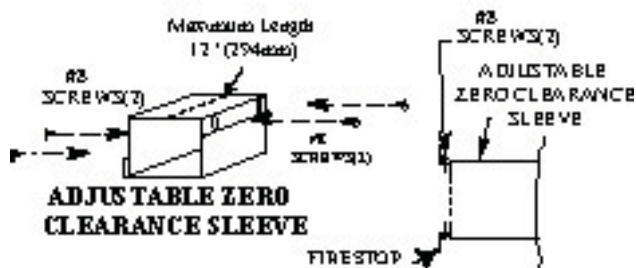


Fig. 23

STEP 3

Place fireplace into position. (Fig. 24). Measure the vertical height (X) required from the base of the flue collars to the centre of the wall opening.

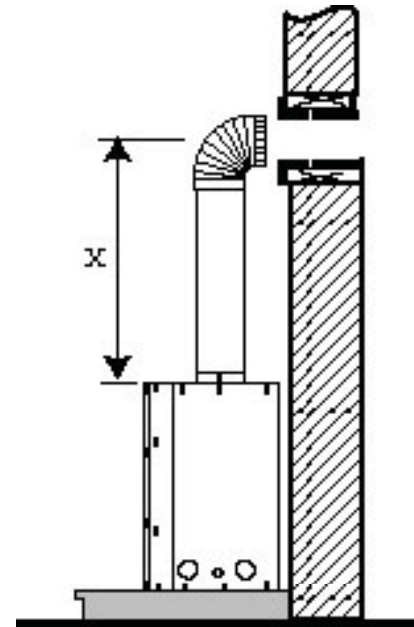


Fig. 24

STEP 4

Apply a bead of silicone to the inner and outer flue collars of the fireplace and using three (3) screws attach an appropriate length of vent to the fireplace. Follow with the installation of the inner and outer elbow, again secure joints as described in the section 'Joining DV Components'.

STEP 5

Measure the horizontal length requirement including a 2" (50 mm) overlap, i.e. from the elbow to the outside wall face plus 2" (50 mm) (or the distance required if installing a second 90° elbow. (Fig. 25).

Always install horizontal venting on a level plane.

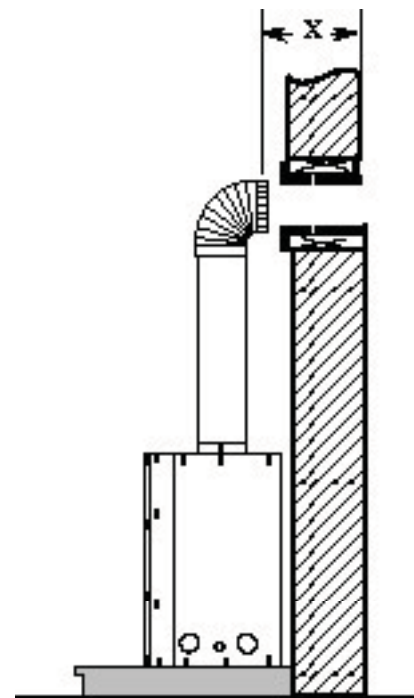


Fig. 25

STEP 6

Use appropriate length of pipe sections - telescopic or fixed - and install the horizontal vent sections. The sections which go through the wall are packaged with the starter kit, and can be cut to suit if necessary. (Fig. 26).

Sealing vent pipe and firestop gaps with high temperature sealant will restrict cold air being drawn in around fireplace.

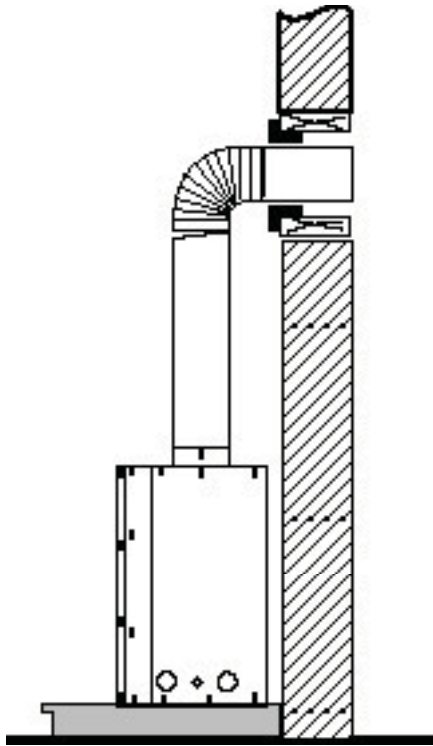


Fig. 26

STEP 7

Apply high temperature sealant to 4" (100 mm) and 7" (175 mm) collars or the termination one inch away from crimped end. Guide the vent terminations 4" and 7" collars into their respective vent pipes. Double check that the vent pipes overlap the collars by 2" (50 mm). Secure the termination to the wall with screws provided and caulk around the wall plate to weatherproof, Fig. 27. As an alternative to screwing the termination directly to the wall you may also use expanding plugs or an approved exterior construction adhesive. You may also attach the termination with screws through the inner body into the 4" vent pipe however for this method you must extend the 4" pipe approximately 6" (150 mm) beyond the outer face of the wall.

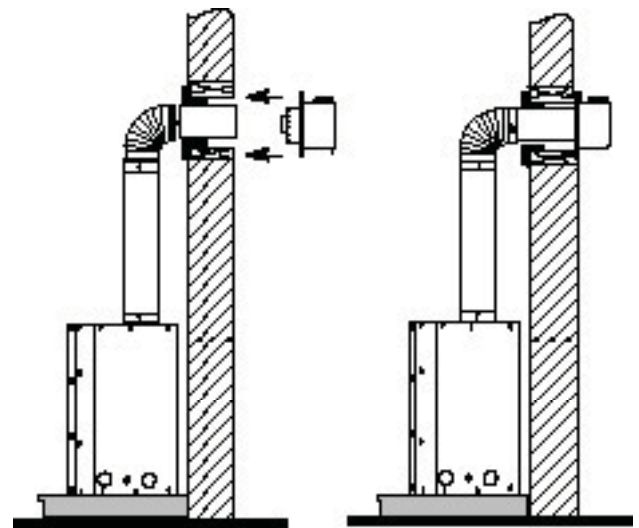


Fig. 27

Support horizontal pipes every 3' (91 cm) with metal pipe straps.



Check fireplace to make sure it is levelled and properly positioned.

BELOW GRADE INSTALLATIONS

When it is not possible to meet the required vent terminal clearances of 12" (305mm) above grade level a snorkel vent kit is recommended. It allows installation depth of down to 7" (178mm) below grade level. The 7" is measured from the centre of the horizontal vent pipe as it penetrates through the wall.

If venting system is installed below ground, we recommend a window well with adequate and proper drainage.

Ensure sidewall venting clearances are observed.

If installing a snorkel a minimum 24" vertical rise is necessary. The maximum horizontal run with the 24" vertical pipe is 36" (915mm). This measurement is taken from the collar of the fireplace (or transition elbow) to the face of the exterior wall. See the Sidewall Vent Graph for extended horizontal run if the vertical rise exceeds 24".

1. Establish vent hole through the wall (Fig. 22).
2. Remove soil to a depth of approximately 16" below base of snorkel. Install drain pipe. Install window well (not supplied). Refill hole with 12" of coarse gravel leaving a clearance of approximately 4" below snorkel. (Fig. 28)
3. Install vent system.
4. Ensure a watertight seal is made around the vent pipe coming through the wall.
5. Apply high temperature sealant caulking (supplied) around the 4" and 7" snorkel collars.
6. Slide the snorkel into the vent pipes and secure to the wall.
7. Level the soil so as to maintain a 4" clearance below snorkel. (Fig. 28)



DO NOT BACK FILL AROUND SNORKEL.
A CLEARANCE OF AT LEAST 4" MUST BE MAINTAINED BETWEEN THE SNORKEL AND THE SOIL

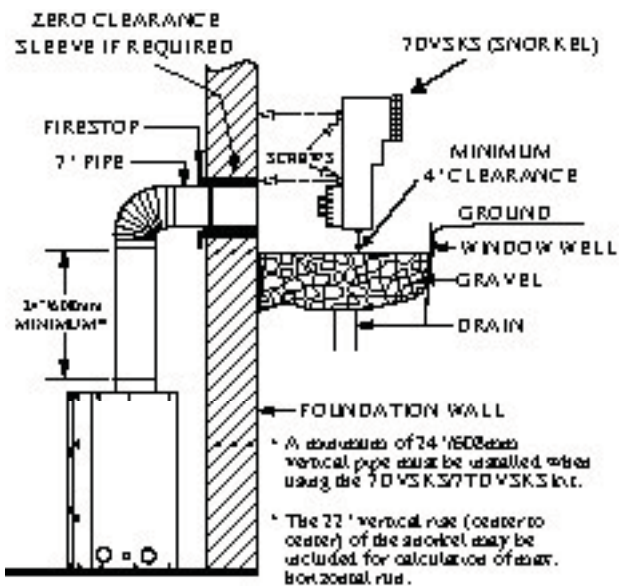


Fig. 28

If the foundation is recessed, use recess brackets (not supplied) for securing lower portion of the snorkel. Fasten brackets to wall first and then secure to snorkel with self-drilling #8 x 1/2 sheet metal screws. It will be necessary to extend the vent pipes out as far as the protruding wall face (Fig. 29).

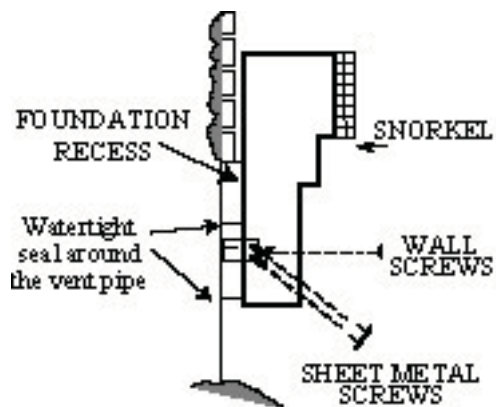


Fig. 29

VERTICAL THROUGH-THE-ROOF APPLICATIONS.

This Gas Fireplace has been approved for,

- Vertical installations up to 40' (12 m) in height. Up to a 10' horizontal vent run can be installed within the vent system using a maximum of two 90° elbows. (Fig. 30)

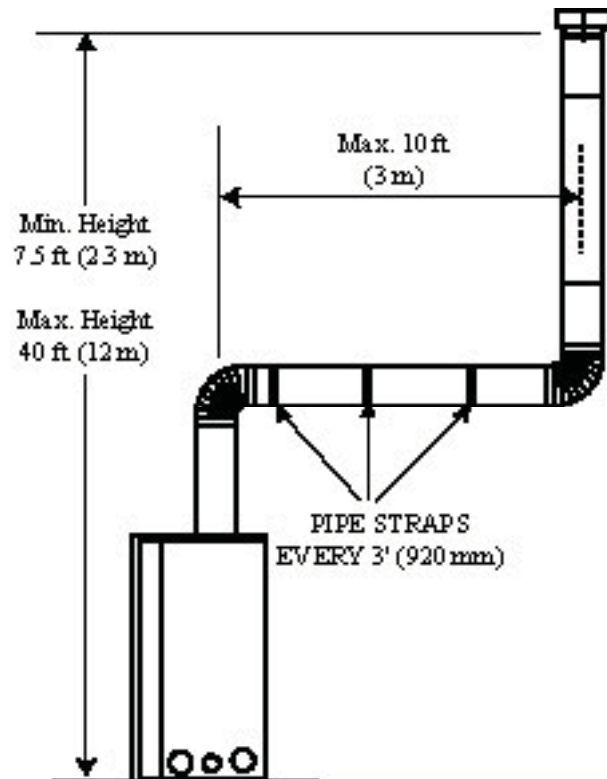


Fig. 30

- Up to two 45° elbows may be used within the horizontal run. For each 45° elbow used on the horizontal level the maximum horizontal length must be reduced by 18".
 Example: Maximum horizontal length

0 x	45° elbows	=	10'
1 x	45° elbow	=	8.5'
2 x	45° elbows	=	7'
- A minimum of an 8' vertical rise.
- Two sets of 45° elbow offsets within these vertical installations. From 0 to a maximum of 8' of vent pipe can be used between elbows. (Fig. 31)

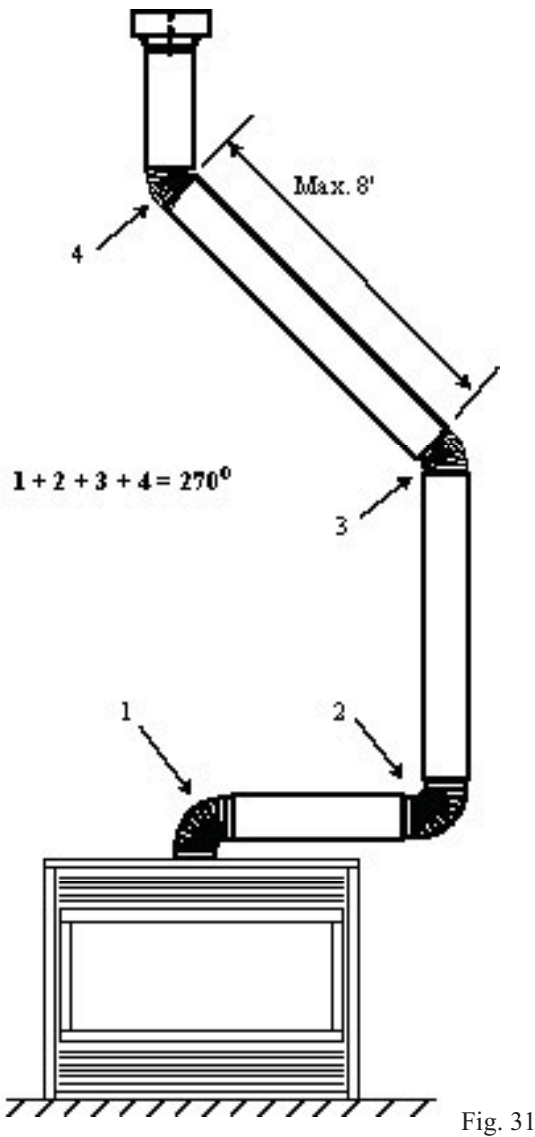


Fig. 31

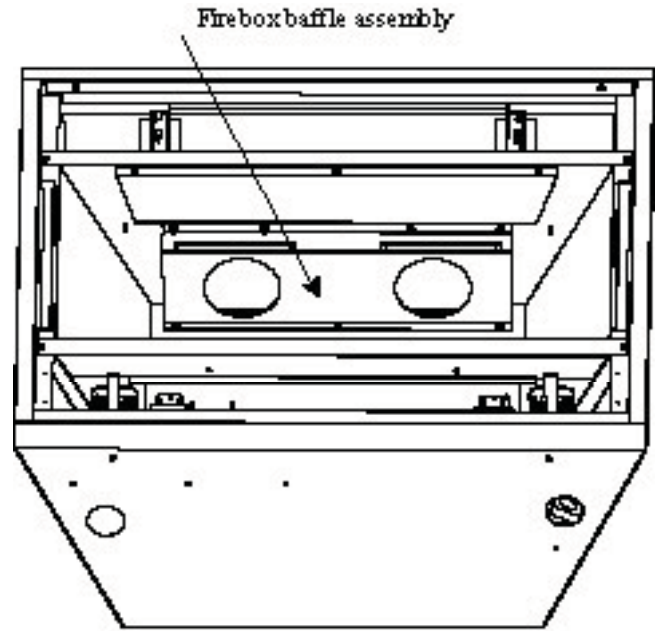
- 7DVCS must be used to support offsets. (Fig. 36) This application will require that you first determine the roof pitch and use the appropriate starter kit. (See Venting Components List)
- The minimum height of the vent above the highest point of penetration through the roof is 2'. See Fig. 38.

VERTICAL RESTRICTOR PLATE (DBT33 ONLY)

When installing the DBT33 with a Vertical Through-The-Roof configured flue system the restrictor plate, (#10002495) supplied with the appliance **MUST BE FITTED TO THE APPLIANCE** at installation.

Fitting The Restrictor Plate

1. Remove the window glass/frame assembly.
2. Locate the firebox baffle assembly in the top rear area of the firebox, Fig. 32.
3. Remove the four (4) nuts along the front edge, and the three (3) screws along the rear edge of the baffle assembly. Remove the baffle assembly from the firebox.



Appliance view from lower front Fig. 32

4. Remove the two (2) screws from the top face of the baffle assembly, Fig. 32. Place the restrictor plate as shown in Fig. 34 and secure by refitting the screws.

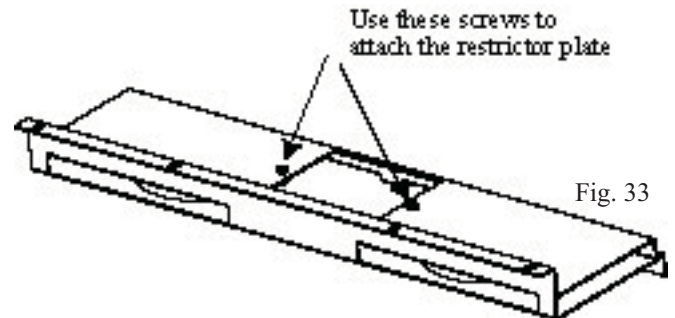


Fig. 33

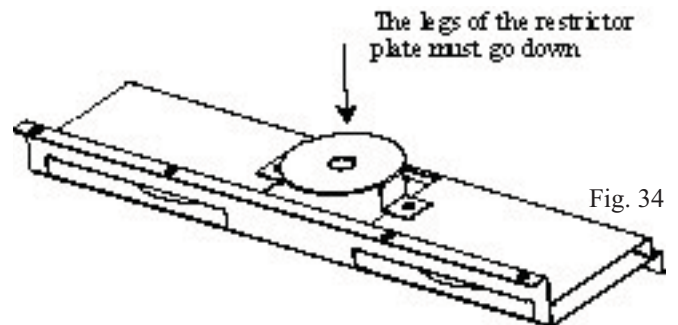


Fig. 34

5. Refit the baffle assembly to the firebox, replacing the three (3) screws and four (4) nuts.
6. Refit window glass/frame as per the appropriate sections of this manual.

VERTICAL THROUGH-THE-ROOF INSTALLATION

1. Locate your fireplace.
2. Plumb to centre of the (4") flue collar from ceiling above and mark position.
3. Cut opening equal to 9-3/8" x 9-3/8" (240 mm x 240 mm).
4. Proceed to plumb for additional openings through the roof. In all cases, the opening must provide a minimum of 1 inch clearance to the vent pipe, i.e., the hole must be at least 9-3/8" x 9-3/8" (240 mm x 240 mm).
5. Place fireplace into position.
6. Place firestop(s) #7DVFS or Attic Insulation Shield #7DVAIS into position and secure. (Fig. 35)

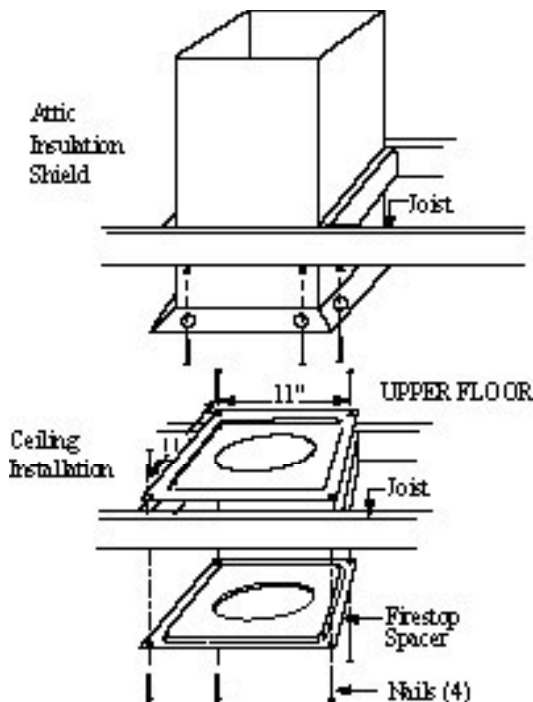


Fig. 35

7. Install roof support (Fig. 36) and roof flashing making sure upper flange of flashing is below the shingles. Fig. 37.
8. Install appropriate pipe sections until the venting is above the flashing. (See Fig. 37).

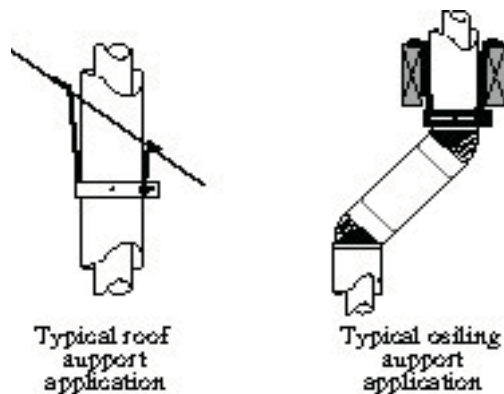


Fig. 36

9. Install storm collar and seal around the pipe.
10. Add additional vent lengths for proper height. Fig. 38.
11. Apply high temperature sealant to 4" and 7" collars of vertical vent termination and install.

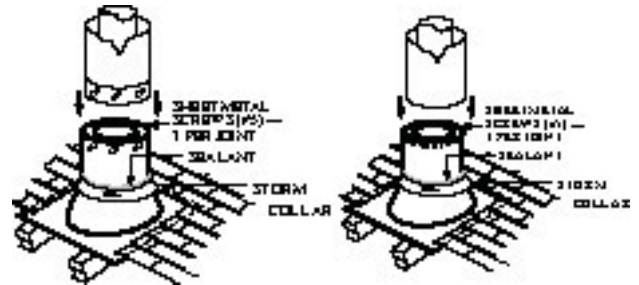


Fig. 37

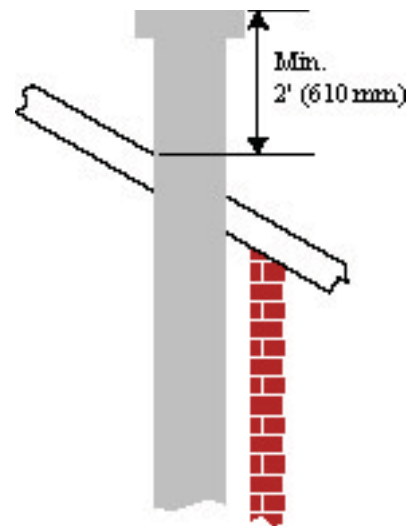


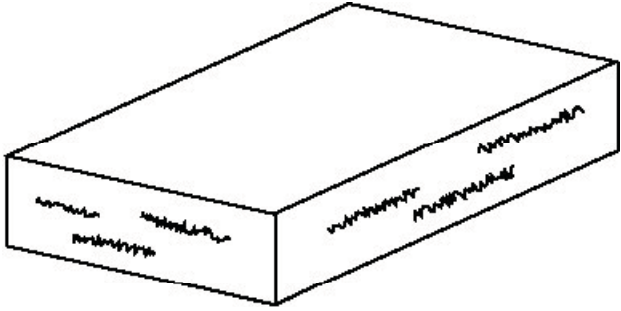
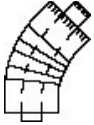
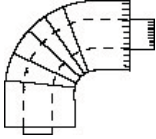
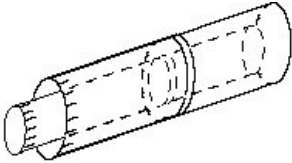
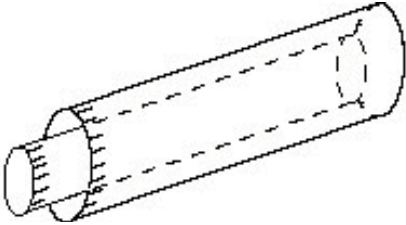
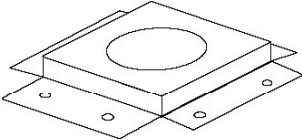
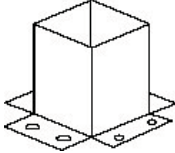
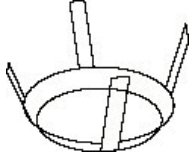
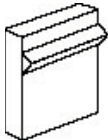
Fig. 38

If there is a room above ceiling level, firestop spacer must be installed on both the bottom and the top side of the ceiling joists. If an attic is above ceiling level a 7DVAIS (Attic Insulation Shield) must be installed.

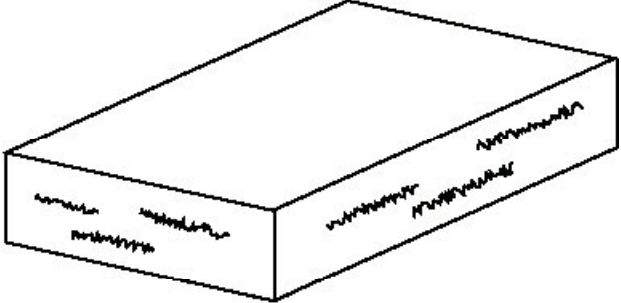

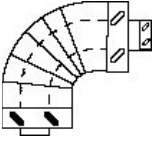
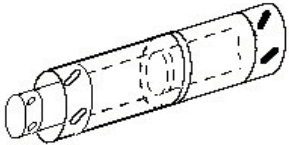
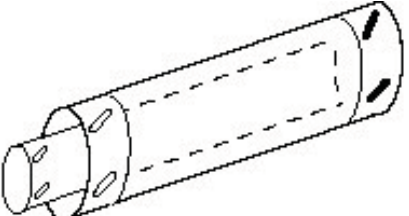
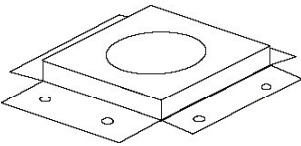
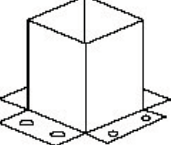
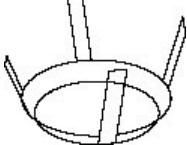
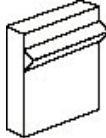


The enlarged ends of the vent section always face downward, Fig. 37.

CRIMPED END VENTING COMPONENTS

	<p>Starter Kit -Model 7DVSK - Sidewall Venting</p> <p>Starter Kit - Model 7TDVSKV - Vertical Venting for 7TDVSKV-A order 1/12 to 6/12 roof pitch for 7TDVSKV-B order 7/12 to 12/12 roof pitch for 7TDVSKV-F order flat roof</p> <p>Starter Kit - Model 7DVSKS -Snorkel Kit for Below Grade Installation</p>
	<p>45° elbow kit 7DVT45 for Vertical Installation Offsets</p>
	<p>90° transition elbow kit 7DVRT90 for Vertical Sidewall Applications or thru-the-roof.</p>
	<p>Telescopic vent sections</p> <ul style="list-style-type: none"> 7DVP610 - 6" to 10" adjustable length 7DVP1018 - 10" to 18" adjustable length 7DVP1834 - 18" to 34" adjustable length 7DVP3466 - 34" to 66" adjustable length
	<p>Pipe sections for vertical or horizontal venting</p> <ul style="list-style-type: none"> Model 7DVP8" - 4 per box Model 7DVP12" - 4 per box Model 7DVP24" - 4 per box Model 7DVP36" Model 7DVP48"
	<p>Firestop Spacer Model 7DVFS</p>
	<p>Attic Insulation Shield Model 7DVAIS</p>
	<p>Vertical/Horizontal Combination Offset Support Model 7DVCS</p>
	<p>7DVSS Siding Shield (to protect siding)</p>

TWIST LOCK VENTING COMPONENTS

	<p>Starter Kit -Model 7TDVSK - Sidewall Venting</p> <p>Starter Kit - Model 7TDVSKV - Vertical Venting for 7TDVSKV-A order 1/12 to 6/12 roof pitch for 7TDVSKV-B order 7/12 to 12/12 roof pitch for 7TDVSKV-F order flat roof</p> <p>Starter Kit - Model 7TDVSKS -Snorkel Kit for Below Grade Installation</p>
	<p>45° elbow kit 7TDV45 for Vertical Installation Offsets</p>
	<p>90° transition elbow kit 7TDV90 for Vertical Sidewall Applications or thru-the-roof.</p>
	<p>Telescopic vent sections 7TDVP1218 - 12" to 18" adjustable length 7TDVP3564 - 35" to 64" adjustable length</p>
	<p>Pipe sections for vertical or horizontal venting Model 7TDVP8" Model 7TDVP12" Model 7TDVP24" Model 7TDVP36" Model 7TDVP48"</p>
	<p>Firestop Spacer Model 7DVFS</p>
	<p>Attic Insulation Shield Model 7DVAIS</p>
	<p>Vertical/Horizontal Combination Offset Support Model 7DVCS</p>
	<p>7DVSS Siding Shield (to protect siding)</p>

GENERAL OPERATING INSTRUCTIONS

GLASS INFORMATION



Only glass approved by CFM Majestic Inc. should be used on this fireplace.

- The use of any non-approved replacement glass will void all product warranties.
- Care must be taken to avoid breakage of the glass.
- Under no circumstances should this appliance be operated without the front glass in place, or with the glass in a damaged condition.
- Replacement glass (complete with gasket) is available your dealer and should only be installed by a licensed qualified service person.

GENERAL MAINTENANCE

Burner and Burner Compartment

It is important to keep the burner and the burner compartment clean. At least once per year the logs and lava rock/ember material should be removed and the burner compartment vacuumed and wiped out. Remove and refit the logs as per the instructions in this manual.

Always handle the logs with care as they are fragile and may also be hot if the fireplace has been in use.

FK24/FK12 Fan Assembly

The fan unit requires periodic cleaning. At least once per month in the operating season open the lower louvre panels and wipe or vacuum the area around the fan to remove any build up of dust or lint.

Brass Trim

Clean the brass trim pieces using a soft cloth lightly dampened with lemon oil. Do not use water or household cleaners on any brass components.

LOUVRE REMOVAL

The top louvre panel is removed by lifting the panel vertically and pulling it away from the appliance, Fig. 39.

The lower access door is hinged along the bottom edge and is folded down to allow access.

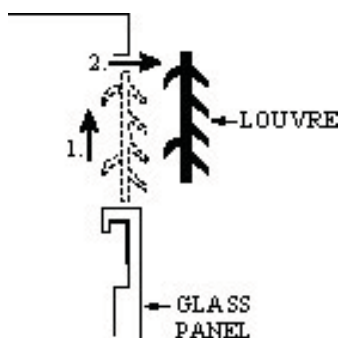


Fig. 39

GLASS / FRAME REMOVAL

1. Turn the fireplace OFF (including the pilot).
2. If the unit has been operating allow time for the components to cool.
3. Remove the top louvre assembly.
4. Open the lower louvre panel.
5. Release the two clamps securing the lower edge of the frame by pulling down on the handles, Fig. 40.
6. Tilt the glass frame out slightly at the bottom, lift the frame up and away from the fireplace.
7. To replace the glass frame reverse the procedure.

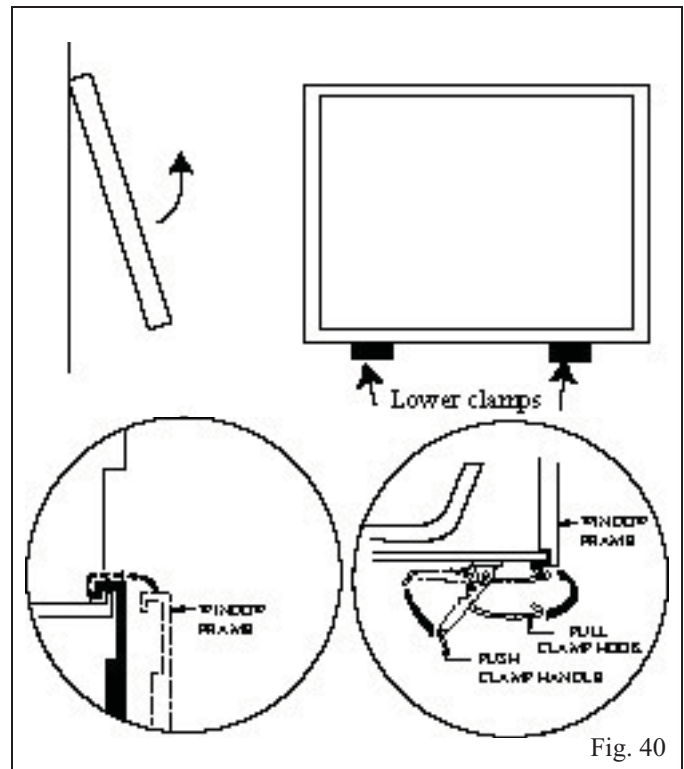


Fig. 40

GLASS CLEANING

It is necessary to periodically clean the glass.

During start-up condensation, which is normal, forms on the inside of the glass. This condensation causes lint, dust and other airborne particles to cling to the glass surface.

Also initial paint curing may deposit a slight film on the glass.

It is therefore recommended that the glass be cleaned two or three times with a non-ammonia based household cleaner and warm water (we recommend gas fireplace glass cleaner) within the first few weeks of operation.

After this initial cleaning process the glass should be cleaned two or three times during each operating season depending on the environment in the house.



Clean the glass after the first two weeks of operation.

INSTALLATION OF LOGS & LAVA ROCK

Refer to the log identification chart to identify specific log numbers.

1. Remove the front glass / frame assembly.
2. Remove the logs from their packaging.



The logs are fragile and should be handled with care.

Keep the packaging material out of the reach of children and dispose of the material in a safe manner

3. Place the rear log (see chart for identification number) in the rear support channel. The flat face should be flat against the rear of the firebox and the log should be central in the channel.
4. Align the holes in the base of the left front log with the studs on the left support bracket located over the burner housing and place the log in position.
5. Align the holes in the base of the right front log with the studs on the right support bracket located over the burner housing and place the log in position.
6. Place the left top log in position by aligning the hole on the underside of the log with the lug on the top face of the rear log. The front end of the log rests in the cut-out on the left front log.
7. Place the right top log in position by aligning the hole on the underside of the log with the lug on the top face of the rear log. The front end of the log rests in the cut-out on the right front log.
8. Scatter the ember material over the burner housing in front of the 2 front logs. Do not pack this material tightly, separate it when unpacked and keep it in a loose condition.
9. Scatter the lava rock material around the firebox base.



Do not place any of the lava rock material on the burner housing.

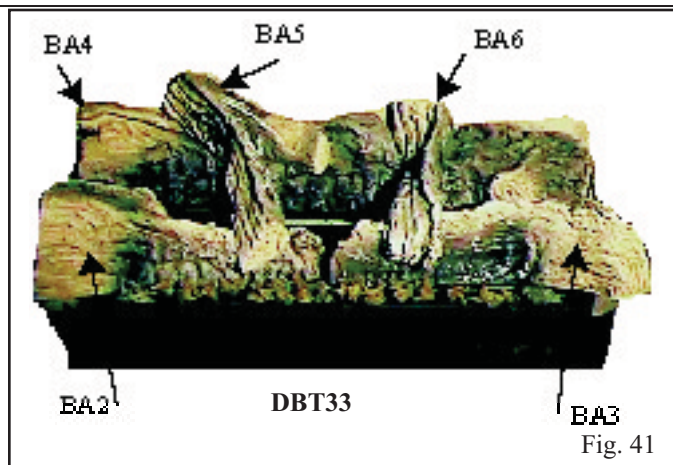


Fig. 41

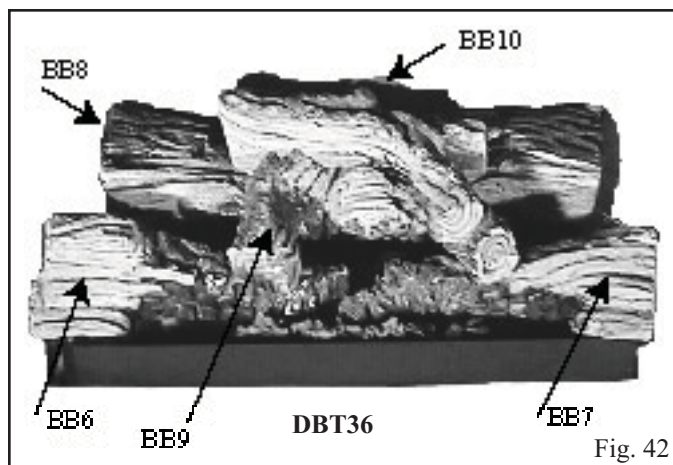


Fig. 42

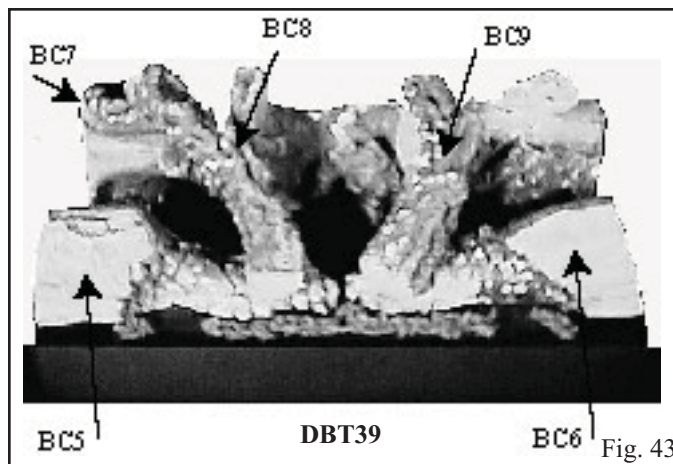


Fig. 43

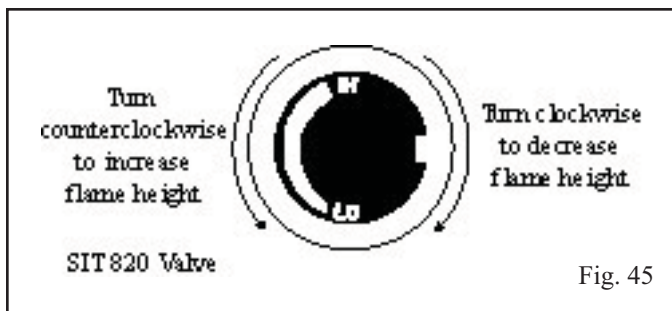
Log Identification Chart

Location	DBT33	DBT36	DBT39
Front left	BA2	BB6	BC5
Front right	BA3	BB7	BC6
Rear	BA4	BB8	BC7
Top left	BA5	BB9	BC8
Top right	BA6	BB10	BC9

FLAME & TEMPERATURE ADJUSTMENT

RN/RP & EN/EP Models

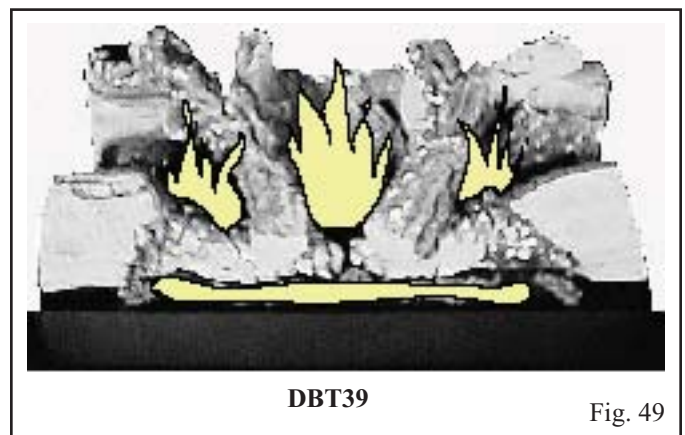
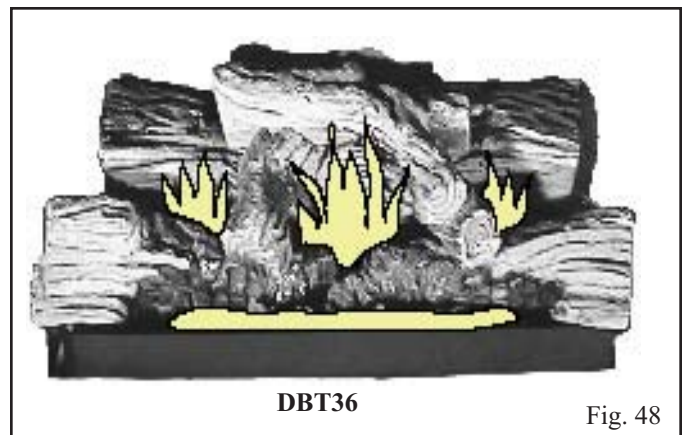
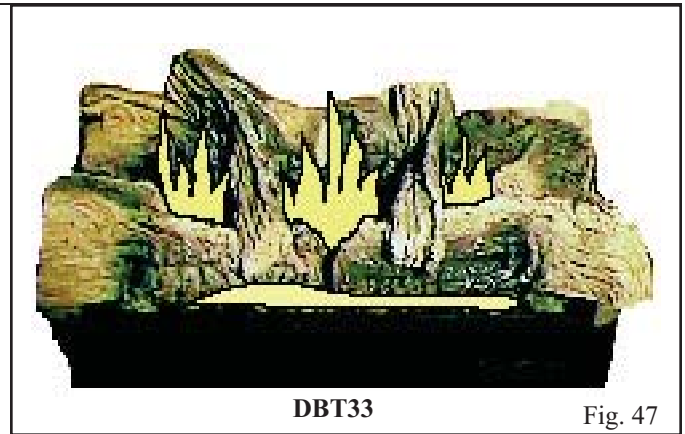
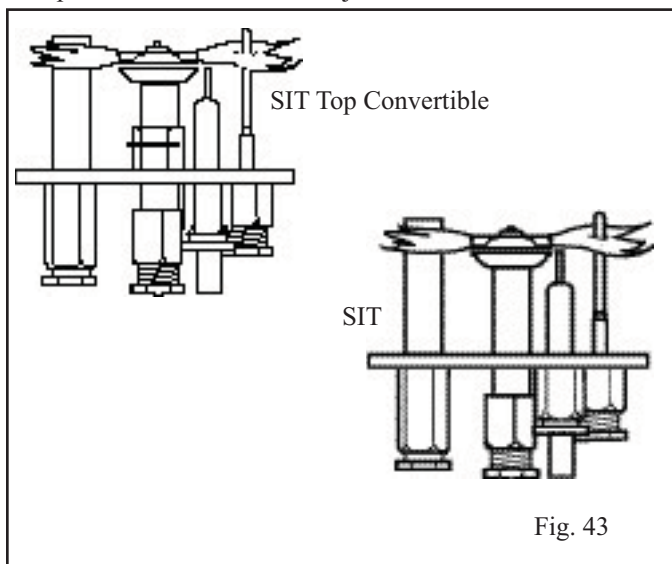
For units equipped with 'HI/LO' valves the flame adjustment is accomplished by rotating the 'HI/LO' adjustment knob located near the centre of the gas control valve, Fig. 44 & 45



FLAME CHARACTERISTICS

It is important to periodically perform a visual check of the pilot and burner flames. Compare them to the pictorials illustrated below, Figs. 43 - 49.

If the flame patterns appear abnormal contact a qualified service provider for service and adjustment.



LIGHTING AND OPERATING INSTRUCTIONS

FOR YOUR SAFETY READ BEFORE LIGHTING

WARNING: If you do not follow these instructions exactly, a fire or explosion may result causing property damage, personal injury or loss of life.

- A. This fireplace has a pilot which must be lit manually.
When lighting the pilot follow these instructions exactly.
- B. BEFORE LIGHTING smell all around the fireplace area for gas. Be sure to smell next to the floor because some gas is heavier than air and will settle on the floor.

WHAT TO DO IF YOU SMELL GAS

- Do not try to light any fireplace.
- Do not touch any electric switch
- Do not use any phone in your building
- Immediately call your gas supplier from a

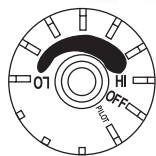
neighbour's phone. Follow the gas supplier's instructions.

•If you cannot reach your gas supplier, call the Fire Department

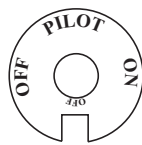
- C. Use only your hand to push in or turn the gas control knob. Never use tools. If the knob will not push in or turn by hand, do not try to repair it, call a qualified service technician. Applying force or any attempted repair may result in a fire or explosion.
- D. Do not use this fireplace if any part has been under water. Immediately call a qualified service technician to inspect the fireplace and to replace any part of the control system and any gas control which has been under water.

LIGHTING INSTRUCTIONS

1. STOP! Read the safety information above on this page.
2. Turn off all electrical power to the fireplace.
3. For MN/MP/TN/TP appliances ONLY, go on to Step 4. For RN/RP appliances turn the On/Off switch to "OFF" position or set thermostat to lowest level.
4. Open control access panel.
5. Push in gas control knob slightly and turn clockwise to "OFF". Do not force.



EURO SIT



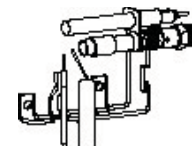
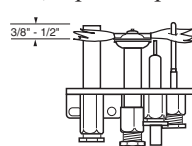
SIT NOVA



HONEYWELL

6. Wait five (5) minutes to clear out any gas. Then smell for gas, including near the floor. If you smell gas, STOP! Follow "B" in the safety information above on this page. If you don't smell gas, go to the next step.
7. Remove glass door before lighting pilot. (See Glass Frame Removal in manual).
8. Visibly locate pilot by the main burner.
9. Turn knob on gas control counter clockwise to "PILOT".

10. Push the control knob all the way in and hold. Immediately light the pilot by repeatedly depressing the piezo spark ignitor until a flame appears. Continue to hold the control knob in for about one (1) minute after the pilot is lit. Release knob and it will pop back up. Pilot should remain lit. If it goes out, repeat steps 5 through 8.



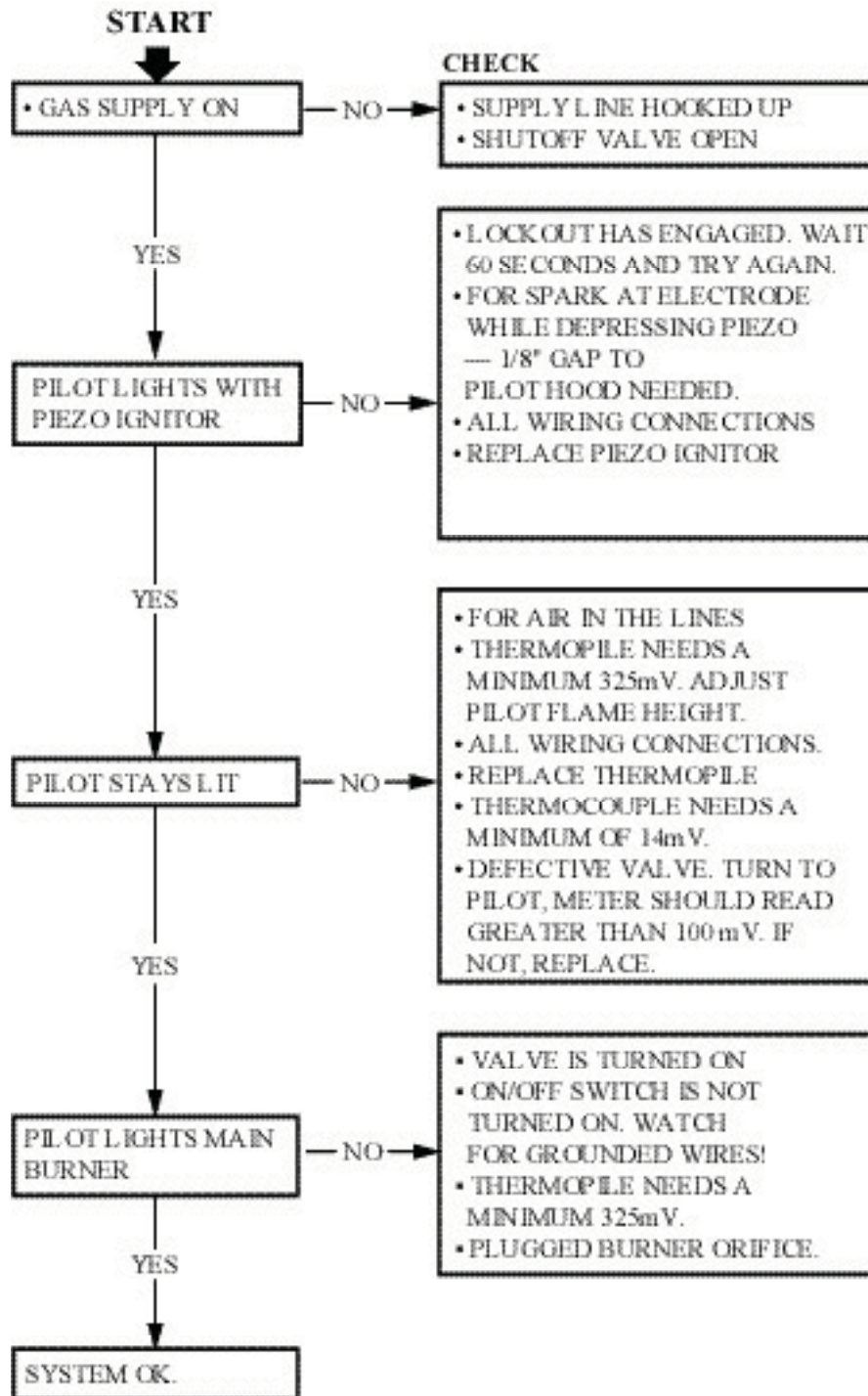
- If knob does not pop up when released, stop and immediately call your service technician or gas supplier.
 - If after several tries, the pilot will not stay lit, turn the gas control knob to "OFF" and call your service technician or gas supplier.
11. Replace glass door.
 12. Turn gas control knob to "ON" position.
 13. For RN/RP appliances turn the On/Off switch to "ON" position or set thermostat to desired setting.
 14. Turn on all electrical power to the fireplace.

TO TURN OFF GAS TO FIREPLACE

1. Turn the On/Off switch to "OFF" position or set the thermostat to lowest setting.
2. Turn off all electric power to the fireplace if service is to be performed.
3. Open control access panel.
4. Push in gas control knob slightly and turn clockwise to "OFF". Do not force.
5. Close control access panel.

TROUBLE SHOOTING THE GAS CONTROL SYSTEM

HONEYWELL MILLIVOLT VALVE



TROUBLE SHOOTING THE GAS CONTROL SYSTEM

SIT NOVA 820 MILLIVOLT VALVE

Note: Before trouble shooting the gas control system, be sure external gas shut off is in the "On" position.

WARNING: BEFORE DOING ANY GAS CONTROL SERVICE WORK, REMOVE GLASS FRONT.

SYMPTOM	POSSIBLE CAUSES	CORRECTIVE ACTION
1. Spark ignitor will not light	A. Defective or misaligned electrode at pilot.	Using a match, light pilot. If pilot lights, turn off pilot and push the red button again. If pilot will not light - check gap at electrode and pilot-should be 1/8" to have a strong spark.
	B. Defective ignitor (Push Button)	Push Piezo Ignitor Button. Check for spark at electrode and pilot. If no spark to pilot, and electrode wire is properly connected, replace ignitor.
2. Pilot will not stay lit after carefully following lighting instructions.	A. Defective pilot generator (thermocouple), remote wall switch.	1. Check pilot flame. Must impinge on thermocouple/thermopile. Note: this pilot burner assembly utilizes both a thermocouple and a thermopile. The thermocouple operates the main valve operation (On and Off). Clean and or adjust pilot for maximum flame impingement on thermopile and thermocouple.
	B. Defective automatic valve	Turn valve knob to "Pilot". Maintain flow to pilot; millivolt meter should read greater than 10 mV. If the reading is okay and the pilot does not stay on, replace the gas valve. Note: An interrupter block (not supplied) must be used to conduct this test.
3. Pilot burning, no gas to main burner	A. Wall switch or wires defective	Check wall switch and wires for proper connections. Jumper wire across terminals at wall switch, if burner comes on, replace defective wall switch. If okay, jumper wires across wall switch wires at valve, if burner comes on, wires are faulty or connections are bad.
	B. Thermopile may not be generating sufficient millivoltage.	1. Be sure wire connections from thermopile at gas valve terminals are tight and thermopile is fully inserted into pilot bracket. 2. One of the wall switch wires may be grounded. Remove wall switch wires from valve terminals if pilot now stays lit, trace wall switch wiring for ground. May be grounded to fireplace or gas supply. 3. Check thermopile with millivolt meter. Take reading at thermopile terminals of gas valve. Should read 250-300 millivolts (minimum 150) while holding valve knob depressed in pilot position and wall switch "Off". Replace faulty thermopile if reading is below specified minimum
	C. Plugged burner orifice.	Check burner orifices for debris and remove.
	D. Defective automatic valve operator.	Turn valve knob to "On", place wall switch to "On" millivolt meter should read greater than 100 mV. If the reading is okay and the burner does not come on, replace the gas valve.
4. Frequent pilot outage problem.	A. Pilot flame may be too low or blowing (high) causing the pilot safety to drop out.	Clean and/or adjust pilot flame for maximum flame impingement on thermopile and thermocouple.
	B. Possible blockage of the vent terminal.	Check the vent terminal for blockage (recycling the flue gases)

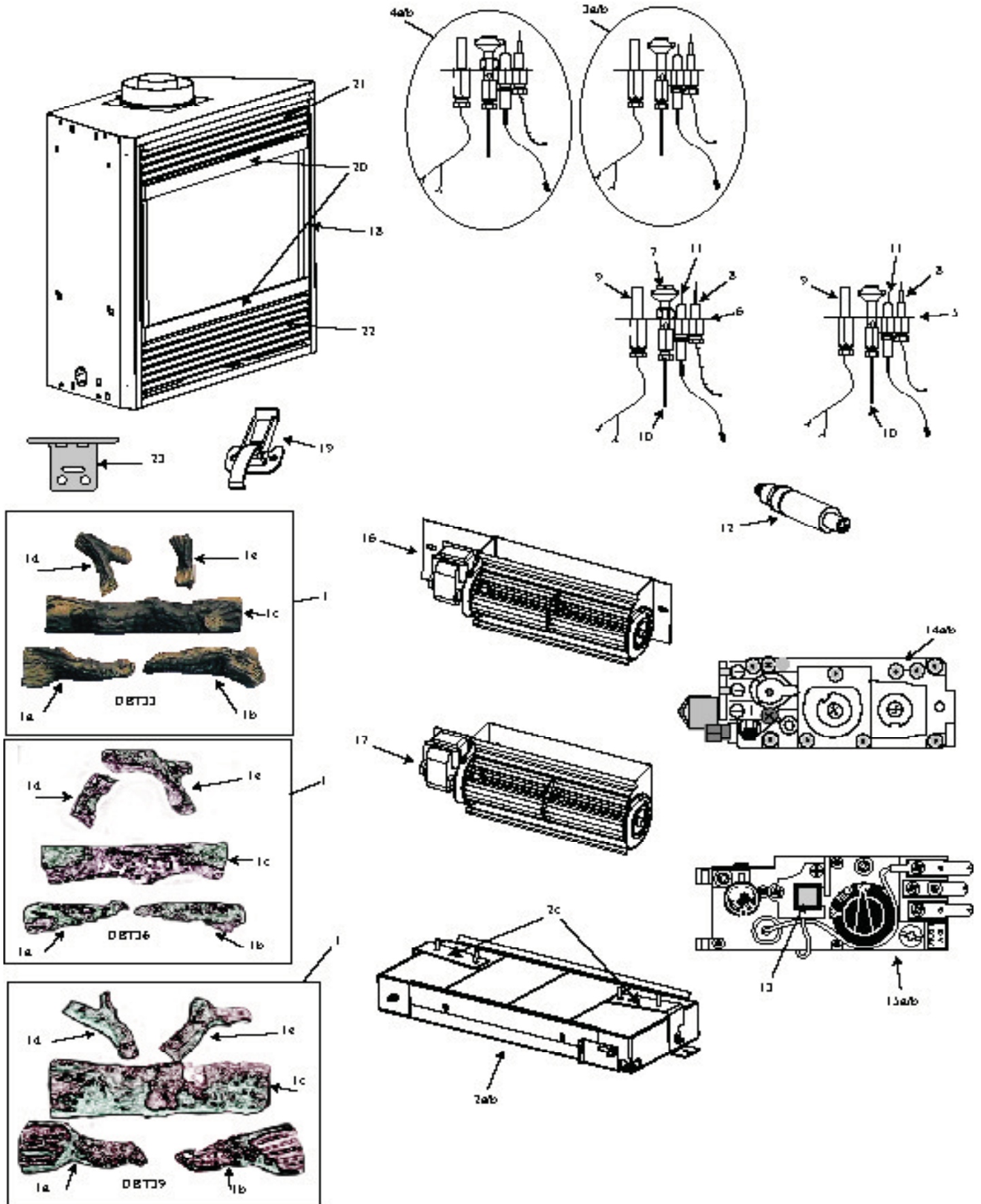
REPLACEMENT PARTS LIST

Items marked “*” are not shown in the following parts pictorial page.

Ref.	Description	DBT33	DBT36	DBT39
1	Log Set (complete)	10000470	10000023	10000024
1a	Log - Front left	BA2	BB6	BC5
1b	Log - Front right	BA3	BB7	BC6
1c	Log - rear	BA4	BB8	BC7
1d	Log - Top left	BA5	BB9	BC8
1e	Log - Top right	BA6	BB10	BC9
*	Lava rock package	10001454	10001454	10001454
*	Ember material	51915	51915	51915
2a	Burner housing with tiles, Nat. (Includes 2c)	10002407	10000031	10000033
2b	Burner housing with tiles, Prop. (Includes 2c)	10002407	10000032	10000034
2c	log support bracket - each	10002942	10002942	10002942
*	Ceramic tile, single	57803	57803	57803
*	Orifice, burner, Nat and Prop.	See the rating plate for orifice specifications		
3a	Pilot assembly, SIT RN	N/A	10000674	10000674
3b	Pilot assembly, SIT RP	N/A	10000675	10000675
4a	Pilot assembly, SIT Top Convertible RN	10002264	N/A	N/A
4b	Pilot assembly, SIT Top convertible RP	10002265	N/A	N/A
5	Pilot, SIT	N/A	10001295	10001295
6	Pilot,, SIT Top convertible	10002266	N/A	N/A
*	Pilot orifice, SIT Nat.	N/A	54273	54273
*	Pilot orifice, SIT Prop.	N/A	54272	54272
*	Pilot orifice, SIT Top convertible Nat.	10002268	N/A	N/A
*	Pilot orifice, SIT Top convertible Prop.	10002269	N/A	N/A
7	Pilot hood, SIT Top convertible	10002385	N/A	N/A
8	Thermocouple, RN & RP	53373	53373	53373
9	Thermopile, RN & RP	51827	51827	51827
10	Pilot tube (with fittings)	10001296	10001296	10001296
*	Manifold tube (with fittings)	57318	57318	57318
11	Electrode igniter SIT (with cable), RN & RP	10001297	10001297	10001297
12	Piezo igniter, SIT 820 Valve	52464	52464	52464
13	Piezo igniter, Honeywell Valve	20000062	N/A	N/A
14a	Gas Valve SIT820 RN	52677	52677	52677
14b	Gas Valve SIT820 RP	52678	52678	52678
15a	Gas Valve Honeywell RN	10001782	N/A	N/A
15b	Gas Valve, Honeywell RP	10001759	N/A	N/A
16	Fan assembly (with bracket) (FK24 option)	54103	54103	54103
*	Electrical cord, (FK24 option).	51865	51865	51865
*	Fan temperature sensor, (FK24 option)	51704	51704	51704
*	Fan speed control, (FK24 option)	51738	51738	51738

Ref.	Description	DBT33	DBT36	DBT39	
*	Knob, fan speed control, (FK24 option)	51882	51882	51882	
17	Fan assembly, with bracket (FK12 option)	ZA1110	ZA1110	ZA1110	
18	Window frame assembly	10001803	10001425	54363	
*	Window glass (with gasket)	10002822	10001781	10002821	
*	Gasket (window glass)	57317	57317	57317	
19	Clamp, window frame assembly	54174	54174	54174	
20	Window trim, polished brass (with magnets)	55005	57480	57483	
21	Top louvre assembly	10000292	10000037	10000039	
22	Bottom Louvre assembly	10000293	10000038	10000040	
23	Hinge (bottom louvre assembly)	52356	52356	52356	
*	Restrictor plate	10002495	N/A	N/A	
*	Remote ON/OFF switch	51842	51842	51842	
*	Remote switch kit (switch, wire & bracket)	53875	53875	53875	

PARTS PICTORIAL



OPTIONAL ACCESSORIES AVAILABLE

EB-1 ELECTRICAL BOX

The EB-1 Electrical junction box when fitted and correctly wired gives an easy and convenient power outlet for the optional fan kit.



If the EB-1 electrical junction box is being fitted the fireplace must be electrically connected and grounded in accordance with local codes or, in the absence of local codes, with the current CSA C22.1 Canadian Electric Code.



For U.S.A. installations follow the local codes and the national electrical code ANSI/NFPA No 70.



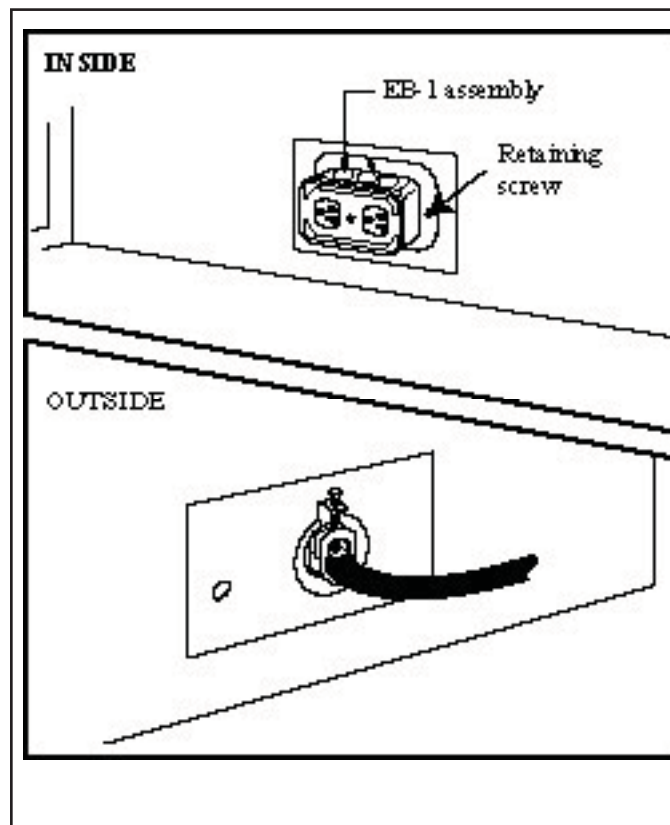
It is strongly recommended that the wiring of the EB-1 Electrical Junction Box be carried out by a licensed electrician.



Ensure that the power to the supply line has been disconnected before commencing this procedure.

To install and connect the EB-1 box to the house electrical supply follow the steps below.

1. Disconnect the power to the electrical supply line.
2. Remove the cover plate over the EB-1 knock-out the side of the appliance, retain the screw that held the plate.
3. Remove the front cover of the EB-1 box.
4. Remove the plug socket assembly from the EB-1 box.
5. Feed the electrical supply line in through the EB-1 opening in the side of the appliance and then through the back of the EB-1 assembly, Fig ???.
6. Connect the ground wire of the supply line to the green screw of the socket assembly.
7. Connect the white wire of the power line to the chrome screw of the socket assembly.
8. Connect the black wire of the power supply line to the brass screw (polarized) of the socket assembly.
9. Refit the socket assembly back into the electrical box and replace the front cover plate. Secure the cable with the clamp on the outside of the EB-1 base plate and refit the EB-1 assembly to the appliance with the screw removed in step 1.



FAN KITS

FK24 Fan Assembly

This auxiliary fan system increases the efficiency of the circulation of the heating air.

The FK24 fan kit allows variable speed control of the circulation fan and also incorporates a heat sensor in the circuit.

Specifications

115 Volt / 60 Hz / 56 Watts

Maintenance

The fan itself does not require regular maintenance, however periodic cleaning of the fan and the surrounding area is required.

Check the area under the control door (lower louvre assembly) and in front of the fan and wipe or vacuum this area at least once a month during the operating season.

Installation

The fan assembly and other components are supplied fully wired eliminating the need for a licensed electrician to carry out the installation

If hard wiring the fan using Method B (following) we strongly recommend the use of a licensed electrician.

1. Open the lower Louvre assembly. Maneuver the fan & bracket assembly around the gas valve and lines to locate the unit onto the screw studs on the back of the fireplace
2. Install the thermal sensor under the bottom of the firebox, locating it over the two 10 mm studs and secure it with nuts.

3 Locate the fan speed control unit. This can be fitted behind the lower louvre assembly as in Fig. 50 or located remotely in a conveniently located wall mounted electrical box. Remote location of the speed control will require suitable extension of the component wiring.

4 The power supply may be connected in 2 ways:

Method A

Route the 6' lead fitted to the unit to a conveniently located wall socket.

Method B

The EB1 receptacle box (Pt. # ZA1200) may be hard wired into the house supply. The fan lead is then plugged into the EB1 box.

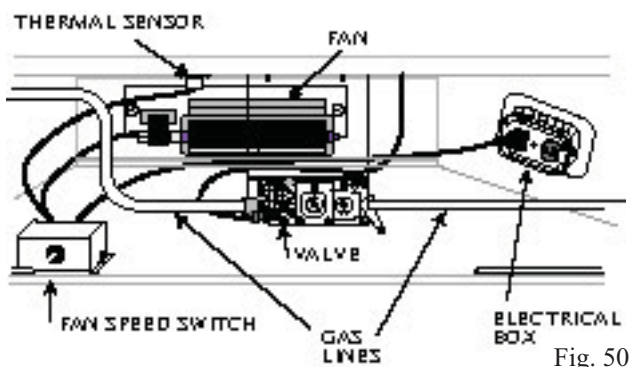


Fig. 50

FK12

This auxiliary fan system increases the efficiency of the circulation of the heating air.

The FK12 Fan Assembly is a fixed speed fan system and does not allow for variable speed control. It does not use the speed control unit or the heat sensor used in the FK24 Kit.

Specifications

115 Volts / 60 Hz / 56 Watts.

Maintenance

The fan itself does not require regular maintenance, however periodic cleaning of the fan and the surrounding area is required.

Check the area under the control door (lower louvre assembly) and in front of the fan and wipe or vacuum this area at least once a month during the operating season.

Installation

The fan assembly is supplied fully wired eliminating the need for a licensed electrician to carry out the installation

1. Open the lower Louvre assembly. Maneuver the fan & bracket assembly around the gas valve and lines to locate the unit against the back wall of the appliance, resting on the base.
2. With the protective cover removed from the self-adhesive 'Velcro' strips apply mild pressure to the fan & bracket unit to secure the strips to the metal panels. No further securing is required.
3. Power to the fan can be supplied by plugging the supplied lead into a conveniently located wall socket or by using a hard-wired EB1 connector box.

WIRING INSTRUCTIONS



The fireplace, when installed, must be electrically connected and grounded in accordance with local codes or, in the absence of local codes, with the current CSA C22.1 Canadian Electric Code.



For U.S.A. installations follow the local codes and the national electrical code ANSI/NFPA No 70.



Should this fan require servicing or repair the power supply must be disconnected. For rewiring of any replacement parts see Fig. 51



Any electrical re-wiring of this fan must be done by a licensed electrician.

Method A (Not using EB1, Fig. 51)

1. Connect the ground wire of the power supply line to the ground stud located on the base of the firebox.
2. Connect the black wire of the supply line to either terminal of the speed control unit.
3. The second terminal of the speed control unit is attached to either terminal of the thermal sensor.
4. The second terminal of the thermal sensor is connected to either terminal of the fan motor.
5. The second fan motor terminal is connected to the white wire of the supply line.

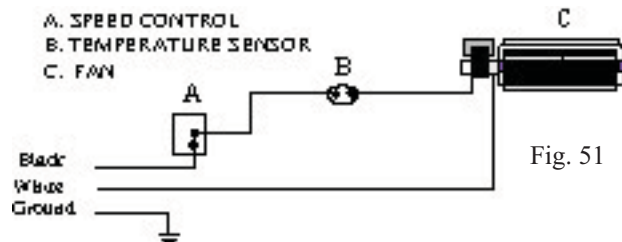


Fig. 51

Method B (Using the EB-1 Box.

For instruction on wiring the EB-1 Electrical Junction Box see the chapter EB-1 Electrical Box.

CERAMIC REFRACTORY KITS

Ceramic refractory panels are available in kit form for the DBT series appliances.

Appliance Model	Kit Name
DBT33	33BDVTCR
DBT36	36BDVCR
DBT39	39BDVCR



Take care when handling the refractory panels as they are fragile until held in place and supported.

Installation, refer to Figs. 52 & 53

1. Remove the front frame/glass assembly.
2. Remove the logs.
3. Place the lower supports for the side refractory panels on the base of the firebox. Place each support so that the slotted hole fits over the forward screw head along the edge of the base.
4. Lay the angular base panels in place on the floor of the firebox on either side of the burner housing
5. Loosely attach the top adjustable tabs to the studs located in the top of the firebox toward the front corners.
6. Place the rear refractory panel in place. Locate the lower edge of the panel in the ledge formed by the top of the rear log support bracket.
7. Slide the side refractory panels into place to hold the rear panel secure. Adjust the top adjustable tabs to hold the side panel against the firebox wall and secure the tab. Repeat the procedure on the other side.
8. Replace the logs and frame/glass assembly.

For esthetic purposes we recommend lining up the horizontal mortar lines.

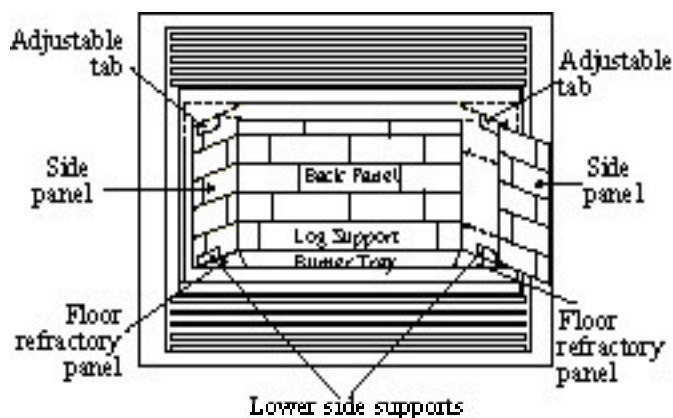


Fig. 52

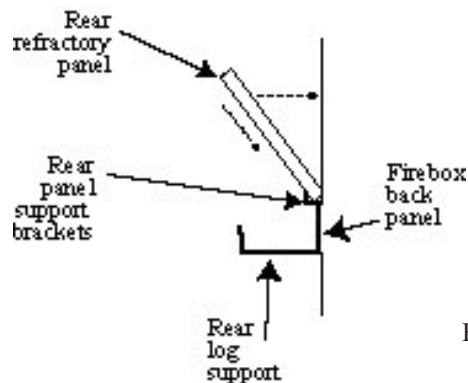


Fig. 53

FRONT WINDOW SCREEN

An optional front window screen is available for the DBT series appliances

Appliance Model	Kit Name
DBT33	33BDVTKS
DBT36	36BDVTKS
DBT39	39BDVTKS

Installation, refer Fig. 54



DO NOT ATTEMPT to install or remove the screen while the appliance is hot.

Either remove the top and bottom brass window trims or take care not to scratch them during the installation of the screen kit.

1. Slide the tabs on the top edge of the window screen assembly up into the slots in the underside of the top rail of the window frame.
2. With the tabs in the slots place the screen down against the glass.
3. Slide the screen down the glass until the bottom edge of the screen sits in the gap between the bottom rail of the window frame and the window glass.

To remove the screen for glass cleaning reverse the installation procedure.

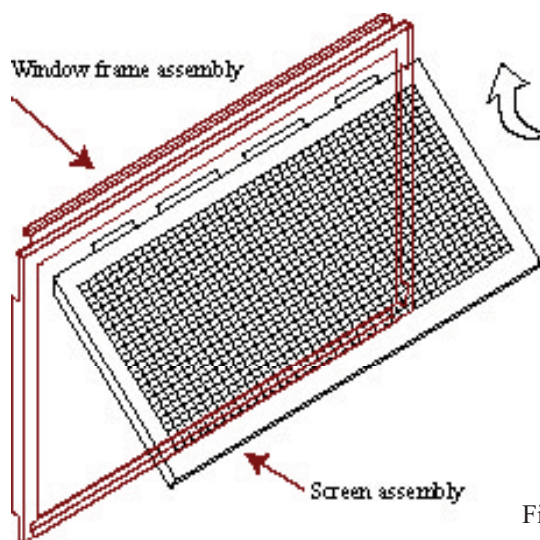


Fig. 54

DECORATIVE BAY WINDOWS

Bay window kits are available for the DBT33, DBT36 & DBT39 model appliances.



*When fitting the Bay Window Kits the original front frame/glass assembly **MUST** remain in place. The Bay Window kit is fitted over the existing front glass.*

Installation

1. Remove the upper and lower brass window trims.
2. Remove the existing bottom louvre assembly complete with the hinges.
3. Remove the top louvre assembly
4. Assemble the Bay Window Kit according to the instructions supplied with the kit.
5. Place the 2 pieces of ceramic refractory along the base of the bay window, Fig. 59
6. Hang the Bay Window Assembly over the existing front frame & glass assembly.
7. Re-install the upper louvre assembly.



Do not remove the existing front frame and glass panel.

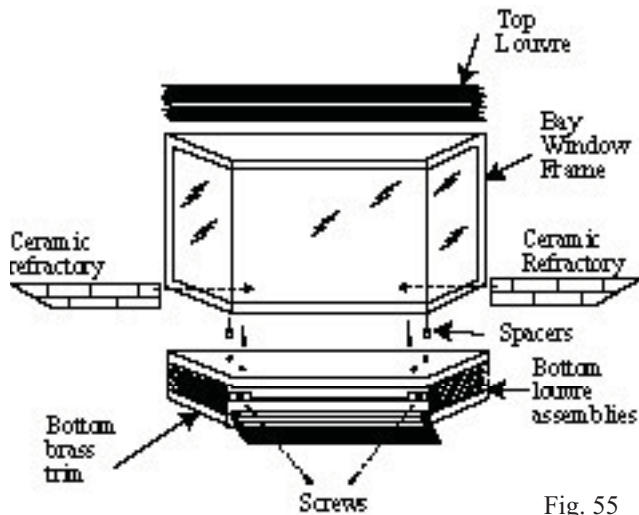


Fig. 55

REMOTE CONTROLS

Optional remote control units are available to control different functions of the appliance.

Model	Function/s Controlled
MRC1	ON/OFF
MRC2	ON/OFF and Temperature
MRC3	ON/OFF and Temperature control with a digital display and a programmable 24 hour clock
IMT	Wall mounted thermostat control

LIMITED WARRANTY & EXTENDED LIFE TIME PROTECTION

For Gas Appliance Products*

BASIC WARRANTY:

The CFM Majestic, Inc.™ (hereinafter referred to collectively as the "Company") warrants that your new Vermont Castings Gas Appliance is free from manufacturing and material defects for a period of one year from date of installation, subject to the following conditions and limitations.

EXTENDED LIFE TIME WARRANTY:

The heat exchanger, combustion chamber and ceramic burner parts of every *CFM Majestic, Inc. product are warranted for life to the original owner, subject to proof of purchase and the following conditions and limitations:

- 1 This new **CFM Majestic, Inc.** product must be installed by a competent, authorized service contractor. It must be installed and operated at all times in accordance with the Installation and Operating instructions furnished with the product. Any alteration, willful abuse, accident, or misuse of the product shall nullify this warranty.
- 2 This warranty is non-transferrable, and is made to the original owner, provided that the purchase was made through an authorized supplier of the Company.
- 3 This warranty is limited to the repair or replacement of part(s) found to be defective in material or workmanship, provided that such part(s) have been subjected to normal conditions of use and service, after said defect is confirmed by the Company's inspection.
- 4 The Company may, at its discretion, fully discharge all obligations with respect to this warranty by refunding the wholesale price of the defective part(s).
- 5 Any installation, labour, construction, transportation, or other related costs/expenses arising from defective part(s), repair, replacement, or otherwise of same, will not be covered by this warranty, nor shall the Company assume responsibility for same. Further, the Company will not be responsible for any incidental, indirect, or consequential damages, except as provided by law.
- 6 All other warranties - expressed or implied - with respect to the product, its components and accessories, or any obligations/liabilities on the part of the Company are hereby expressly excluded.
- 7 The Company neither assumes, nor authorizes any third party to assume, on its behalf, any other liabilities with respect to the sale of this **CFM Majestic, Inc.** product.
- 8 The warranties as outlined within this document do not apply to chimney components or other non **CFM Majestic, Inc.** accessories used in conjunction with the installation of this product.
- 9 **The Company will not be responsible for . . .**
 - a) Down drafts or spillage caused by environmental conditions such as near-by trees, buildings, roof tops, hills, or mountains.
 - b) Inadequate ventilation or negative air pressure caused by mechanical systems such as furnaces, fans, clothes dryers, etc.
- 10 **This warranty is void if:**
 - a) The fireplace has been operated in atmospheres contaminated by chlorine, fluorine or other damaging chemicals.
 - b) The fireplace is subjected to prolonged periods of dampness or condensation.
 - c) Any damage to the fireplace, combustion chamber, heat exchanger or other components due to water, or weather damage which is the result of, but not limited to, improper chimney/venting installation.
 - d) Any alteration, willful abuse, accident, or misuse of the product.

GLASS DOORS & BRASS PLATED PARTS

Glass doors are not warranted for breakage due to misuse or accident. Brass parts should be cleaned with lemon oil **only**. Brass cleaners **cannot** be used. Mortar mix and masonry cleaners may corrode the brass finish. The Company will not be responsible for, nor will it warrant any brass parts which are damaged by external chemicals or down draft conditions.

IF WARRANTY SERVICE IS NEEDED . . .

- 1) Contact your supplier. Make sure you have your warranty, your sales receipt, and the model/serial number of your **CFM Majestic, Inc. product**.
- 2) **DO NOT ATTEMPT TO DO ANY SERVICE WORK YOURSELF.**

GARANTIE DE BASE:

The CFM Majestic, Inc. (aux présentes nommée la "Société") garantit votre nouveau foyer au gaz CFM Majestic, Inc. contre tous défauts de fabrication et de matières premières pour une période d'un an à compter de la date d'installation, sujet aux conditions et limitations suivantes.

GARANTIE A VIE PROLONGEE:

Les pièces de l'échangeur de chaleur, de la chambre à combustion et du brûleur en céramique de tout produit *CFM Majestic, Inc. sont garanties pour la vie de l'acheteur d'origine, le tout sujet à une preuve d'achat et aux conditions et limitations suivantes:

- 1 Ce nouveau produit **CFM Majestic, Inc.** doit être installé par un entrepreneur de service autorisé et compétent. Il doit être installé et utilisé en tout temps selon les instructions d'installation et de fonctionnement fournies avec le produit. Toute altération, abus volontaire, accident ou mauvais usage du produit annulera cette garantie.
- 2 Cette garantie n'est pas transférable et est offerte à l'acheteur au détail d'origine, à condition que l'achat soit effectué par l'entremise d'un détaillant autorisé de la Société.
- 3 Cette garantie est limitée à la réparation ou au remplacement de(des) pièce(s) trouvée(s) défectueuse(s) en matières premières ou main-d'oeuvre, à condition que lesdites pièces aient été sujettes aux conditions normales d'usage et de service, après que ledit défaut a été confirmé par une inspection par la Société.
- 4 La Société peut, à sa discrétion, se décharger entièrement de toutes obligations se rapportant à cette garantie en remboursant le prix de gros de la(des) pièce(s) défectueuse(s).
- 5 Tous les frais/dépenses d'installation, de main-d'oeuvre, de construction, de transport ou autres causés par une (des) pièce(s) défectueuse(s), une réparation, un remplacement ou autre, ne seront pas couverts sous cette garantie, et la Société n'assume aucune responsabilité pour ceux-ci. De plus, la Société ne pourra être tenue responsable pour tous dommages fortuits ou indirects sauf la ou prévu par la loi.
- 6 Toutes autres garanties, exprimées ou sous-entendues, en ce qui a trait au produit, ses composants et accessoires, ou toutes obligations/responsabilités de la part de la Société sont aux présentes expressément exclues.
- 7 La Société n'assume et n'autorise personne à assumer, en son nom, toutes responsabilités en ce qui a trait à la vente de ce produit **CFM Majestic, Inc.**
- 8 Les garanties, telles que décrites dans ce document, ne s'appliquent pas aux composants de cheminée ou aux autres accessoires non **CFM Majestic, Inc.** utilisés conjointement pour l'installation de ce produit.
- 9 **La Société n'encourra aucune responsabilité pour . . .**
 - a) Les refoulements de cheminées ou débordements causés par les conditions environnementales comme par les arbres, les édifices, les toits, les côtes adjacents.
 - b) Une ventilation inadéquate ou une pression d'air négative causée par des systèmes mécaniques comme les fournaies, les ventilateurs, les sècheuses, etc.
- 10 **Cette garantie est nulle si:**
 - a) Le foyer a été utilisé dans une atmosphère contaminée par du chlore, du fluor ou tous autres produits chimiques.
 - b) Le foyer est assujéti à de longues périodes d'humidité ou de condensation.
 - c) Des dommages sont causés au foyer, à la chambre de combustion, à l'échangeur de chaleur ou aux autres composants par de l'eau ou par la température qui est le résultat mais sans y être limité, d'une mauvaise installation de cheminée/ventilation.
 - d) Toute altération, abus volontaire, accident ou mauvais usage du produit annulera cette garantie.

PORTES EN VERRE & PIÈCES PLAQUÉES LAITON

Les portes en verre ne sont pas garanties contre le bris causé par un mauvais usage ou un accident.

Les pièces en laiton devraient être nettoyées qu'avec de l'essence de citron. Les nettoyeurs de laiton ne peuvent pas être utilisés. La Société ne sera pas responsable pour, et ne garantit pas les pièces en laiton qui sont endommagées par des conditions chimiques externes ou de refoulement.

SI UN SERVICE SOUS GARANTIE EST REQUIS . . .

1. Communiquez avec votre détaillant. Assurez-vous que vous avez votre garantie, votre reçu de caisse ainsi que le numéro de modèle/série de votre produit **CFM Majestic, Inc.**
2. **NE TENTEZ PAS D'EFFECTUER DES REPARATIONS VOUS-MEME.**

CFM Majestic, Inc.

410 Admiral Blvd. • Mississauga, Ontario, Canada L5T 2N6 • 905-670-7885
www.vermontcastings.com

© Copyright
CFM Majestic, Inc.