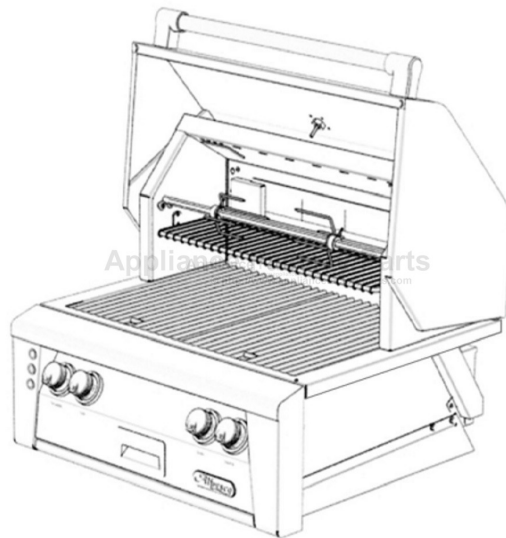


This Owner's Manual is provided and hosted by [Appliance Factory Parts](#).



Alfresco ALXE30SZ Owner's Manual

[Shop genuine replacement parts for Alfresco
ALXE30SZ](#)

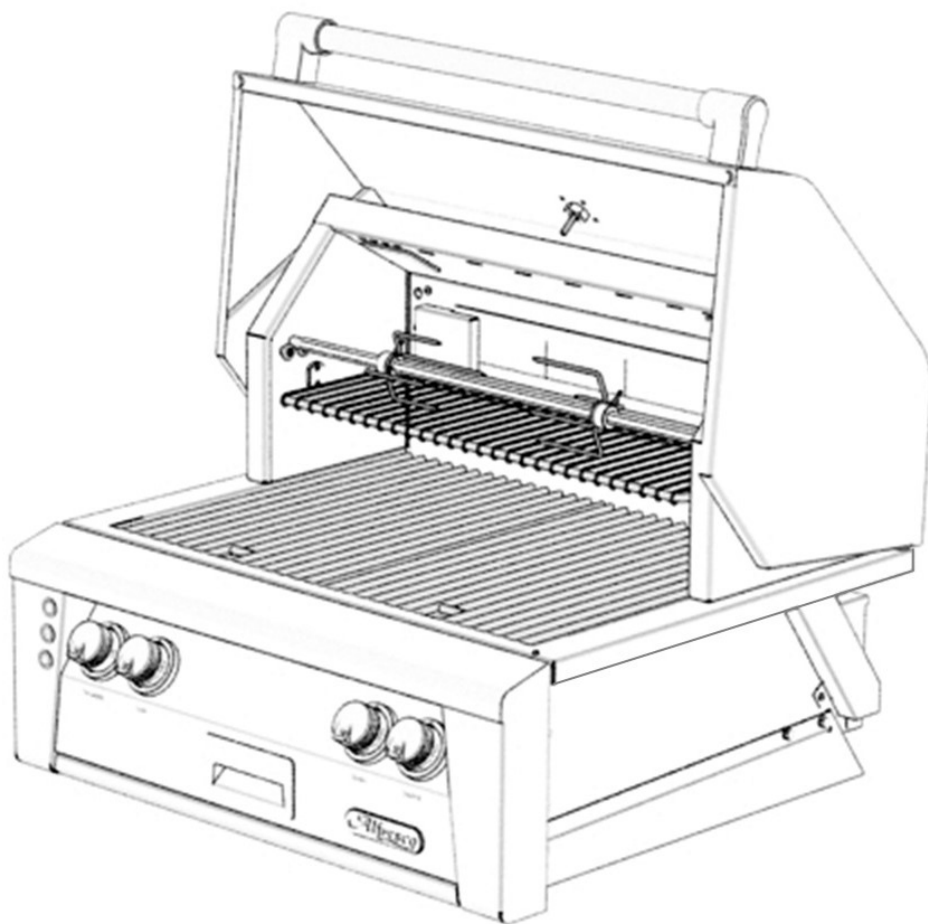


[Find Your Alfresco Grill Parts - Select From 126 Models](#)

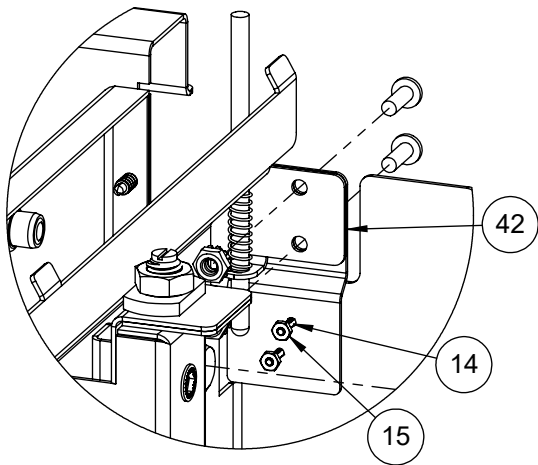
----- Manual continues below -----

Alfresco™

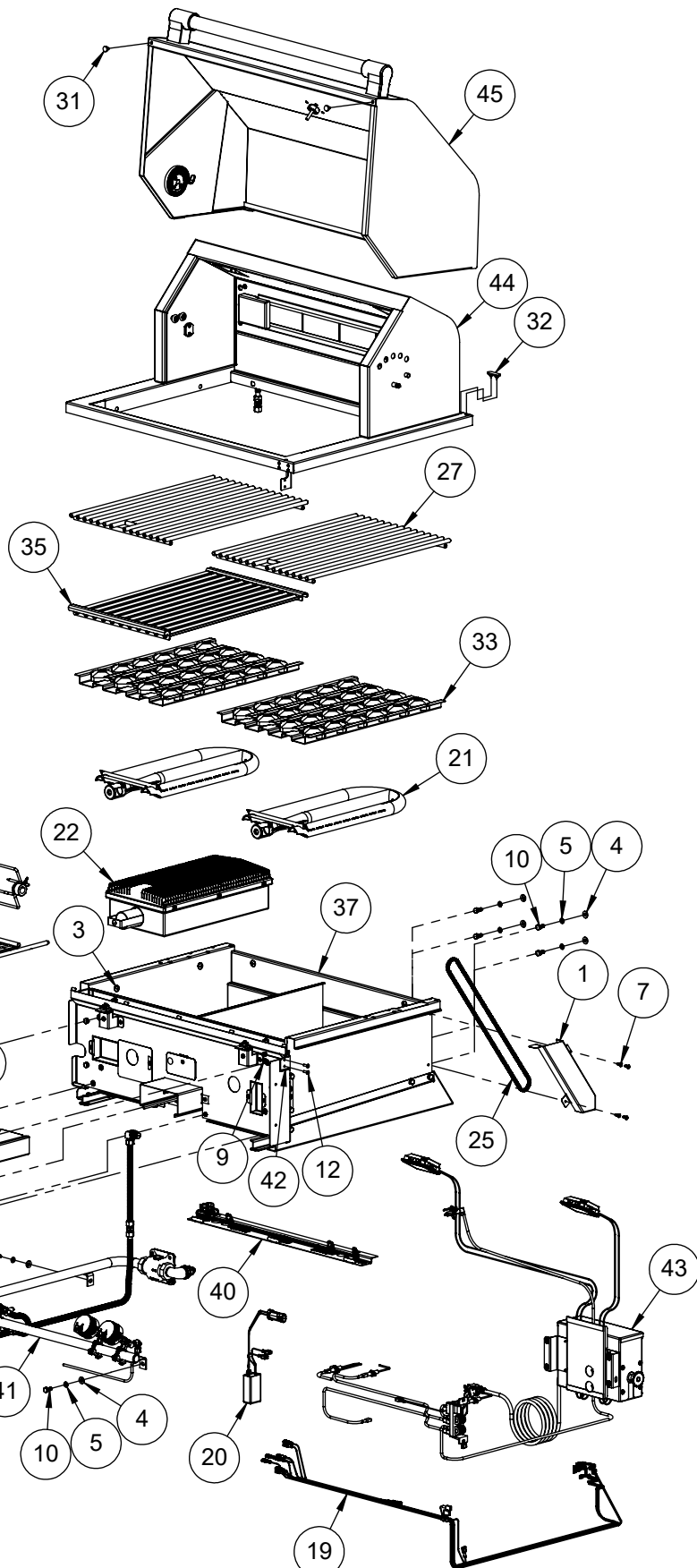
Open Air Culinary Systems



ALXE-30 & 30SZ Parts Manual
Serial Numbers 18-00000 forward



DETAIL OF HOOD SWITCH MECHANISM
 FASTENERS (14) & (15) ARE FOR
 ATTACHING THE SWITCH 210-0626
 SEE ELECTRICAL COMPONENTS



NOTE:
 SEARZONE™ BURNER (22) AND GRILL (35) USED ON ALXE-30SZ
 OTHERWISE, ONLY BURNER (21), GRILL (27) AND BRIQUETTE (33) USED ON ALXE-30

| ITEM | PART NUMBER | DESCRIPTION | QTY |
|------|-------------|---|-----|
| 1 | 100-1877 | ROTISSERIE CHAIN COVER | 1 |
| 2 | 130-3068 | FRONT PANEL | 1 |
| 3 | 200-0057 | SCREW 1/4-20 X 1/2 - TRUSS HEAD - PHILLIPS | 8 |
| 4 | 200-0074 | FLAT WASHER 1/4 TYPE A NARROW | 7 |
| 5 | 200-0087 | WASHER - 1/4" SPRING LOCK- REGULAR - SS | 15 |
| 6 | 200-0089 | BOLT - HEX HEAD 1/4-20 x 1/2" L | 8 |
| 7 | 200-0111 | SCREW 8-18 X 1/2 - SELF TAP - 410 SS | 6 |
| 8 | 200-0125 | NUT THREAD CUTTER FOR 1/4" Ø STUD -SPEED NUT | 2 |
| 9 | 200-0206 | 8-32 KEP NUT 18-8 STAINLESS | 2 |
| 10 | 200-0219 | HEX HD MACHINE SCREW 1/4-20 UNC X 5/8 LONG SS | 7 |
| 11 | 200-0267 | 10-32 X 1/2 - PAN HEAD - PHILLIPS SCREW | 6 |
| 12 | 200-0270 | 8-32 PAN HD X 1/2 PHILLIPS 18-8 SS | 2 |
| 13 | 200-0348 | Screw 6-32 x 3/8 Flat Head (82°) phillips - Thread Cutter - #2 Drive - SS 410 | 8 |
| 14 | 200-0362 | 18-8 SS PAN HEAD SCREW 2-56 X 3/8 | 2 |
| 15 | 200-0363 | 18-8 SS NUT 2-56 | 2 |
| 16 | 210-0583 | SWITCH - IGNITION - MOMENTARY [ON]/OFF | 1 |
| 17 | 210-0584 | SWITCH - LIGHT - LATCHING [ON/OFF] | 1 |
| 18 | 210-0585 | SWITCH - ROTISSERIE - LATCHING [ON/OFF] | 1 |
| 19 | 210-0598 | WIRING HARNESS | 1 |
| 20 | 210-0623 | TRANSFORMER ASSY FOR ALXE | 1 |
| 21 | 290-0038 | BURNER - GRILL - "U" SHAPE | 2 |
| 22 | 290-0052 | ALFRESCO SEAR ZONE™ BURNER ASSEMBLY | 1 |
| 23 | 290-0059 | ROTISSERIE DRIP PAN | 1 |
| 24 | 290-0096 | FORK ASSEMBLY | 2 |
| 25 | 290-0116 | CHAIN - ANSI # 25 - 1/4" PITCH - .13" Ø X 1/8" ROLLER | 1 |
| 26 | 290-0123 | SPEAR - ROTISSERIE - 30" - 2006 BBQ | 1 |
| 27 | 290-0124 | GRILL 30" BBQ - 12 3/4" WIDE - SS | 2 |
| 28 | 290-0315 | WARMING RACK - SS | 1 |
| 29 | 290-0377 | ALFRESCO RANGE LOGO | 1 |
| 30 | 290-0388 | ALFRESCO RANGE KNOB - BEZEL RING | 4 |
| 31 | 290-0465 | Bumper 600°F 1/2" dia x 5/32" head | 2 |
| 32 | 290-0468 | Bumper 600°F (obround), black | 2 |
| 33 | 510-0522 | BRIQUETTE TRAY ASSEMBLY | 2 |
| 34 | 510-0912 | SMOKER BOX | 1 |
| 35 | 510-0913 | SEARZONE™ GRILL ASSEMBLY | 1 |
| 36 | 510-0918 | SMOKER BURNER ASSEMBLY | 1 |
| 37 | 510-0942 | FIREBOX MAIN ASSEMBLY | 1 |
| 38 | 510-0963 | FRONT PANEL PERIMETER | 1 |
| 39 | 510-0967 | DRIP TRAY ASSEMBLY | 1 |
| 40 | 510-0998 | LED LIGHT FIXTURE | 1 |
| 41 | 510-1005 | GAS MANIFOLD ASSEMBLY | 1 |
| 42 | 510-1026 | HOOD SWITCH MECHANISM | 1 |
| 43 | 510-1051 | ELECTRICAL COMPONENTS | 1 |
| 44 | 510-1207 | REAR HOOD & RIM ASSEMBLY | 1 |
| 45 | 510-1212 | FRONT HOOD ASSEMBLY | 1 |



THE INFORMATION CONTAINED IN THIS DRAWING IS THE SOLE PROPERTY OF SUPERIOR EQUIPMENT SOLUTIONS INC. ANY REPRODUCTION IN PART OR AS A WHOLE WITHOUT WRITTEN PERMISSION FROM SUPERIOR EQUIPMENT SOLUTIONS, INC. IS PROHIBITED.

DRAWN BY: N SILCOCK
CREATED: 2/23/2016 10:51:46 AM

PROJECT TITLE:

ALXE-30 AND 30SZ

DRAWING TITLE:

DRAWING NO.:

500-015

SHEET 2 OF 2

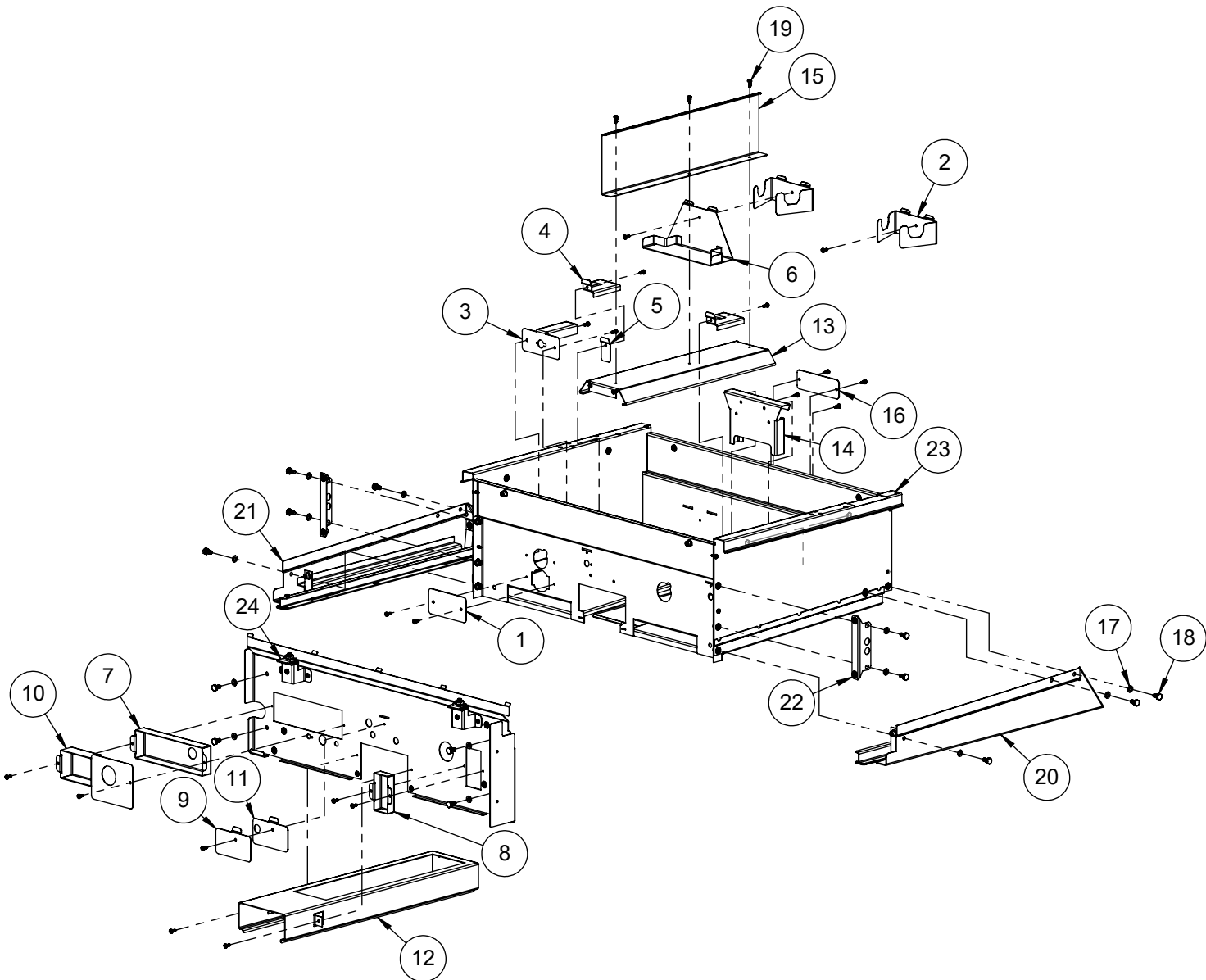
NOTE:
UNIQUE PARTS USED ON ALXE-30 MODEL

- (1) (4) (10) (11)

UNIQUE PARTS USED ON ALXE-30SZ MODEL

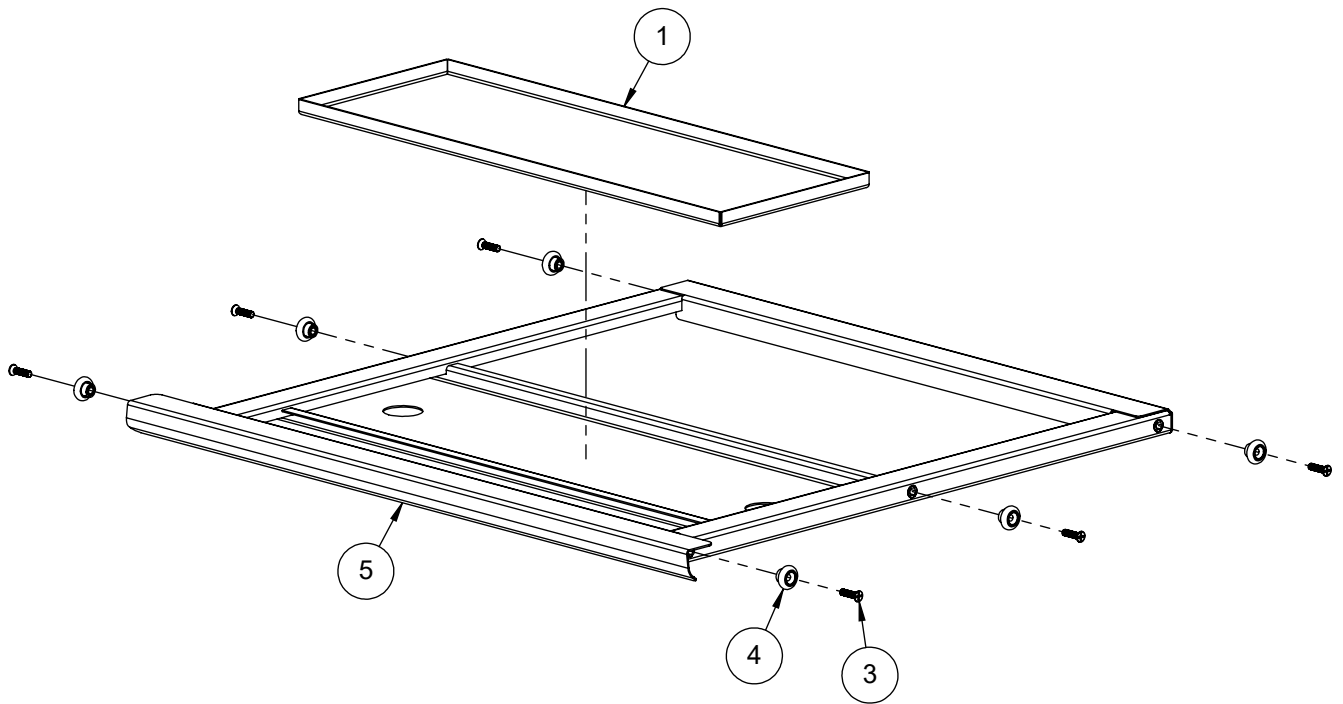
- (3) (5) (6) (7) (9) (15)

ITEM (2) IS USED FOR "U" BURNERS ONLY
THEREFORE, ALXE-30SZ ONLY HAS ONE.



| ITEM | PART NUMBER | DESCRIPTION | QTY |
|------|-------------|---|-----|
| 1 | 100-1065 | SEARZONE™ OPENING FIREBOX COVER | 1 |
| 2 | 100-1846 | U-BURNER BRACKET | 2 |
| 3 | 100-1847 | SEAR-ZONE IGNITER BRACKET / SHIELD | 1 |
| 4 | 100-1848 | IGNITER SHIELD | 2 |
| 5 | 100-1849 | IGNITER HOLE COVER | 1 |
| 6 | 100-1884 | SEAR-ZONE™ BURNER BRACKET | 1 |
| 7 | 100-1887 | DUAL VALVE FIREWALL COVE | 1 |
| 8 | 100-1888 | SINGLE VALVE FIREWALL COVE | 1 |
| 9 | 100-1890 | FIREWALL OPENING COVER FOR SEARZONE™ | 1 |
| 10 | 100-1945 | DUAL VALVE FIREWALL COVER FOR U-BURNER | 1 |
| 11 | 100-1946 | FIREWALL OPENING COVER FOR U-BURNER | 1 |
| 12 | 130-3039 | SMOKER BOX BODY | 1 |
| 13 | 130-3040 | SMOKER BOX TOP DIFFUSER | 1 |
| 14 | 130-3041 | FLUE | 1 |
| 15 | 130-3042 | SEAR ZONE BURNER SHIELD | 1 |
| 16 | 130-3047 | REAR COVER PLATE | 1 |
| 17 | 200-0087 | WASHER - 1/4" SPRING LOCK- REGULAR - SS | 13 |
| 18 | 200-0089 | BOLT - HEX HEAD 1/4-20 x 1/2" L | 13 |
| 19 | 200-0111 | SCREW 8-18 X ½ - SELF TAP - 410 SS | 28 |
| 20 | 510-0502 | GREASE TRAY SUPPORT - RIGHT SIDE | 1 |
| 21 | 510-0503 | GREASE TRAY SUPPORT - LEFT SIDE | 1 |
| 22 | 510-0520 | FIREWALL SUPPORT BRACKET ASSEMBLY | 2 |
| 23 | 510-0943 | FIREBOX WELDED PARTS | 1 |
| 24 | 510-1006 | FIREWALL ASSEMBLY | 1 |

| ITEM | PART NUMBER | DESCRIPTION | QTY |
|------|-------------|---|-----|
| 1 | 130-3093 | DRIP TRAY INSERT | 1 |
| 2 | 200-0109 | RIVNUT, HEX THREADED INSERT # 10 - 32 THREAD CLOSED END | 6 |
| 3 | 200-0148 | SCREW 10-32 X 3/4" - FLAT HEAD - PHILLIPS - 82° - SS | 6 |
| 4 | 290-0119 | ROLLER WHEEL - STAINLESS STL - 3/4" Ø | 6 |
| 5 | 510-0966 | DRIP TRAY | 1 |



Alfresco
 SUPERIOR EQUIPMENT SOLUTIONS
 7039 EAST SLAUSON AVENUE
 COMMERCE, CA. 90040

THE INFORMATION CONTAINED IN THIS DRAWING IS THE SOLE PROPERTY OF SUPERIOR EQUIPMENT SOLUTIONS INC. ANY REPRODUCTION IN PART OR AS A WHOLE WITHOUT WRITTEN PERMISSION FROM SUPERIOR EQUIPMENT SOLUTIONS, INC. IS PROHIBITED.

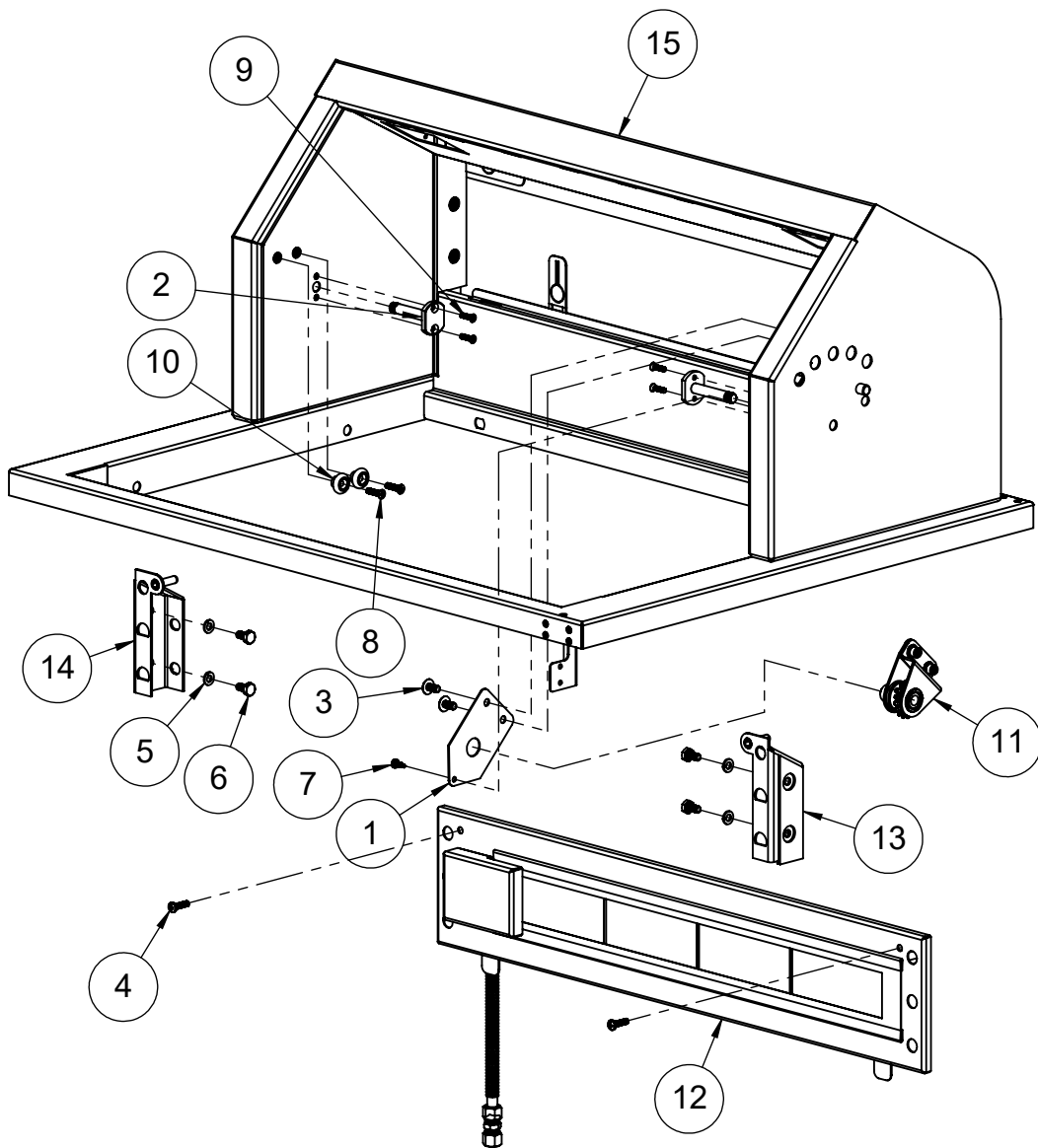
DRAWN BY: N SILCOCK
CREATED: 2/25/2016 9:07:25 AM

PROJECT TITLE:
ALXE-30 AND 30SZ

DRAWING TITLE:
DRIP TRAY ASSEMBLY

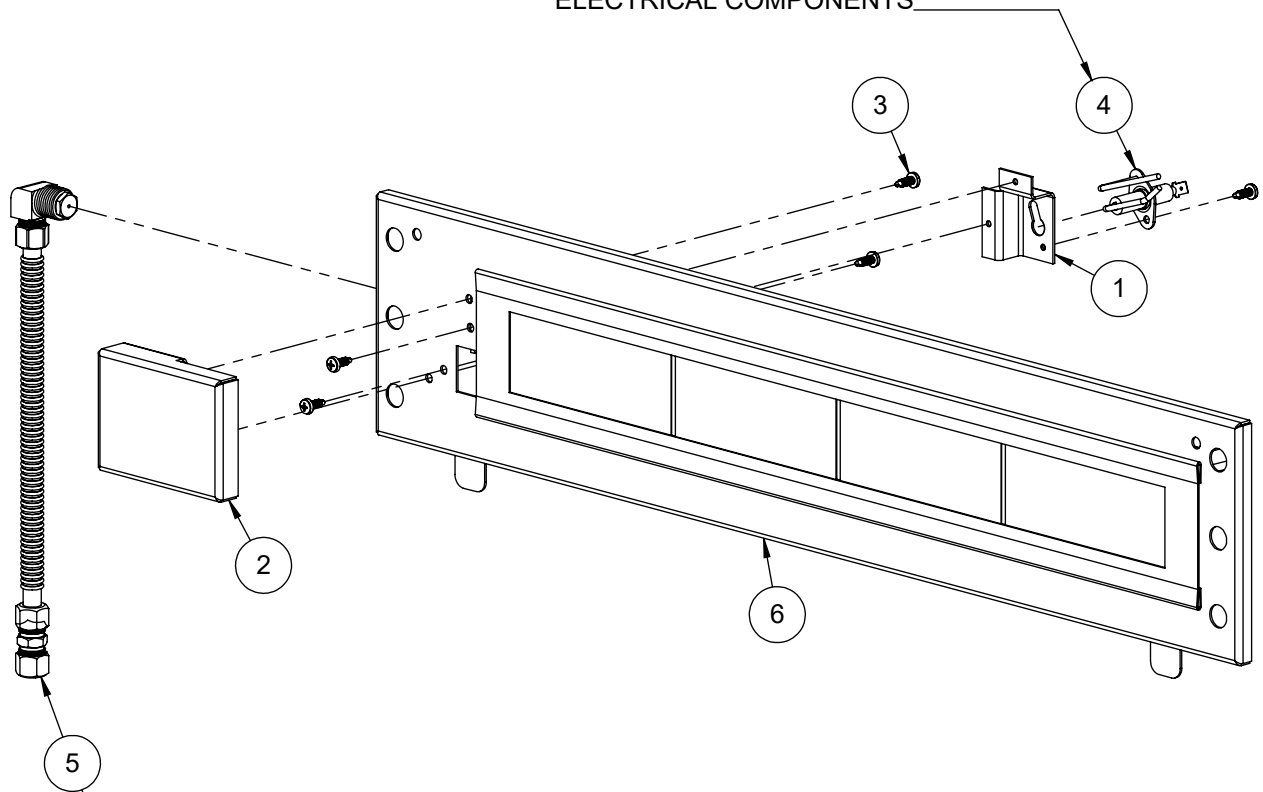
DRAWING NO.: 510-096
 SHEET 1 OF 1

| ITEM | PART NUMBER | DESCRIPTION | QTY |
|------|-------------|--|-----|
| 1 | 100-1092 | ROTISSERIE GEAR COVER | 1 |
| 2 | 130-2985 | PIVOT PIN | 2 |
| 3 | 200-0057 | SCREW 1/4-20 X 1/2 - TRUSS HEAD - PHILLIPS | 2 |
| 4 | 200-0062 | SCREW 10-32 X 3/4 - PAN HEAD - PHILLIPS | 2 |
| 5 | 200-0087 | WASHER, 1/4" - SPRING LOCK - SS | 4 |
| 6 | 200-0089 | BOLT - HEX HEAD 1/4-20 x 1/2" L | 4 |
| 7 | 200-0111 | SCREW 8-18 X 1/2 - SELF TAP - 410 SS | 1 |
| 8 | 200-0148 | SCREW 10-32 X 3/4" - FLAT HEAD - PHILLIPS - 82° - SS | 2 |
| 9 | 200-0361 | SCREW 8-32 X 5/8" - FLAT HEAD 82° - PHILLIPS | 4 |
| 10 | 290-0119 | ROLLER WHEEL - STAINLESS STL - 3/4" Ø | 2 |
| 11 | 510-0139 | ROTISSERIE GEAR ASSEMBLY | 1 |
| 12 | 510-0478 | ROTISSERIE PANEL ASSY | 1 |
| 13 | 510-0483 | WARMING RACK BRACKET, RIGHT SIDE | 1 |
| 14 | 510-0484 | WARMING RACK BRACKET, LT SIDE | 1 |
| 15 | 510-1208 | REAR HOOD & RIM WELDED PARTS | 1 |



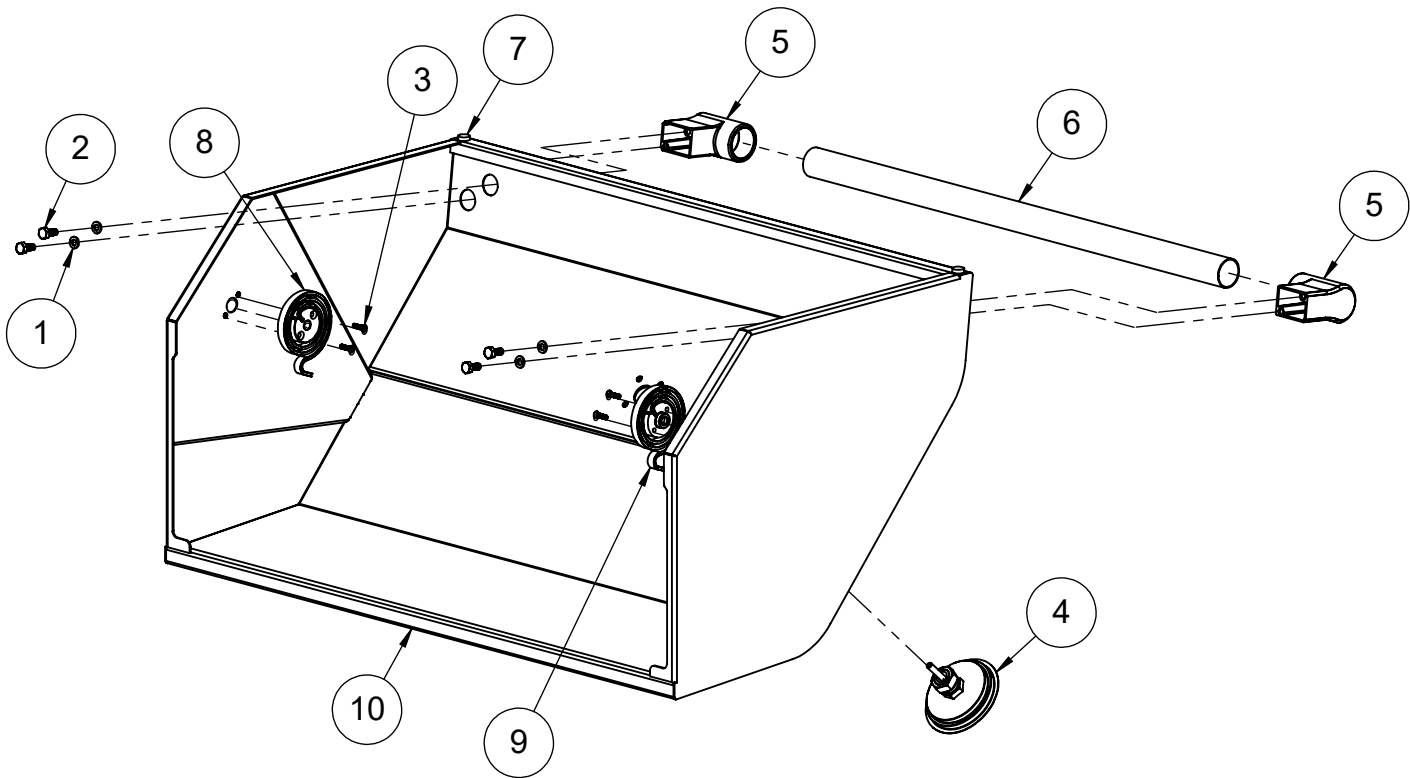
| ITEM | PART NUMBER | DESCRIPTION | QTY |
|------|-------------|--|-----|
| 1 | 100-1986 | ROTISSERIE BURNER IGNITER BRAKET | 1 |
| 2 | 100-1987 | ROTISSERIE BURNER IGNITER COVER | 1 |
| 3 | 200-0111 | SCREW 8-18 X 1/2 - SELF TAP - 410 SS | 5 |
| 4 | 210-0240 | ELECTRODE - DUAL TIP "L" SHAPE- ROTISSERIE | 1 |
| 5 | 510-0469 | ROTISSERIE PIPING SUBASSEMBLY | 1 |
| 6 | 510-0482 | ROTISSERIE PANEL - WELDED PARTS | 1 |

ELECTRODE SHOWN FOR ASSEMBLY PURPOSES ONLY
REFER TO ASSEMBLY DRAWING 510-0494M FOR ALL
ELECTRICAL COMPONENTS

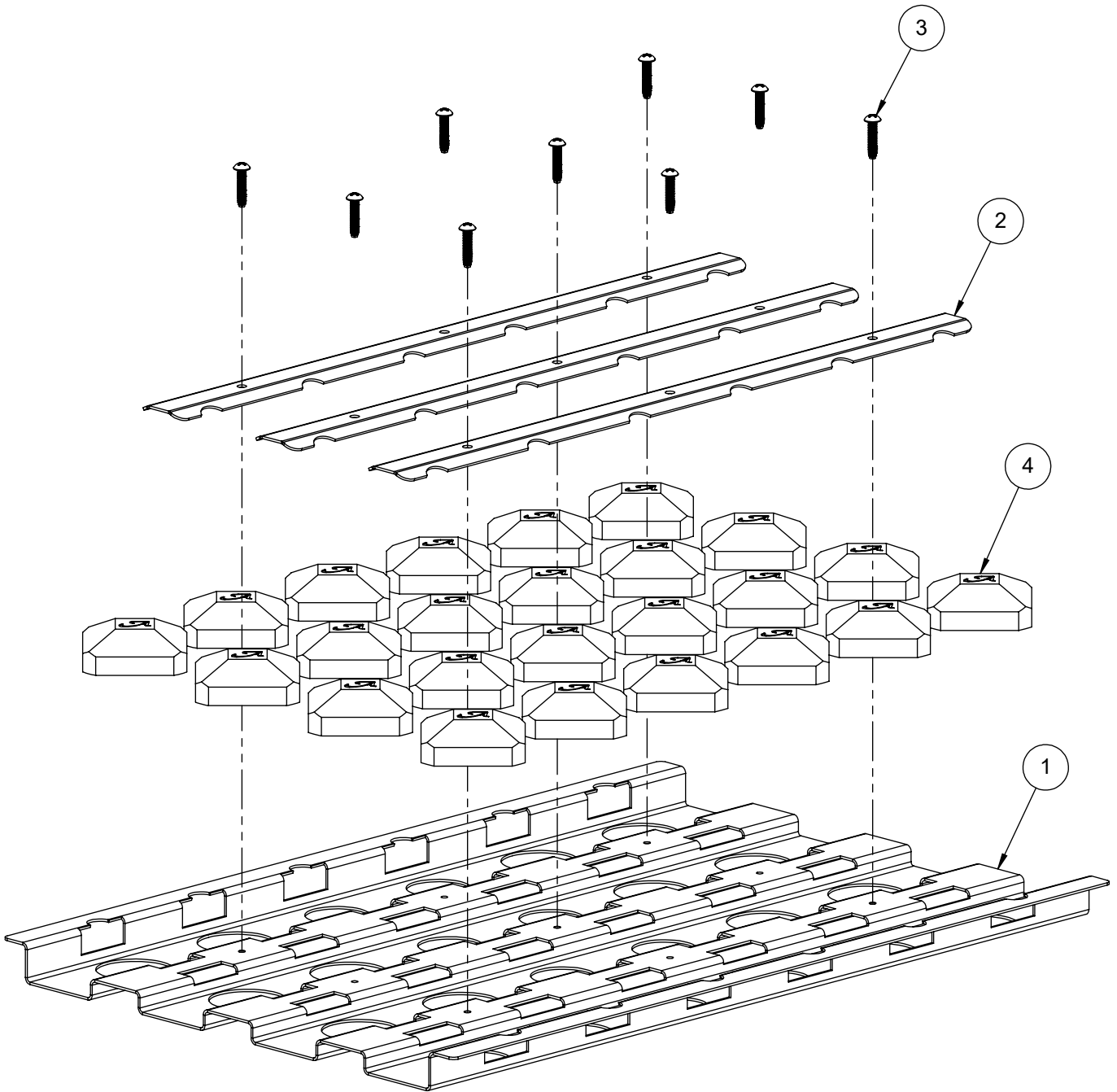


THESE PARTS ARE SHOWN FOR ASSEMBLY PURPOSES ONLY
REFER TO ASSEMBLY DRAWING 510-1005M FOR COMPLETE
PARTS BREAKDOWN AND ORIFICE INFORMATION

| ITEM | PART NUMBER | DESCRIPTION | QTY |
|------|-------------|--|-----|
| 1 | 200-0087 | WASHER, 1/4" - SPRING LOCK - SS | 4 |
| 2 | 200-0219 | SCREW 1/4-20 UNC X 5/8 LONG - HEX HD - SS | 4 |
| 3 | 200-0361 | SCREW 8-32 X 5/8" - FLAT HEAD 82° - PHILLIPS | 4 |
| 4 | 210-0571 | 3-1/8 DIA THERMOMETER | 1 |
| 5 | 290-0400 | HANDLE END CAP | 2 |
| 6 | 290-0442 | BARBECUE HOOD HANDLE | 1 |
| 7 | 290-0465 | BUMPER 600°F 1/2" DIA x 5/32" HEAD | 2 |
| 8 | 510-0924 | SPIRAL TORSION SPRING LT | 1 |
| 9 | 510-0925 | SPIRAL TORSION SPRING RT | 1 |
| 10 | 510-1213 | FRONT HOOD (WELDED PARTS) | 1 |



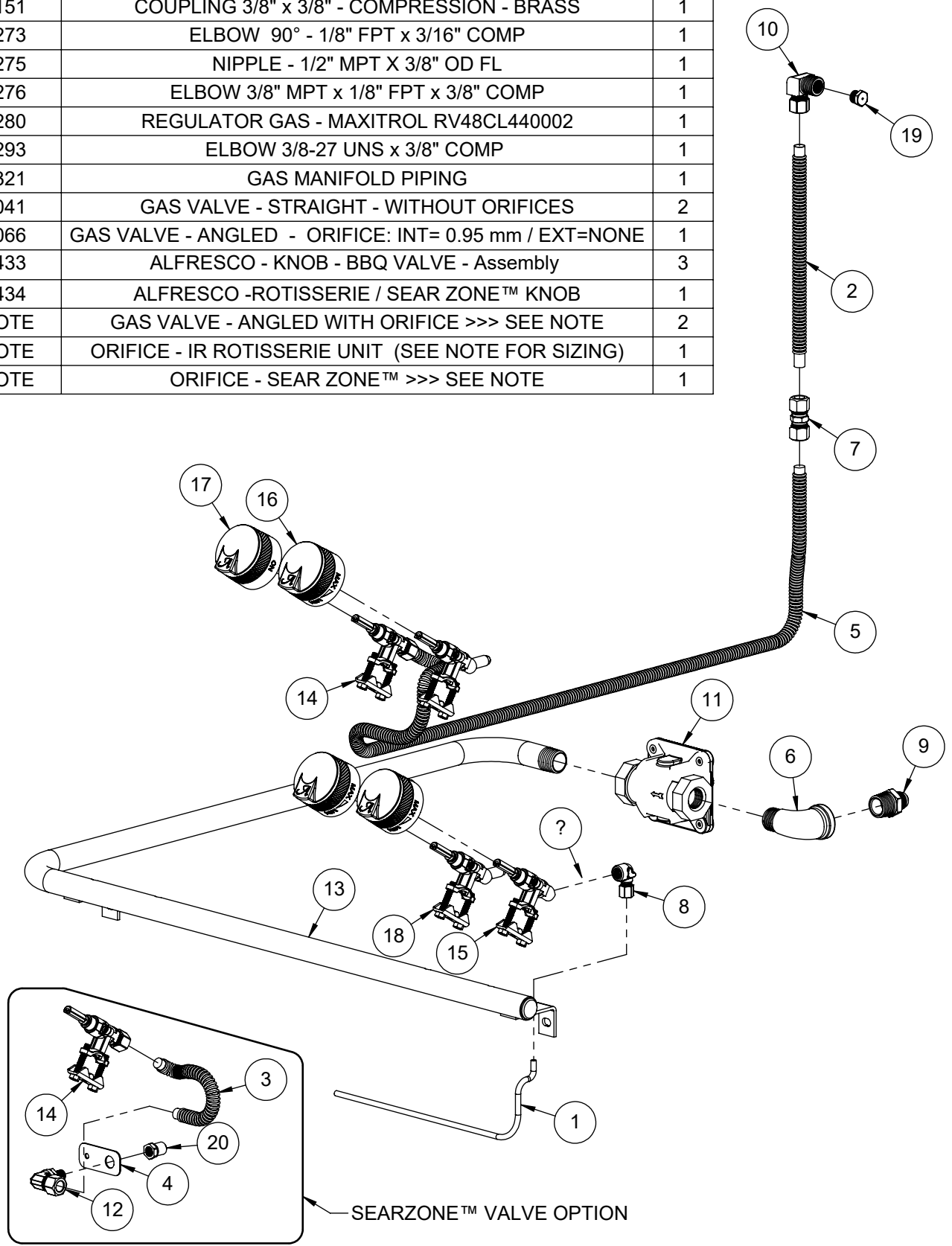
| ITEM | PART NO. | DESCRIPTION | QTY |
|------|----------|---|-----|
| 1 | 100-1894 | BRIQUETTE TRAY BASE | 1 |
| 2 | 100-1895 | BRIQUETTE LOCK BAR | 3 |
| 3 | 200-0312 | SCREW 8-32 x 3/4"- PAN HEAD - PHILLIPS - THREAD CUTTER TYPE F | 9 |
| 4 | 265-0005 | BRIQUETTE - ALFRESCO CUSTOM | 24 |



| ITEM | PART NUMBER | DESCRIPTION | QTY |
|------|-------------|---|-----|
| 1 | 100-0913 | 30" & 56" BFG BBQ SMOKER GAS LINE | 1 |
| 2 | 100-0917 | ROTISSERIE GAS LINE EXTENSION - 3/8"Ø X 8" - SS | 1 |
| 3 | 100-0917 | SEAR ZONE™ GAS LINE (8"L x 3/8" Ø - SS. FLEX TUBE) | 1 |
| 4 | 100-1067 | SMOKER & SZ™ ORIFICE BRACKET | 1 |
| 5 | 100-1949 | ROTISSERIE GAS LINE (36"L x 3/8" Ø - SS. FLEX TUBE) | 1 |
| 6 | 200-0274 | ELBOW 90° - CAST IRON - 1/2" FPT x 1/2" MPT | 1 |
| 7 | 220-0151 | COUPLING 3/8" x 3/8" - COMPRESSION - BRASS | 1 |
| 8 | 220-0273 | ELBOW 90° - 1/8" FPT x 3/16" COMP | 1 |
| 9 | 220-0275 | NIPPLE - 1/2" MPT X 3/8" OD FL | 1 |
| 10 | 220-0276 | ELBOW 3/8" MPT x 1/8" FPT x 3/8" COMP | 1 |
| 11 | 220-0280 | REGULATOR GAS - MAXITROL RV48CL440002 | 1 |
| 12 | 220-0293 | ELBOW 3/8-27 UNS x 3/8" COMP | 1 |
| 13 | 220-0321 | GAS MANIFOLD PIPING | 1 |
| 14 | 290-0041 | GAS VALVE - STRAIGHT - WITHOUT ORIFICES | 2 |
| 15 | 290-0066 | GAS VALVE - ANGLED - ORIFICE: INT= 0.95 mm / EXT=NONE | 1 |
| 16 | 290-0433 | ALFRESCO - KNOB - BBQ VALVE - Assembly | 3 |
| 17 | 290-0434 | ALFRESCO -ROTISSERIE / SEAR ZONE™ KNOB | 1 |
| 18 | SEE NOTE | GAS VALVE - ANGLED WITH ORIFICE >>> SEE NOTE | 2 |
| 19 | SEE NOTE | ORIFICE - IR ROTISSERIE UNIT (SEE NOTE FOR SIZING) | 1 |
| 20 | SEE NOTE | ORIFICE - SEAR ZONE™ >>> SEE NOTE | 1 |

NOTE: ORIFICE OR VALVE ASSEMBLY TO CHANGE ACCORDING TO FUEL SUPPLY: NATURAL GAS OR LIQUID PROPANE

| ITEM | NG GAS PART # | LP GAS PART # |
|------|---------------|---------------|
| 19 | 290-0310 | 290-0310 |
| 20 | 220-0285 | 220-0285 |
| 21 | 220-0289 | 220-0289 |



Alfresco
 SUPERIOR EQUIPMENT SOLUTIONS
 7039 EAST SLAUSON AVENUE
 COMMERCE, CA. 90040

THE INFORMATION CONTAINED IN THIS DRAWING IS THE SOLE PROPERTY OF SUPERIOR EQUIPMENT SOLUTIONS INC. ANY REPRODUCTION IN PART OR AS A WHOLE WITHOUT WRITTEN PERMISSION FROM SUPERIOR EQUIPMENT SOLUTIONS, INC. IS PROHIBITED.
DRAWN BY: N SILCOCK
CREATED: 2/29/2016 9:20:09 AM

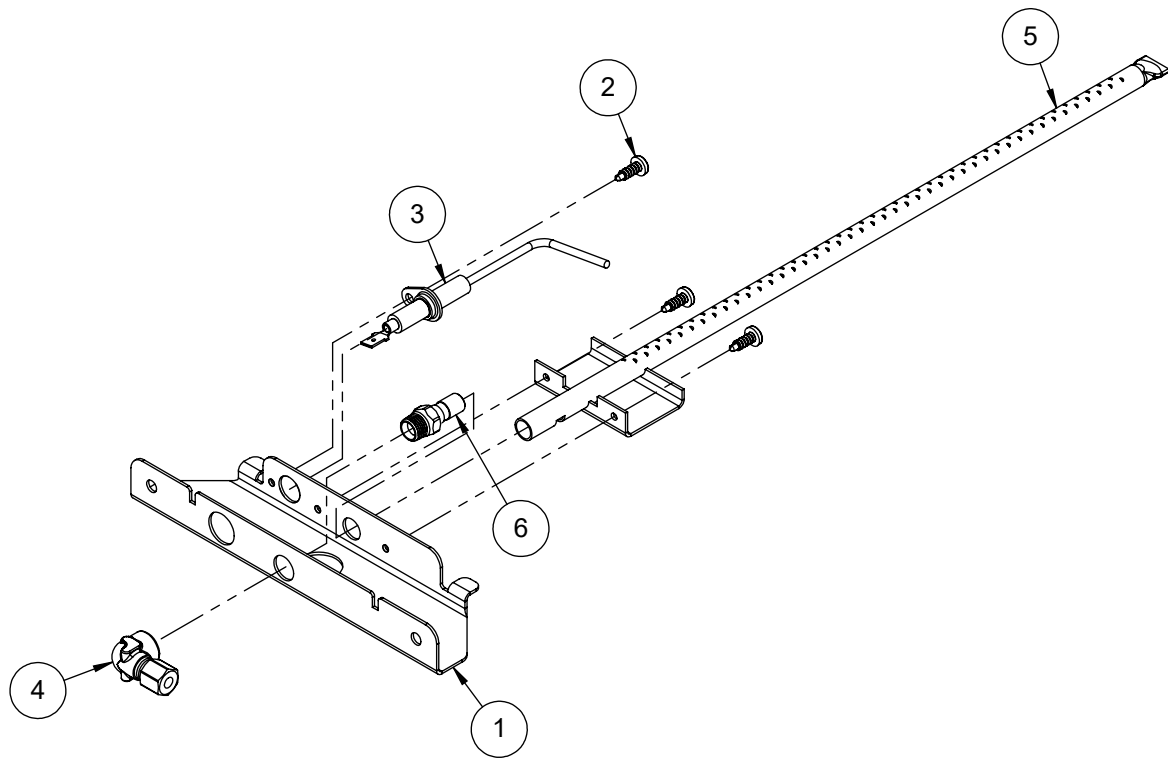
PROJECT TITLE:
ALXE-30 AND 30SZ
 DRAWING TITLE:
GAS MANIFOLD ASSEMBLY

DRAWING NO.: **510-100**
 SHEET 1 OF 1

| ITEM | PART NUMBER | DESCRIPTION | QTY |
|------|-------------|--------------------------------------|-----|
| 1 | 130-3019 | MOUNTING BRACKET | 1 |
| 2 | 200-0111 | SCREW 8-18 X 1/2 - SELF TAP - 410 SS | 3 |
| 3 | 210-0189 | ELECTRODE - "L" SHAPED - MAIN BURNER | 1 |
| 4 | 220-0273 | ELBOW 90° - 1/8" FPT x 3/16" COMP | 1 |
| 5 | 510-0504 | SMOKER BURNER ASSEMBLY | 1 |
| 6 | SEE NOTE | ORIFICE - SMOKER UNIT >>> SEE NOTE | 1 |

NOTE: ORIFICE OR VALVE ASSEMBLY TO CHANGE ACCORDING TO FUEL SUPPLY: NATURAL GAS OR LIQUID PROPANE

| ITEM | NG GAS | LP GAS |
|------|----------|--------|
| | PART # | PART # |
| 6 | 220-0468 | 220-03 |



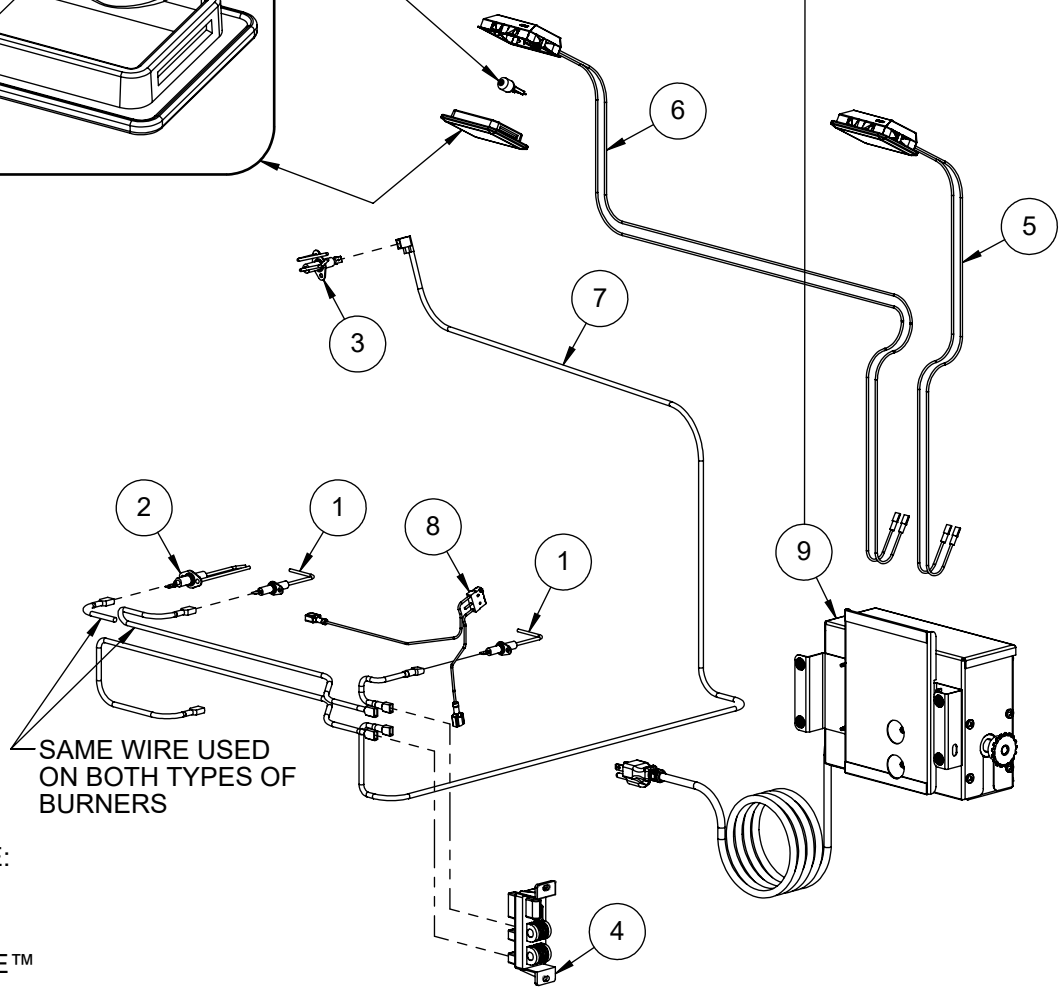
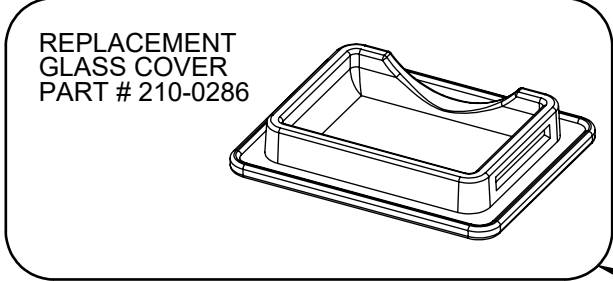
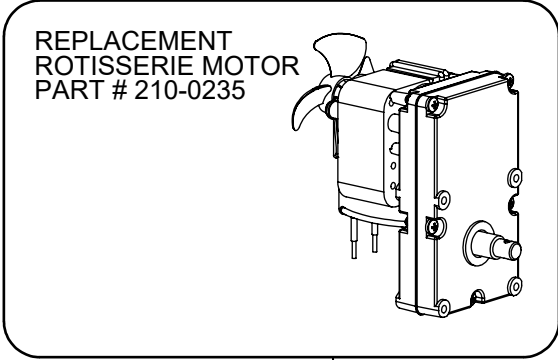
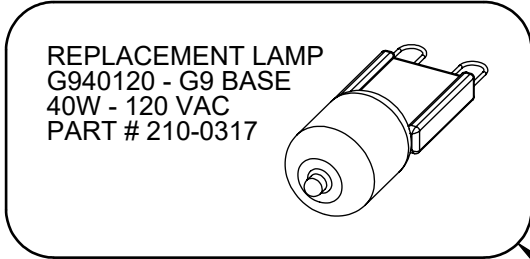
Alfresco
 SUPERIOR EQUIPMENT SOLUTIONS
 7039 EAST SLAUSON AVENUE
 COMMERCE, CA. 90040

THE INFORMATION CONTAINED IN THIS DRAWING IS THE SOLE PROPERTY OF SUPERIOR EQUIPMENT SOLUTIONS INC. ANY REPRODUCTION IN PART OR AS A WHOLE WITHOUT WRITTEN PERMISSION FROM SUPERIOR EQUIPMENT SOLUTIONS, INC. IS PROHIBITED.
DRAWN BY: N SILCOCK
CREATED: 2/29/2016 12:42:41 PM

PROJECT TITLE:
ALXE BARBECUES
DRAWING TITLE:
SMOKER BURNER ASSEMBLY

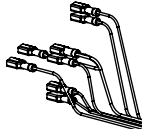
DRAWING NO.: 510-091
 SHEET 1 OF 1

| ITEM | PART NUMBER | DESCRIPTION | QTY |
|------|-------------|--|-----|
| 1 | 210-0189 | ELECTRODE - "L" SHAPED - U-BURNER / SMOKER | 2 |
| 2 | 210-0192 | ELECTRODE - DUAL TIP - SEARZONE™ | 1 |
| 3 | 210-0240 | ELECTRODE - DUAL TIP "L" SHAPE- ROTISSERIE | 1 |
| 4 | 210-0465 | IGNITER MODULE (4 POINTS) | 1 |
| 5 | 210-0509 | LAMP ASSEMBLY (32" WIRE LENGTH) | 1 |
| 6 | 210-0510 | LAMP ASSEMBLY (56" WIRE LENGTH) | 1 |
| 7 | 210-0520 | IGNITER WIRE KIT | 1 |
| 8 | 210-0626 | PERIMETER LIGHT SWITCH | 1 |
| 9 | 510-0514 | ROTISSERIE MOTOR BOX ASSEMBLY | 1 |

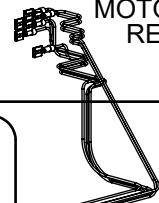


- LEFT BURNER ELECTRODE:
- 1 USED ON U-BURNER
 - 2 USED ON SEAR-ZONE™

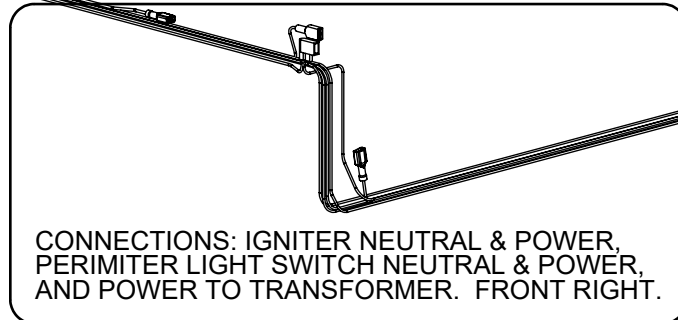
CONNECTIONS: NEUTRAL TO TRANSFORMER,
POWER TO TRANSFORMER AND IGNITER, LIGHTS
& ROTISSERIE. FRONT LEFT



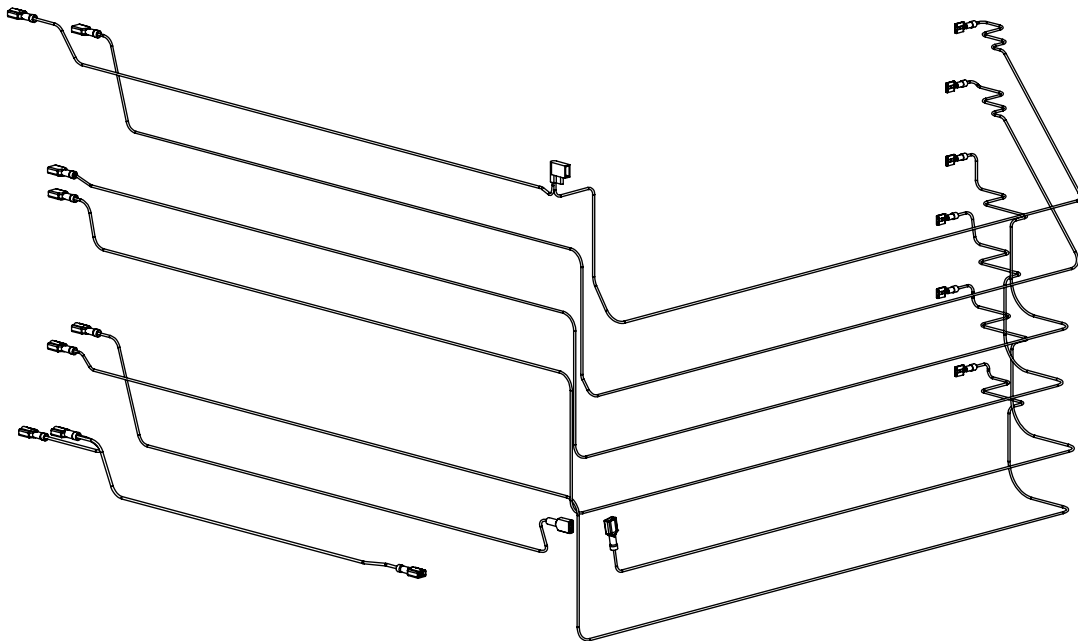
CONNECTIONS IN
MOTOR BOX AT
REAR RIGHT.



CONNECTIONS: IGNITER NEUTRAL & POWER,
PERIMETER LIGHT SWITCH NEUTRAL & POWER,
AND POWER TO TRANSFORMER. FRONT RIGHT.



WIRING HARNESS PART NUMBER 210-0598



EXPLODED VIEW OF WIRING HARNESS

NOTE: INDIVIDUAL WIRES ARE NOT SOLD SEPARATELY

Alfresco[™]

Open Air Culinary Systems

ALXE-30 PARTS MANUAL
ALFRESCO[™] GOURMET GRILLS
ALL RIGHTS RESERVED 03/2018