

This Owner's Manual is provided and hosted by [Appliance Factory Parts](#).



# Alfresco ARTP36 Owner's Manual

[Shop genuine replacement parts for Alfresco ARTP36](#)



[Find Your Alfresco Grill Parts - Select From 126 Models](#)

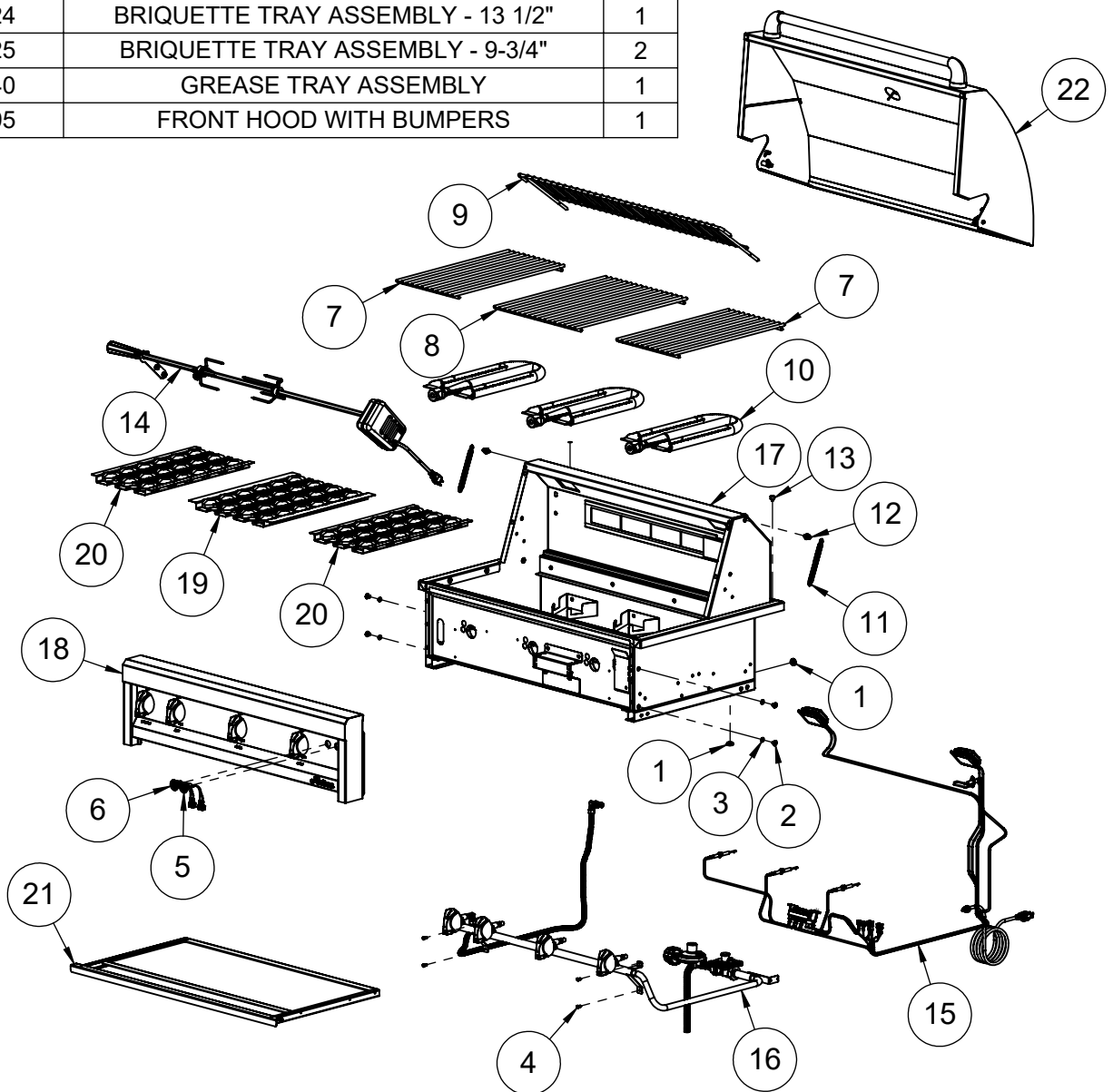
----- Manual continues below -----

# Artisan



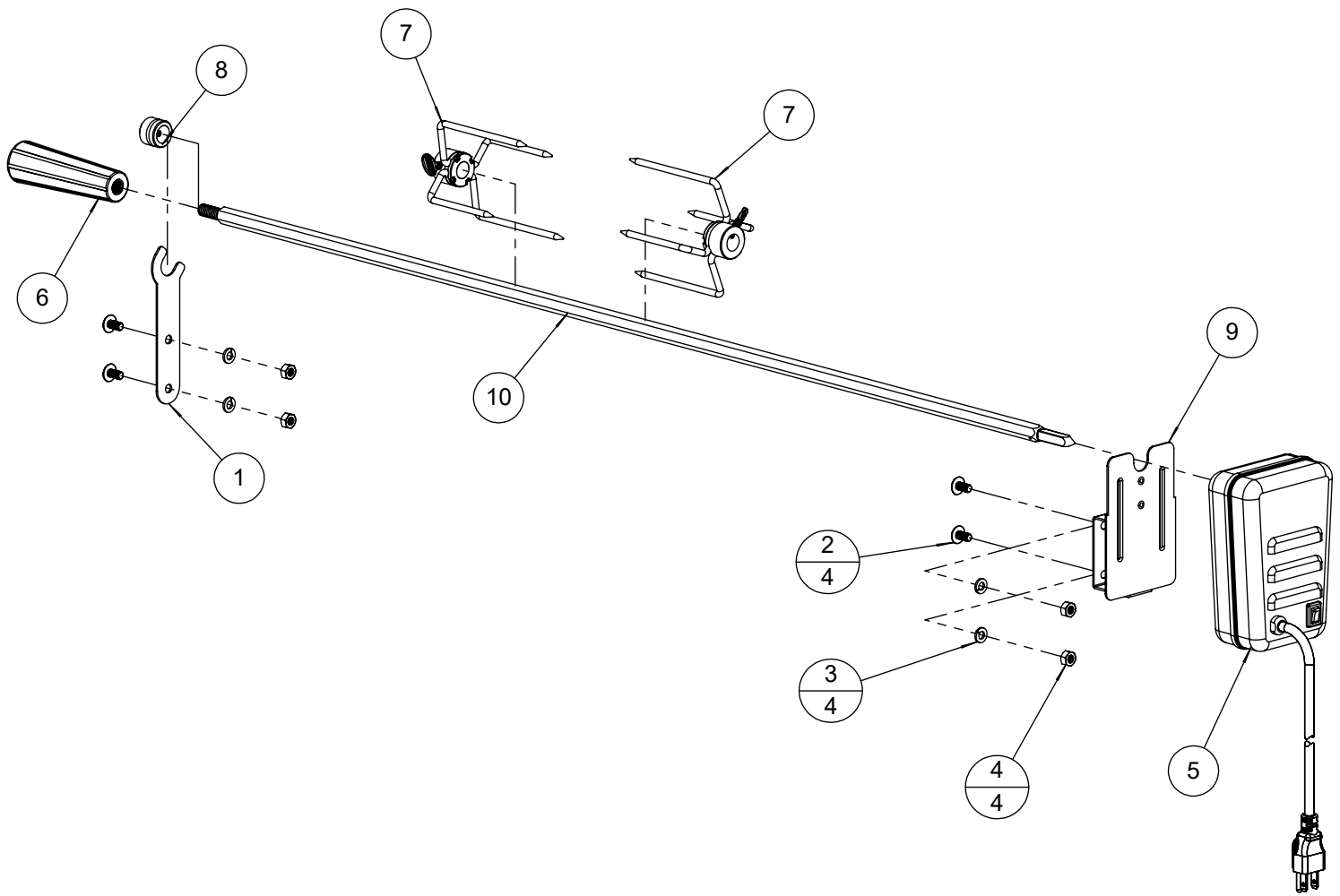
***ARTP-36 Parts Manual***  
***Serial Numbers 18-00000 forward***

ITEM	PART NUMBER	DESCRIPTION	QTY
1	200-0004	GROMMET 9/16" ID, 1/16" MAT'L, 7/16" ID	2
2	200-0086	1/4-20 X 3/8 - TRUSS HEAD - PHILIPS SCREW	4
3	200-0087	WASHER - 1/4" SPRING LOCK- REGULAR - SS	4
4	200-0111	SCREW 8-18 X 1/2 - SELF TAP - 410 SS	4
5	210-0583	SWITCH - IGNITION - MOMENTARY [ON]/OFF	1
6	210-0584	SWITCH - LIGHT - LATCHING [ON/OFF]	1
7	290-0323	BBQ GRID - 9.8125" WIDE	2
8	290-0324	BBQ GRID - 13.8125" WIDE	1
9	290-0354	WARMING GRID	1
10	290-0355	U-BURNER	3
11	290-0443	SPRING TEMPERED- .513 OD x 4.875 L	2
12	290-0447	HOOD SPRING LATCH	2
13	290-0469	BUMPER 1/2" Ø x 5/16" H - 600 °F	2
14	510-0552	ROTISSERIE KIT	1
15	510-0766	ELECTRICAL COMP. SEE PART DWG.	1
16	510-0767	GAS MANIFOLD - SEE PARTS DWG.	1
17	510-1011	MAIN BODY - SEE PARTS DWG.	1
18	510-1022	FRONT PANEL	1
19	510-1024	BRIQUETTE TRAY ASSEMBLY - 13 1/2"	1
20	510-1025	BRIQUETTE TRAY ASSEMBLY - 9-3/4"	2
21	510-1040	GREASE TRAY ASSEMBLY	1
22	510-1195	FRONT HOOD WITH BUMPERS	1



**BILL OF MATERIALS**

ITEM	PART N°	DESCRIPTION	QTY
1	100-2366	ROTISSERIE HOLDER BRACKET	1
2	200-0057	SCREW 1/4-20 X 1/2 - TRUSS HEAD - PHILLIPS	4
3	200-0087	WASHER - 1/4" SPRING LOCK- REGULAR - SS	4
4	200-0090	1/4-20 - DOUBLE CHAMFER - HEX NUT	4
5	210-0493	ROTISSERIE MOTOR	1
6	290-0330	ROTISSERIE SPEAR HANDLE	1
7	290-0331	ROTISSERIE FORK ASSEMBLY	2
8	290-0332	ROTISSERIRE BUSHING ASSEMBLY	1
9	290-0333	ROTISSERIE MOTOR MOUNT	1
10	290-0336	ROTISSERIE SPEAR 36"	1



A	ITEM NUMBER
B	QUANTITY

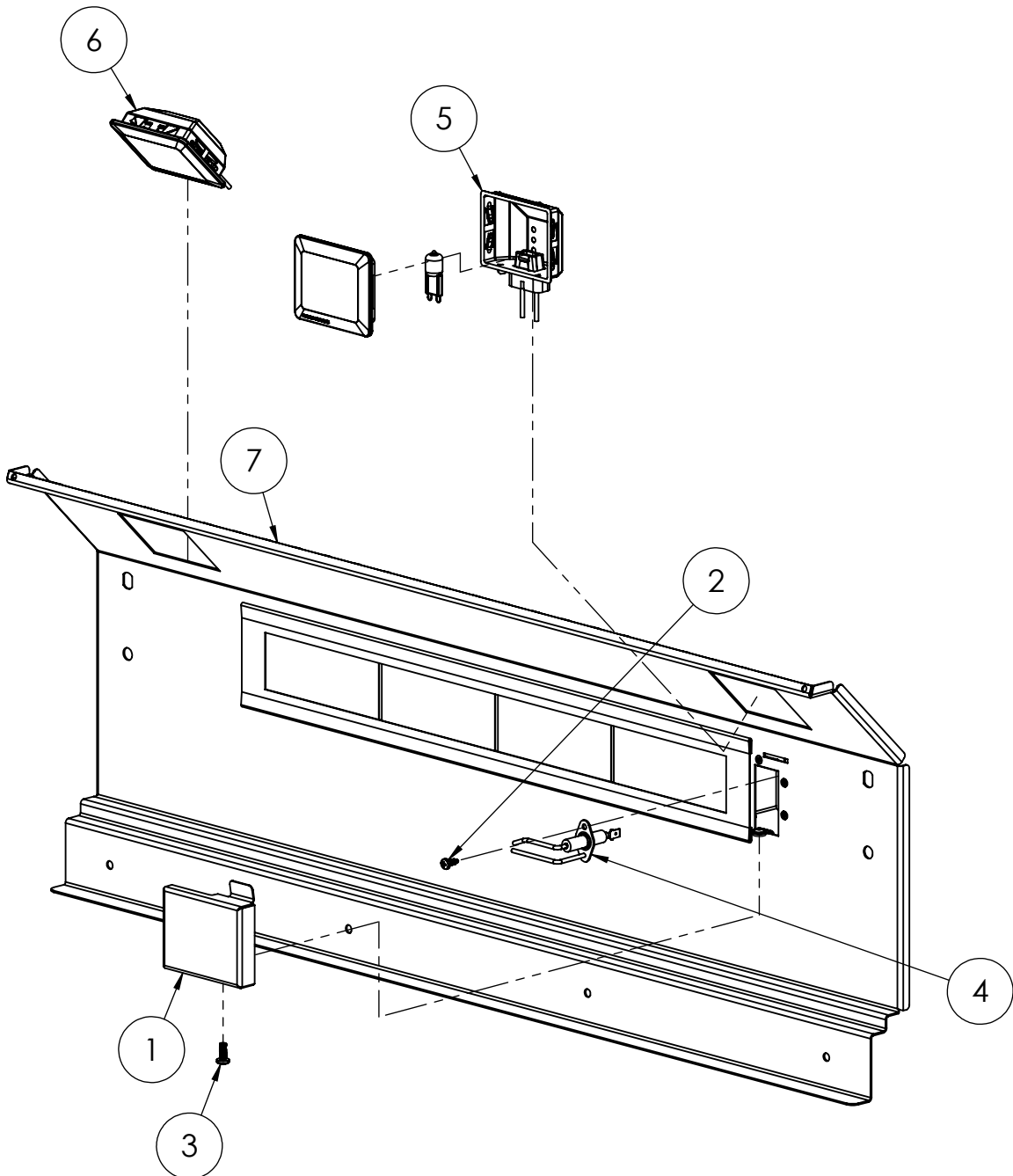
**Artisan**  
 SUPERIOR EQUIPMENT SOLUTIONS  
 7039 EAST SLAUSON AVENUE  
 COMMERCE, CA. 90040

THE INFORMATION CONTAINED IN THIS DRAWING IS THE SOLE PROPERTY OF SUPERIOR EQUIPMENT SOLUTIONS INC. ANY REPRODUCTION IN PART OR AS A WHOLE WITHOUT WRITTEN PERMISSION FROM SUPERIOR EQUIPMENT SOLUTIONS, INC. IS PROHIBITED.  
**DRAWN BY:** ADRIAN CRISCI  
**CREATED:** 6/30/2011 10:54:15 AM

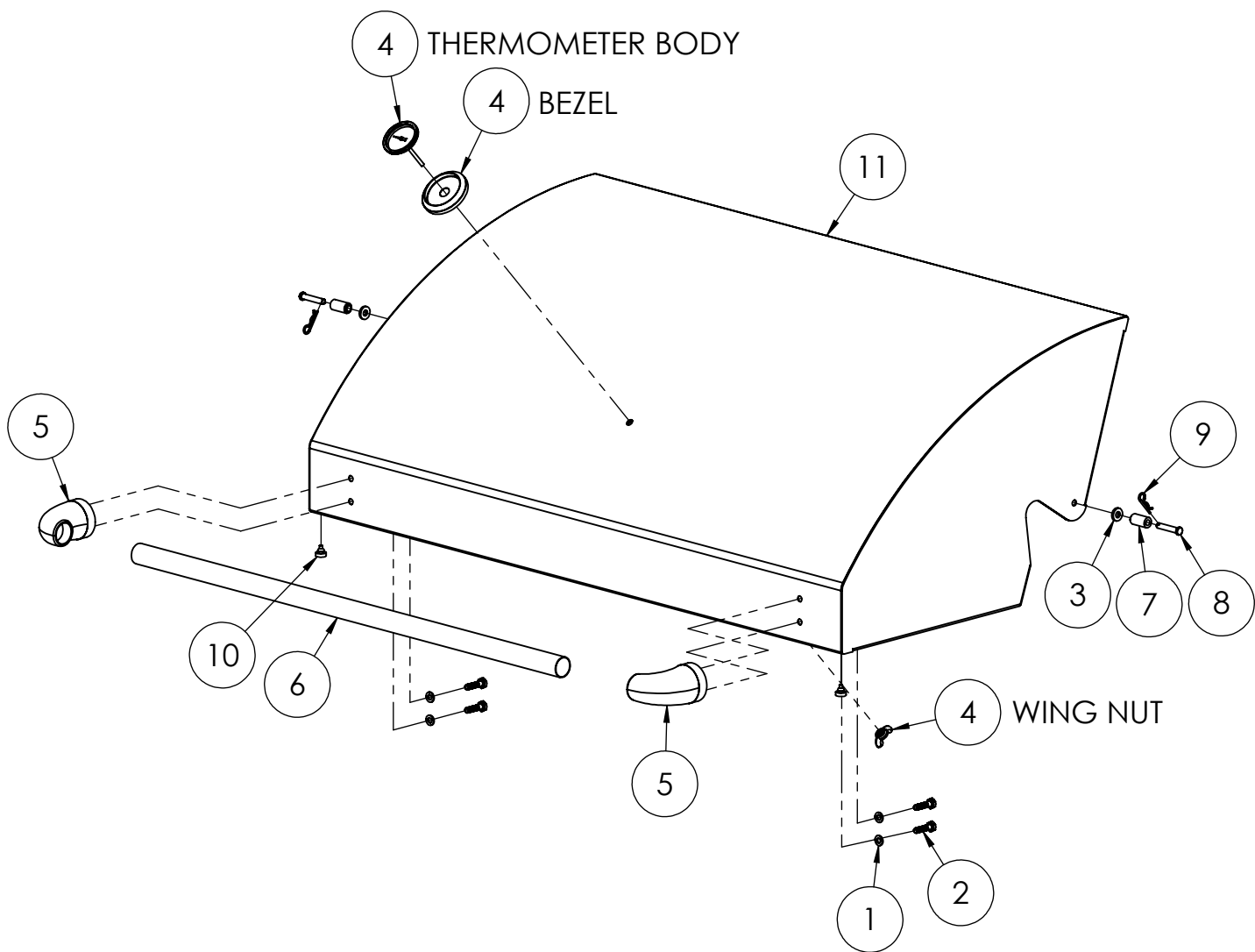
**PROJECT TITLE:**  
**ART2 GRILLS**  
**DRAWING TITLE:**  
**ROTISSERIE KIT**

**DRAWING NO.:**  
**510-055**  
**SHEET 1 C**

ITEM	PART NUMBER	DESCRIPTION	QTY
1	100-2363	ROTISSERIE ELECTRODE COVER	1
2	200-0111	SCREW 8-18 X 1/2 - SELF TAP - 410 SS	1
3	200-0267	10-32 X 1/2 - PAN HEAD - PHILLIPS SCREW	1
4	210-0240	ELECTRODE - DUAL TIP "L" SHAPE- ROTISSERIE	1
5	210-0488	LAMP FIXTURE ASSEMBLY - G9/120V/40W	1
6	210-0510	LAMP FIXTURE ASSEMBLY - G9/120V/40W	1
7	510-1226	ROTISSERIE PANEL - WELDED PARTS	1



ITEM	PART NUMBER	DESCRIPTION	QTY
1	200-0087	WASHER - 1/4" SPRING LOCK- REGULAR - SS	4
2	200-0091	HH- HD - 1/4-20 x 1 x .75 THREAD	4
3	200-0092	1/4 X 1/8 X 5/8 FLAT WASHER - SPACER	2
4	210-0490	THERMOMETER ASSEMBLY	1
5	290-0063	HANDLE - END CAP ASSEMBLY	2
6	290-0328	ARTISAN 36" BBQ - FRONT HOOD HANDLE BAR	1
7	290-0444	SPACER - 1/2" OD x 1/4" ID	2
8	290-0445	CLEVIS PIN - 1/4"Ø x 1-3/8	2
9	290-0448	COTTER PIN - HAIRPIN 1/4" ~ 3/8" Pin Ø x 1-1/4" L x 5/64" WIRE	2
10	290-0465	BUMPER 600°F 1/2" DIA x 5/32" HEAD	2
11	510-1196	FRONT HOOD - WELDED PARTS - W/BUMPER	1



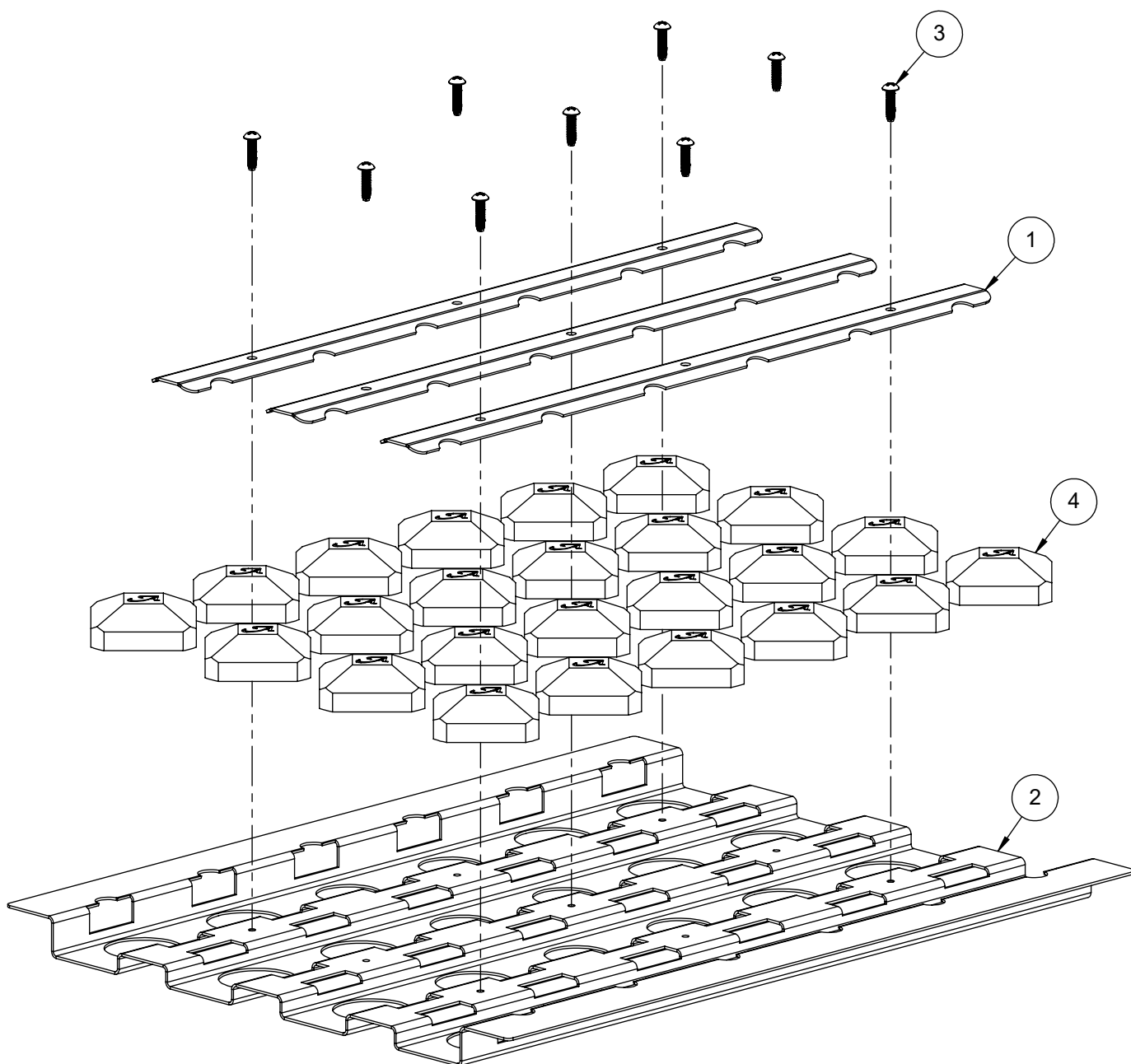
**Artisan**  
 SUPERIOR EQUIPMENT SOLUTIONS  
 7039 EAST SLAUSON AVENUE  
 COMMERCE, CA. 90040

THE INFORMATION CONTAINED IN THIS DRAWING IS THE SOLE PROPERTY OF SUPERIOR EQUIPMENT SOLUTIONS INC. ANY REPRODUCTION IN PART OR AS A WHOLE WITHOUT WRITTEN PERMISSION FROM SUPERIOR EQUIPMENT SOLUTIONS, INC. IS PROHIBITED.  
**DRAWN BY:** N SILCOCK  
**CREATED:** 5/10/2018 3:15:33 PM

**PROJECT TITLE:**  
**ARTP-36**  
**DRAWING TITLE:**  
**FRONT HOOD WITH BUMPERS**

**DRAWING NO.:**  
**510-119**  
**SHEET 1 C**

ITEM	PART NUMBER	DESCRIPTION	QTY
1	100-1895	BRIQUETTE LOCK BAR	3
2	100-2668	BRIQUETTE TRAY BASE - 13 1/2" WIDE	1
3	200-0314	SCREW 8-32 x 5/8", PAN HEAD, PHILLIPS THREAD CUTTER TYPE F	9
4	265-0005	CERAMIC BRIQUETTE W/ LOGO	24



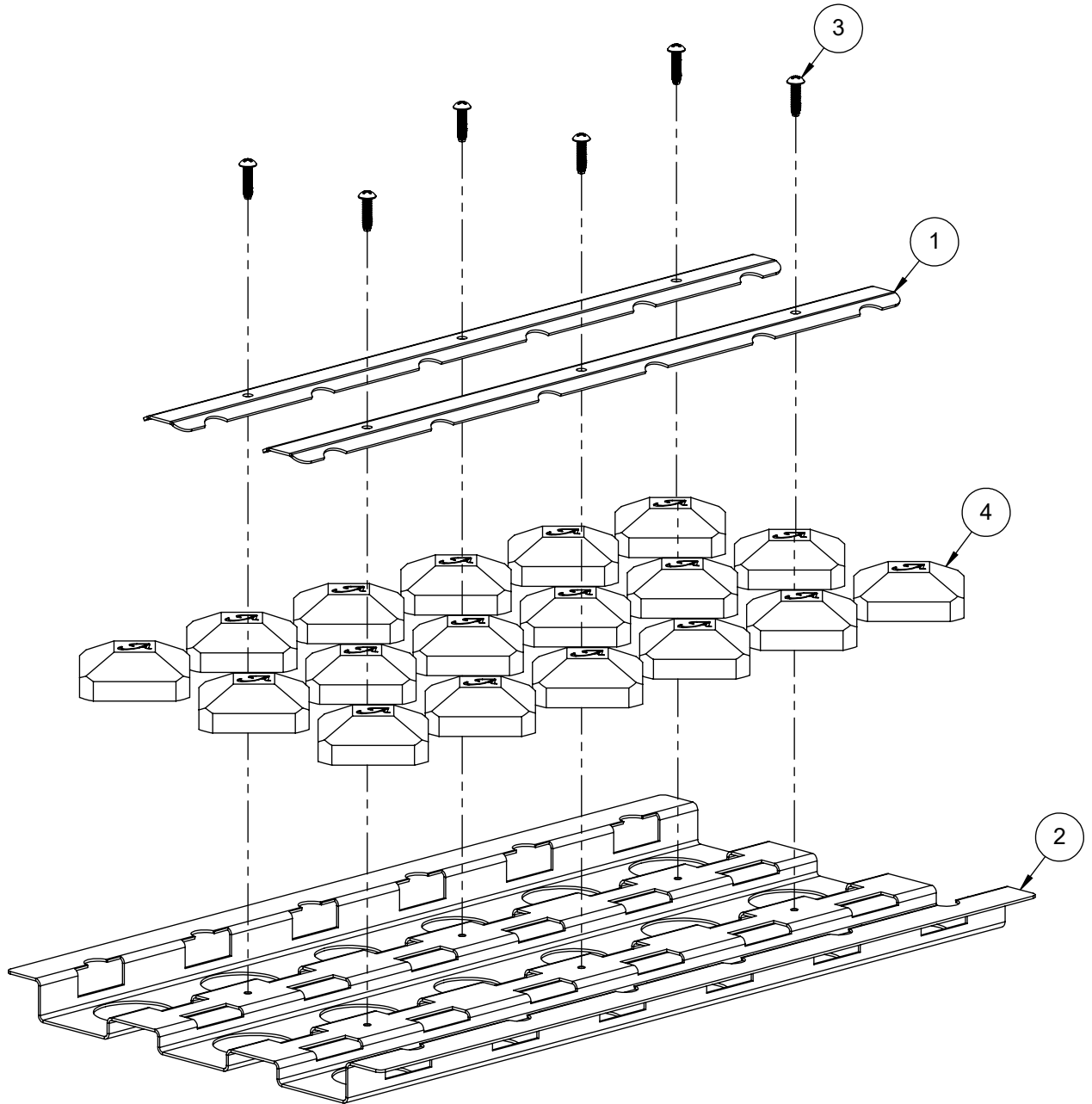
**Artisan**  
 SUPERIOR EQUIPMENT SOLUTIONS  
 7039 EAST SLAUSON AVENUE  
 COMMERCE, CA. 90040

THE INFORMATION CONTAINED IN THIS DRAWING IS THE SOLE PROPERTY OF SUPERIOR EQUIPMENT SOLUTIONS INC. ANY REPRODUCTION IN PART OR AS A WHOLE WITHOUT WRITTEN PERMISSION FROM SUPERIOR EQUIPMENT SOLUTIONS, INC. IS PROHIBITED.  
**DRAWN BY:** N SILCOCK  
**CREATED:** 8/9/2016 2:27:41 PM

**PROJECT TITLE:**  
**ARTP BARBECUES**  
**DRAWING TITLE:**  
**BRIQUETTE TRAY ASSEMBLY - 13 1/2"**

**DRAWING NO.:**  
**510-102**  
**SHEET 1 C**

ITEM	PART NUMBER	DESCRIPTION	QTY
1	100-1895	BRIQUETTE LOCK BAR	2
2	100-2669	BRIQUETTE TRAY BASE - 9-5/8" WIDE	1
3	200-0314	SCREW 8-32 x 5/8", PAN HEAD, PHILLIPS THREAD CUTTER TYPE F	6
4	265-0005	CERAMIC BRIQUETTE W/ LOGO	18



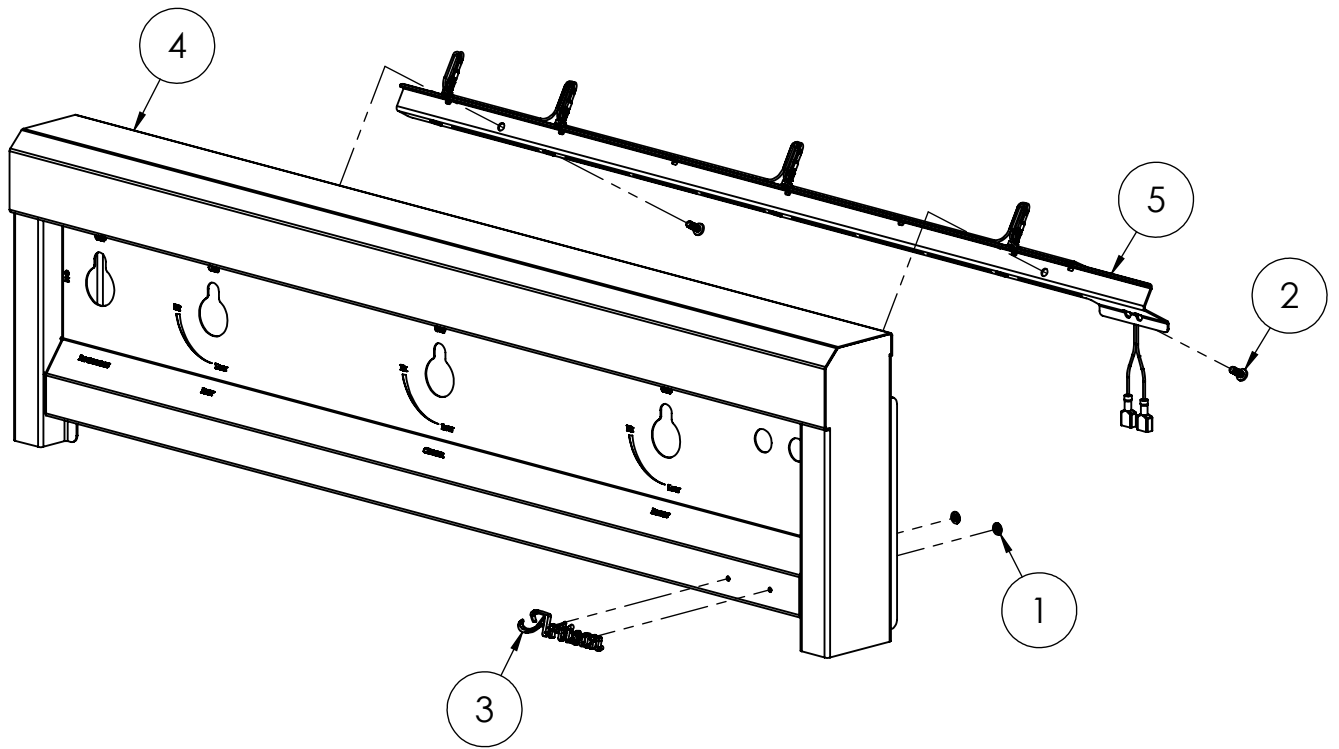
**Artisan**  
 SUPERIOR EQUIPMENT SOLUTIONS  
 7039 EAST SLAUSON AVENUE  
 COMMERCE, CA. 90040

THE INFORMATION CONTAINED IN THIS DRAWING IS THE SOLE PROPERTY OF SUPERIOR EQUIPMENT SOLUTIONS INC. ANY REPRODUCTION IN PART OR AS A WHOLE WITHOUT WRITTEN PERMISSION FROM SUPERIOR EQUIPMENT SOLUTIONS, INC. IS PROHIBITED.  
**DRAWN BY:** N SILCOCK  
**CREATED:** 8/10/2016 6:24:09 AM

**PROJECT TITLE:**  
**AAEP BARBECUES**  
**DRAWING TITLE:**  
**BRIQUETTE TRAY ASSEMBLY - 9-3/4"**

**DRAWING NO.:**  
**510-102**  
**SHEET 1 OF 1**

ITEM	PART NUMBER	DESCRIPTION	QTY
1	200-0093	WASHER - PUSH LOCK 1/8" ID X 3/8" OD (LOGO)	2
2	200-0267	10-32 X 1/2 - PAN HEAD - PHILLIPS SCREW	2
3	290-0356	ARTISAN LOGO	1
4	510-1023	FRONT PANEL - WELDED PARTS	1
5	510-1028	FRONT PANEL - LIGHT ASSEMBLY	1



**Artisan**  
 SUPERIOR EQUIPMENT SOLUTIONS  
 7039 EAST SLAUSON AVENUE  
 COMMERCE, CA. 90040

THE INFORMATION CONTAINED IN THIS DRAWING IS THE SOLE PROPERTY OF SUPERIOR EQUIPMENT SOLUTIONS INC. ANY REPRODUCTION IN PART OR AS A WHOLE WITHOUT WRITTEN PERMISSION FROM SUPERIOR EQUIPMENT SOLUTIONS, INC. IS PROHIBITED.

**DRAWN BY:** N SILCOCK  
**CREATED:** 5/11/2018 9:18:43 AM

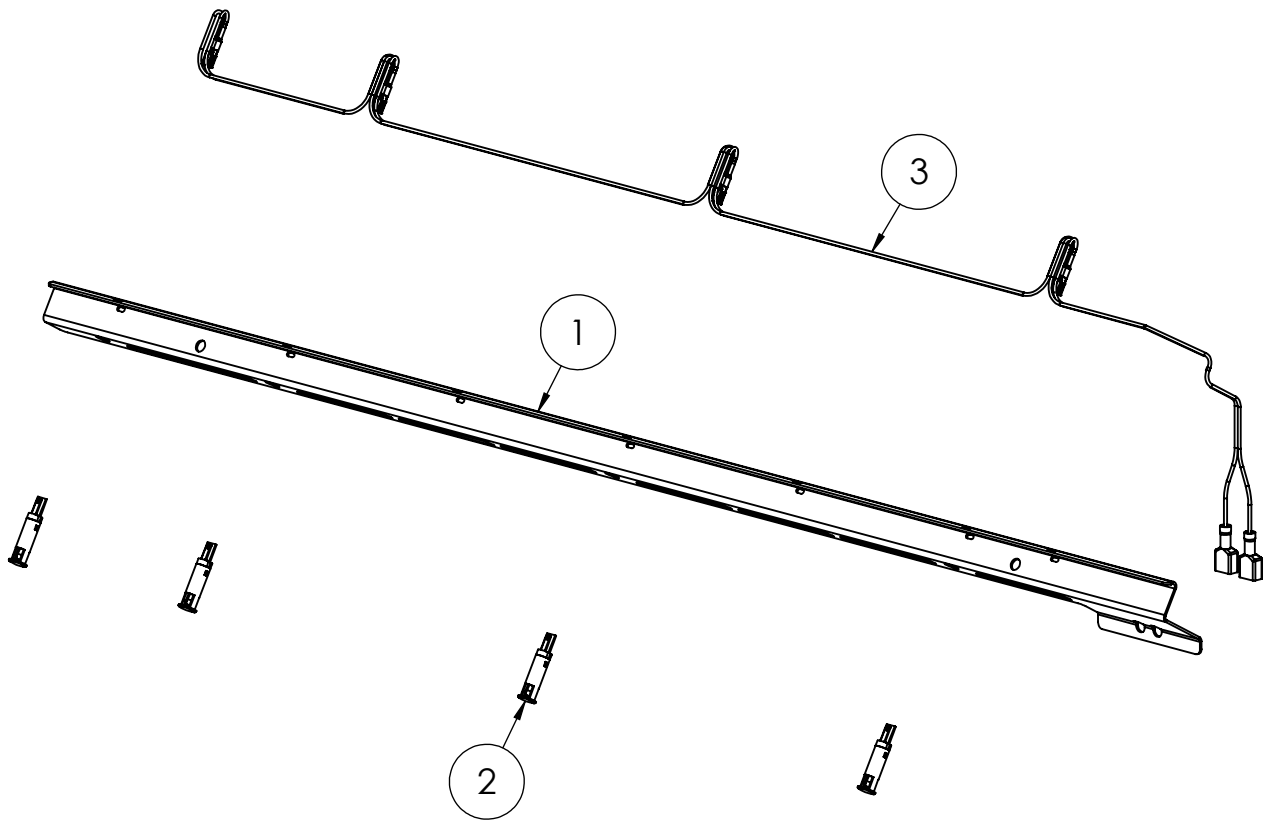
**PROJECT TITLE:**  
**ARTP-36**

**DRAWING TITLE:**  
**FRONT PANEL**

**DRAWING NO.:**  
**510-102**

**SHEET 1 C**

ITEM	PART NUMBER	DESCRIPTION	QTY
1	100-2670	FRONT PANEL LIGHT BRACKET	1
2	210-0624	Pilot Light - Blue LED, 8mm Ø, 110 VAC	4
3	210-0629	FRONT PANEL LIGHTING HARNESS	1



**Artisan**  
 SUPERIOR EQUIPMENT SOLUTIONS  
 7039 EAST SLAUSON AVENUE  
 COMMERCE, CA. 90040

THE INFORMATION CONTAINED IN THIS DRAWING IS THE SOLE PROPERTY OF SUPERIOR EQUIPMENT SOLUTIONS INC. ANY REPRODUCTION IN PART OR AS A WHOLE WITHOUT WRITTEN PERMISSION FROM SUPERIOR EQUIPMENT SOLUTIONS, INC. IS PROHIBITED.

**DRAWN BY:** N SILCOCK  
**CREATED:** 5/11/2018 11:25:21 AM

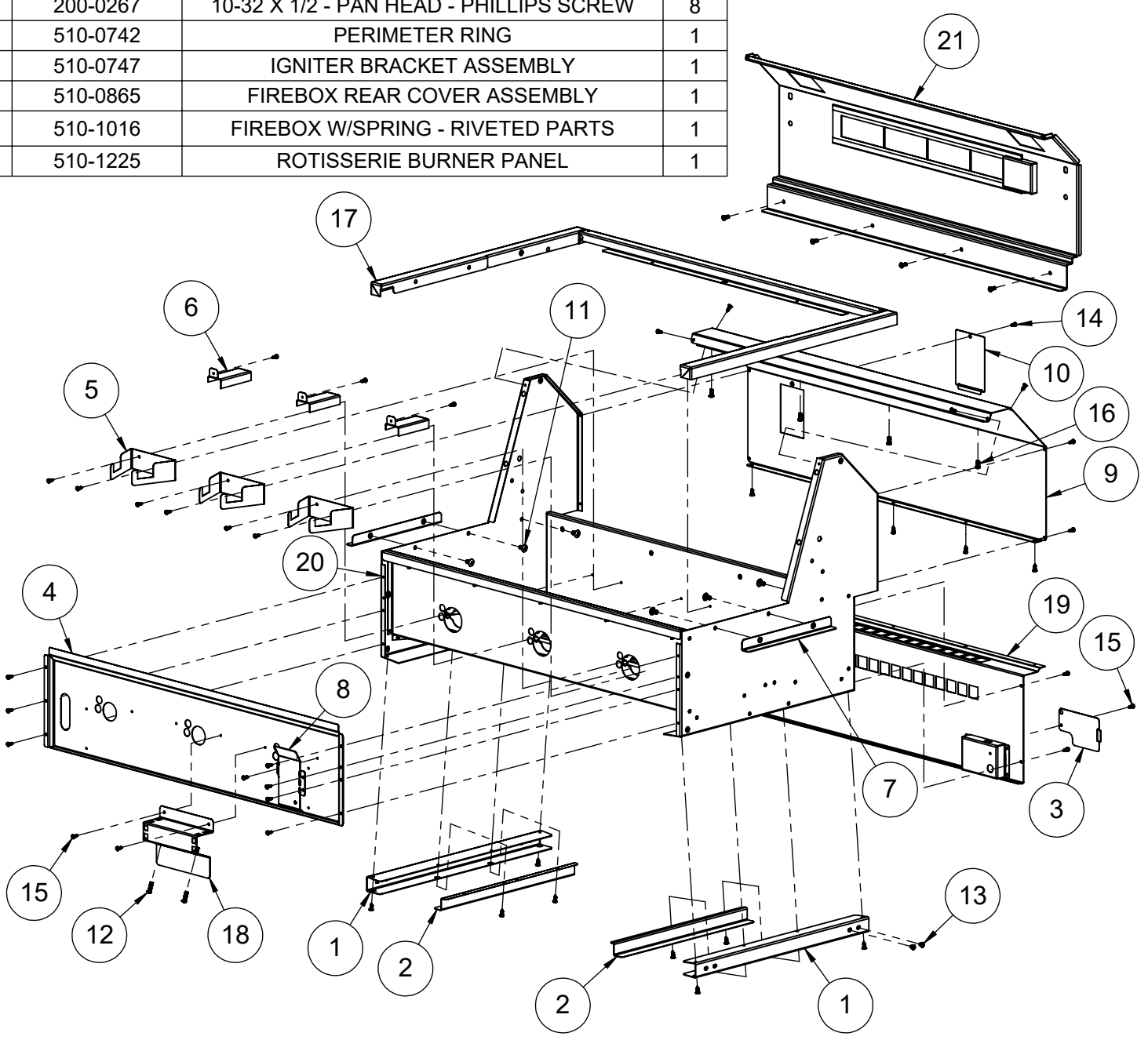
**PROJECT TITLE:**  
**ARTP-36**

**DRAWING TITLE:**  
**FRONT PANEL - LIGHT ASSEMBLY**

**DRAWING NO.:**  
**510-102**

SHEET 1 OF 1

ITEM	PART NUMBER	DESCRIPTION	QTY
1	100-2024	FIREBOX TRAY SLIDE PART-A	2
2	100-2025	FIREBOX TRAY SLIDE PART-B	2
3	100-2370	ELECTRICAL BOX COVER	1
4	100-2372	FIREWALL	1
5	100-2373	BURNER BRACKET	3
6	100-2374	IGNITER COVER - STANDARD	3
7	100-2378	PERIMETER RING BRACKET	2
8	100-2666	BUTTONS SHIELD - BRACKET	1
9	150-2334	BACK HOOD - REAR COVER	1
10	150-2335	IR ORIFICE ACCESS COVER	1
11	200-0057	SCREW 1/4-20 X 1/2 - TRUSS HEAD - PHILLIPS	6
12	200-0062	10-32 X 3/4 - PAN HEAD - PHILLIPS SCREW	2
13	200-0082	10-32 X 1/4 - PAN HEAD - PHILIPS SCREW	2
14	200-0100	SCREW 8-32 X 3/8" - PAN HEAD - PHILIPS - SS	1
15	200-0111	SCREW 8-18 X 1/2 - SELF TAP - 410 SS	48
16	200-0267	10-32 X 1/2 - PAN HEAD - PHILLIPS SCREW	8
17	510-0742	PERIMETER RING	1
18	510-0747	IGNITER BRACKET ASSEMBLY	1
19	510-0865	FIREBOX REAR COVER ASSEMBLY	1
20	510-1016	FIREBOX W/SPRING - RIVETED PARTS	1
21	510-1225	ROTISSERIE BURNER PANEL	1



**Artisan**  
 SUPERIOR EQUIPMENT SOLUTIONS  
 7039 EAST SLAUSON AVENUE  
 COMMERCE, CA. 90040

THE INFORMATION CONTAINED IN THIS DRAWING IS THE SOLE PROPERTY OF SUPERIOR EQUIPMENT SOLUTIONS INC. ANY REPRODUCTION IN PART OR AS A WHOLE WITHOUT WRITTEN PERMISSION FROM SUPERIOR EQUIPMENT SOLUTIONS, INC. IS PROHIBITED.  
**DRAWN BY:** N SILCOCK  
**CREATED:** 5/11/2018 1:02:41 PM

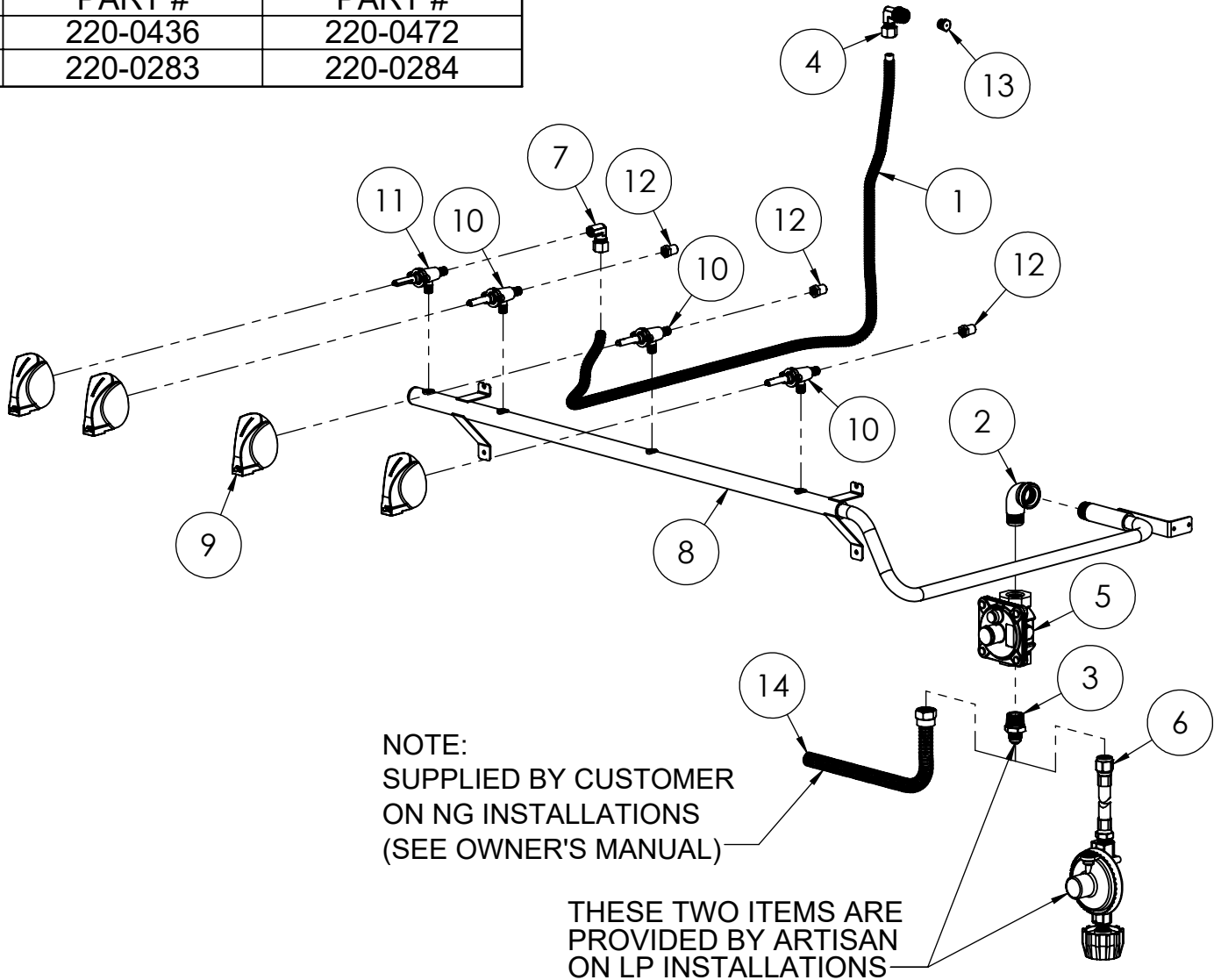
**PROJECT TITLE:**  
 ARTP-36  
**DRAWING TITLE:**  
 MAIN BODY

**DRAWING NO.:**  
 510-101  
**SHEET 1 C**

ITEM	PART NUMBER	DESCRIPTION	QTY
1	100-1949	ROTISSERIE LINE - 36" L x 3/8" ID	1
2	200-0274	ELBOW 90° - CAST IRON - 1/2" FPT x 1/2" MPT	1
3	220-0275	NIPPLE - 1/2" MPT X 3/8" OD FL	1
4	220-0276	ELBOW .375 MPT x .375 COMP	1
5	220-0280	REGULATOR GAS - MAXITROL RV48CL440002	1
6	220-0301	REGULATOR - LP GAS W/36" HOSE - CONN. GREEN	1
7	220-0399	ELBOW 1/8-27 FPT x 3/8" Ø COMPRESSION	1
8	220-0431	GAS MANIFOLD	1
9	290-0030	KNOB BBQ - ALFRESCO "A" LETTER	4
10	290-0320	GAS VALVE - 1/8-27 MPT X 1/8-27 NPTS	3
11	290-0321	VALVE - GAS - [ON/OFF] FLOW - 1/8-27 MPT X 1/8-27 NPTS	1
12	SEE NOTE	ORIFICE - MAIN BURNER - (SEE NOTE FOR SIZING)	3
13	SEE NOTE	ORIFICE - IR ROTISSERIE UNIT (SEE NOTE FOR SIZING)	1
14	SEE NOTE	1/2" ODF - FLEX SS GAS LINE (BY CUSTOMER)	1

**NOTE: ORIFICE OR VALVE ASSEMBLY TO CHANGE ACCORDING TO FUEL SUPPLY: NATURAL GAS OR LIQUID PROPANE.**

ITEM	NG	LP
	PART #	PART #
12	220-0436	220-0472
13	220-0283	220-0284



ITEM	PART NUMBER	DESCRIPTION	QTY.
1	200-0009	HEYCO STRESS RELIEF BUSHING # 1200 SR 6N3-4	1
2	210-0240	ELECTRODE - DUAL TIP "L" SHAPE- ROTISSERIE	1
3	210-0287	BLACK POWER SUPPLY CORD 125V 15A 14/3 X 8FT LONG	1
4	210-0465	IGNITER MODULE (4 POINTS)	1
5	210-0488	LAMP FIXTURE ASSEMBLY - G9/120V/40W	1
6	210-0491	U-BURNER ELECTRODE TIP	3
7	210-0510	LAMP FIXTURE ASSEMBLY - G9/120V/40W	1
8	210-0541	IGNITER WIRE KIT	1
9	210-0640	HARNESS	1

