

This Owner's Manual is provided and hosted by [Appliance Factory Parts](#).



Monessen Hearth ODCOUG-36PH Owner's Manual

[Shop genuine replacement parts for Monessen Hearth
ODCOUG-36PH](#)



[Find Your Monessen Hearth Fireplace Parts - Select From 701 Models](#)

----- Manual continues below -----

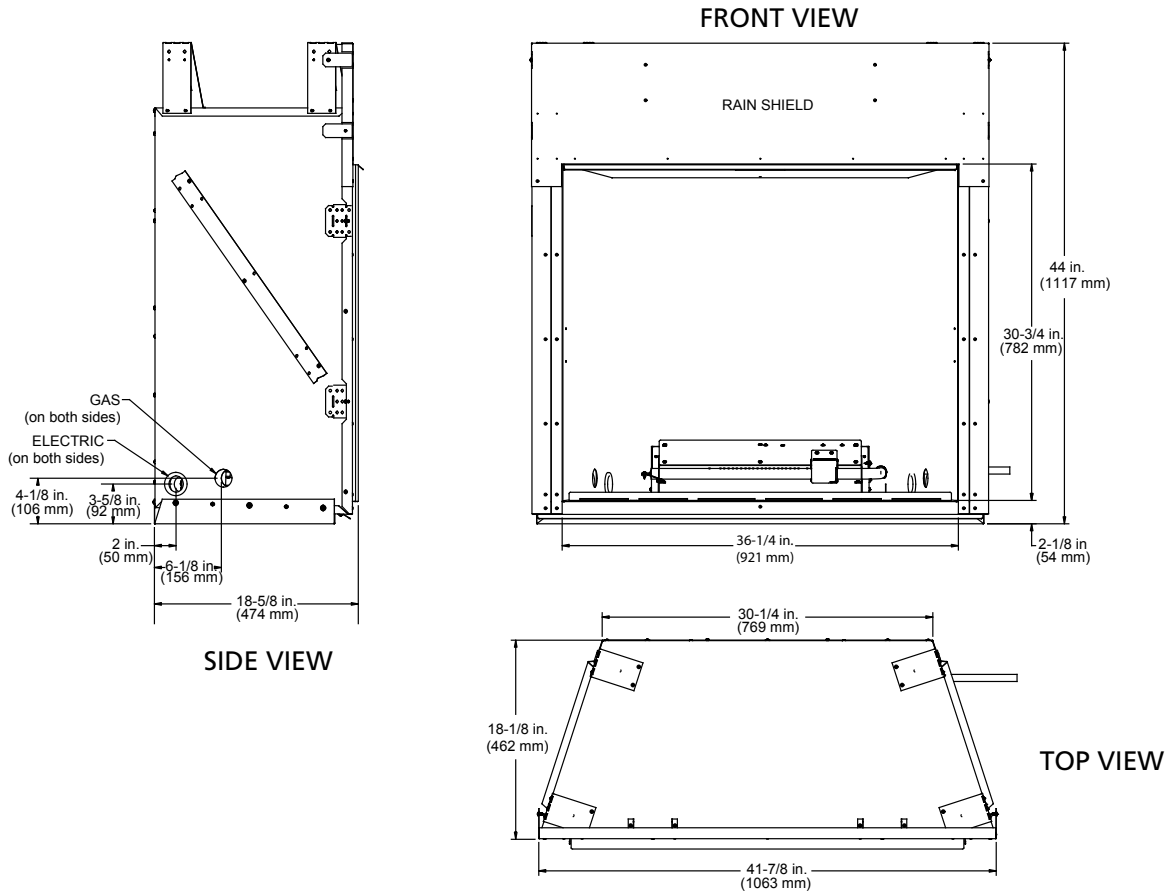


Please consult the manufacturer's installation manual for all details and requirements before making a final design layout decision.

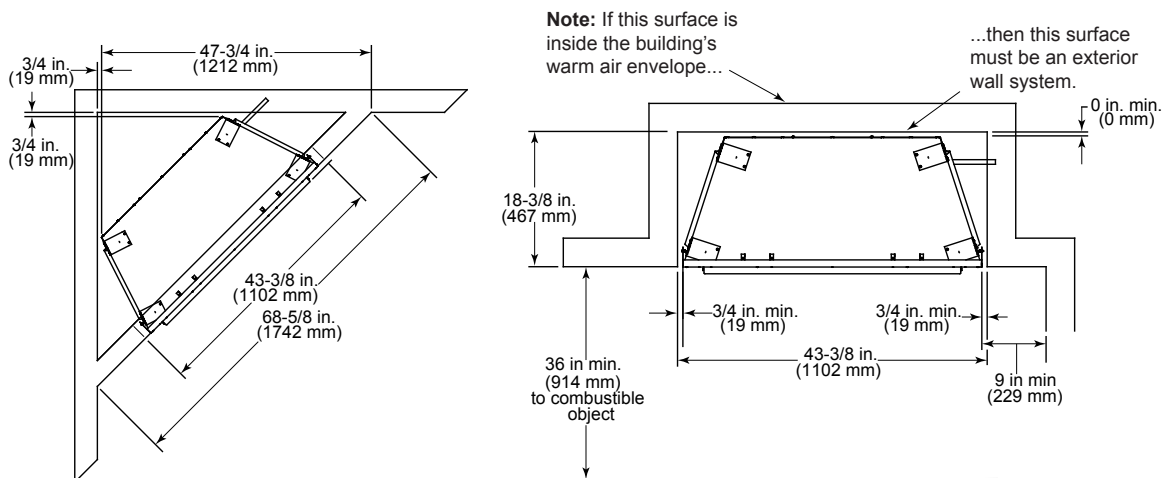
Courtyard 36

Outdoor Gas Fireplace

| MODEL | FRONT WIDTH | | BACK WIDTH | | HEIGHT | | DEPTH | | VIEWING AREA |
|-----------|---------------------|---------------------|--------------------|---------------------|-----------------|---------------------|--------------------|--------------------|--------------------------------------|
| | Actual | Framing | Actual | Framing | Actual | Framing | Actual | Framing | |
| ODCOUG-36 | 41-7/8" (1063mm) | 43-3/8" (1102mm) | 30-1/4" (769mm) | 43-3/8" (1102mm) | 44" (1117mm) | 44-1/8" (1121mm) | 18-1/8" (462mm) | 18-3/8" (467mm) | 36-1/4" x 30-3/4" (921mm x 782mm) |

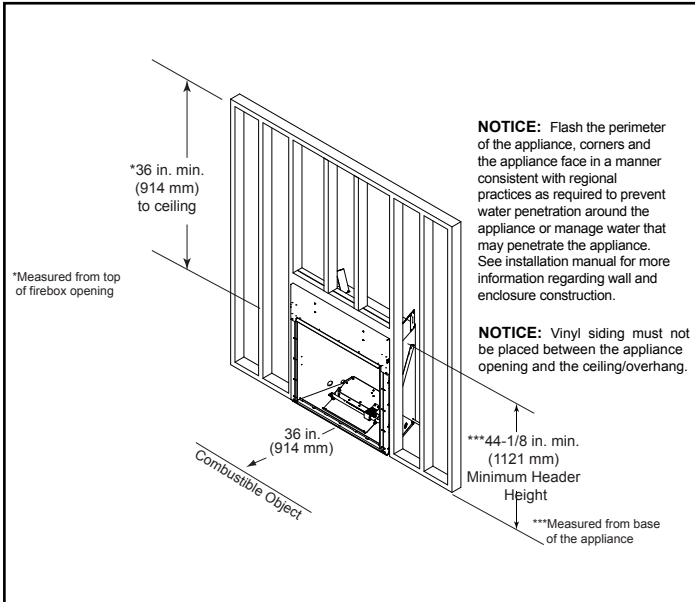


APPLIANCE LOCATIONS

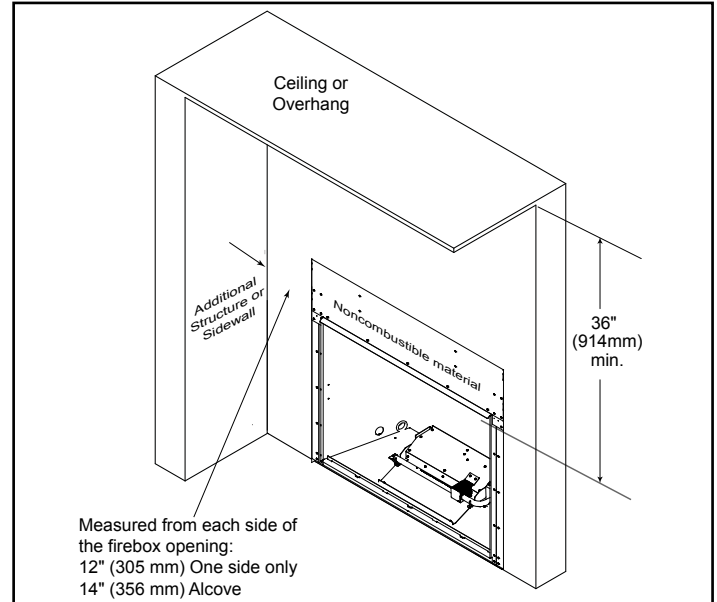


NOTICE: Illustrations reflect typical installations and are **FOR DESIGN PURPOSES ONLY**. Illustrations/diagrams are not drawn to scale. Actual installation may vary due to individual design preference.

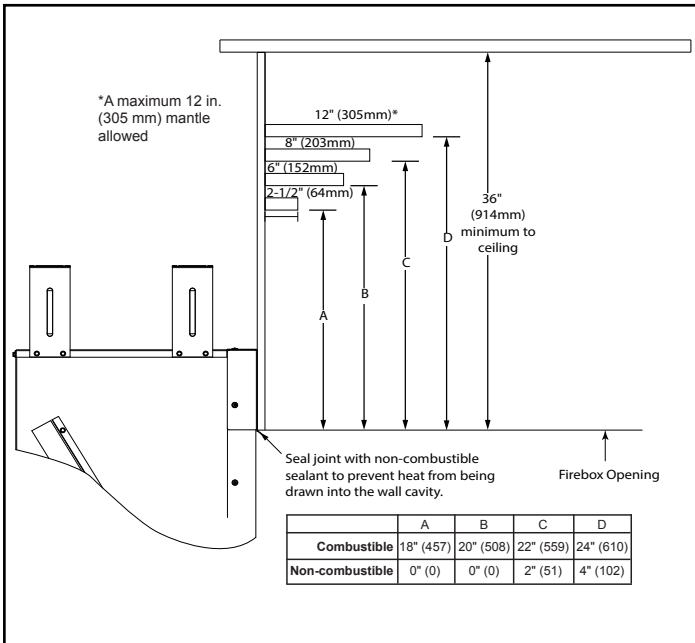
FRAMING DIMENSIONS



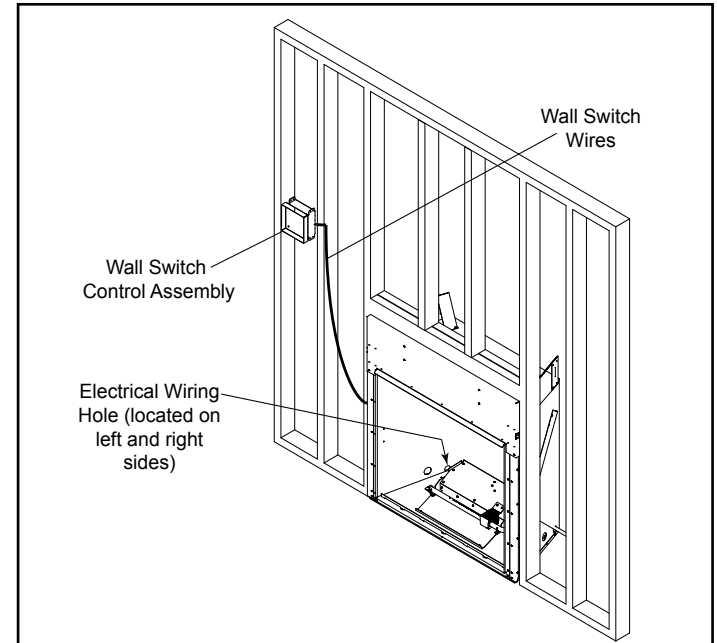
CLEARANCES TO COMBUSTIBLES



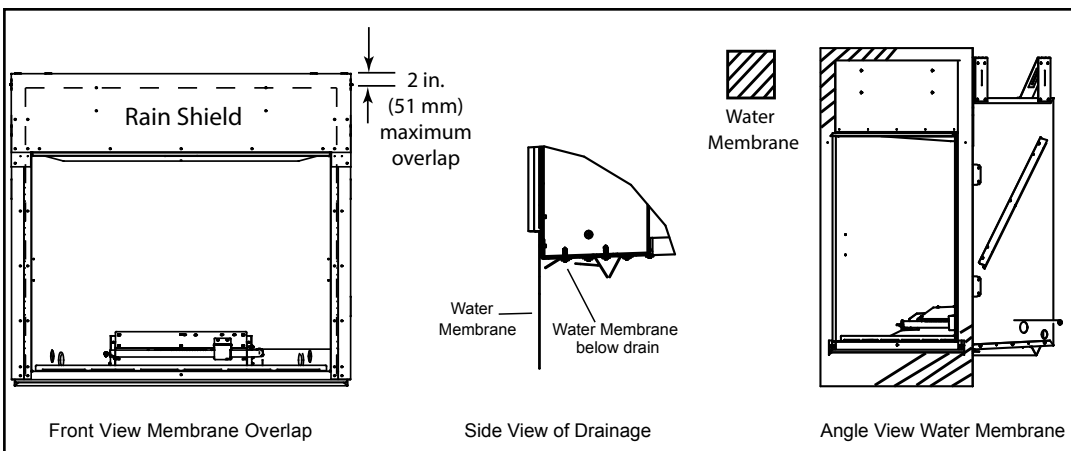
MANTEL PROJECTIONS



WALL SWITCH LOCATION



MOISTURE RESISTANCE



| PRODUCT LISTING CODES | |
|-----------------------|------------------|
| US | ANSI Z21.97-2014 |
| CAN | CSA 2.41-2014 |

Additional information can be found online at www.fireplaces.com.

Product information provided is not complete and is subject to change without notice. Product installation must adhere strictly to instructions accompanying product to avoid risk of fire and potential injury.