

This Owner's Manual is provided and hosted by [Appliance Factory Parts](#).



# Monessen Hearth ODCOUG-42T Owner's Manual

[Shop genuine replacement parts for Monessen Hearth  
ODCOUG-42T](#)



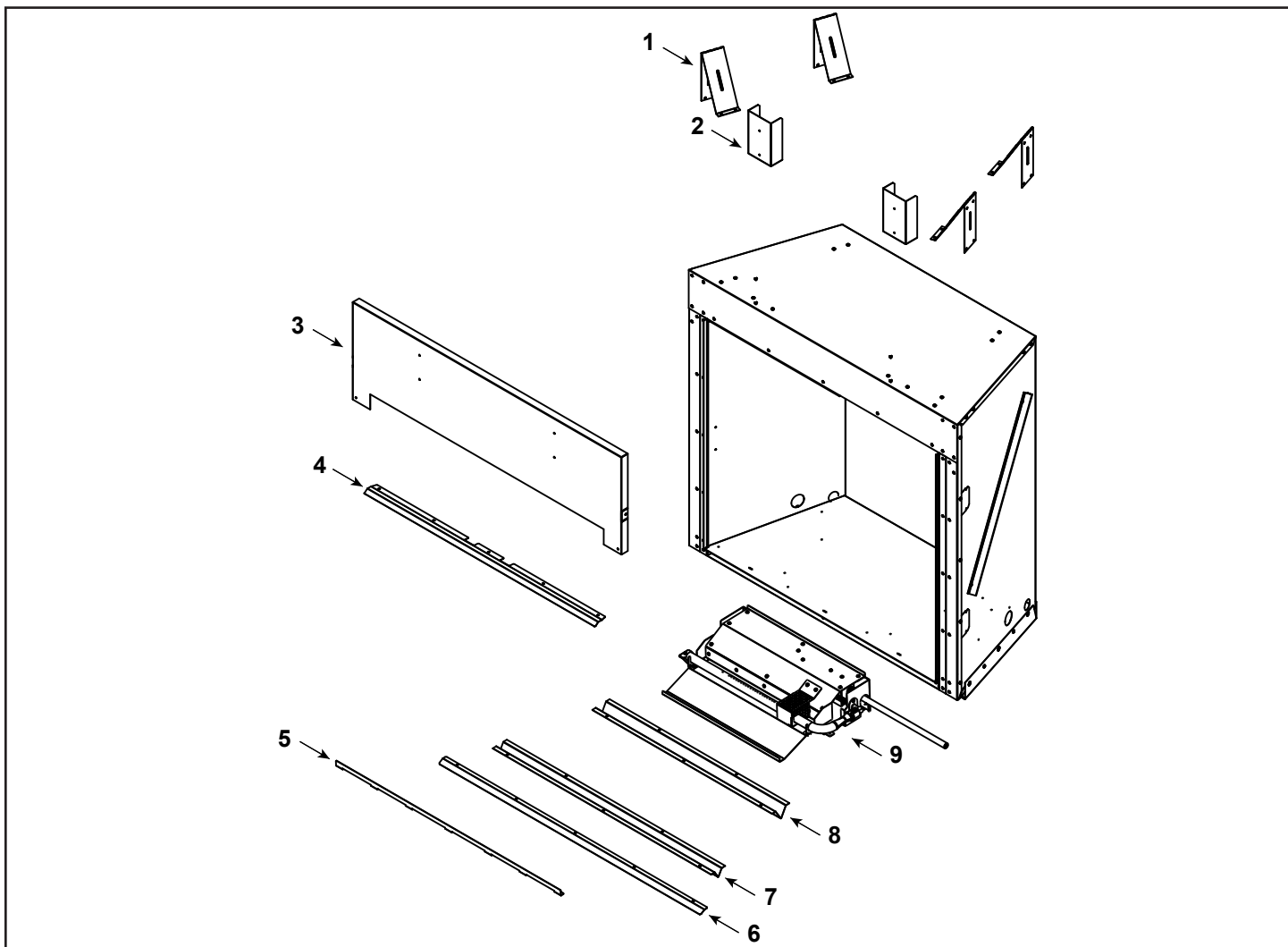
[Find Your Monessen Hearth Fireplace Parts - Select From 701 Models](#)

----- Manual continues below -----

**ODCOUG-42T**

**ODCOUG-42PT**

**ODCOUG-42PH**



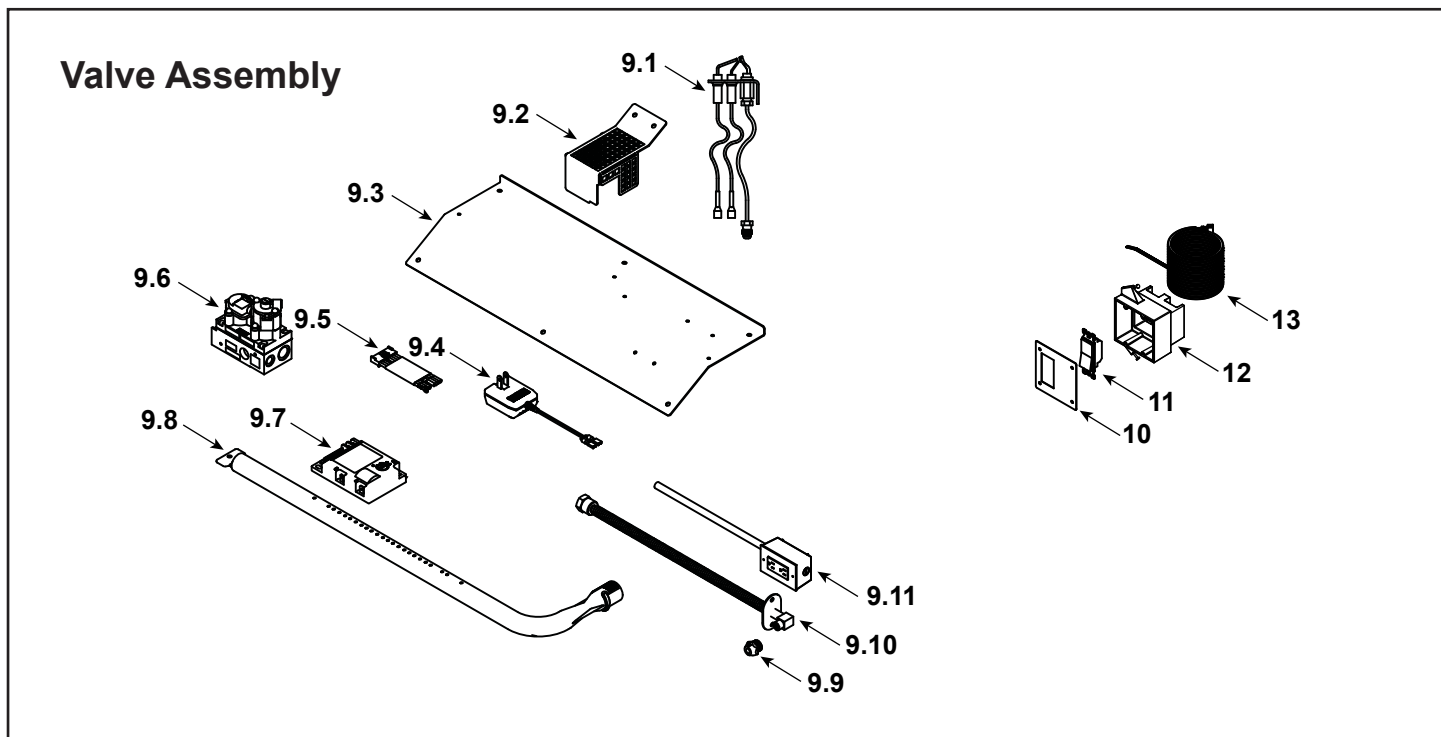
IMPORTANT: THIS IS DATED INFORMATION. Parts must be ordered from a dealer or distributor. **Hearth and Home Technologies does not sell directly to consumers.** Provide model number and serial number when requesting service parts from your dealer or distributor.



**Stocked at Depot**

ITEM	DESCRIPTION	COMMENTS	PART NUMBER	
1	Standoff, Tall	Qty 4 req	SRV4090-511	
2	Mounting Bracket	Qty 2 req	SRV4608-149	
3	Rain Shield		SRV4608-130	
4	Eyebrow		SRV4609-110	
5	Drain Lip		SRV4609-120	
6	Media Lip		SRV4609-122	
7	Standoff, Bottom Front		SRV4609-121	
8	Standoff, Bottom Rear		SRV4609-111	
	Screen Assembly	Qty 2 req	SRV4608-301	Y
	Screen Rod	Qty 2 req	31375	Y

Additional service part numbers appear on following page.



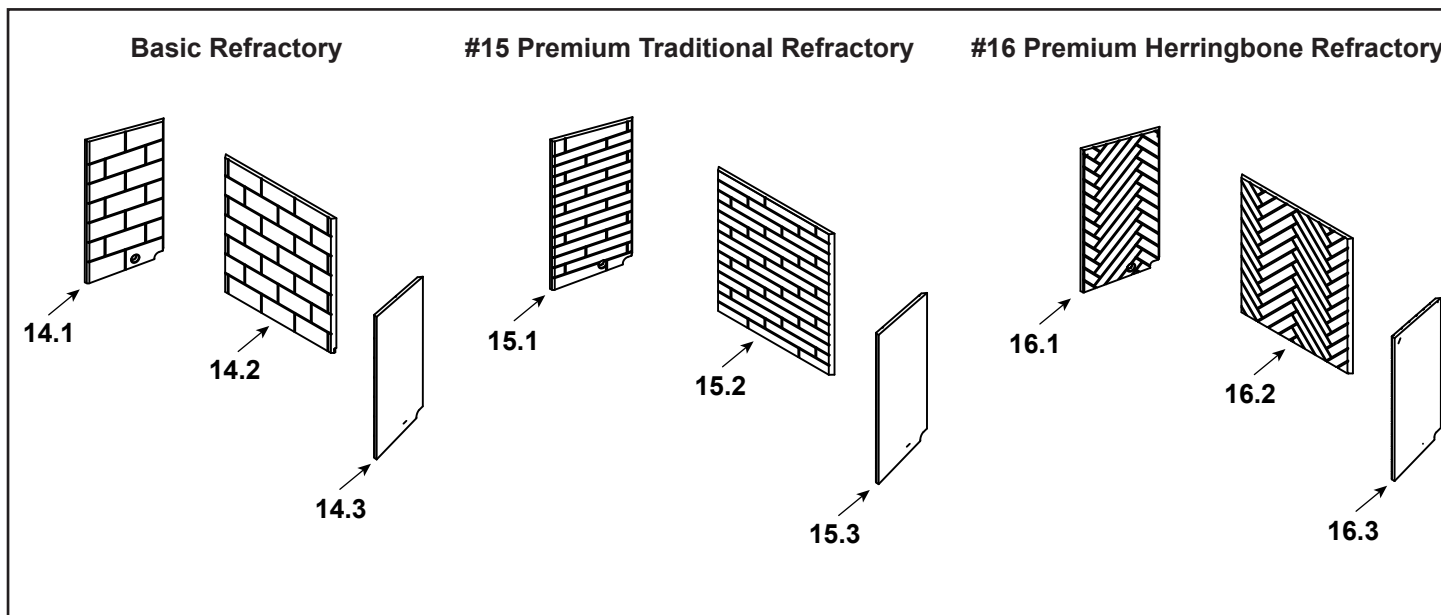
**IMPORTANT: THIS IS DATED INFORMATION.** Parts must be ordered from a dealer or distributor. **Hearth and Home Technologies does not sell directly to consumers.** Provide model number and serial number when requesting service parts from your dealer or distributor.



**Stocked at Depot**

ITEM	DESCRIPTION	COMMENTS	PART NUMBER	
9	Engine Assembly		SRV4608-007	
9.1	Pilot		SRV593-512	Y
9.2	Pilot Shield		SRV4608-125	
9.3	Control Cover Plate		SRV4608-118	
9.4	Transformer, 3V		SRV593-593	Y
9.5	Wire Assembly		SRV593-590	Y
9.6	Valve Assembly		593-500	Y
9.7	Control Module		593-592	Y
9.8	Burner Tube		SRV4608-302	Y
9.9	Orifice, Burner		SRV4608-305	Y
9.10	Bulkhead w/Flextube		2166-119	Y
9.11	OD Outlet w/Harness		SRV4608-304	Y
	Flexline 18" w/Shutoff		SRV69D0030	Y
10	Mounting Plate		SRV4608-127	
11	Rocker Switch		20304686K	Y
12	Outdoor Outlet Box		SRV4021-117	
13	SCS Wall Switch Wire		20308590K	Y
	Log Pin (Ships with Grate Kit)	Qty 2 req	20306673K	

Additional service part numbers appear on following page.



**IMPORTANT: THIS IS DATED INFORMATION.** Parts must be ordered from a dealer or distributor. **Hearth and Home Technologies does not sell directly to consumers.** Provide model number and serial number when requesting service parts from your dealer or distributor.



**Stocked at Depot**

ITEM	DESCRIPTION	COMMENTS	PART NUMBER	
14.1	Refractory Left, Basic		SRV4608-701	
14.2	Refractory Back, Basic		SRV4608-703	
14.3	Refractory Right, Basic		SRV4608-702	
15	Refractory Assembly, Premium Traditional		FBPREMT42	
15.1	Refractory Left, Premium Traditional		SRV4608-330	
15.2	Refractory Back, Premium Traditional		SRV4608-313	
15.3	Refractory Right, Premium Traditional		SRV4608-331	
16	Refractory Assembly, Premium Herringbone		FBPREMH42	
16.1	Refractory Left, Premium Herringbone		SRV4608-319	
16.2	Refractory Back, Premium Herringbone		SRV4608-318	
16.3	Refractory Right, Premium Herringbone		SRV4608-320	
	Overlay Kit		4609-010	
<b>Conversion Kit</b>				
	LP Conversion Kit		LPK-ODCOUG	Y
	Orific, #45C		582-845	Y
	Pilot Orifice, LP		SRV593-527	Y
	Regulator, LP		SRVLPK-DXF	Y
	Regulator, NG		SRVNGK-DXF	Y