

This Owner's Manual is provided and hosted by [Appliance Factory Parts](#).



# Monessen Hearth ODPLAZA-L24E Owner's Manual

[Shop genuine replacement parts for Monessen Hearth  
ODPLAZA-L24E](#)



[Find Your Monessen Hearth Fireplace Parts - Select From 701 Models](#)

----- Manual continues below -----

# Installation Manual

## Installation and Appliance Setup

**INSTALLER:** Leave this manual with party responsible for use and operation.  
**OWNER:** Retain this manual for future reference.

Contact your dealer with questions on installation, operation, or service.

**NOTICE: DO NOT discard this manual!**



**Model(s):**

**ODPLAZA-L24S-B**

**ODPLAZA-L24E**

**Outdoor Decorative Gas Appliance**

**DANGER**



A barrier designed to reduce the risk of burns from the hot viewing glass is provided with this appliance and shall be installed for the protection of children and other at-risk individuals.

**WARNING:** If the information in this manual is not followed exactly, a fire or explosion may result causing property damage, personal injury, or loss of life.

**DANGER**

**FIRE OR EXPLOSION HAZARD**

If you smell gas:

- Shut off gas to the appliance.
- Extinguish any open flame.
- If odor continues, leave the area immediately.
- After leaving the area, call your gas supplier or fire department.
- Failure to follow these instructions could result in fire or explosion, which could cause property damage, personal injury, or death.

**WARNING**

Do not store or use gasoline or other flammable vapors and liquids in the vicinity of this or any other appliance

An LP-cylinder not connected for use shall not be stored in the vicinity of this or any other appliance.

**WARNING:**

For outdoor use only. Installation and service must be performed by a qualified installer, service agency, or the gas supplier.

**WARNING:**

Improper installation, adjustment, alteration, service or maintenance can cause injury or property damage. Read the installation, operating and maintenance instructions thoroughly before installing or servicing this equipment.

This appliance is only for use with the type(s) of gas indicated on the rating plate. This appliance is not convertible for use with other gases, unless a certified kit is used.

**NOT** for use with solid wood fuel.

**DANGER**



**CARBON MONOXIDE HAZARD**

This appliance can produce carbon monoxide which has no odor.

Using it in an enclosed space can kill you.

Never use this appliance in an enclosed space such as a camper, tent, car or home.

## Propane Gas Cylinder Label

**⚠ DANGER • FLAMMABLE GAS UNDER PRESSURE.**  
**LEAKING LP-GAS MAY CAUSE A FIRE OR EXPLOSION IF IGNITED**  
**CAUSING SERIOUS BODILY INJURY OR DEATH.**  
**CONTACT LP GAS SUPPLIER FOR REPAIRS, OR DISPOSAL OF THIS**  
**CYLINDER OR UNUSED LP-GAS.**

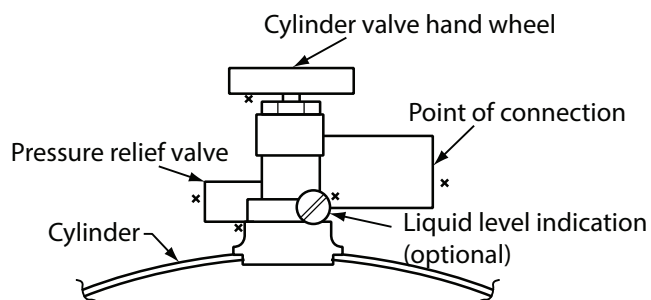
**⚠ WARNING • FOR OUTDOOR USE ONLY.\***  
**DO NOT USE OR STORE CYLINDER IN A BUILDING,**  
**GARAGE OR ENCLOSED AREA.**

**⚠ WARNING:**

- Know the odor of LP-gas. If you hear, see or smell leaking LP-gas, immediately get everyone away from the cylinder and call the Fire Department. Do not attempt repairs.
- Caution your LP-gas supplier to:  
Be certain cylinder is purged of trapped air prior to first filling.  
Be certain not to over fill the cylinder.  
Be certain cylinder re-qualification date is checked.
- LP-gas is heavier than air and may settle in low places while dissipating.
- Contact with the liquid contents of cylinder will cause freeze burns to the skin.
- Do not allow children to tamper or play with cylinder.
- When not connected for use, keep cylinder valve turned off. Self contained appliances shall be limited to a cylinder of 30 lb. capacity or less.
- Do not use, store or transport cylinder where it would be exposed to high temperatures. Relief valve may open allowing a large amount of flammable gas to escape.
- When transporting, keep cylinder secured in an upright position with cylinder valve turned off,

**WHEN CONNECTING FOR USE:**

- Use only in compliance with applicable codes.
- Read and follow manufacturer's instructions.
- Consult manufacturer's instructions concerning the cylinder connection provided with your appliance.
- Be sure regulator vent is not pointing up.
- Turn off all valves on the appliance.
- Do not check for gas leaks with a match or open flame. Apply soapy water at areas marked "x". Open cylinder valve. If bubble appears, close valve and have LP-gas service person make needed repairs. Also, check appliance valves and connections to make sure they do not leak before lighting appliance.
- Light appliance(s) following manufacturer's instructions.
- When appliance is not in use, keep the cylinder valve closed.



**DO NOT REMOVE, DEFACE, OR OBLITERATE THIS LABEL**  
**\*EXCEPT AS AUTHORIZED BY ANSI/NFPA 58.**

**⚠ DANGER.** Do not store a spare LP cylinder under or near a barbecue grill, or other heat sources.  
**NEVER** fill an LP cylinder beyond 80% full: a fire causing death or serious injury may occur.

### Safety Alert Key:

- **DANGER!** Indicates a hazardous situation which, if not avoided will result in death or serious injury.
- **WARNING!** Indicates a hazardous situation which, if not avoided could result in death or serious injury.
- **CAUTION!** Indicates a hazardous situation which, if not avoided, could result in minor or moderate injury.
- **NOTICE:** Indicates practices which may cause damage to the appliance or to property.

## Table of Contents

|  |    |
|--|----|
| Propane Gas Cylinder Label                                   | 2  |
| Installation Standard Work Checklist                         | 4  |
| <b>1 Product Specific &amp; Important Safety Information</b> |    |
| A. Appliance Certification                                   | 5  |
| B. BTU Specifications  | 5  |
| C. Non-Combustible Materials                                 | 5  |
| D. Combustible Materials                                     | 5  |
| E. California  | 5  |
| <b>2 Getting Started</b>                                     |    |
| A. Design and Installation Considerations                    | 6  |
| B. Inspect Appliance and Components                          | 6  |
| <b>3 Framing and Clearances</b>                              |    |
| A. Appliance Dimension Diagram                               | 7  |
| B. Clearances to Combustibles                                | 8  |
| C. Constructing the Appliance Enclosure                      | 8  |
| D. Propane Gas Enclosures Guidelines                         | 9  |
| <b>4 Gas Information</b>                                     |    |
| A. Fuel Conversion   | 10 |
| B. Gas Pressure  | 10 |
| C. Gas Connection  | 10 |
| D. Air Shutter Setting                                       | 10 |
| <b>5 Installation Instructions</b>                           |    |
| A. Burner Pan Installation Instructions                      | 11 |
| B. Valve Bracket and Shutoff Valve Installation              | 12 |
| C. Burner Extension Installation Instructions                | 12 |
| D. Lighting Instructions                                     | 12 |
| <b>6 Reference Materials</b>                                 |    |
| ▶ A. Accessories   | 13 |
| B. Contact Information                                       | 14 |

**ATTENTION INSTALLER:**  
**Follow this Standard Work Checklist**

This standard work checklist is to be used by the installer in conjunction with, not instead of, the instructions contained in this installation manual.

|                    |                |                                   |       |
|--------------------|----------------|-----------------------------------|-------|
| <b>Customer:</b>   | _____          | <b>Date Installed:</b>            | _____ |
| <b>Lot/Address</b> | _____          | <b>Location of Appliance</b>      | _____ |
|                    | _____          | <b>Installer:</b>                 | _____ |
|                    |                | <b>Dealer/Distributor Phone #</b> | _____ |
| <b>Model:</b>      | ODPLAZA-L24S-B |                                   | _____ |
|                    |                | <b>Serial #:</b>                  | _____ |

 **WARNING! Risk of Fire or Explosion!** Failure to install fire pit according to these instructions can lead to a fire or explosion.

| <u>Appliance Install</u>  | YES                      | IF NO, WHY? |
|---|--------------------------|-------------|
| Required non-combustible enclosure materials installed. (Pg. 8) | <input type="checkbox"/> | _____       |
| Verified clearances to combustibles. (Pg. 8)                    | <input type="checkbox"/> | _____       |
| Minimum ventilation requirements met (Pg. 9)                    | <input type="checkbox"/> | _____       |

| <u>Gas Section (Pg.10)</u>                                 | YES                      | IF NO, WHY? |
|--|--------------------------|-------------|
| Proper appliance for fuel type.                            | <input type="checkbox"/> | _____       |
| Was a conversion performed?                                | <input type="checkbox"/> | _____       |
| Leak check performed and inlet pressure verified.          | <input type="checkbox"/> | _____       |
| Verified proper air shutter setting for installation type. | <input type="checkbox"/> | _____       |

| <u>Finishing Section (Pg. 11-12)</u>                           | YES                      | IF NO, WHY? |
|--|--------------------------|-------------|
| Combustible materials not installed in non-combustible areas.  | <input type="checkbox"/> | _____       |
| Verified all clearances meet installation manual requirements. | <input type="checkbox"/> | _____       |
| Wall projections comply with installation manual requirements. | <input type="checkbox"/> | _____       |

| <u>Appliance Setup</u>   | YES                      | IF NO, WHY? |
|--|--------------------------|-------------|
| All packaging and protective materials removed.  | <input type="checkbox"/> | _____       |
| Media installed correctly. (Reference Media Kit Instructions, Section 5.9 & Figure 5.3)                                    | <input type="checkbox"/> | _____       |
| Manual bag and all of its contents are removed from the fire pit and given to the party responsible for use and operation. | <input type="checkbox"/> | _____       |
| Started appliance and verified no gas leaks exist.   | <input type="checkbox"/> | _____       |

- Hearth & Home Technologies recommends the following:**
- Photographing the installation and copying this checklist for your file.
  - That this checklist remain visible at all times on the fire pit until the installation is complete.

**Comments:** Further description of the issues, who is responsible (Installer/Builder/Other Trades, etc.) and corrective action needed:

\_\_\_\_\_

\_\_\_\_\_

Comments communicated to party responsible \_\_\_\_\_ by \_\_\_\_\_ on \_\_\_\_\_  
 (Builder/Gen. Contractor) (Installer) (Date)

# 1 Product Specific & Important Safety Information

## A. Appliance Certification

**MODELS:** ODPLAZA-L24S-B  
**LABORATORY:** Underwriters Laboratories Inc. (UL)  
**TYPE:** Outdoor Decorative Gas Appliance  
**STANDARD:** ANSI Z21.97-2017 / CSA 2.41-2017

This product is listed to ANSI standards for outdoor decorative gas appliances.

When an appliance is for connection to a fixed piping system, the installation must conform with local codes, or in the absence of local codes with the **National Fuel Gas Code, ANSI Z223.1/NFPA 54, or International Fuel Gas Code.**

## B. BTU Specifications

Maximum allowable BTU ratings:

| Burner Pans<br><i>U.S. (0-2000 FT) or<br/>Canada (2000-4500 FT)</i> | Natural Gas | Propane Gas      |
|---|-------------|------------------|
|   |             | Orifice .089 #43 |
| 1   | 32,000      | 32,000           |
| 2   | 65,000      | 65,000           |
| 3   | 100,000     | 100,000          |
| 4   | 124,000     | 124,000          |
| 5   | 147,000     | 147,000          |

**NOTE:** When using a 20 pound propane tank, it is estimated that the burner will operate approximately 10 hours.


## C. Non-Combustible Materials


- Materials which will not ignite and burn, composed of any combination of the following:
  - Steel
  - Iron
  - Brick
  - Tile
  - Concrete
  - Slate
  - Glass
  - Plasters
- Materials reported as passing **ASTM E 136, Standard Test Method for Behavior of Metals, in a Vertical Tube Furnace at 750° C**

## D. Combustible Materials

- Materials made of or surfaced with any of the following materials:
  - Wood
  - Compressed paper
  - Plant fibers
  - Plastic
  - Plywood/OSB
  - Sheet rock (drywall)
- Any material that can ignite and burn; flame proofed or not, plastered or un-plastered
- Be sure to remove protective coating on stainless steel surfaces.

## E. California

 **WARNING:** This product and the fuel used to operate this product, and the products of combustion of such fuel, can expose you to chemicals including benzene, which is known to the State of California to cause cancer and reproductive harm. For more information go to [www.P65Warnings.ca.gov](http://www.P65Warnings.ca.gov).

 **WARNING:** Improper installation, adjustment, alteration, service or maintenance can cause injury or property damage. Read the installation, operating and maintenance instructions thoroughly before installing or servicing this equipment.

**NOTE:** Installation and repair should be done by a qualified service person. The appliance should be inspected before use and at least annually by a qualified service person. More frequent cleaning may be required as necessary. It is imperative that the control compartment, burners, and circulating air passageways of the appliance are kept clean.

# 2 Getting Started

## A. Design and Installation Considerations

The Plaza series gas appliance is designed for outdoor use and may be installed as a stand alone unit or built against a wall as long as it is non-combustible and comes to the edge of the opening of the burner. Do not cover the top of burner.

Outdoor spaces - For the purpose of these instructions, an appliance is considered to be outdoors if installed with shelter no more inclusive than:

1. With walls on all sides, but no overhead cover
2. Within a partial enclosure which includes an overhead cover and no more than two side walls. These side walls may be parallel, as in a breezeway, or at right angles to each other; or
3. Within a partial enclosure which includes an overhead cover and three sidewalls, as long as 30% or more of the horizontal periphery of the enclosure is permanently open.

Note: Screen may be used on the open sides of the shelter, 14x18 and 16x18 screen mesh is approved for use. DO NOT use solar screen or no-see-um screen.

### CAUTION

*Check building codes prior to installation.*

- Installation MUST comply with local, regional, state and national codes and regulations.
- Consult insurance carrier, local building, fire officials or authorities having jurisdiction about restrictions, installation inspection, and permits.

When planning an appliance installation, it's necessary to determine the following information before installing:

- Where the appliance is to be installed.
- Gas supply piping.
- Framing and finishing details.

### Moisture Resistance

This outdoor gas appliance will shed moderate amounts of water, but is not waterproof. Water and condensing water vapor may enter the enclosure under certain conditions

**Note:** Take drainage into consideration when building enclosure. Water MUST be able to drain away from the enclosure.

## B. Inspect Appliance and Components

- Remove the appliance and components from the packaging and inspect for damage.
- Report any parts damaged in shipment to your dealer.

### Parts included with the starter package:

- Pan assembly
  - (2) end caps
  - Flexible bulk head with propane orifice.
  - (18) hex head screws
  - (1) 1/2 in. NPT to 3/8 in. flare adapter
  - Burner tube
  - (3) burner tube brackets
  - Flex line
  - Valve bracket
  - Natural orifice
  - Safety pilot gas valve
  - 30 inch thermopile
  - Valve knob
- **Read all the instructions before starting the installation. Follow these instructions carefully during the installation to ensure maximum safety and benefit.**

**WARNING! Risk of Fire or Explosion! Damaged parts could impair safe operation. DO NOT install damaged, incomplete or substitute components. Keep appliance dry.**

Hearth & Home Technologies disclaims any responsibility for, and the warranty will be voided by, the following actions:

- Installation and use of any damaged appliance.
- Modification of the appliance.
- Installation other than as instructed by Hearth & Home Technologies.
- Improper positioning of the media.
- Installation and/or use of any component part not approved by Hearth & Home Technologies.

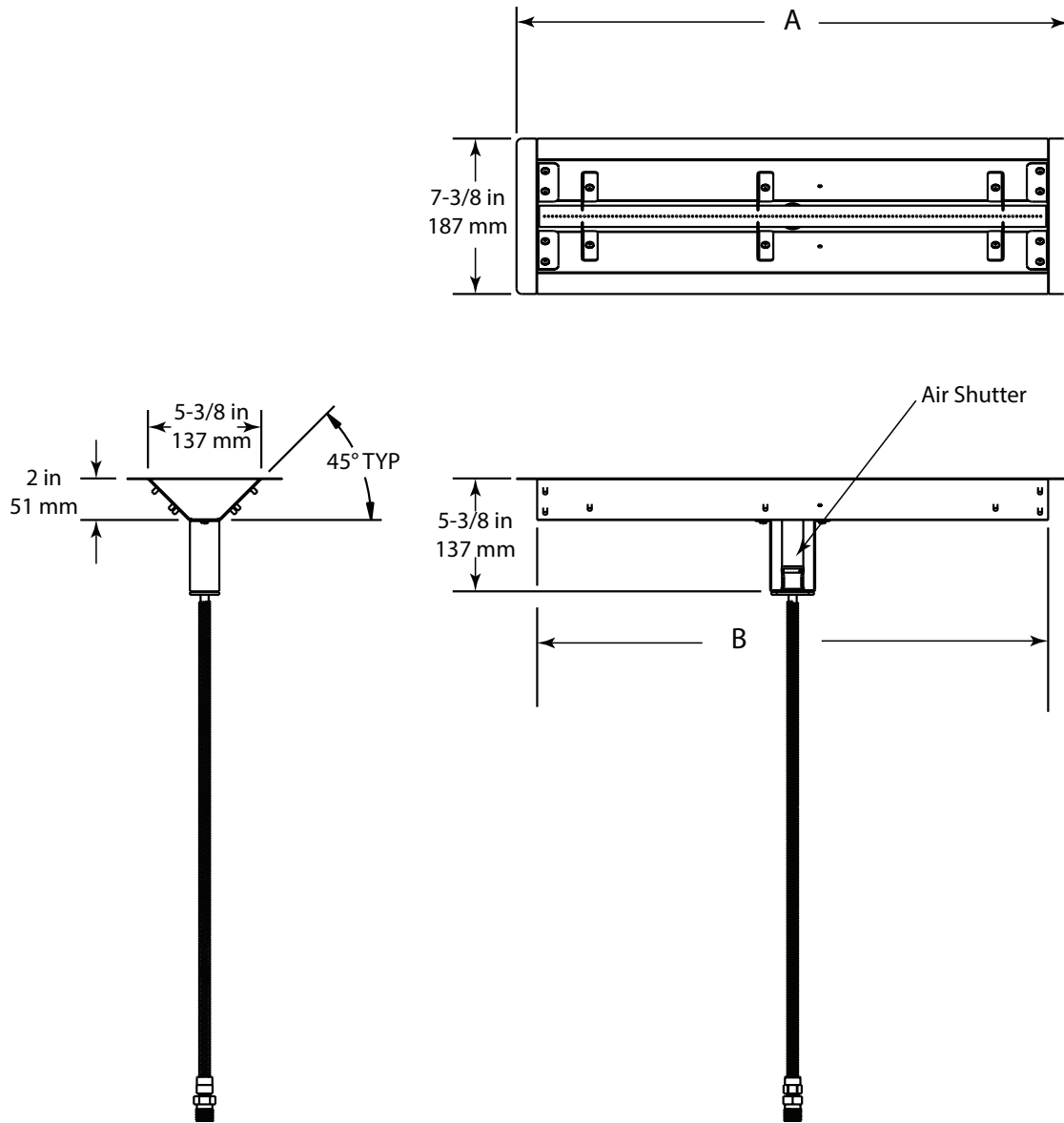
**Any such action may cause a fire hazard.**

**WARNING! Risk of Fire or Explosion! DO NOT use this appliance if any part has been under water. Call a qualified service technician to inspect the appliance and to replace any part of the gas control system which has been under water.**

# 3 Framing and Clearances

## A. Appliance Dimension Diagram

Dimensions are actual appliance dimensions. Use for reference only.



|   | Starter Kit    | Starter + 1 extension | Starter + 2 extensions | Starter + 3 extensions | Starter + 4 extensions |
|---|----------------|-----------------------|------------------------|------------------------|------------------------|
| A | 26 in (660 mm) | 50 in (1270 mm)       | 74 in (1880 mm)        | 98 in (2489 mm)        | 122 in (3099 mm)       |
| B | 24 in (610 mm) | 48 in (1219 mm)       | 72 in (1829 mm)        | 96 in (2438 mm)        | 120 in (3048 mm)       |

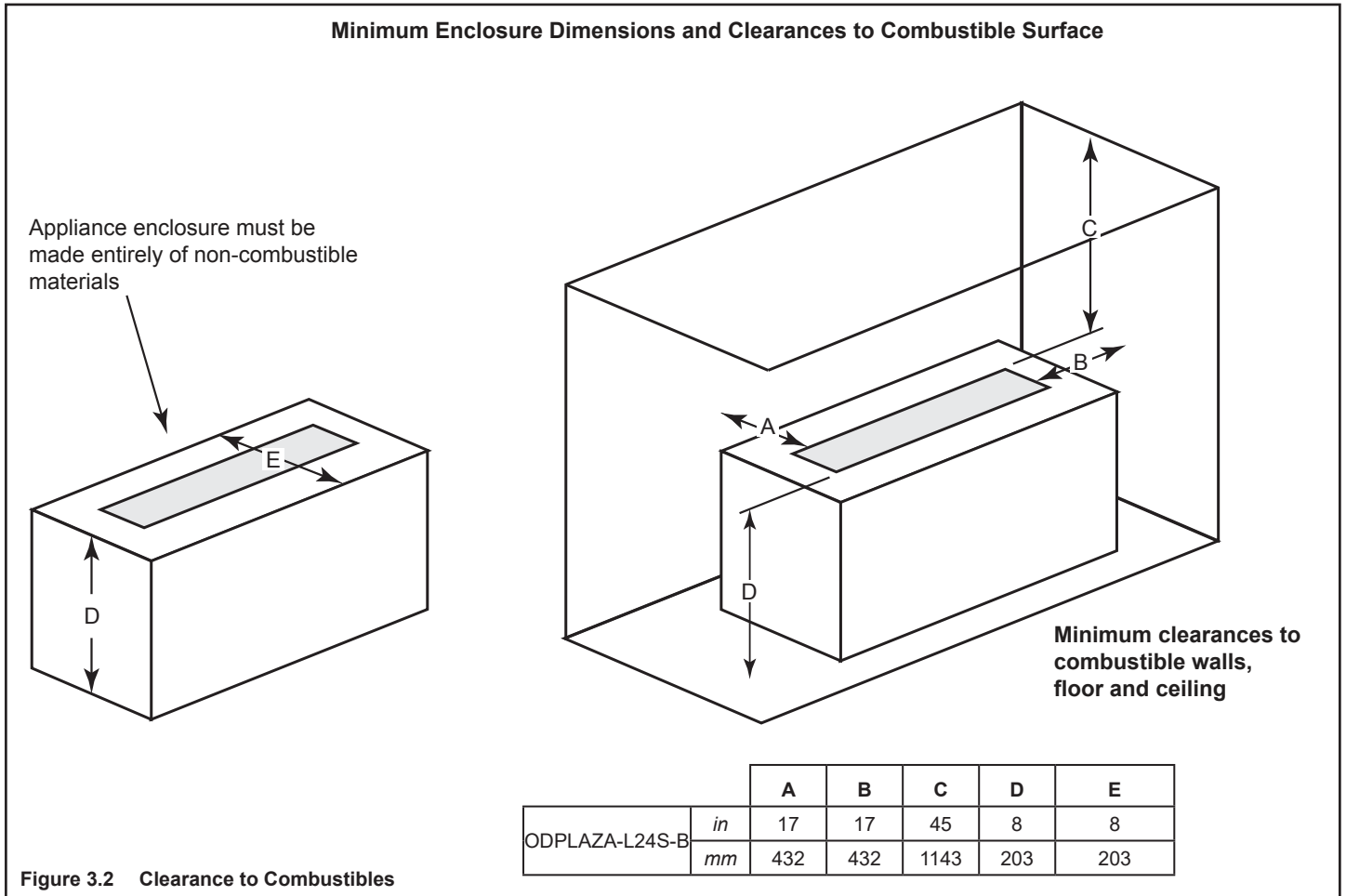
Figure 3.1 Appliance Dimensions

## B. Clearances to Combustibles

When selecting a location for the appliance it is important to consider the required clearances to walls (see Figure 3.2).

**WARNING! Risk of Fire or Burns! Provide adequate clearance around air openings and for service access. Due to high temperatures, the appliance should be located out of traffic and away from furniture and draperies.**

**NOTICE:** Illustrations reflect typical installations and are FOR DESIGN PURPOSES ONLY. Illustrations/diagrams are not drawn to scale. Actual installation may vary due to individual design preference.



## C. Constructing the Appliance Enclosure

**Note:** Take drainage into consideration when building enclosure.

- The appliance enclosure must be made entirely of non-combustible materials such as metal studs and cement board.
- Minimum enclosure dimensions shown in Figure 3.2.
- The gas valves must be located on the outside of enclosure or in an optional box and easily accessible.
- Construction materials must be non-combustible if closer than the minimum clearances shown in Figure 3.2.

## D. Propane Gas Enclosures Guidelines

NOTE: The propane cylinder and regulator hose assembly included in LPTK-ODPLAZA-L must meet the following requirements stated in points 1, 2 & 3.

1. Constructed and marked in accordance with the U.S. Department of Transportation (D.O.T.) specifications for propane gas cylinders, spheres and tubes for transportation of dangerous goods and commission, CAN/CSA-B339, as applicable.
  2. Provided with listed overfilling device.
  3. Provided with connection device compatible with appliance.
- When constructing an enclosure to conceal a propane tank cylinder, the enclosure must adhere to the following construction requirements:
  - Enclosure may be constructed with one side completely open or if the enclosure is built with four sides, a top and a bottom, then as follows:
    - A propane gas cylinder enclosure requires four ventilation openings at the top and bottom of the enclosure (Figure 3.4). The openings must adhere to the minimum requirements according to the capacity of the cylinder. (Listed below)
    - Each opening of the enclosure must be equally sized and spaced a minimum of 90° apart (see Figure 3.4). Openings must remain unobstructed.
    - Top ventilation openings are required on the side walls of the tank enclosure within five inches (127 mm) of the top of the enclosure. They need to be of equal size, unobstructed and spaced a minimum of 90° apart. The openings need to be a total area of 1 in<sup>2</sup>/lb (14.2 cm<sup>2</sup>/kg) of fuel storage capacity. (Example: 1.0 in<sup>2</sup> x 20 lb tank=20 in<sup>2</sup>)
    - Bottom opening must provide a minimum of 1/2 square inch (7.1 cm<sup>2</sup>/kg) for each pound of propane contained in the tank. (Example: .05 in<sup>2</sup> x 20 lb tank=10 in<sup>2</sup>)
    - Every opening must have minimum dimensions to allow entrance of a 1/8 in. (3.18 mm) diameter rod.
    - Ventilation openings in side walls must not communicate directly with other enclosures of the linear appliance.
    - The cylinder valve must be easily accessible by hand. Connections should be easy to leak test inside the enclosure. A door on the enclosure is acceptable only if easily opened without the use of tools and is non-locking.
    - The enclosure needs to isolate the cylinder from the burner compartment and provide protection from radiation, act as a flame barrier, and protect the cylinder from foreign material.
    - The enclosure needs to allow connection, disconnection, and inspection of the connection of the propane gas cylinder.

- The enclosure should allow testing of any connection on the propane cylinder that might be disturbed during installation.
- There is also a propane tank kit (LPTK-ODPLAZA-L) available for the starter framing kit (FK-ODPLAZA-24S) if a remote tank is not desired. Propane tank kit is only to be used with a single 24 inch starter pan and framing kit. The above ventilation requirements are still required.
- If using a site constructed table, a frame may be built to attach tank kit frame and must have a mechanism to retain the cylinder to prevent tipping.

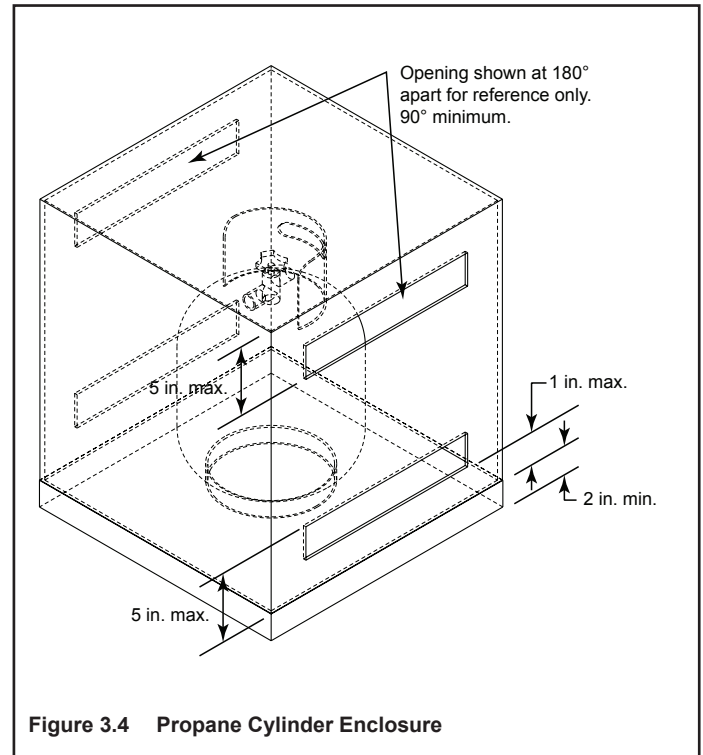


Figure 3.4 Propane Cylinder Enclosure

# 4 Gas Information

## A. Fuel Conversion

- Propane orifice is installed from factory.
- Make sure the appliance is compatible with available gas types.
- Conversions must be made by a qualified service technician using Hearth & Home Technologies specified and approved parts.
- To convert burner pan gas, change out orifice in bulk head and change air shutter setting.

## B. Gas Pressure

**WARNING! Risk of Fire or Explosion! High pressure will damage valve. Low pressure may cause explosion.**

- Verify inlet pressures. Verify minimum pressures when other household gas appliances are operating.
- Install regulator upstream of valve if line pressure is greater than 1/2 psig (14 in. w.c.).

| Gas Pressure  | Natural Gas   | Propane       |
|---|---------------|---------------|
| Minimum inlet gas supply pressure for the purpose of input adjustment | 7.0 in. w.c.  | 11.0 in. w.c. |
| Maximum inlet pressure  | 10.0 in. w.c. | 13.0 in. w.c. |

### **WARNING**



- Fire Risk.
- Explosion Hazard.
- High pressure will damage valve.
- Disconnect gas supply piping **BEFORE** pressure testing gas line at test pressures above 1/2 psig.
- Close the manual shutoff valve **BEFORE** pressure testing gas line at test pressures equal to or less than 1/2 psig.

When an appliance is for connection to a fixed piping system, the installation must conform with local codes, or in the absence of local codes with the **National Fuel Gas Code, ANSI Z223.1/NFPA 54, or International Fuel Gas Code.**

**Note:** Have the gas supply line installed in accordance with local codes, if any. If not, follow ANSI Z223.1. Installation should be done by a qualified installer approved and/or licensed as required by the locality. (In the Commonwealth of Massachusetts, installation must be performed by a licensed plumber or gas fitter).

A listed (and Commonwealth of Massachusetts approved) 1/2 inch (13 mm) T-handle manual shut-off valve and flexible gas connector are connected to the control valve inlet in a readily accessible area.

- **If substituting for these components, please consult local codes for compliance.**

## C. Gas Connection

- Use approved 1/2 in. gas line to make connection to provided flex line and to create manifolds for multiple sections.
- Pipe incoming gas line into enclosure.
- Connect incoming gas line to the flex line connection on the safety valve.

**WARNING! Risk of Fire/Explosion! Support control when attaching pipe to prevent bending gas line.**

- A small amount of air will be in the gas supply lines.

**WARNING! Risk of Fire/Explosion! Gas build-up during line purge could ignite.**

- Purge should be performed by a qualified technician.
- Ensure adequate ventilation.
- Ensure there are no ignition sources such as sparks or open flames.
- Light the appliance. It will take a short time for air to purge from lines. When purging is complete the appliance will light and operate normally.

**WARNING! Risk of Fire, Explosion or Asphyxiation! Check all fittings and connections with a non-corrosive commercially available leak-check solution. DO NOT use open flame. Fittings and connections could have loosened during shipping and handling.**

## D. Air Shutter Setting

Air shutter settings should be adjusted by a qualified service technician at the time of installation. The air shutter is set at the factory.

- Loosen the screw.
- Turn the air shutter counterclockwise for natural gas and clockwise for Propane.
- Tighten the screw.

Air shutter settings:

- Natural Gas: Fully closed
- Propane: Fully open

# 5 Installation Instructions

## A. Burner Pan Start Kit Installation Instructions

1. When choosing the location for your new linear burner you must choose a location that adheres to clearance to combustibles found in Figure 3.2.
2. Open starter kit and check to see that all components in are included in the package.

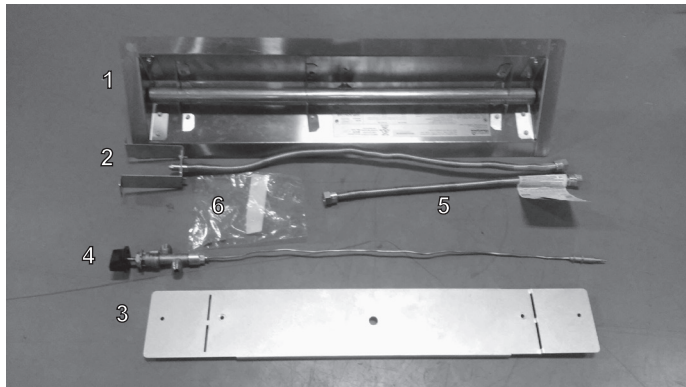


Figure 5.1 Starter Kit (ODPLAZA-L24S-B)

- 1 - Pan Assembly
- 2 - Flex line/orifice & flex line bracket
- 3 - Valve bracket
- 4 - Safety valve with thermocouple and knob
- 5 - Flex line
- 6 - Natural orifice and screws

3. Attach the 1/2 to 3/8 adapter to the 1/2 gas supply line and then attach flex line to valve inlet.
4. Attach flex line and flex line bracket to bottom of pan with hex screws provided. See Figure 5.2.

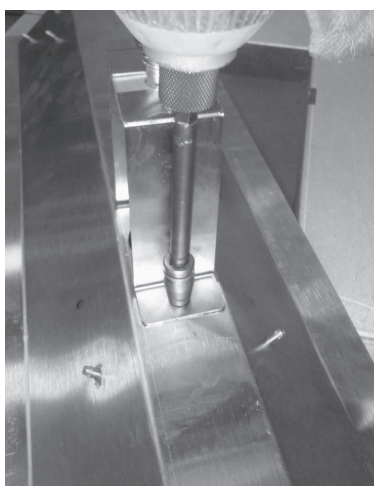


Figure 5.2 Attach Flexible Bulk Head and Bracket to Pan

5. Attach flexible gas line to the valve, DO NOT apply sealant to flare fitting side of adapter.

**Note:** If using additional burner pan extension kits see Section 5C.

6. Install pan into enclosure and secure with high temperature adhesive.

**NOTE:** Burner assembly can be installed on top of the finish materials, or under the finishing materials. See Figures 5.3 and 5.4.

**NOTE:** Be advised that if finishing materials are installed on top of burner assembly, gas connections may not be accessible for service unless access panels are built into enclosure.

**NOTE:** Enclosure must be entirely of non-combustible materials.

7. Be sure to check all gas line connections for leaks.
8. Fill pan to the top edge with media material (see section 6A Accessories for available media).



Figure 5.3 Pan Installed on Top of Finish Material



Figure 5.4 Pan Installed Under Finish Material

## B. Valve Bracket and Safety Valve Installation

**Note:** Leave clearance behind valve knob to allow depression of valve to ignite burner.

1. When mounting the safety valve, the included valve bracket should be used. The safety valve can be directly attached by screwing it to the table in provided mounting holes. See Figure 5.5.

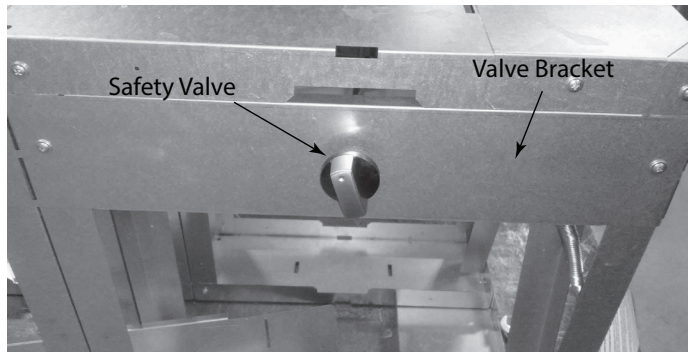


Figure 5.5 Valve Bracket

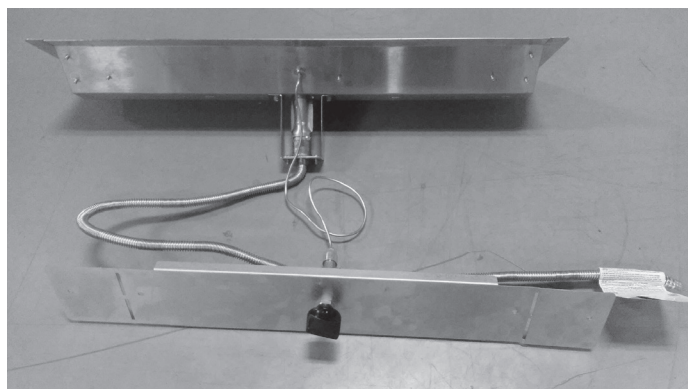


Figure 5.6 Complete Burner Pan Starter Kit

2. Thermocouple mounting hole is located directly in the middle of each burner pan.
3. When mounting the thermocouple into the mounting hole on the burner pan, be sure to mount thermocouple so it is protruding into the pan by at least 1-3/4 inch. Measure from pan to tip of thermocouple. Thermocouple tip must be exposed to the flame to ensure proper operation.

## C. Burner Extension Installation Instructions

1. When connecting burner pans together, use the brackets supplied with burner extension kit (ODPLAZA-L24E). Each extension kit will allow installation of one extension. Up to four burner extensions may be used with one starter kit.

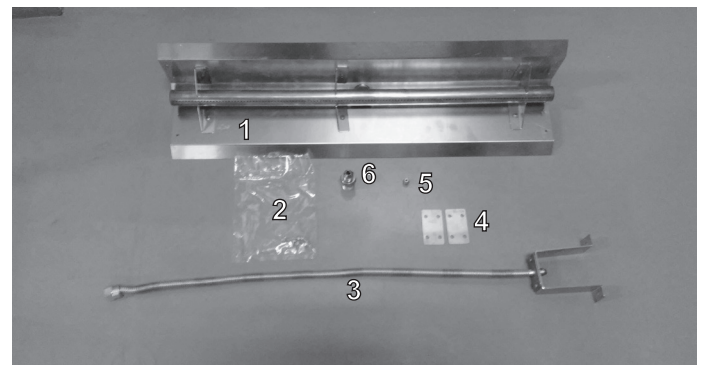


Figure 5.7 Extension Kit (ODPLAZA-L24E)

- |                               |                                |
|-------------------------------|--------------------------------|
| 1 - Extension pan             | 5-Natural orifice              |
| 2 - Screw pack                | 6-Adapter 1/2 NPT to 3/8 flare |
| 3 - Flexline bulkhead orifice |                                |
| 4 - Extension brackets        |                                |

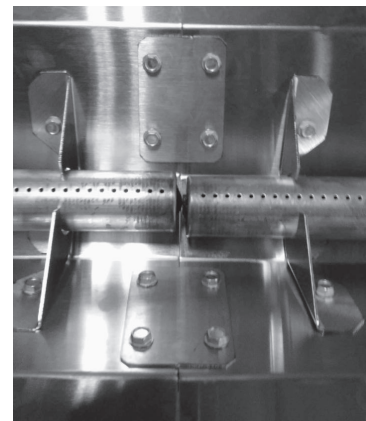


Figure 5.8 Extension Kit Brackets

2. When connecting a burner extension to a starter kit you must create a manifold to supply gas to each extension. Manifold can be made of 1/2 inch black iron pipe and will need a pipe "T" and a drop for each additional burner section. Manifold will need to be built to accommodate the quantity of burner extensions used.
3. Attach adapter 1/2 in. NPT to 3/8 in. flare to the manifold. Connect flex line to the 1/2 in. NPT 3/8 in. flare adapter.
4. When installing multiple burner extensions, a separate valve (VK-ODPLAZA-B) must be installed for everything over 65,000 BTU of burner, (for example, a 10 ft. burner would require (3) three separate valves, a 6 ft. (2) two valves, and a 4 ft. (1) one valve).

## D. Lighting Instructions

1. A device which is long enough to light the appliance from safe distance (long butane lighter or long match) should be used.
2. Hold flame over burner pan center.
3. Push in safety valve knob and hold in. Flame should ignite.
4. Hold knob for 10 to 20 seconds and then release. Flame should stay lit. Turn knob to the left. If flame does not stay lit, repeat step 1 through 4.
5. Turn knob all the way to the right to turn off the gas supply.

# 6 Reference Materials

## A. Accessories

- FK-ODPLAZA-L24S Framing Kit Starter
- FK-ODPLAZA-L24E Framing Kit Extension

- ▶ • Wind Shield Kit:

**Glass Kit Order Chart**

| Number of Sections | WS-ODPLAZA-L28S | WS-ODPLAZA-L24E | WS-ODPLAZA-L28E | Total Dimension                     |
|--------------------|-----------------|-----------------|-----------------|-------------------------------------|
| 1                  | 1               | 0               | 0               | 28-1/2 x 10-1/4 in (724 x 260 mm)   |
| 2                  | 1               | 0               | 1               | 56-1/2 x 10-1/4 in (1435 x 260 mm)  |
| 3                  | 1               | 1               | 1               | 80-1/4 x 10-1/4 in (2038 x 260 mm)  |
| 4                  | 1               | 2               | 1               | 104-1/2 x 10-1/4 in (2654 x 260 mm) |
| 5                  | 1               | 3               | 1               | 128-3/4 x 10-1/4 in (3270 x 260 mm) |

- LPTK-ODPLAZA-L Propane Tank Kit  
(kit includes door, door frame, tank restraint system and regulator)

- ▶ • Media Material:

|                 |             |
|-----------------|-------------|
| MEDIA - LAVA    | 2x5 lb bags |
| MEDIA - COBALT  | 2x5 lb bags |
| MEDIA - AMBER   | 2x5 lb bags |
| MEDIA - BLACK   | 2x5 lb bags |
| MEDIA - CRYSTAL | 2x5 lb bags |

**NOTE: 10 lbs per 24 inch sections**



**Lava Rock**



**Glass Media**

- CVR-ODPLAZA 24 inch Burner Cover
- VK-ODPLAZA-B Valve Kit

**Valve Kit Order Chart**

| Number of Burners                | 1 | 2 | 3 | 4 | 5 |
|----------------------------------|---|---|---|---|---|
| Additional VK-ODPLAZA-B to order | 0 | 0 | 1 | 1 | 2 |

## B. Contact Information



Hearth & Home Technologies  
7571 215th Street West  
Lakeville, MN 55044  
www.hearthnhome.com

**Please contact your Outdoor Lifestyles dealer with any questions or concerns.**

For the number of your nearest Outdoor Lifestyles dealer, please visit [www.hearthnhome.com](http://www.hearthnhome.com).

### – NOTES –

---

---

---

---

---

---

---

---

---

---

|  |   |   |
|--|---|---|
| <b>CAUTION</b>   |   |   |
|  | <b>DO NOT DISCARD THIS MANUAL</b>   |   |
| • Important operating and maintenance instructions included. | • Read, understand and follow these instructions for safe installation and operation. | • Leave this manual with party responsible for use and operation. |

This product may be covered by one or more of the following patents: (United States) 6601579, 6769426, 6863064, 7077122, 7074035, 7098269, 7234932, 7258116, 7322819, 7422011, 7470729, 7726300, 8147240, 9625149 or other U.S. and foreign patents pending.

2000-945E

Printed in U.S.A. - Copyright 2019