

This Owner's Manual is provided and hosted by [Appliance Factory Parts](#).



# Monessen Hearth ODPLAZA-L24S-B Owner's Manual

[Shop genuine replacement parts for Monessen Hearth  
ODPLAZA-L24S-B](#)



[Find Your Monessen Hearth Fireplace Parts - Select From 701 Models](#)

----- Manual continues below -----

# Owner's Manual

## Care and Operation

**INSTALLER:** Leave this manual with party responsible for use and operation.  
**OWNER:** Retain this manual for future reference.

Contact your dealer with questions on installation, operation, or service.

**NOTICE: DO NOT discard this manual!**



**Model(s):**

**ODPLAZA-L24S-B**

**ODPLAZA-L24E**

**Outdoor Decorative Gas Appliance**

**DANGER**



A barrier designed to reduce the risk of burns from the hot viewing glass is provided with this appliance and shall be installed for the protection of children and other at-risk individuals.

**WARNING:** If the information in this manual is not followed exactly, a fire or explosion may result causing property damage, personal injury, or loss of life.

**DANGER**

**FIRE OR EXPLOSION HAZARD**

If you smell gas:

- Shut off gas to the appliance.
- Extinguish any open flame.
- If odor continues, leave the area immediately.
- After leaving the area, call your gas supplier or fire department.
- Failure to follow these instructions could result in fire or explosion, which could cause property damage, personal injury, or death.

**WARNING**

Do not store or use gasoline or other flammable vapors and liquids in the vicinity of this or any other appliance

An LP-cylinder not connected for use shall not be stored in the vicinity of this or any other appliance.

**WARNING:**

For outdoor use only. Installation and service must be performed by a qualified installer, service agency, or the gas supplier.

**WARNING:**

Improper installation, adjustment, alteration, service or maintenance can cause injury or property damage. Read the installation, operating and maintenance instructions thoroughly before installing or servicing this equipment.

This appliance is only for use with the type(s) of gas indicated on the rating plate. This appliance is not convertible for use with other gases, unless a certified kit is used.

**NOT** for use with solid wood fuel.

**DANGER**



**CARBON MONOXIDE HAZARD**

This appliance can produce carbon monoxide which has no odor.

Using it in an enclosed space can kill you.

Never use this appliance in an enclosed space such as a camper, tent, car or home.

### Safety Alert Key:

- **DANGER!** Indicates a hazardous situation which, if not avoided will result in death or serious injury.
- **WARNING!** Indicates a hazardous situation which, if not avoided could result in death or serious injury.
- **CAUTION!** Indicates a hazardous situation which, if not avoided, could result in minor or moderate injury.
- **NOTICE:** Indicates practices which may cause damage to the appliance or to property.

## Table of Contents

<b>1 Welcome</b>	
A. Congratulations	3
B. Listing Label Information	3
C. Limited Lifetime Warranty	4
<b>2 Product Specific &amp; Important Safety Information</b>	
A. Appliance Certification	6
B. BTU Specifications	6
C. California	6
D. Appliance Safety	6
E. Fuel Specifications	7
F. Before Lighting Appliance	7
G. Lighting Appliance	7
<b>3 Lighting Instructions</b>	<b>8</b>
<b>4 Maintenance and Service</b>	<b>9</b>
<b>5 Troubleshooting</b>	<b>10</b>
<b>6 Reference Materials</b>	
▶ A. Service Parts	11
▶ B. Accessories	12
C. Contact Information	14

# 1 Welcome

Read this manual before installing or operating this appliance.  
Please retain this owner's manual for future references.

## A. Congratulations

Congratulations on selecting a Outdoor Lifestyles decorative gas appliance. The HHT gas appliance you have selected is designed to provide the utmost in safety and reliability.

As the owner of a new gas appliance, you'll want to read and carefully follow all of the instructions contained in this Owner's Manual. Pay special attention to all Cautions and Warnings.

This Owner's Manual should be retained for future reference. We suggest that you keep it with your other important documents and product manuals.

Your new Outdoor Lifestyles decorative gas appliance will give you years of durable use and trouble-free enjoyment. Welcome to the Outdoor Lifestyles family of appliances!

Outdoor Lifestyles is a registered trademark of Hearth & Home Technologies.

### Local Dealer Information

**DEALER:** Fill in your name, address, phone and e-mail information here and appliance information below.


Dealer Name: _____
Address: _____ _____
Phone: _____
E-mail: _____

#### Appliance Information:

Brand: \_\_\_\_\_ Model Name: \_\_\_\_\_  
Serial Number: \_\_\_\_\_ Date Installed: \_\_\_\_\_


## B. Listing Label Information/Location

The model information regarding your specific appliance can be found on the rating plate riveted on the burner pan.



Outdoor Lifestyles  
by hearth & home technologies®  
Outdoor Lifestyles by  
Hearth & Home Technologies  
7571-215th St. West, Lakeville, MN 55044

This appliance must be installed in accordance with local codes, if any; if not, follow ANSI Z223.1 in the USA installation codes.



GAS-FIRED  
ANSI Z21.97-2017  
CSA 2.41-2017  
Outdoor Decorative  
Gas Appliances  
LISTED  
MH61458

Serial Number: \_\_\_\_\_  
Appliance Model: \_\_\_\_\_

	Natural Gas	Propane Gas
Min. Gas Supply for input Adj.	7.0 in. w.c. (1.74 kPa)	11.0 in. w.c. (2.73 kPa)
Max. Gas Supply:	10.0 in. w.c. (2.48 kPa)	14.0 in. w.c. (3.48 kPa)
Max. Input	1 module 32,000 BTU/hr. (9.38 kW)	32,000 BTU/hr. (9.38 kW)
	2 modules 65,000 BTU/hr. (19.04 kW)	65,000 BTU/hr. (19.04 kW)
	3 modules 100,000 BTU/hr. (29.30 kW)	100,000 BTU/hr. (29.30 kW)
	4 modules 124,000 BTU/hr. (36.34 kW)	124,000 BTU/hr. (36.34 kW)
	5 modules 147,000 BTU/hr. (43.08 kW)	147,000 BTU/hr. (43.08 kW)
Burner Orifice Size:	#43 .089 in. (2.26 mm)	#52 .063 in. (1.60 mm)

Model (Modele): **ODPLAZA-L24S-B**  
Type of Gas (Sorte De Gaz): **PROPANE GAS**

Serial (Serie): \_\_\_\_\_  
Mfg. Date: \_\_\_\_\_

**MADE IN USA**

4079-318D

## C. Limited Lifetime Warranty

### Outdoor Lifestyles by Hearth & Home Technologies™ Limited Lifetime Warranty

Hearth & Home Technologies (“HHT”) extends the following warranty for all Outdoor Lifestyles by HHT™ brand products (“Products”) that are purchased from an HHT authorized dealer.

#### **WARRANTY COVERAGE:**

HHT warrants to the original owner of the Product at the site of installation, and to any transferee taking ownership of the Product at the site of installation within one year following the date of original purchase, that the Product will be free from defects in materials and workmanship at the time of manufacture. After installation, if covered components manufactured by HHT are found to be defective in materials or workmanship during the applicable warranty period, HHT will, at its option, repair or replace the covered components. This warranty is subject to conditions, exclusions and limitations as described below.

#### **WARRANTY PERIOD:**

The warranty period begins on the earlier of: (i) the date of invoice for the Product; (ii) in the case of new home construction, the date of first occupancy of the residence or six months after the date of sale of the Product by an HHT authorized dealer, whichever occurs first; or (iii) the date 24 months following the date of Product shipment from HHT, regardless of the invoice or occupancy date.

#### **WARRANTY CONDITIONS:**

- The Limited Lifetime Warranty covers Products that are purchased through a HHT authorized dealer or distributor. A list of HHT authorized dealers is available on the HHT branded websites.
- This warranty is only valid while the Product remains at the site of original installation.
- Contact your installing dealer for warranty service. If the installing dealer is unable to provide necessary parts, contact the nearest HHT authorized dealer. Additional service fees may apply if you are seeking warranty service from a dealer other than the dealer from whom you originally purchased the Product.
- Check with your dealer in advance for any costs to you when arranging a warranty call. Travel and shipping charges for parts are not covered by this warranty.
- The Product body, metal firebox and heat exchanger carry the Limited Lifetime Warranty from the date of installation.
- The following components do not carry the Limited Lifetime Warranty but are warranted as follows:
  - One Year from Date of Installation:
    - Gas and Electrical Components or Gaskets
    - Nickel Plated Materials
      - Excludes tarnishing
    - Glass Breakage, Logs/Refractory/Glass Panels due to thermal breakage
      - Surface, hairline cracks, scratches and slight color changes are not covered
    - Venting, optional accessories, optional glass doors
    - Labor Associated with Warranty Service Work

#### **WARRANTY EXCLUSIONS:**

This warranty does not cover the following:

- Changes in surface finishes as a result of normal use. As a heating appliance, some changes in color of interior and exterior surface finishes may occur; this is not a flaw and not covered under warranty.
- Damage to printed, plated, or enameled surfaces caused by fingerprints, accidents, misuse, scratches, melted items, or other external sources and residues left on surfaces from the use of abrasive cleaners or polishes.
- Repair or replacement of parts that are subject to normal wear and tear during the warranty period. These parts include: paint, firebricks, grates, flame guides and the discoloration of glass.
- Minor expansion, contraction, or movement of certain parts causing noise. These conditions are normal and complaints related to this noise are not covered by this warranty.

- Damages resulting from: (1) failure to install, operate, or maintain the Product in accordance with the installation instructions, operating instructions, and listing agent identification label furnished with the Product; (2) failure to install the Product in accordance with local building codes; (3) shipping or improper handling; (4) improper operation, abuse, misuse, continued operation with damaged, corroded or failed components, accident, or incorrectly performed repairs; (5) inadequate ventilation, negative pressure or environmental conditions, including, without limitation: hail, snow, ice, fallen branches, flooding, water damage and fading of color; (6) use of fuels other than those specified in the operating instructions; (7) installation or use of components not supplied with the Product or any other components not expressly authorized and approved by HHT; (8) modification of the Product not expressly authorized and approved by HHT in writing; and/or (9) interruptions or fluctuations of electrical power supply to the Product.
- Non-HHT venting components, hearth components or other accessories used in conjunction with the Product.
- Any part of a pre-existing fireplace system in which an insert or a decorative gas appliance is installed.
- The Product's capability to heat the desired space. Information is provided to assist the consumer and the dealer in selecting the proper appliance for the application. Consideration must be given to the Product's location and configuration and environmental conditions.

**This warranty is void if:**

- The Product has been over-fired or operated in atmospheres contaminated by chlorine, fluorine, or other damaging chemicals. Over-firing can be identified by, but not limited to, warped plates or tubes, rust colored cast iron, bubbling, cracking and discoloration of steel or enamel finishes and cracking or spalling of refractory or cementitious materials.
- The Product is subjected to prolonged periods of dampness, condensation, ice or snow.
- There is any damage to the Product or other components due to water or weather damage which is the result of, but not limited to, improper chimney or venting installation.

**LIMITATIONS OF LIABILITY:**

Repair or replacement in accordance with the provisions of this warranty will be the owner's exclusive remedy for and will constitute HHT's sole obligation under this warranty, under any other warranty (express or implied), or in contract, tort or otherwise; provided, however, that if HHT is unable to provide repair or replacement in an expedient and cost effective manner, HHT may discharge all such obligations by refunding the purchase price of the Product. No employee, agent, dealer, or other person is authorized to give any warranty on behalf of HHT. TO THE EXTENT ALLOWED BY LAW, HHT MAKES NO OTHER WARRANTY, EXPRESS OR IMPLIED, INCLUDING ANY WARRANTY OF MERCHANTABILITY OR FITNESS FOR A PARTICULAR PURPOSE. HHT WILL NOT BE LIABLE FOR ANY CONSEQUENTIAL OR INCIDENTAL DAMAGES ARISING OUT OF DEFECTS IN OR USE OF THE PRODUCTS. Some states do not allow exclusions or limitation of incidental or consequential damages, so these limitations may not apply to you. This warranty gives you specific rights; you also may have other rights, which vary from state to state. The duration of any implied warranty is limited to the duration of the warranty period specified herein.

# 2 Product Specific & Important Safety Information

## A. Appliance Certification

**MODELS:** ODPLAZA-L24S-B  
**LABORATORY:** Underwriters Laboratories Inc. (UL)  
**TYPE:** Outdoor Decorative Gas Appliance  
**STANDARD:** ANSI Z21.97-2017 / CSA 2.41-2017

This product is listed to ANSI standards for outdoor decorative gas appliances.

When an appliance is for connection to a fixed piping system, the installation must conform with local codes, or in the absence of local codes with the **National Fuel Gas Code, ANSI Z223.1/NFPA 54, or International Fuel Gas Code.**

## B. BTU Specifications

Maximum allowable BTU ratings:

Burner Pans U.S. (0-2000 FT) or Canada (2000-4500 FT)	Natural Gas	Propane Gas
	Orifice .089 #43	Orifice .063 #52
1	32,000	32,000
2	65,000	65,000
3	100,000	100,000
4	124,000	124,000
5	147,000	147,000

Installation and service of this appliance should be performed by qualified personnel. Hearth & Home Technologies recommends HHT Factory Trained or NFI certified professionals.



**WARNING:** Improper installation, adjustment, alteration, service or maintenance can cause injury or property damage. Read the installation, operating and maintenance instructions thoroughly before installing or servicing this equipment.

## C. California

**WARNING:** This product and the fuel used to operate this product, and the products of combustion of such fuel, can expose you to chemicals including benzene, which is known to the State of California to cause cancer and reproductive harm. For more information go to [www.P65Warnings.ca.gov](http://www.P65Warnings.ca.gov).

## D. Appliance Safety

**WARNING! DO NOT operate appliance before reading and understanding operating instructions. Failure to operate appliance according to operating instructions could cause fire or injury.**

To prevent unintended operation when not using your fireplace for an extended period of time (winter months, vacations, trips, etc.) turn off Propane tank.

## Clear Space

**CAUTION!** High temperatures could start a fire. Avoid placing candles and other heat-sensitive objects near burner. Heat could damage these objects.

NOTE: Installation and repair should be done by a qualified service person. The appliance should be inspected before use and at least annually by a qualified service person. More frequent cleaning may be required as necessary. It is imperative that the control compartment, burners, and circulating air passageways of the appliance are kept clean.

The Plaza series gas appliance is designed for outdoor use and may be installed as a stand alone unit or built against a wall as long as it is noncombustible and comes to the edge of the opening of the burner. Do not cover over top of burner.

Outdoor spaces - For the purpose of these instructions, an appliance is considered to be outdoors if installed with shelter no more inclusive than:

1. With walls on all sides, but no overhead cover
2. Within a partial enclosure which includes an overhead cover and no more than two side walls. These side walls may be parallel, as in a breezeway, or at right angles to each other; or
3. Within a partial enclosure which includes an overhead cover and three sidewalls, as long as 30% or more of the horizontal periphery of the enclosure is permanently open.

Note: Screen may be used on the open sides of the shelter, 14x18 and 16x18 screen mesh is approved for use. DO NOT use solar screen or no-see-um screen.

**Note:** Some changes to the flatness of the burner lip and discoloring due to heat is considered normal.

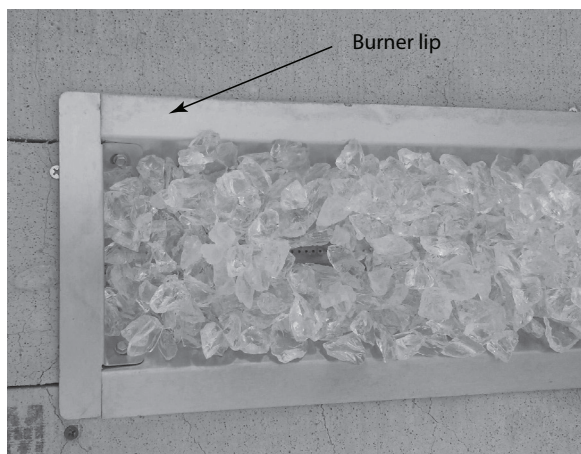


Figure 2.1 Burner Lip

## E. Fuel Specifications

**WARNING! RISK OF FIRE OR EXPLOSION!** Appliance must be set up for compatible gas type!

- This appliance is designed to operate on either natural gas or propane. Make sure the appliance is compatible with gas type selected for installation site.
- Conversions must be made by a qualified service technician using Hearth & Home Technologies specified and approved parts.

## F. Before Lighting Appliance

Before operating this appliance for the first time, **have a qualified service technician:**

- Verify all shipping materials have been removed from inside and/or underneath the burner.
- Ensure there are no gas leaks.
- Remove all stainless steel coating material.

## G. Lighting Appliance

1. A device which is long enough to light the appliance from safe distance (long butane lighter or long match) should be used.
2. Hold flame over burner pan center.
3. Push in safety valve knob and hold in. Flame should ignite.
4. Hold knob for 10 to 20 seconds and then release. Flame should stay lit. Turn knob to the left. If flame does not stay lit, repeat step 1 through 4.
5. Turn knob all the way to the right to turn off the gas supply.

# 3 Lighting Instructions

## WARNING! FOR YOUR SAFETY READ BEFORE LIGHTING!

If you do not follow these instructions exactly, a fire or explosion may result causing property damage, personal injury or loss of life.

- A. This appliance has a manually lighted burner, and must be lit by hand. When lighting the burner, follow these instructions exactly.
- B. BEFORE LIGHTING smell all around the appliance area for gas. Be sure to smell next to the floor because some gas is heavier than air and will settle to the floor.
- C. Do not use this appliance if any part has been under water. Immediately call a qualified service technician to inspect the appliance and to replace any part of the control system and any gas control which has been under water.

### WHAT TO DO IF YOU SMELL GAS

- Do not try to light any appliance.
- Do not touch any electric switch; do not use any phone in your building.
- Immediately call your gas supplier from a neighbor's phone. Follow the gas supplier's instructions.
- If you cannot reach your gas supplier, call the fire department.

The LP gas supply cylinder must be disconnected when this appliance is not in use. Only cylinders marked "propane" shall be used.

## LIGHTING INSTRUCTIONS

1. STOP! Read the safety instruction label.
2. Turn the gas control manual valve to the full "OFF" position.
3. Wait five minutes to clear out any gas. If you smell gas, STOP! Follow "B" on the safety portion of this label. If you don't smell gas, go to next step.
4. Place a burning match on the surface of the burning embers. Do not hold match in hand.
5. Turn gas control manual valve to the full "ON" position.
6. If appliance will not operate, follow the instructions "TO TURN OFF GAS APPLIANCE" and call your service technician or gas supplier.
7. Multiple valve configurations should be lit separately.

## TO TURN OFF GAS APPLIANCE

1. Turn gas control manual valve to full "OFF" position.

4079-319A

**WARNING! Risk of Fire or Burns!** When lighting the burner, be sure to use a long lighter with the flame held on top of the media or by placing a burning match on top of the media before turning on the gas. Keep hands and face away from the top of the burner when lighting. Follow lighting instructions or serious injury could occur.

**NOTE:** DO NOT operate appliance in winds over 40 mph.

## 4 Maintenance and Service

---

Installation and repair should be done by a qualified service person. The appliance should be inspected before use and at least annually by a qualified service person. More frequent cleaning may be required as necessary. It is imperative that control compartment, burners, and circulating air passageways of the appliance be kept clean.

**NOTE:** If the appliance is installed on a screened porch, ensure the screen is kept clean to maintain proper air-flow.

### Cleaning the Media

During shipment of the media, dust and debris can accumulate. It is recommended that the media be rinsed thoroughly with water to remove dust and small particles. An easy method to clean the media is to place the media into a pail and rinse thoroughly. Spread the media out over paper towels and allow the media to dry before installing them into the fireplace.

### Cleaning the Appliance

**Caution!** Before cleaning make sure the unit is cool and the power to the unit is turned off.

Using a stainless steel cleaner. Apply to a terry cloth and wipe unit following the grain of the stainless. Do not spray cleaner directly onto the unit.

### Moisture Resistance

This outdoor gas appliance will shed moderate amounts of water, but is not waterproof. Water and condensing water vapor may enter the enclosure under certain conditions

**Note:** Take drainage into consideration when building enclosure. Water **MUST** be able to drain away from the enclosure.

# 5 Troubleshooting

Below indicates some potential causes and counter measures to the symptoms indicated in bold. Please contact your dealer or certified technician for service and repair.

<b>Problem</b>	<b>Possible Causes</b>	<b>Solution</b>
<b>Burner will not light</b>	Air gas line	Bleed air from gas line by slowly opening valve
		Propane (LP) - check gas level in tank
	No gas flow - gas not ON or line obstruction	Confirm gas is ON upstream
	Burner orifice is plugged or obstructed	Possible debris in line - insulation, dirt, plastic, etc.
<b>Burner will not stay lit</b>	Gas pressure improper	Confirm proper gas pressure
	Burner obstructed	Confirm no water or debris in burner
	Too windy	Use when less windy or with our wind shield
<b>Flame is creating large amount of soot</b>	Propane (LP) - check air shutter setting, venturis are blocked with debris, grass, dirt, etc.	Open air shutter or clean debris
<b>Noise when lit</b>	Whistling - flex line bent too sharp	Re-routing flex line to reduce bend
	Propane (LP) - humming regulator	Not a defect - normal occurrence on hot days due to internal vibrations in regulator

# 6 Reference Materials

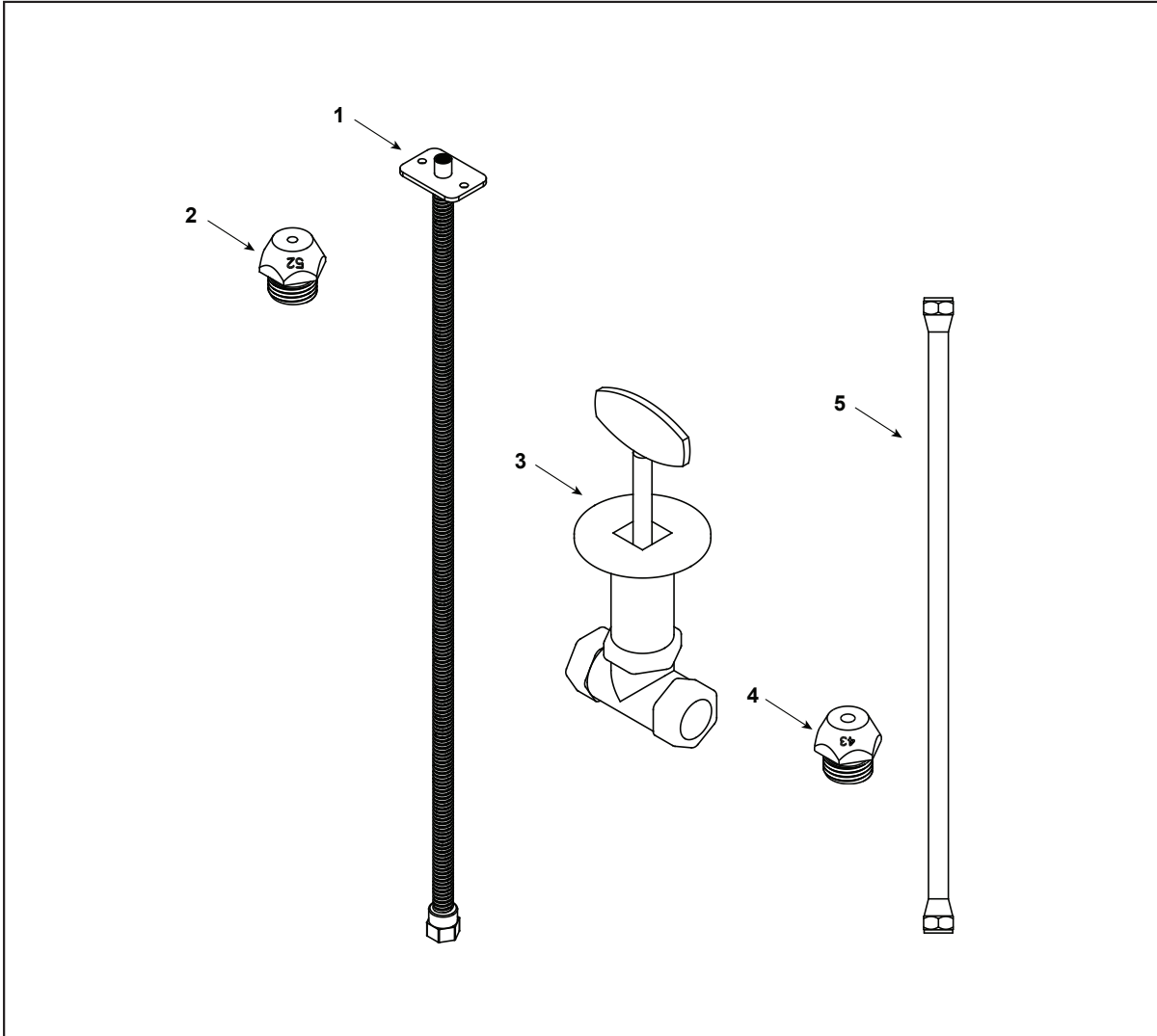
## ► A. Service Parts



### Service Parts ODPLAZA-L24S, ODPLAZA-L24E

Plaza Linear Fire Pan

Beginning Manufacturing Date: May 2019  
Ending Manufacturing Date: Active



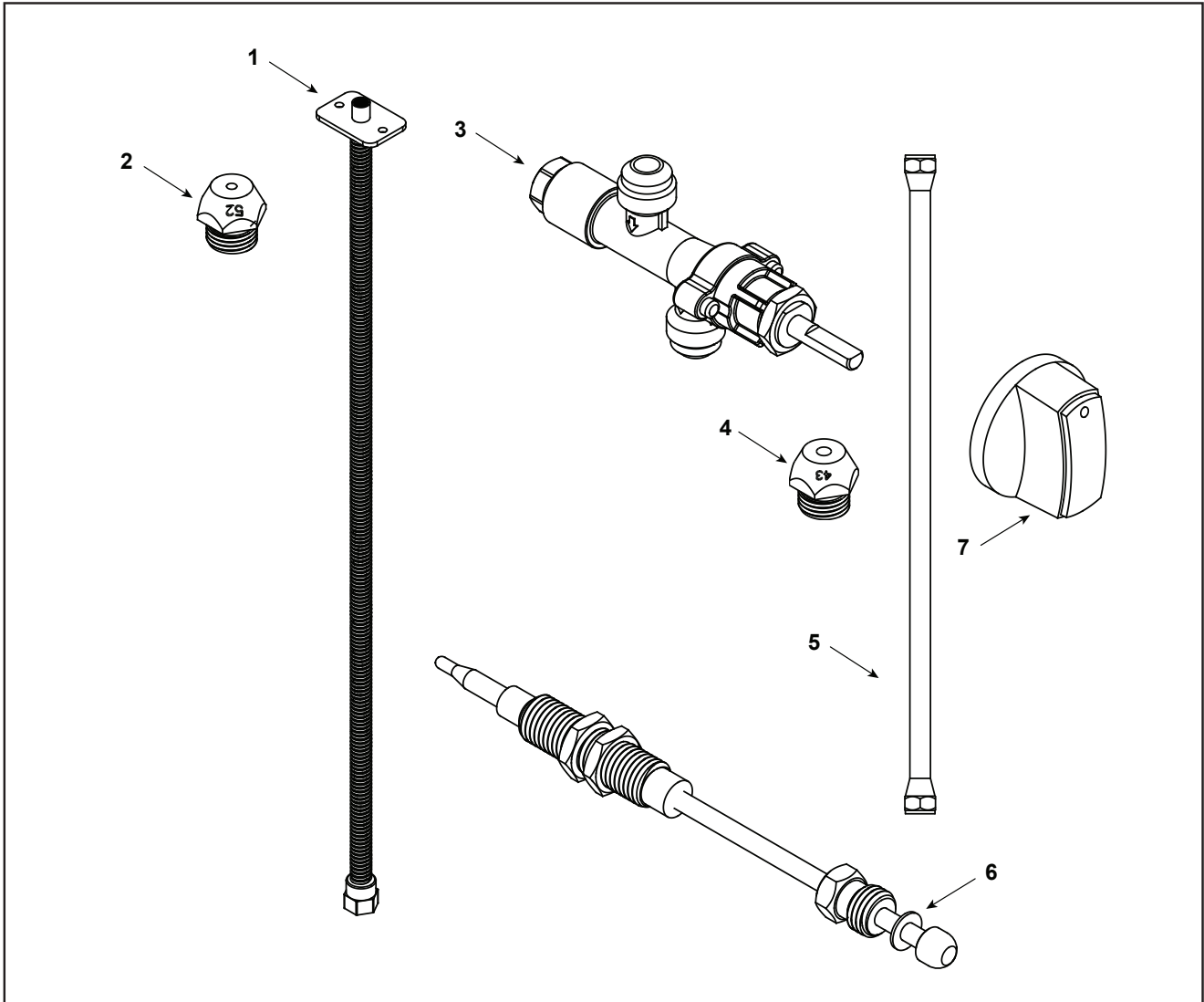
IMPORTANT: THIS IS DATED INFORMATION. Parts must be ordered from a dealer or distributor. **Hearth and Home Technologies does not sell directly to consumers.** Provide model number and serial number when requesting service parts from your dealer or distributor.



**Stocked  
at Depot**

ITEM	DESCRIPTION	COMMENTS	PART NUMBER	
1	Bulkhead, Flexible 24"		SRV4079-302	
2	Orifice (#52C)	Propane	SRV582-852	Y
3	Ball Valve, 1/2" NPT	ODPLAZA-L24S Only	SRV4079-304	
4	Orifice (#43C)	Natural	SRV582-843	Y
5	Flex Gas Line, 16"		SRV4121-006	
	Tube Fitting, 1/2" NPT 3/8"		SRV27D7306	

8/20



**IMPORTANT: THIS IS DATED INFORMATION.** Parts must be ordered from a dealer or distributor.
   
**Hearth and Home Technologies does not sell directly to consumers.** Provide model number
   
 and serial number when requesting service parts from your dealer or distributor.



**Stocked at Depot**

ITEM	DESCRIPTION	COMMENTS	PART NUMBER	
1	Bulkhead, Flexible 24"		SRV4079-302	
2	Orifice (#52C)	Propane	SRV582-852	Y
3	Valve		SRV4018-162	
4	Orifice (#43C)	Natural	SRV582-843	Y
5	Flex Gas Line, 16"		SRV4121-006	
	Tube Fitting, 1/2" NPT 3/8"		SRV27D7306	
6	Thermocouple		SRV4018-161	
7	Valve Knob		SRV4018-160	

## B. Accessories

- FK-ODPLAZA-L24S Framing Kit Starter
- FK-ODPLAZA-L24E Framing Kit Extension

► • Wind Shield Kit:

**Glass Kit Order Chart**

Number of Sections	WS-ODPLAZA-L28S	WS-ODPLAZA-L24E	WS-ODPLAZA-L28E	Total Dimension
1	1	0	0	28-1/2 x 10-1/4 in (724 x 260 mm)
2	1	0	1	56-1/2 x 10-1/4 in (1435 x 260 mm)
3	1	1	1	80-1/4 x 10-1/4 in (2038 x 260 mm)
4	1	2	1	104-1/2 x 10-1/4 in (2654 x 260 mm)
5	1	3	1	128-3/4 x 10-1/4 in (3270 x 260 mm)

- LPTK-ODPLAZA-L Propane Tank Kit  
(kit includes door, door frame, tank restraint system and regulator)

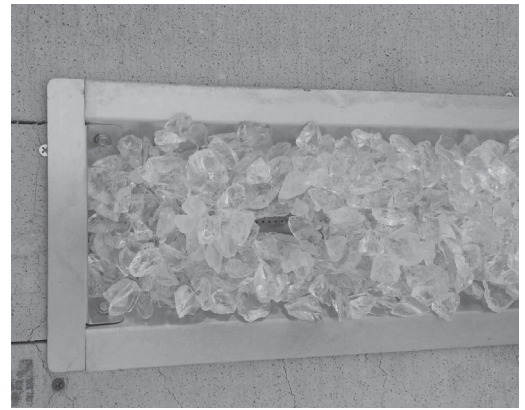
► • Media Material:

MEDIA - LAVA	2x5 lb bags
MEDIA - COBALT	2x5 lb bags
MEDIA - AMBER	2x5 lb bags
MEDIA - BLACK	2x5 lb bags
MEDIA - CRYSTAL	2x5 lb bags

**NOTE: 10 lbs per 24 inch sections**



Lava Rock



Glass Media

- CVR-ODPLAZA 24 inch Burner Cover
- VK-ODPLAZA-B Valve Kit

**Valve Kit Order Chart**

Number of Burners	1	2	3	4	5
Additional VK-ODPLAZA-B to order	0	0	1	1	2

## C. Contact Information



Hearth & Home Technologies  
7571 215th Street West  
Lakeville, MN 55044  
www.hearthnhome.com

**Please contact your Outdoor Lifestyles dealer with any questions or concerns.**

For the number of your nearest Outdoor Lifestyles dealer, please visit [www.hearthnhome.com](http://www.hearthnhome.com).

### – NOTES –

---

---

---

---

---

---

---

---

---

---

<b>CAUTION</b>		
	<b>DO NOT DISCARD THIS MANUAL</b>	
• Important operating and maintenance instructions included.	• Read, understand and follow these instructions for safe installation and operation.	• Leave this manual with party responsible for use and operation.

This product may be covered by one or more of the following patents: (United States) 6601579, 6769426, 6863064, 7077122, 7074035, 7098269, 7234932, 7258116, 7322819, 7422011, 7470729, 7726300, 8147240, 9625149 or other U.S. and foreign patents pending.

2000-945E

Printed in U.S.A. - Copyright 2019