

This Owner's Manual is provided and hosted by [Appliance Factory Parts](http://www.appliancefactoryparts.com).



Alfresco ARTSB1 Owner's Manual

[Shop genuine replacement parts for Alfresco ARTSB1](#)



[Find Your Alfresco Grill Parts - Select From 126 Models](#)

----- Manual continues below part list -----

Available Replacement Parts for Alfresco ARTSB1

290-0030	Knob for Alfresco
100-0917	GAS LINE 8 IN L X 3/8 IN DIA FLEX SS TUB
290-0222	Inner Cap.
220-0291	Orifice, NG.
220-0292	Orifice, LP
210-0228	BATTERY HOLDER SWTCH/PUSH BUTTON IGNITER
290-0320	GAS VALVE, MAIN

Artisan



ART-SB1

BUILT-IN SIDE BURNER UNIT

Artisan

THE INFORMATION CONTAINED IN THIS DRAWING IS THE SOLE PROPERTY OF SUPERIOR EQUIPMENT SOLUTIONS INC. ANY REPRODUCTION IN PART OR AS A WHOLE WITHOUT WRITTEN PERMISSION FROM SUPERIOR EQUIPMENT SOLUTIONS, INC. IS PROHIBITED.

DRAWN BY: ADRIAN CRISCI

PROJECT TITLE:

ARTISAN SIDE BURNER

DRAWING TITLE:

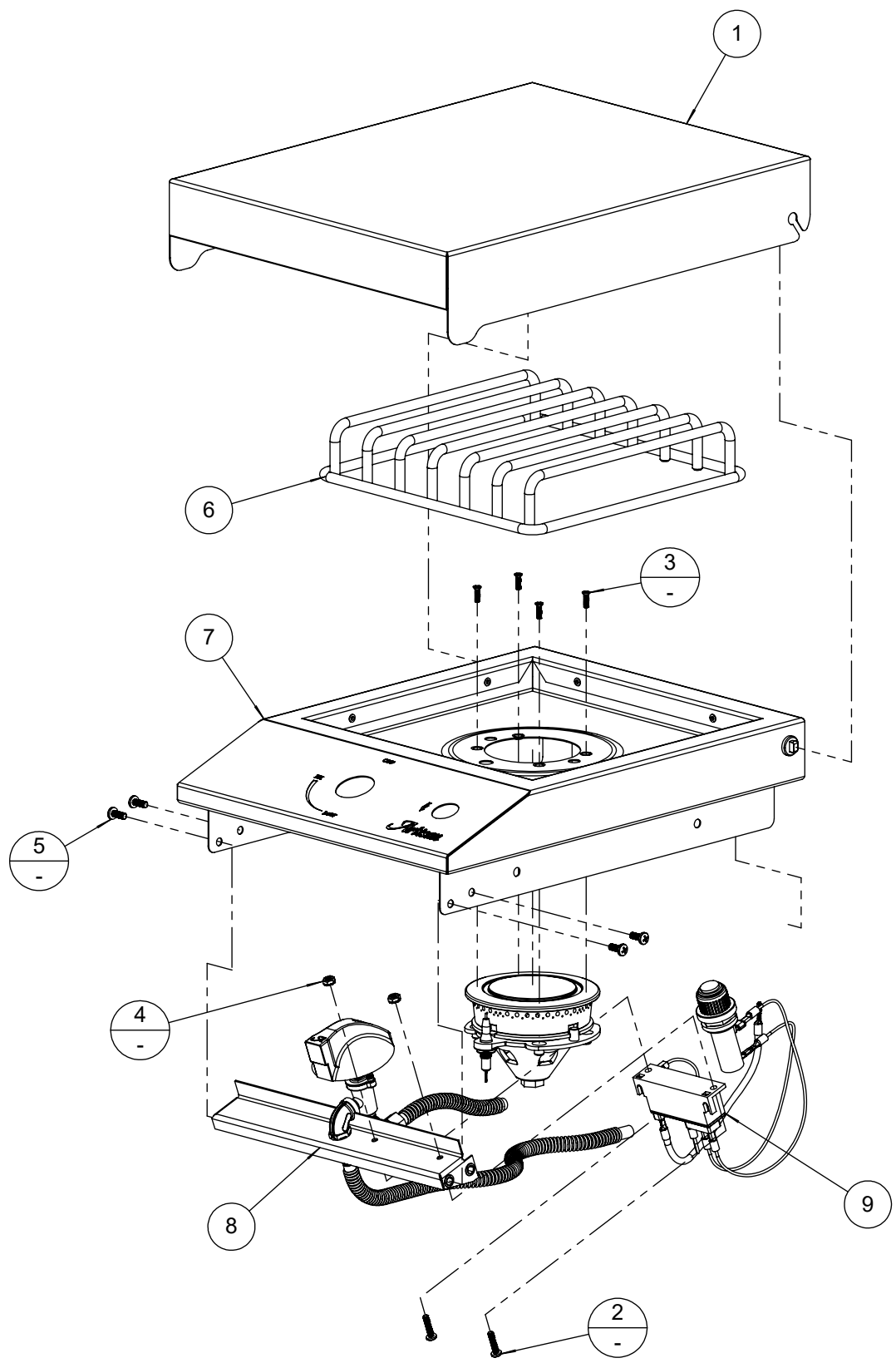
DRAWING NO.:

500-0098 MANUAL

SUPERIOR EQUIPMENT SOLUTIONS
700 EAST CALIFORNIA AVENUE

BILL OF MATERIALS

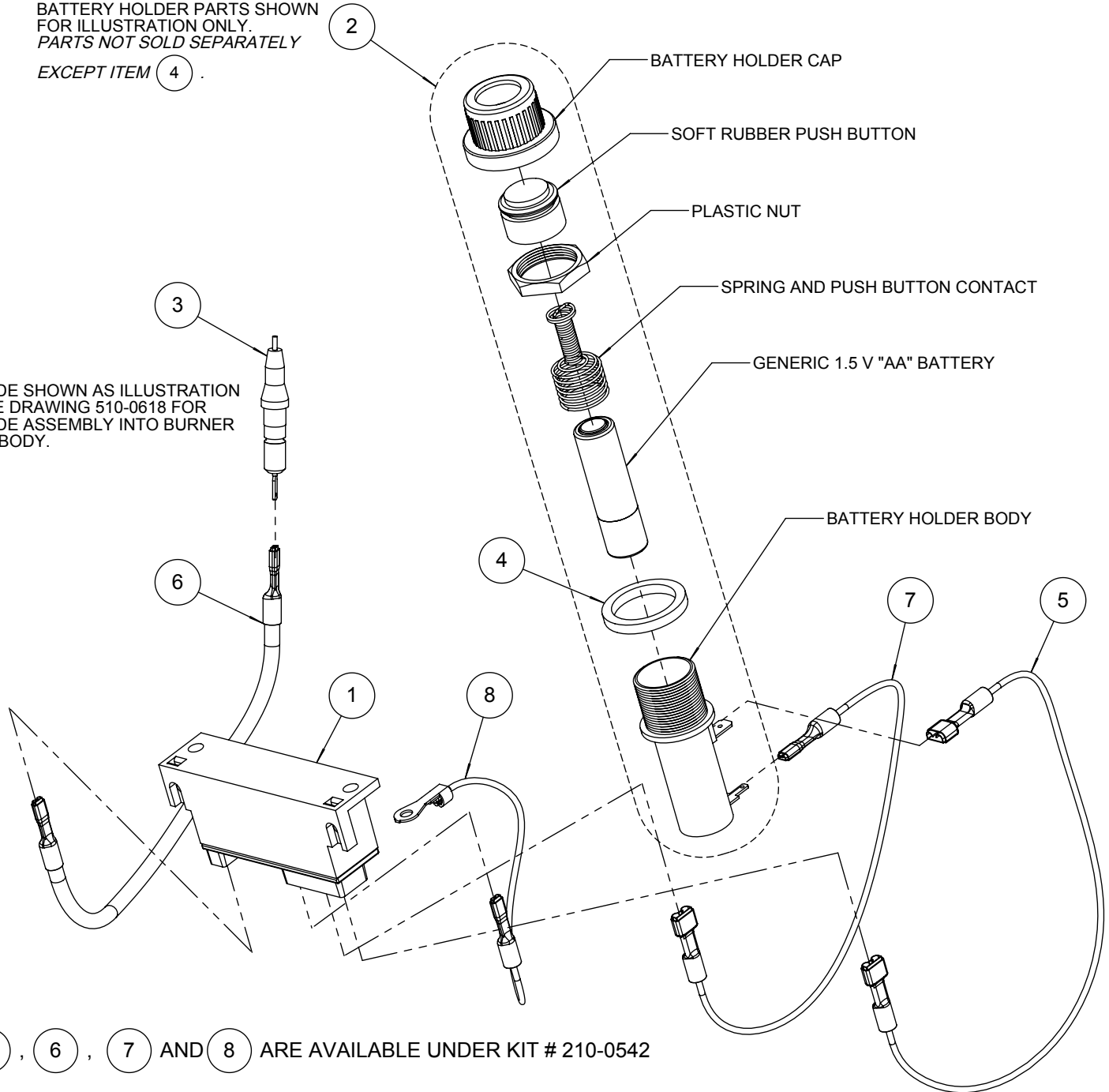
ITEM	PART N°	DESCRIPTION	QTY
1	100-2925	ART-SB1 REMOVABLE COVER	1
2	200-0079	8-32 X 3/4 - PAN HEAD - PHILIPS SCREW	2
3	200-0098	SCREW 6-32 X 1/2" - FLAT HEAD 82° - PHILIPS	4
4	200-0206	8-32 KEP NUT 18-8 STAINLESS	2
5	200-0267	10-32 X 1/2 - PAN HEAD - PHILLIPS SCREW	4
6	290-0340	ART-SB1 GRID	1
7	510-0615	ART-SB1 SIDE BURNER MAIN BODY	1
8	510-0618	ART-SB1 SIDE BURNER PIPING - <i>SEE PARTS DRAWING</i>	1
9	510-0658	ARTISAN ART-SB1 ELECTRICAL - <i>SEE PARTS DRAWING</i>	1



BILL OF MATERIALS

ITEM	PART N°	DESCRIPTION	QTY
1	210-0226	ARTISAN SIDE BURNER IGNITER MODULE	1
2	210-0228	ARTISAN SIDE BURNER IGNITER BATTERY HOLDER	1
3	290-0074	ARTISAN SIDE BURNER ELECTRODE	1
4	290-0341	O-RING $\frac{7}{8}$ x $1\frac{1}{8}$ x $\frac{1}{8}$ - SQUARE - BUNA -N	1
5	SEE NOTE	ARTISAN IGNITER WIRE - 10" LONG - BATTERY (-)	1
6	SEE NOTE	ARTISAN IGNITER WIRE - 10" LONG - ELECTRODE	1
7	SEE NOTE	ARTISAN IGNITER WIRE - 9" LONG - BATTERY (+)	1
8	SEE NOTE	ARTISAN IGNITER WIRE - 9" LONG - GROUND	1

BATTERY HOLDER PARTS SHOWN FOR ILLUSTRATION ONLY. PARTS NOT SOLD SEPARATELY EXCEPT ITEM 4.



ELECTRODE SHOWN AS ILLUSTRATION ONLY. SEE DRAWING 510-0618 FOR ELECTRODE ASSEMBLY INTO BURNER KIT MAIN BODY.

NOTE:
 ITEMS 5, 6, 7 AND 8 ARE AVAILABLE UNDER KIT # 210-0542
 ITEMS ARE NOT SOLD SEPARATELY.



THE INFORMATION CONTAINED IN THIS DRAWING IS THE SOLE PROPERTY OF SUPERIOR EQUIPMENT SOLUTIONS INC. ANY REPRODUCTION IN PART OR AS A WHOLE WITHOUT WRITTEN PERMISSION FROM SUPERIOR EQUIPMENT SOLUTIONS, INC. IS PROHIBITED.
DRAWN BY: ADRIAN CRISCI

PROJECT TITLE:
ARTISAN SIDE BURNER
 DRAWING TITLE:

DRAWING NO.:
510-0658 MANUAL