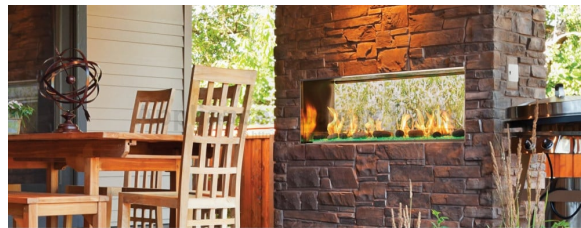


This Owner's Manual is provided and hosted by [Appliance Factory Parts](#).



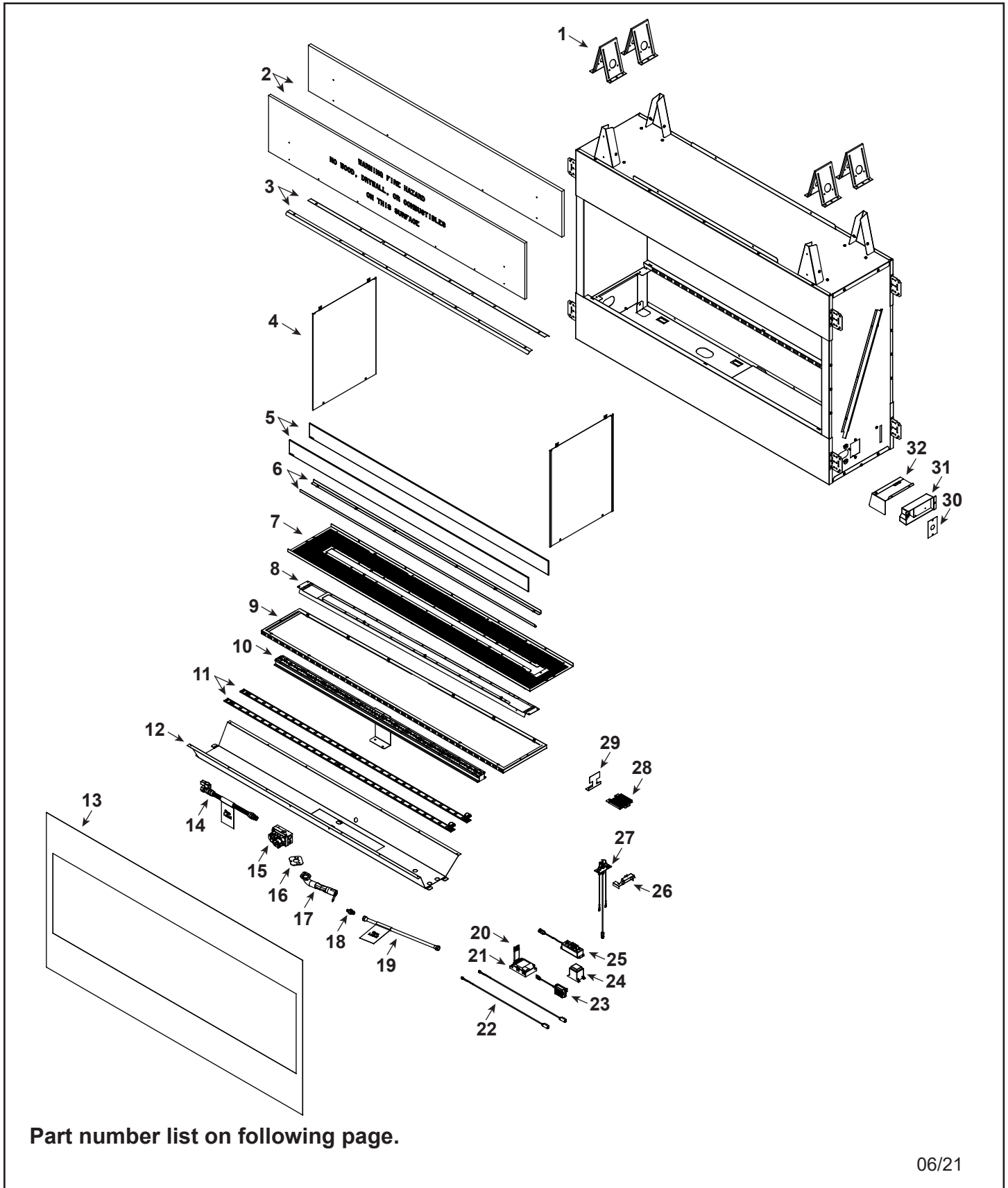
# Monessen Hearth ODLANAIGST-48 Owner's Manual

[Shop genuine replacement parts for Monessen Hearth  
ODLANAIGST-48](#)



[Find Your Monessen Hearth Fireplace Parts - Select From 701 Models](#)

----- Manual continues below -----





Service Parts

**ODLANAIGST-48**

Beginning Manufacturing Date: April 2021  
Ending Manufacturing Date: Active

by hearth & home technologies®  
IMPORTANT: THIS IS DATED INFORMATION. Parts must be ordered from a dealer or distributor.  
**Hearth and Home Technologies does not sell directly to consumers.** Provide model number and serial number when requesting service parts from your dealer or distributor.



**Stocked at Depot**

| ITEM | DESCRIPTION                 | COMMENTS  | PART NUMBER |   |
|------|-----------------------------|-----------|-------------|---|
| 1    | Top Standoff                | Qty 4 req | 11864I      |   |
| 2    | Non-combustible Board       | Qty 2 req | SRV4111-325 |   |
| 3    | Hood                        | Qty 2 req | SRV4111-135 |   |
| 4    | Overlay Kit                 |           | SRV4111-025 |   |
| 5    | Deflection Glass            | Qty 2 req | SRV4111-301 |   |
| 6    | Flex Gas Line 16"           |           | SRV4121-006 | Y |
| 7    | Screen Cover                |           | SRV4113-109 |   |
| 8    | Burner Bottom Inner         |           | SRV4111-111 |   |
| 9    | Burner Bottom Outer         |           | SRV4111-110 |   |
| 10   | Burner Assembly             |           | SRV4111-021 | Y |
| 11   | LED Light Strip             | Qty 2 req | SRV4099-321 | Y |
| 12   | LED Mount                   |           | SRV4111-113 |   |
| 13   | Overlay Complete            |           | SRV4113-025 |   |
| 14   | Flex Line w/Shutoff         |           | SRV302-320  | Y |
| 15   | Valve Assembly, NG          |           | SRV593-500  | Y |
| 16   | Venturi Gasket              |           | SRV45D0032  | Y |
| 17   | Venturi Assembly            |           | SRV4099-036 | Y |
| 18   | Orifice Flare #26 NG        |           | SRV4018-347 | Y |
| 19   | Glass Bracket               | Qty 2 req | SRV4111-153 |   |
| 20   | Wire Assembly               |           | SRV593-590  | Y |
| 21   | IPI Control Module          |           | SRV593-592  | Y |
| 22   | Wire LED Adapter            |           | SRV4018-114 | Y |
| 23   | 3V Transformer              |           | SRV593-593  | Y |
| 24   | LED Power Module            |           | 20308559K   | Y |
| 25   | LED Control Module          |           | SRV4121-160 | Y |
| 26   | Pilot Bracket               |           | SRV4111-150 |   |
| 27   | Pilot Assembly, NG          |           | SRV4018-065 | Y |
| 28   | Pilot Shield                |           | SRV4111-151 |   |
| 29   | Jig, Media Placement        |           | SRV4111-152 |   |
| 30   | Cover Plate                 |           | SRV4604-103 |   |
| 31   | Junction Box                |           | SRV4021-013 | Y |
| 32   | Junction Box Cover Assembly |           | SRV4111-032 |   |
|      |                             |           |             |   |
|      |                             |           |             |   |
|      |                             |           |             |   |
|      |                             |           |             |   |
|      |                             |           |             |   |
|      |                             |           |             |   |

Additional service part numbers appear on following page.

