

This Owner's Manual is provided and hosted by [Appliance Factory Parts](#).



Alfresco ASK-T Owner's Manual

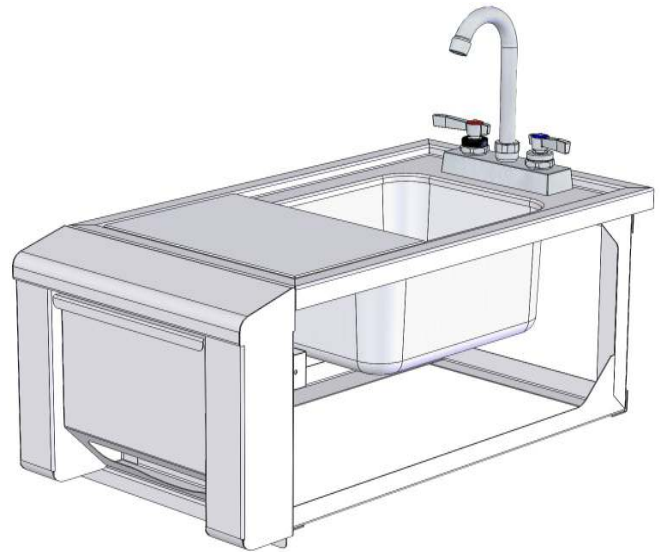
[Shop genuine replacement parts for Alfresco ASK-T](#)



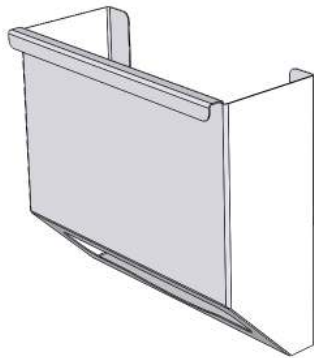
[Find Your Alfresco Other Parts - Select From 33 Models](#)

----- Manual continues below -----

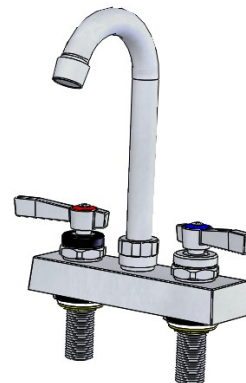
**ASK-T
PARTS LIST**



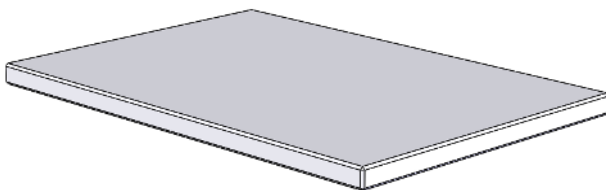
ASK-T



TOWEL HOLDER
130-1610M



FAUCET
290-0171



CUTTING BOARD
130-1612



MAGNETIC CATCH
290-0283