

This Owner's Manual is provided and hosted by [Appliance Factory Parts](#).



# Monessen Hearth MONTANA-36H Owner's Manual

[Shop genuine replacement parts for Monessen Hearth  
MONTANA-36H](#)



[Find Your Monessen Hearth Fireplace Parts - Select From 701 Models](#)

----- Manual continues below -----

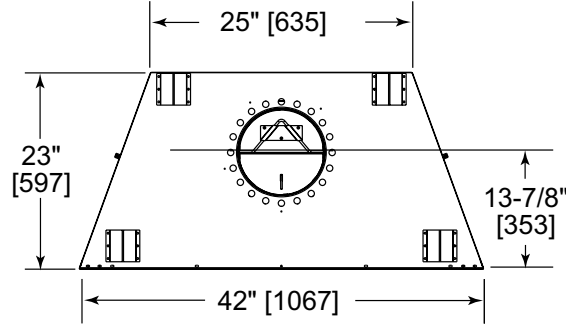


Please consult the manufacturer's installation manual for all details and requirements before making a final design layout decision.

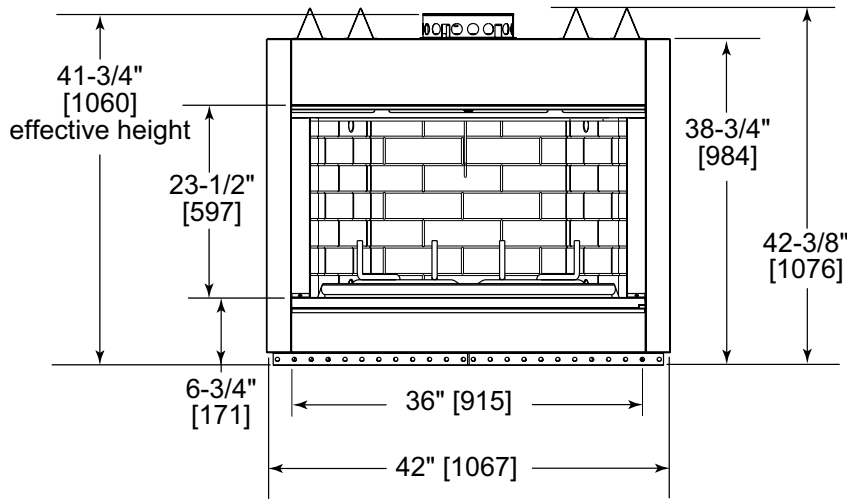
# Montana 36

Outdoor Wood Fireplace

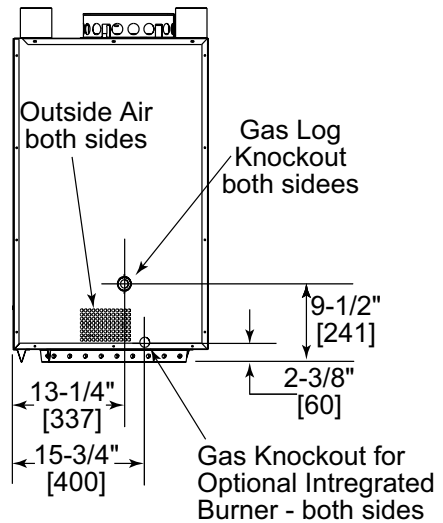
MODEL	FRONT WIDTH		BACK WIDTH		HEIGHT		DEPTH		FIREBOX OPENING
	Actual	Framing	Actual	Framing	Actual	Framing	Actual	Framing	
MONTANA-36	42	43	25	43	41-3/4	42-3/8	23	24-1/8	36 x 23-1/2



Top View

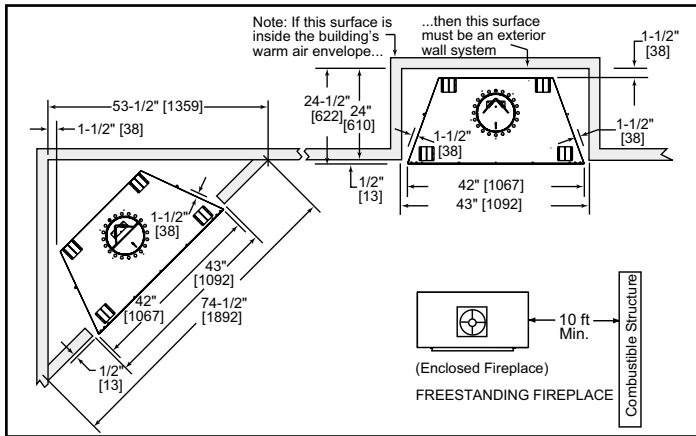


Front View

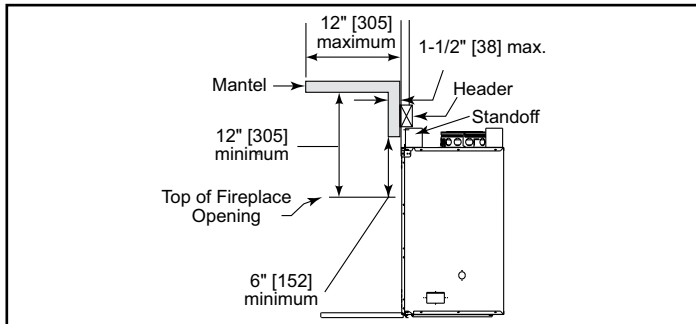


Side View

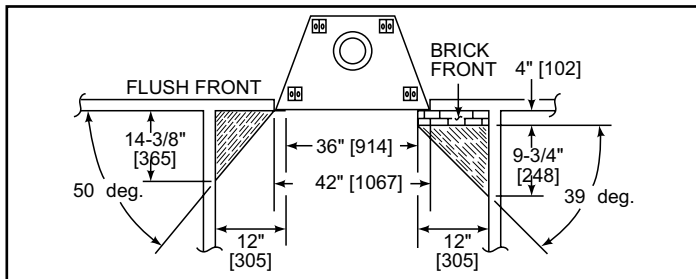
APPLIANCE LOCATION



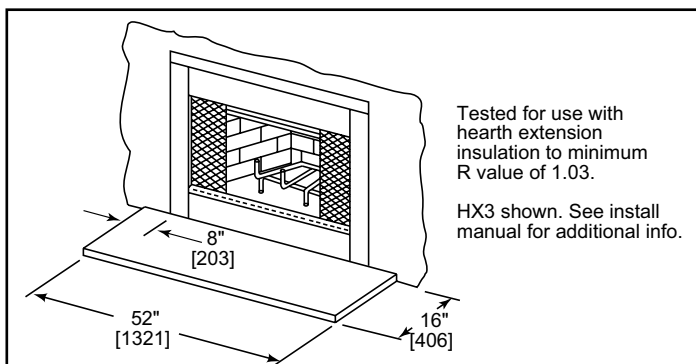
MANTEL PROJECTIONS



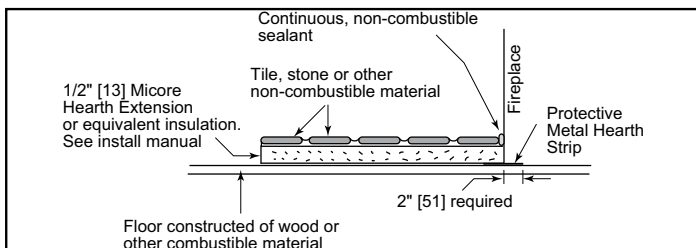
MANTEL LEG/WALL PROJECTIONS



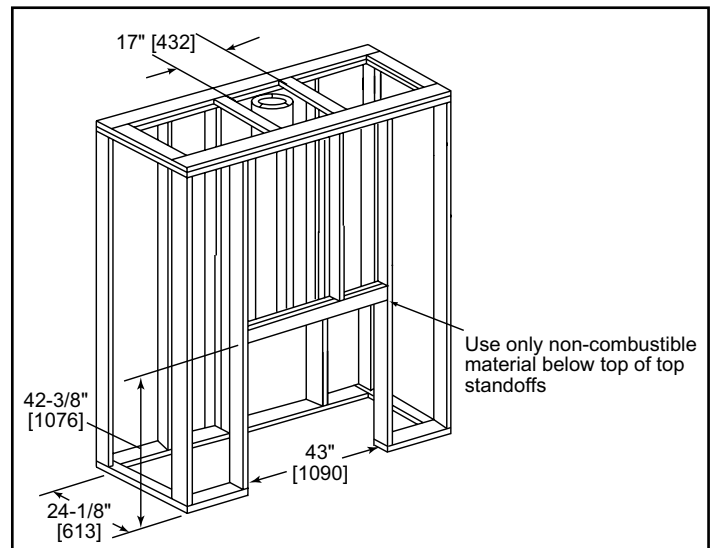
HEARTH EXTENSION



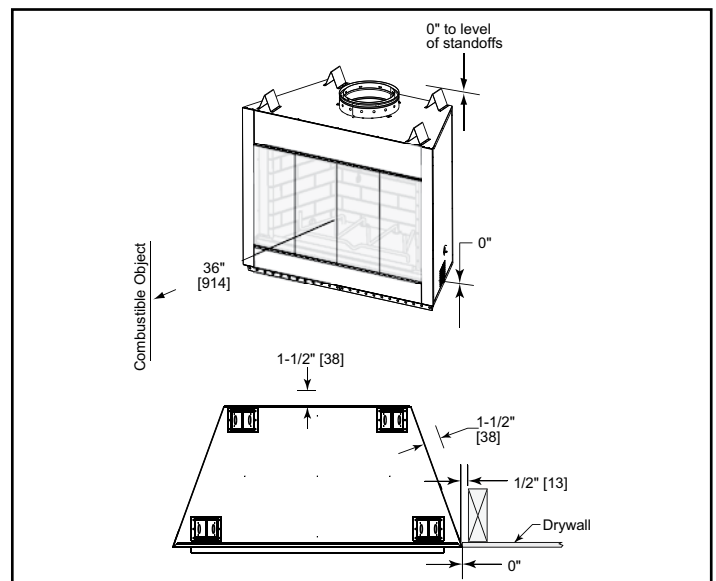
HEARTH EXTENSION CONSTRUCTION



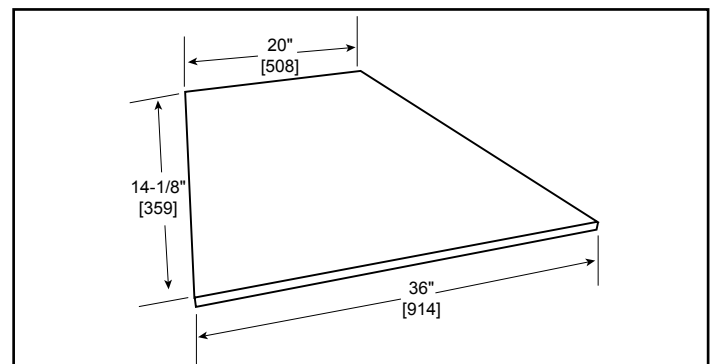
FRAMING DIMENSIONS



CLEARANCES TO COMBUSTIBLES



HEARTH DIMENSIONS



PRODUCT LISTING CODES	
US	UL127
CAN	ULC-S610-M87

Product information provided is not complete and is subject to change without notice. Product installation must adhere strictly to instructions accompanying product to avoid risk of fire and potential injury.

Additional information can be found online at [www.fireplaces.com](http://www.fireplaces.com)