

This Owner's Manual is provided and hosted by [Appliance Factory Parts](#).



Monessen Hearth TWILIGHT-MD-IFT Owner's Manual

[Shop genuine replacement parts for Monessen Hearth
TWILIGHT-MD-IFT](#)



[Find Your Monessen Hearth Fireplace Parts - Select From 701 Models](#)

----- Manual continues below -----



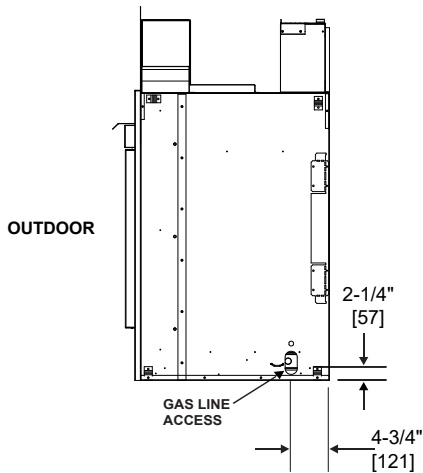
Please consult the manufacturer's installation manual for all details and requirements before making a final design layout decision.

Twilight

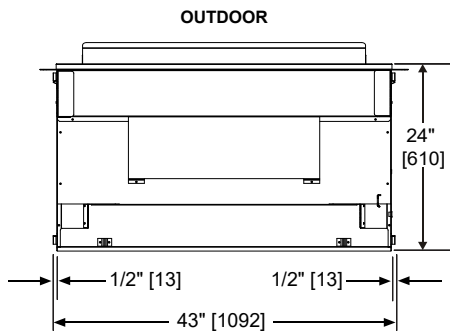
Indoor/Outdoor Gas Fireplace

MODEL	INSIDE WIDTH		OUTSIDE WIDTH		INSIDE HEIGHT		OUTSIDE HEIGHT		DEPTH		GLASS SIZE	BTU/HR INPUT
	Actual	Framing	Actual	Framing	Actual	Framing	Actual	Framing	Actual	Framing		
Twilight-IFT, Twilight-MD-IFT	43"	44"	43"	44"	46-7/8"	47-5/8"	46-7/8"	47-5/8"	24"	23"	35-5/8" x 21-1/2"	38,000

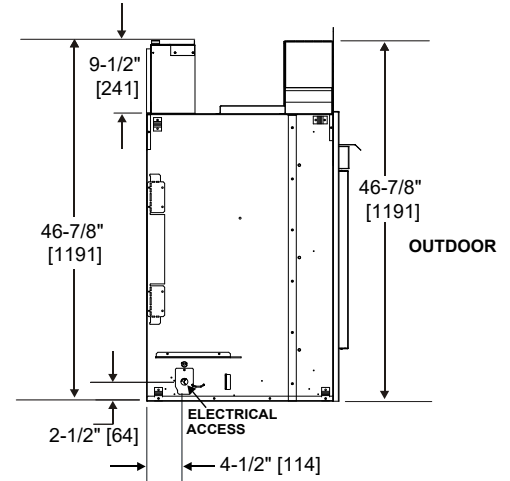
Left Side



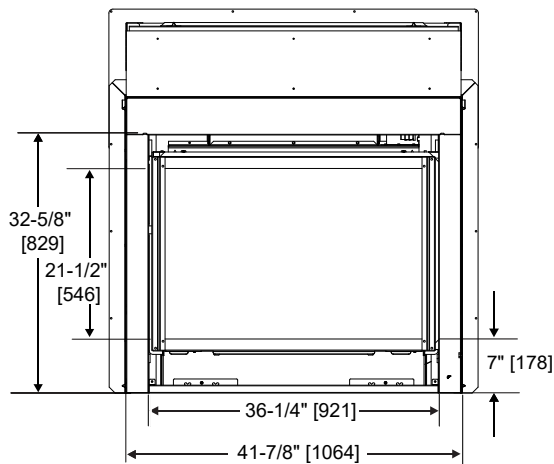
Top



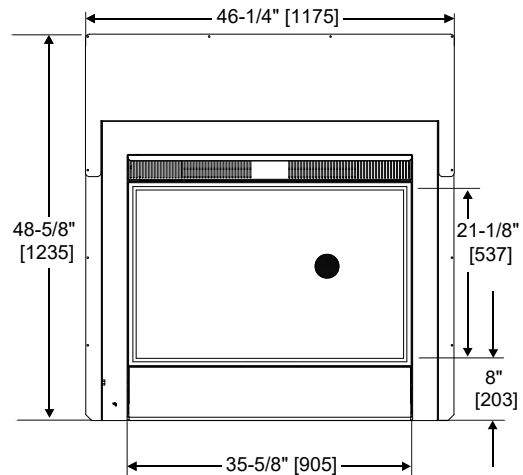
Right Side



Interior View



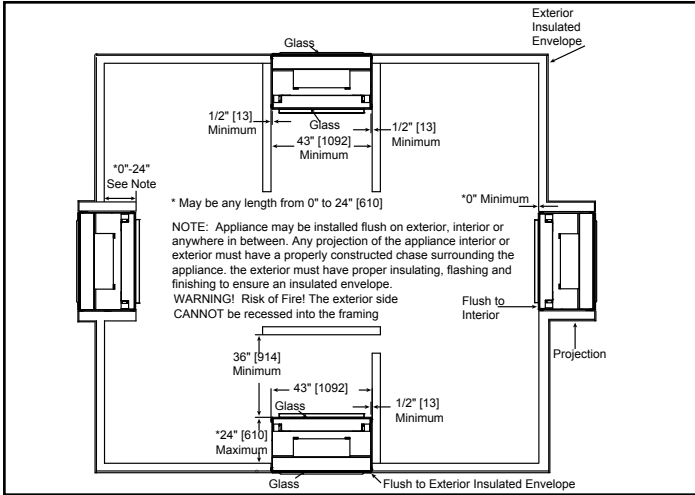
Exterior View



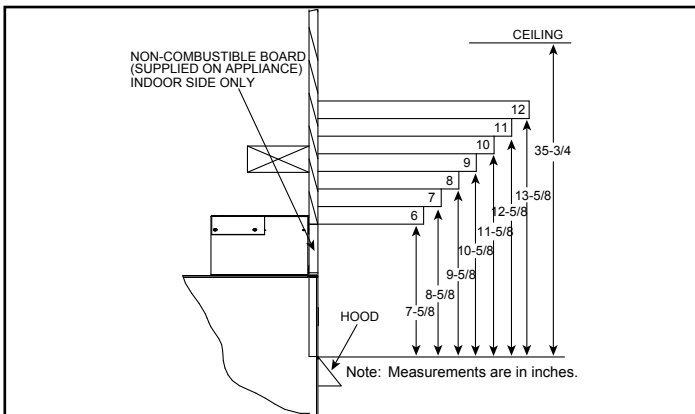
MINIMUM FIREPLACE CLEARANCES

AREA	TO COMBUSTIBLES (in inches)
CLEARANCE TO CEILING/OVERHANG	See mantel projections and clearance to combustible diagrams
COMBUSTIBLE/NON-COMBUSTIBLE FLOOR	0
SIDES OF APPLIANCE	1/2

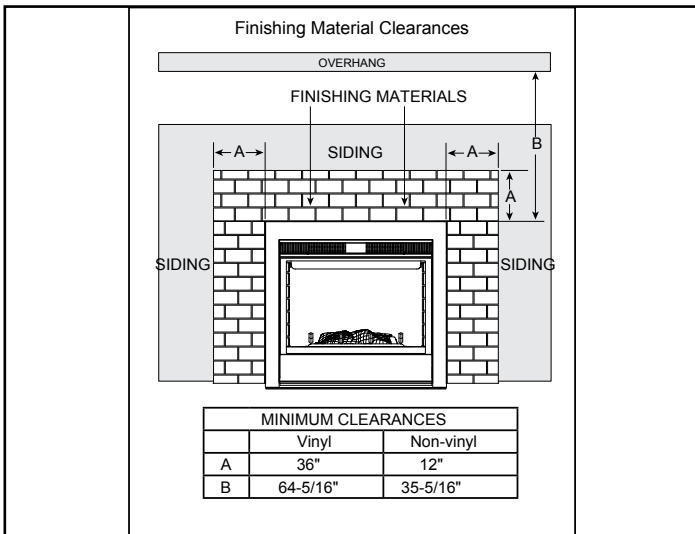
APPLIANCE LOCATION



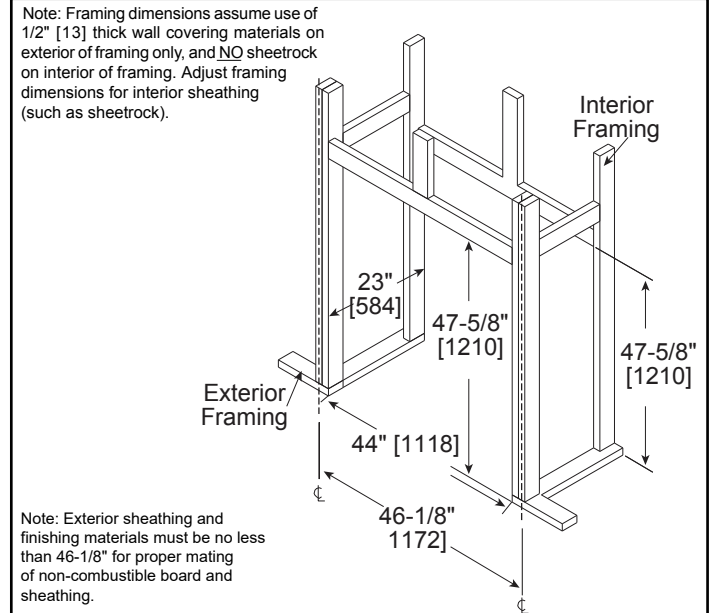
MANTEL PROJECTIONS - INDOOR



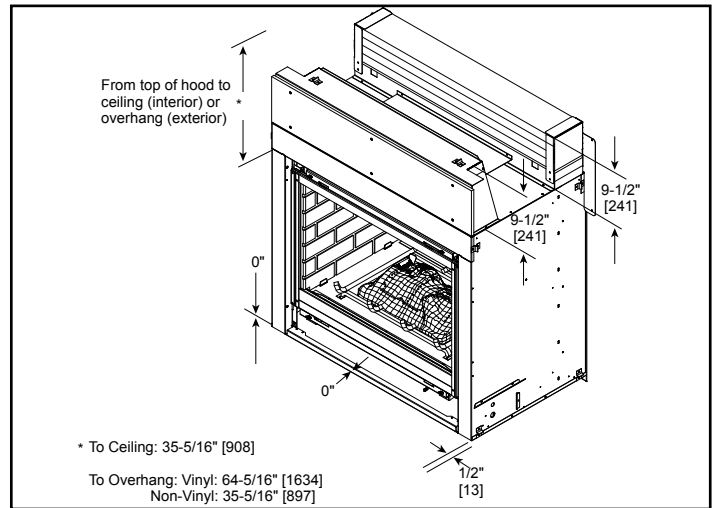
MANTEL PROJECTIONS - OUTDOOR



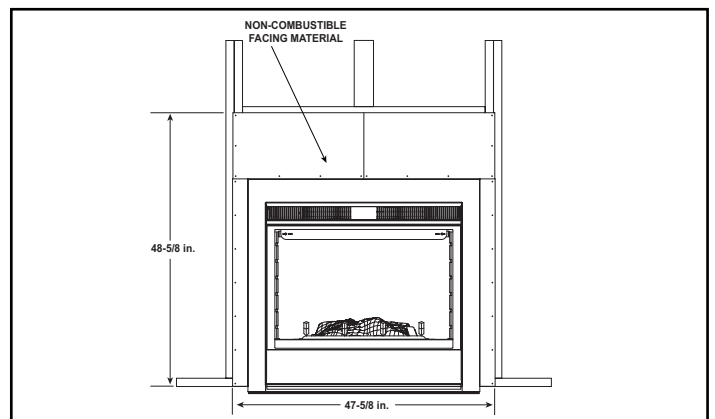
FRAMING DIMENSIONS



CLEARANCES TO COMBUSTIBLES



COMPLETE INSTALLATION OF NON-COMBUSTIBLE FACING MATERIAL (OUTDOOR SIDE)



PRODUCT LISTING CODES	
US	ANSI Z21.50-2014
CAN	CSA 2.22-2014

Product information provided is not complete and is subject to change without notice. Product installation must adhere strictly to instructions accompanying product to avoid risk of fire and potential injury.

Additional information can be found online at www.fireplaces.com