

This Owner's Manual is provided and hosted by [Appliance Factory Parts](#).



Monessen Hearth ODVILLA-42T Owner's Manual

[Shop genuine replacement parts for Monessen Hearth
ODVILLA-42T](#)



[Find Your Monessen Hearth Fireplace Parts - Select From 701 Models](#)

----- Manual continues below -----

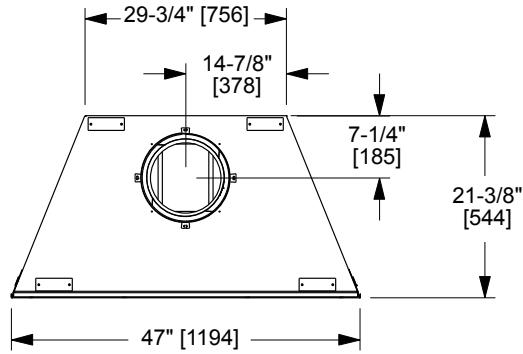


Please consult the manufacturer's installation manual for all details and requirements before making a final design layout decision.

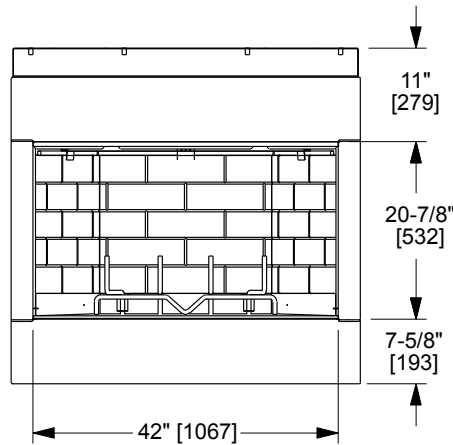
Villawood 42

Outdoor Wood Fireplace

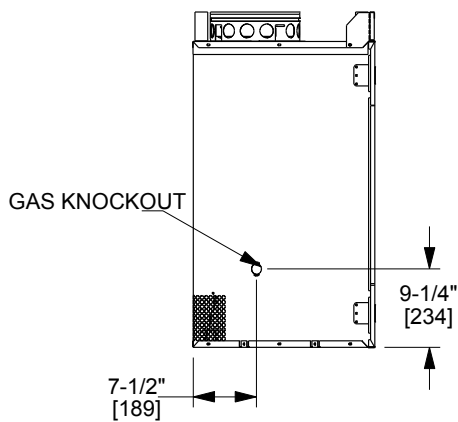
MODEL	FRONT WIDTH		BACK WIDTH		HEIGHT		DEPTH		VIEWING AREA
	Actual	Framing	Actual	Framing	Actual	Framing	Actual	Framing	
ODVILLA-42	47	48	29-3/4	48	39-1/2	39-3/4	21-3/8	21-1/2	42 x 20-7/8



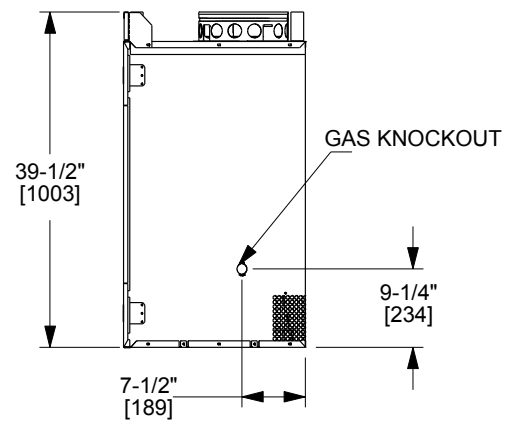
Top View



Front View



Left View



Right View

APPLIANCE LOCATION

Note: If this surface is inside the building's warm air envelope then this surface must be an exterior wall system.

Note: 1/2" [13] min. air space from fireplace to combustible materials

Note: Measurements are FRAMING dimensions only and do not include drywall either in the cavity or on the walls

	A	B	C	D	E	F	G	H	I
in.	48	56	73-7/8	65-1/2	37-1/4	17	52-1/4	21-1/2	*See Note
mm	1219	1422	1876	1664	946	429	1327	546	

* I = 12" [305] minimum from fireplace opening to any perpendicular wall

FRAMING DIMENSIONS

2" [51] min. air space clearance from chimney

Header MUST NOT be notched!

39-3/4" [1010]

21-1/2" [546]

48" [1219]

See installation manual for other framing requirements

HEARTH EXTENSION

4" (102 mm) minimum between bottom of fireplace opening and finished surface of hearth extension

Continuous, non-combustible sealant

Fireplace Opening

1/2" Micro Hearth Extension or equivalent insulation. See Install Manual table 11.2

Tile, stone or other non-combustible material

4" [102] minimum

Floor constructed of wood or other combustible material

2" [51] of the Protective Metal Hearth Strip is required under the front of the fireplace

	A	B	C	D
in.	42	66	12	20
mm	1067	1676	305	508

IMPORTANT! Hearth extension design must be determined before installation of fireplace

CLEARANCES TO COMBUSTIBLES

Storm Collar

Roof Flashing

Shaded areas represent 2" (51 mm) min. air space clearance required around pipe

(attic)

Attic Insulation Shield

(insulation)

(ceiling)

2" (51 mm) min. Offset/Return (secured with hanger straps)

(ceiling)

Ceiling Firestop

Must have 2" (51 mm) minimum clearance to header

0" to level of standoffs

1/2" (13 mm) to back & sides of appliance

0" to floor

48" [1219 mm]

Combustible Object

MANTEL PROJECTIONS

Combustible Wall

2 x 4 Stud Wall

Standoffs

Seal joint with non-combustible sealant

Non-combustible decorative facing such as: steel, iron, brick, tile, concrete, slate, glass, plaster

1-1/2" [38.1] Maximum

Combustible Decorative Facing

12" [305]

12" [305] Minimum

6" [152] Minimum

84" [2134] minimum Base of fireplace to ceiling

Measured from top of fireplace opening

HEARTH DIMENSIONS

20-1/4" [514]

17" [432]

42" [1067]

MANTEL LEG/WALL PROJECTIONS

FLUSH FRONT

BRICK FRONT

4" [102 mm]

11-1/4" [286 mm]

42" [1067 mm]

9-3/4" [248 mm]

47" [1194 mm]

12" [305 mm]

12" [305 mm]

30° angle

PRODUCT LISTING CODES

UL127

Product information provided is not complete and is subject to change without notice. Product installation must adhere strictly to instructions accompanying product to avoid risk of fire and potential injury.