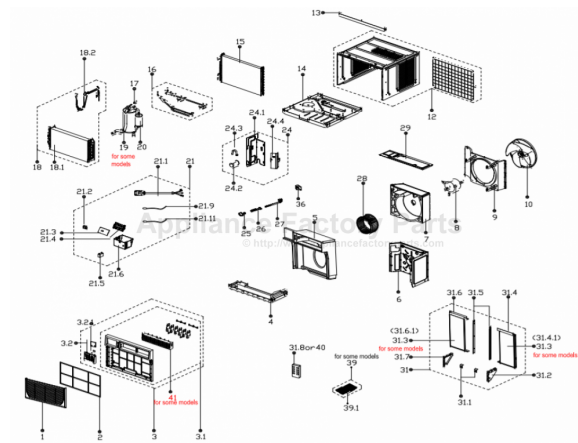


This Owner's Manual is provided and hosted by [Appliance Factory Parts](http://ApplianceFactoryParts.com).



COMFORT-AIRE RAD-283R Owner's Manual

[Shop genuine replacement parts for COMFORT-AIRE
RAD-283R](#)



[Find Your COMFORT-AIRE Air Conditioner Parts - Select From 599 Models](#)

----- Manual continues below -----

Comfort-Aire®

Century®

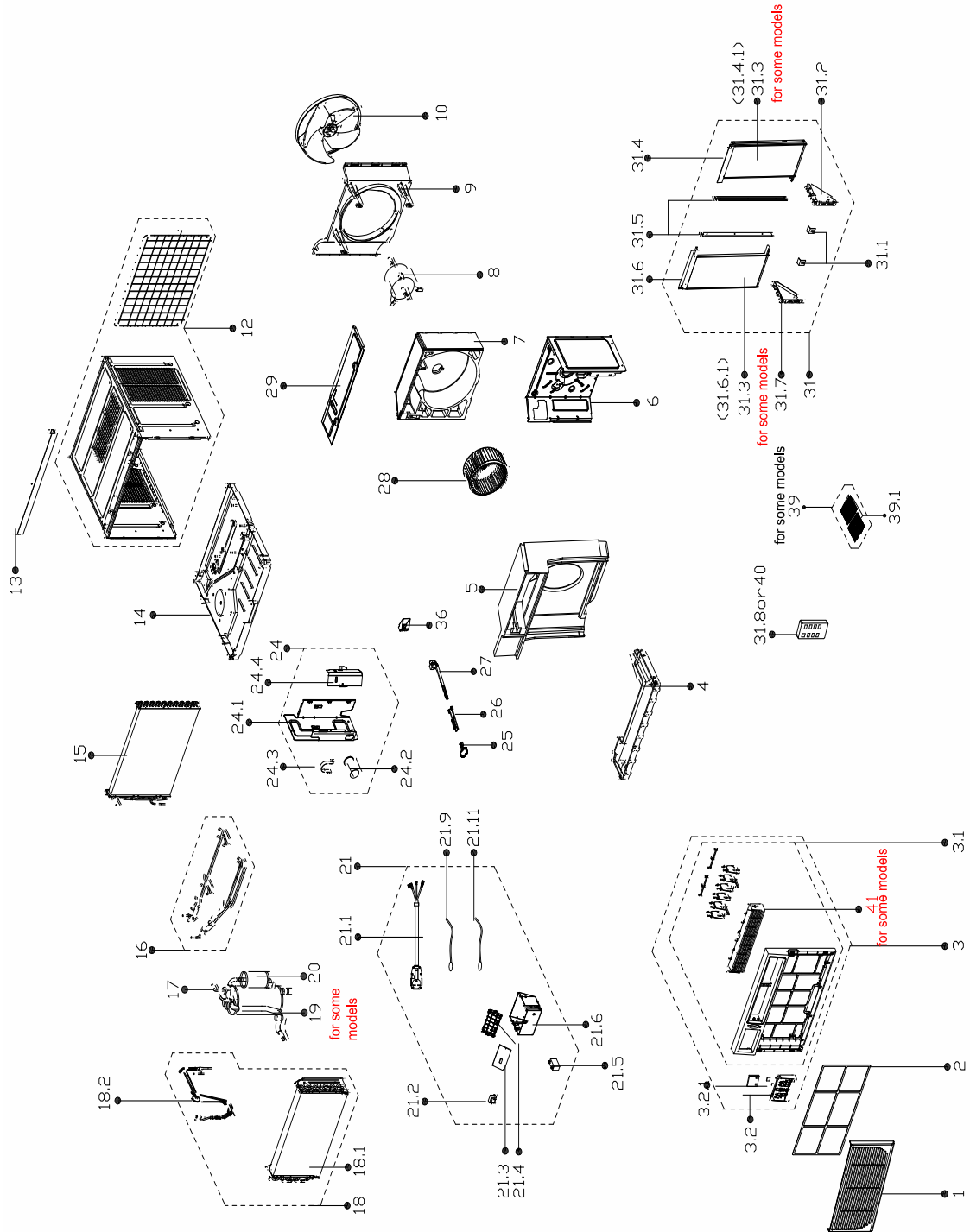
MARS®
Delivering Confidence

REPLACEMENT PARTS LIST

Room Air Conditioner

RAD-283R

EXPLODED VIEW



REPLACEMENT PARTS

Location	Part Name	Quantity	Part No.
1	Panel	1	12120300A22034
2	Air filter	1	12120300005607
3	Panel frame assembly	1	12120300A26369
3.1	Panel frame assembly	1	12120300A22043
3.2	Display box subassembly	1	17220300A19008
3.2.1	Display board subassembly	1	17120300A04148
4	Condenser water tray	1	12820300000026
5	Foam, air outlet	1	12820300000135
6	Front barrier board	1	12220300000573
7	Rear volute shell	1	12820300000043
8	Single phase asynchronous motor	1	11002012004746
9	Rear barrier board subassembly	1	12120300005383
10	Axial flow fan	1	12100105000076
12	Cabinet assembly	1	12220300004019
13	Top shutter frame subassembly	1	12220300003801
14	Chassis assembly	1	12220300004018
15	Condenser Assembly	1	15820300000746
16	Cooling coil assembly	1	15120300001135
17	Discharge pipe assembly	1	15120300001128
18	Evaporator Assembly	1	15820300002620
18.1	Evaporator	1	15820300002621
18.2	Capillary Subassembly	1	15120300005403
19	Suction pipe assembly	1	15120300001283
20	Fixed speed rotary compressor	1	11103010000448
21	Electronic control box subassembly	1	17220300A18947
21.1	Power cord subassembly	1	17401202000149
21.2	Linear Transformer	1	11203103001313
21.3	Main control board subassembly	1	17120300004173
21.4	Bracket of main control board	1	12120300003724
21.5	Capacitor of fan motor	1	17400101000126
21.6	Electronic control box	1	12220300002961
21.9	Room Temperature Sensor	1	11201007003440
21.11	Pipe Temperature Sensor	1	11201007003445
24	Front left Boarding	1	12220300000579
24.1	Front left barrier board subassembly	1	12220300001115
24.2	Capacitor of compressor	1	17400103000061
24.3	Capacitor clip	1	12200203000029
24.4	Electronic heater box	1	12220300000459
25	Connecting rod of fresh air door	1	12120300004605
26	Bracket of fresh air door	1	12120300005379

Location	Part Name	Quantity	Part No.
27	Connecting rod of fresh air door	1	12120300004304
28	centrifuge fan	1	12100103000103
29	Front cover	1	12220300000523
31	Installation accessory	1	12020300000669
31.1	Installation Located Block	2	12220300000536
31.2	Right bracket	1	12220300003600
31.4	Shutter	2	12120300004563
31.5	Right shutter frame	1	12120300004553
31.6	Connecting bar of cabinet	2	12120300004549
31.7	Left shutter frame	1	12120300004554
36	Left bracket	1	12220300003599
39	Bracket of fresh air door	1	12120300005367
39.1	Remote controller	1	17317000A58750
39.1	sponge	1	12400202000474
39.1	sponge	1	12420300000374
39.1	sponge	1	12420300000031
40	Remote controller	1	17317000A58750

Due to ongoing product improvements, specifications and dimensions are subject to change and correction without notice or incurring obligations. Determining the application and suitability for use of any product is the responsibility of the installer. Additionally, the installer is responsible for verifying dimensional data on the actual product prior to beginning any installation preparations.

Incentive and rebate programs have precise requirements as to product performance and certification. All products meet applicable regulations in effect on date of manufacture; however, certifications are not necessarily granted for the life of a product. Therefore, it is the responsibility of the applicant to determine whether a specific model qualifies for these incentive/rebate programs.



1900 Wellworth Ave., Jackson, MI 49203 • Ph. 517-787-2100 • www.marsdelivers.com

