

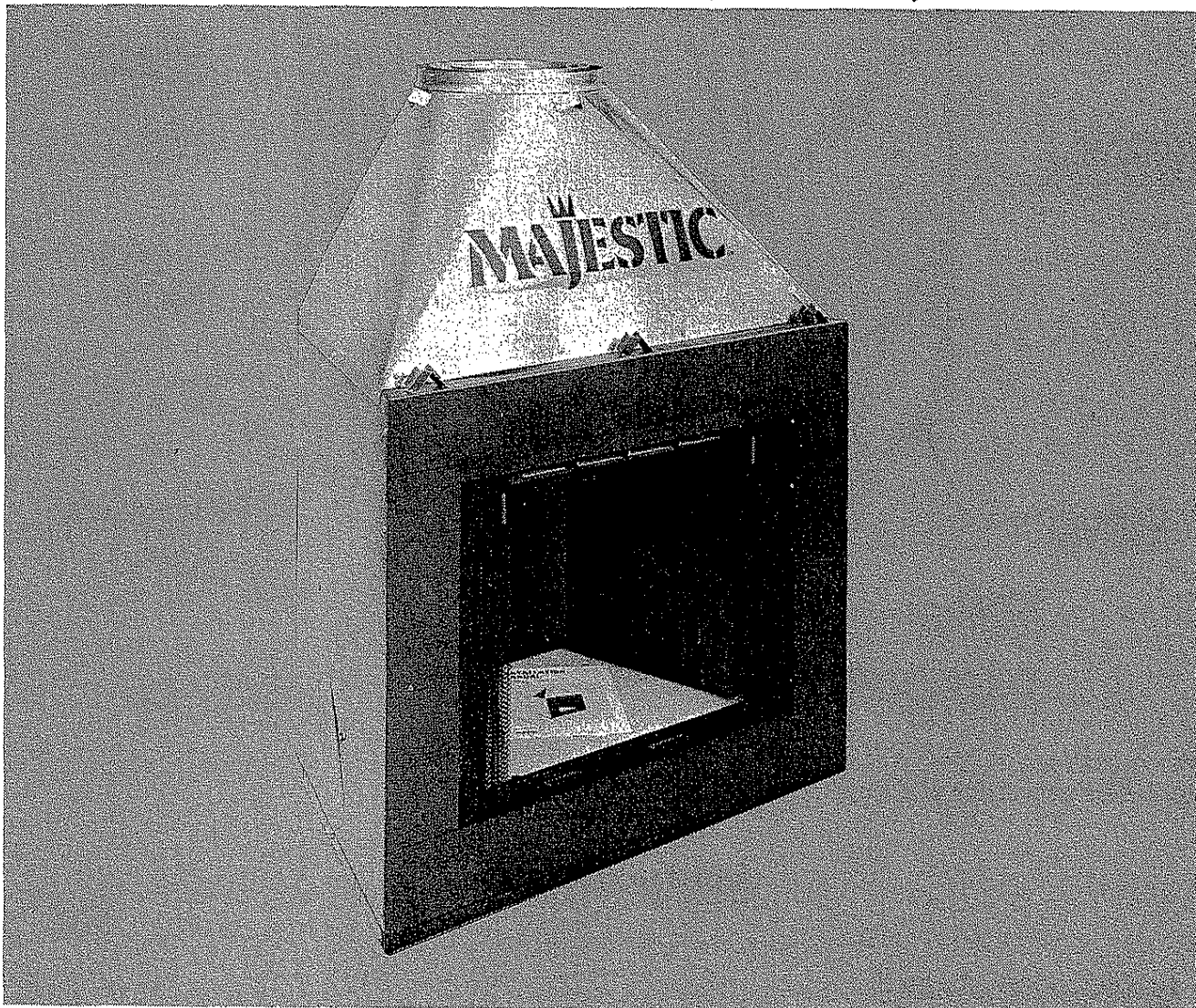
# INSTALLATION MANUAL

for the **MAJESTIC**.

**M SERIES FIREPLACES**

**M28, M36, MD36, M42, MD42,**

**M28-A0, M36-A0, MD36-A0, MD36R-A0, MD36L-A0, MD42-A0**



**IMPORTANT:** Read all instructions carefully before starting installation. Failure to follow these installation instructions may result in a possible fire hazard and will void the MAJESTIC warranty.

Save this manual for future reference.

**MAJESTIC**

An American-Standard Company

# IDENTIFICATION OF PARTS

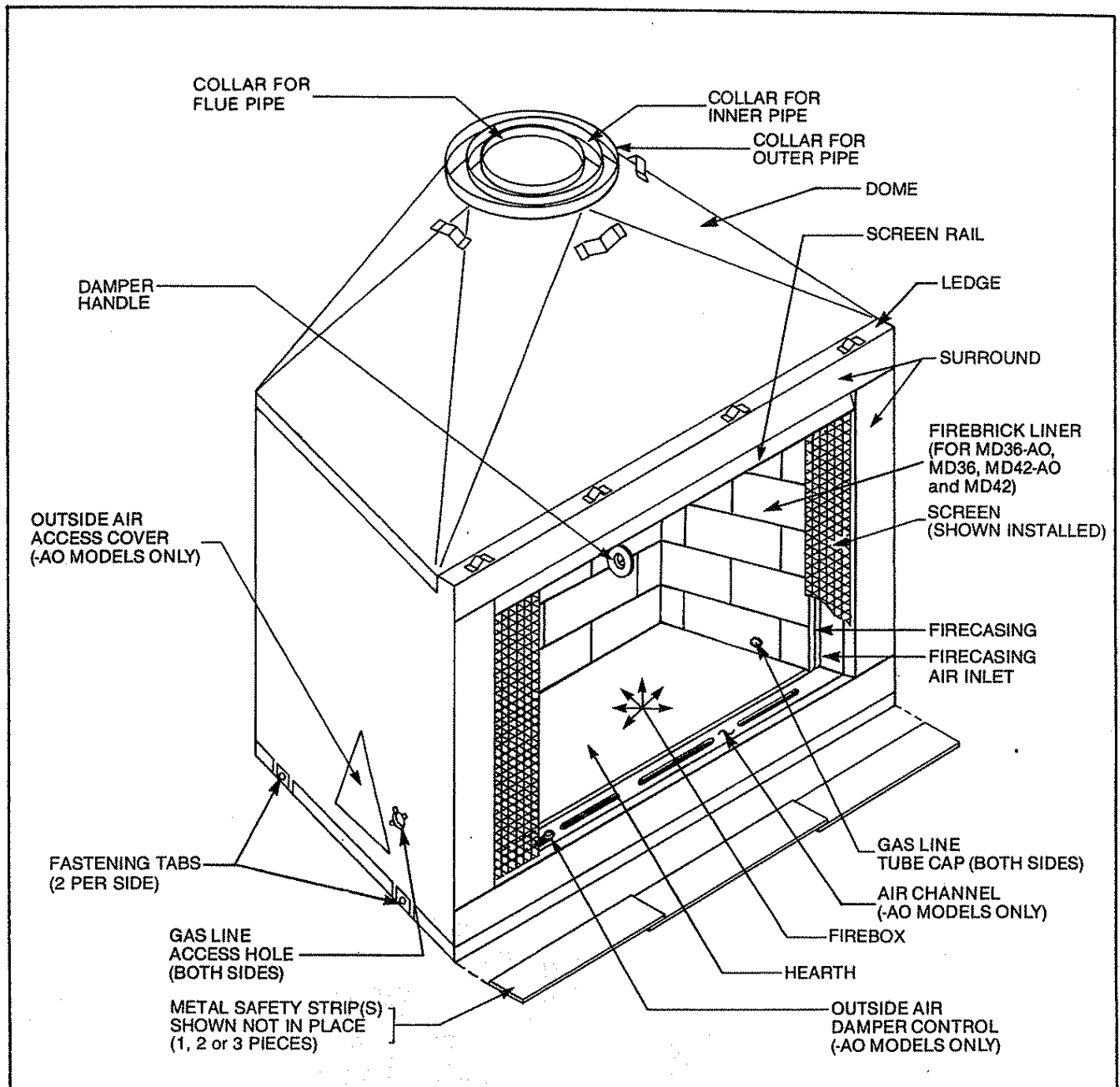


Fig. 1. Parts of the MAJESTIC M Series fireplaces.

## Table of Contents

	Page
Identification of Parts	2
Installation Precautions	3
Installation Instructions	3
Reference Data	12
Accessory Parts	14

## INSTALLATION PRECAUTIONS

This MAJESTIC Fireplace and its components are tested and safe when installed in accordance with this Installation Manual. Read all instructions **before** starting installation, then follow these instructions carefully **during** installation to insure maximum fireplace benefit and safety.

Since this fireplace and chimney assembly is a highly engineered system, **unless** you use Majestic components\* which have been designed for the system, you may possibly cause a fire hazard. **The MAJESTIC warranty will be voided by, and MAJESTIC disclaims any responsibility for, the following actions:**

- modification of the fireplace, chimney assembly or any of the component parts thereof; (except for chase flashings as detailed in MAJESTIC Chimney Top installation instructions.)
- installation other than as instructed by MAJESTIC; or
- installation and/or use of any component part not manufactured or approved by MAJESTIC in combination or assembly with a MAJESTIC fireplace system, notwithstanding any independent testing laboratory or other third party approval of such component part or accessory.

Any such action may possibly cause a fire hazard.

Consult your local building codes.

This fireplace and chimney system must be vented out-of-doors.

Do not obstruct or modify firecasing air inlet in any manner.

These fireplaces are not approved for mobile home installations.

## INSTALLATION INSTRUCTIONS

### A. Installing the Fireplace

#### □ A-1. CHECK HOW ACCESSORIES ARE INSTALLED

Determine where selected accessories fit into this fireplace installation procedure by checking the installation instructions provided with each accessory. See *ACCESSORY PARTS*, page 14.

**NOTE: The Outside Air System for -AO Models cannot be installed after the fireplace is completely installed.**

#### □ A-2. DETERMINE FIREPLACE LOCATION

The MAJESTIC M-Series Fireplaces can be mounted on a combustible (burnable) surface. The surface must be flat, hard and have sufficient area to support the entire base of the fireplace uniformly. Do not support the fireplace at just a few points. The surface may be a raised wooden platform.

The fireplace may be placed against a combustible wall without providing any clearance between fireplace spacers and combustible materials. Other marked air spaces must be maintained. Nearby combustible floors and walls must be protected as detailed on Pages 10 and 11.

Refer to *Air space Data* on page 12 and *Framing Data* on page 13 to be sure that the location which you have selected for your fireplace provides for

clearance and framing restrictions.

At this point you should have decided what components to include in your installation, where the fireplace is to be located, and how the chimney will be routed to the roof, (straight up, off-set, or chase\*). If this has not been done, stop and consult your Majestic Dealer for assistance with this planning.

Note that the installed length of any chimney section is less than its total length, (except for the last section installed), because of its overlap at joints. (See Fig. 2).

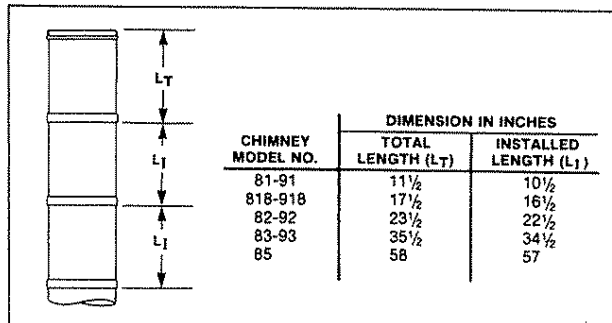


Fig. 2. Installed lengths of chimney sections.

#### □ A-3. INSTALL METAL SAFETY STRIPS UNDER FIREPLACE

Thoroughly clean intended fireplace location area. Move fireplace to the exact location where it is going to be installed. Lift fireplace front slightly to slide furnished metal safety strip(s) under front bottom edge about 1½ inches, allowing the remainder to extend out in front of the fireplace. Overlap the strips at least ½ inch to provide a positive joint. (See Fig. 3).

\*A chase is a vertical box-like structure which encloses the fireplace and/or chimney, typically built on the outside of the house with the fireplace opening cut in the outer wall of the house.

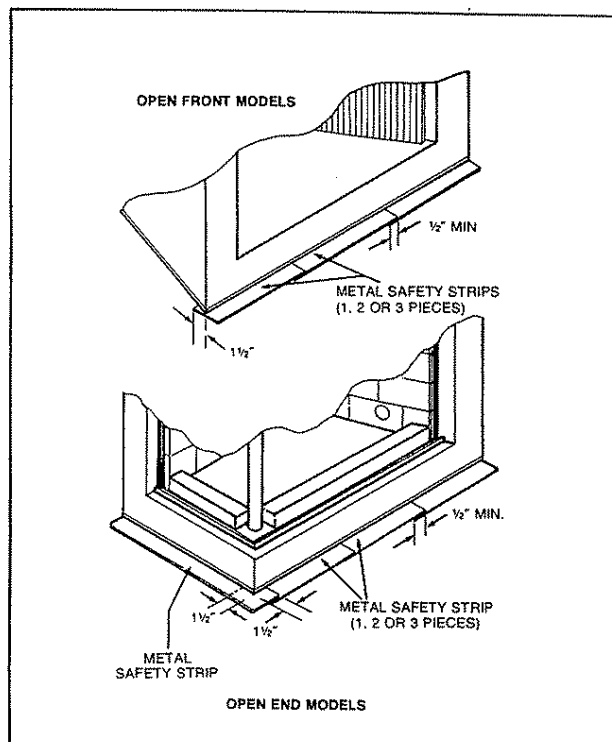


Fig. 3. Install metal strip(s) under front of fireplace.

**□ A-4. ANCHOR FIREPLACE IN POSITION**

To prevent shifting of the fireplace and to maintain sealing, (described later), anchor the fireplace to the floor. Turn down the four fastening tabs located along the sides of the base pan and nail them to the floor. See Fig. 4.

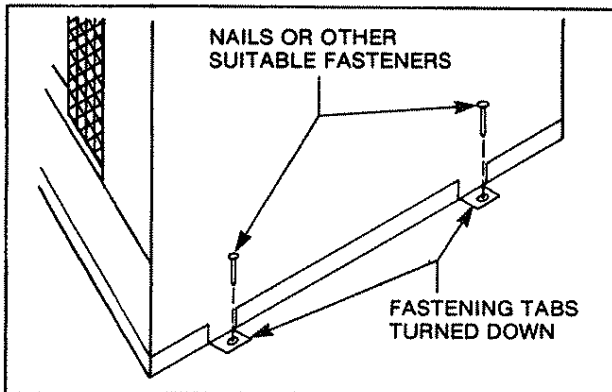


Fig. 4. Fasten fireplace in position using the four fastening tabs.

**B. Installing the Chimney**

**□ B-1. LOCATE CENTERPOINT OF CHIMNEY – STRAIGHT UP INSTALLATION**

If the fireplace is positioned against the wall behind it, measure out 9½ inches from that wall and make a mark on the ceiling above the fireplace. Draw a line through this mark parallel to the back wall, defining the centerline of the chimney. (See Fig. 5). Then using a plumb bob positioned directly over the imaginary centerpoint of the fireplace flue collar, mark the ceiling to establish the chimney centerpoint.

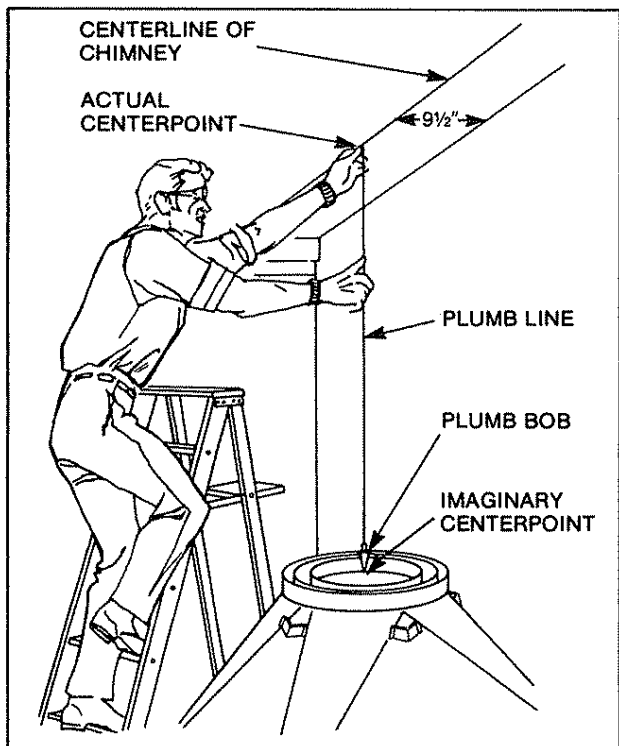


Fig. 5. Locate center point of chimney with plumb line.

**□ B-2 LOCATE CENTERPOINT OF CHIMNEY – OFFSET INSTALLATION**

In order to clear an obstruction, it may be necessary to offset the chimney from the vertical plane. This is done by using MAJESTIC Chimney Elbows: Models 815 (15° for 8-inch flue), 915 (15° for 9-inch flue), 830 (30° for 8-inch flue) or 930 (30° for 9-inch flue). In most cases only one offset is required. This one offset uses two elbows, one to start the angle run and the other to end the angle run. (See Figs. 6 and 7-l.) In Fig. 6 the offset distance (T dimension) and the vertical distance from elbow to elbow (S dimension) can be found by using Table 1 for 15° elbows or Table 2 for 30° elbows. These tables also give the number and size of straight chimney sections required in the offset.

The following safety rules apply to offset installations without Chimney Height Adapter. Refer to CHA8-9 installation instructions for off-set chimney height requirements lower than those listed in Paragraph 'A'. (The letters below match with the letters in Fig. 7.)

A. Height of chimney measured from hearth to chimney exit at top:

Maximum	- 90 feet
Minimum	- 12 feet 6 inches without elbows
	- 14 feet 6 inches with two elbows
	- 21 feet with four elbows

- B. Do not use more than four elbows per chimney. Elbows must not be connected back-to-back.\* All elbows must be separated by a minimum of one 2-foot long straight chimney section. Attach the straps of all elbows to a structural framing member. If four elbows are used, the first elbow must be separated from the fireplace by a minimum of a 1-foot long straight chimney section.
- C. Chimney cannot be more than 30° from vertical plane.
- D. Maximum length of angled run of total chimney system is 20 feet. G plus H cannot exceed 20 feet.
- E. A chimney support (Models TCS8 or TCS9) is required every 6 feet of angled run of chimney. Chimney supports are required at 30 feet and 60 feet of chimney height above the hearth.

\*Elbows may be connected back to back if overall height exceeds 18'-0".

Table 1. Single offset dimensions using 15° elbows.

	Dimensions			
	T		S	
<b>Using two 15° elbows with the following Straight sections</b>	M28/AO M36/AO MD36R-AO MD36L-AO	M42 MD42/AO	M28/AO M36/AO MD36R-AO MD36L-AO	M42 MD42/AO
No intermediate section	0'-2½"	0'-2¼"	1'-4¾"	1'-5¼"
One 1' section	0'-5¼"	0'-4¾"	2'-2¾"	2'-3¼"
One 1½' section	0'-6¾"	0'-6½"	2'-8¾"	2'-7¾"
One 2' section	0'-8½"	0'-8"	3'-2½"	3'-3"
One 1' and one 1½' sections	0'-9½"	0'-9"	3'-6¾"	3'-7¼"
One 3' section	0'-11½"	0'-11"	4'-2"	4'-2½"
One 2' and one 1½' sections	1'-¾"	1'-¾"	4'-6½"	4'-6¾"
Two 2' sections	1'-2¼"	1'-1¾"	5'-½"	5'-¾"
One 3' and one 1½' sections	1'-3¾"	1'-3¼"	5'-6"	5'-6½"
One 3' and one 2' sections	1'-5¼"	1'-5"	5'-11¾"	6'-¼"
Two 2' and one 1½' sections	1'-6½"	1'-6"	6'-4¾"	6'-4½"
Two 3' sections	1'-8½"	1'-8"	6'-11½"	6'-11¾"

Table 2. Single offset dimensions using 30° elbows.

	Dimensions			
	T		S	
<b>Using two 30° elbows with the following Straight sections</b>	M28/AO M36/AO MD36R-AO MD36L-AO	M42 MD42/AO	M28/AO M36/AO MD36R-AO MD36L-AO	M42 MD42/AO
No Intermediate section	0'-5"	0'-5¼"	1'-7½"	1'-8½"
One 1' section	0'-10¾"	0'-10½"	2'-4½"	2'-3¼"
One 1½' section	1'-1¼"	1'-1½"	2'-9¾"	2'-11"
One 2' section	1'-4¼"	1'-4½"	3'-3"	3'-4"
One 1' and one 1½' sections	1'-6½"	1'-6¾"	3'-6¾"	3'-8"
One 3' section	1'-10¼"	1'-10½"	4'-1¼"	4'-2½"
One 2' and one 1½' sections	2'-½"	2'-¾"	4'-5¼"	4'-6¼"
Two 2' sections	2'-3½"	2'-3¾"	4'-10½"	4'-11½"
One 3' and one 1½' sections	2'-6½"	2'-6¾"	5'-3½"	5'-4¾"
One 3' and one 2' sections	2'-9½"	2'-9¾"	5'-8¾"	5'-10"
Two 2' and one 1½' sections	2'-11¾"	3'-0"	6'-¾"	6'-1¾"
Two 3' sections	3'-3½"	3'-3¾"	6'-7¼"	6'-8¼"

\*Elbows may be connected back to back if overall height exceeds 18'-0"

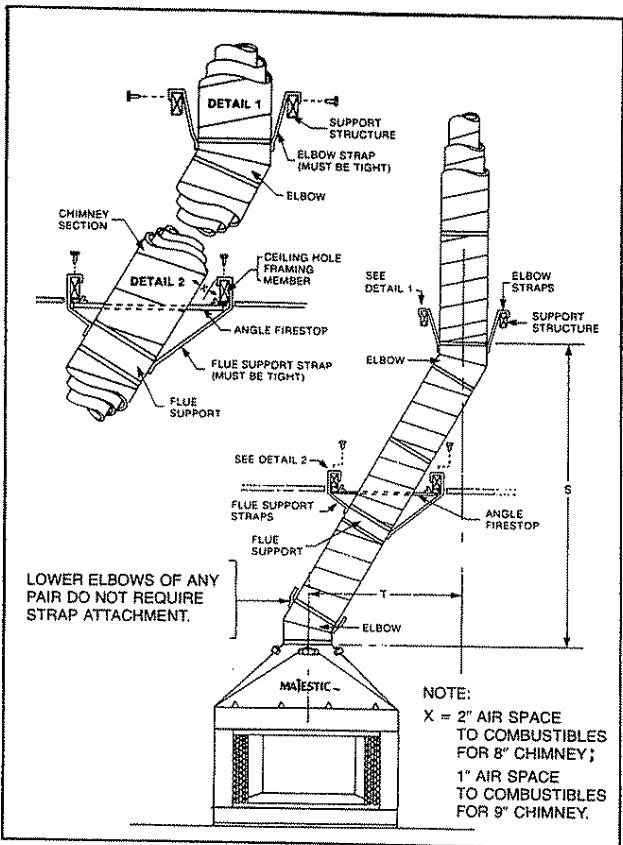


Fig. 6. Most commonly used single offset dimensions.

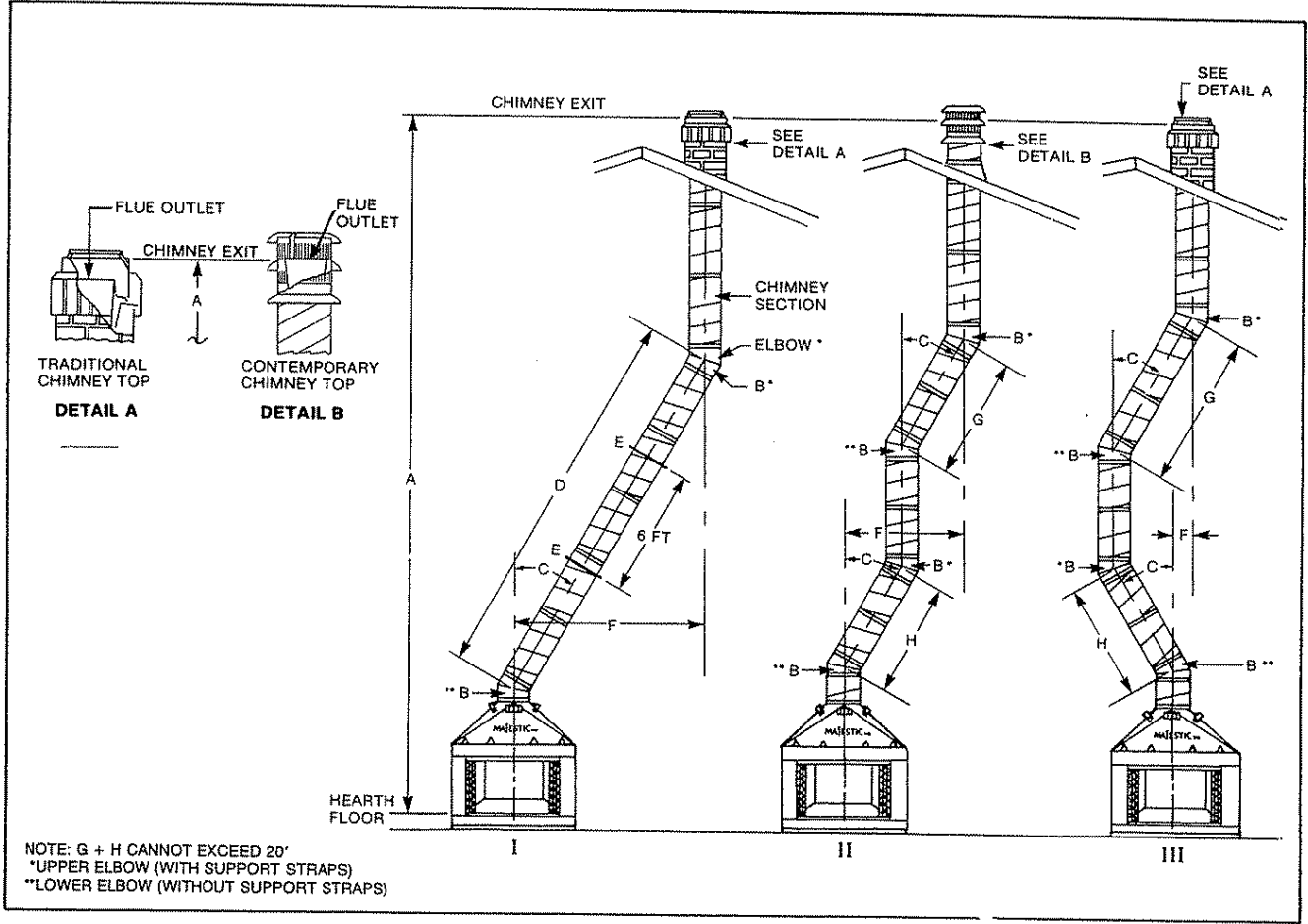


Fig. 7. Typical offset installations.

Locate on the ceiling the centerpoint of the chimney, as though a straight up chimney is to be used, by following the procedure outlined in Step B-1. Then measure your offset dimension from the straight up chimney centerpoint on the ceiling. See Fig. 8.

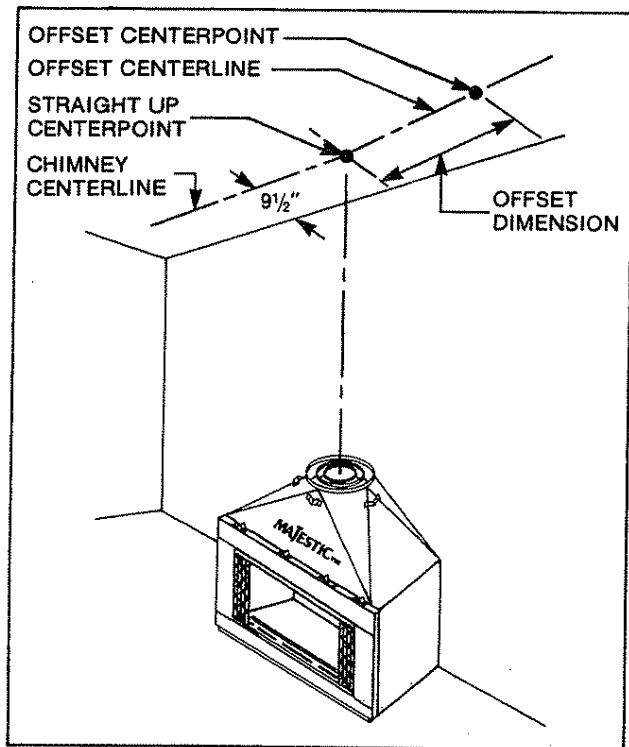


Fig. 8. Measure first ceiling offset distance from straight up centerpoint.

**□ B-3 MARK AREA OF CEILING CHIMNEY HOLE**

The size of the ceiling chimney hole will vary with the angle at which the chimney passes through the ceiling. Refer to Table 3.

Drive a nail up through the ceiling at the marked chimney centerpoint. Go to the floor above and check where the hole will be cut, relative to the ceiling joists and any other obstructions such as wiring or plumbing runs. If necessary, re-position the chimney and/or the fireplace to better accommodate these joists and/or obstructions.

**□ B-4 CUT CEILING CHIMNEY HOLE**

After covering the opening of the fireplace collar, cut the chimney hole through the ceiling. Recheck the hole to be sure that it measures the hole size selected from Table 3.

**□ B-5 FRAME CEILING CHIMNEY HOLE**

Frame the ceiling chimney hole as shown in Fig. 9. It is good practice to use framing lumber that is the same size as the ceiling joists. (This is a requirement at the attic level).

The **inside dimensions** of the frame **must** be the same as the hole size selected from Table 3, in order to provide the required 2-inch air space between the outside diameter of the chimney and the edges of the framed ceiling hole.

**□ B-6. INSTALL FIRESTOP SPACER**

Firestop spacers are required for safety. The hole sizes listed in Table 3 for angled firestop spacers provide the minimum required air spaces to the chimney pipe for ceiling thicknesses up to 8 inches. When the combined thickness of the ceiling material, ceiling joists and flooring material exceeds 8 inches, adjustments must be made in the framing to assure that the minimum air spaces to the chimney are maintained.

If the area above the ceiling IS NOT an attic, position the firestop spacer with the flange on the ceiling side and the dished or angled portion extending up into the hole. If the area above the ceiling IS an attic, position the firestop spacer with the flange on the top of the framed hole and the dished or angled portion extending down into the hole. (See Figs. 10 & 11). Nail each corner of the firestop spacer to the framing members of the ceiling hole. NOTE: A firestop spacer is not required at the roof.

Table 3. Sizes of Ceiling chimney hole.

Size of Chimney	Angle of chimney at ceiling		
	Vertical	15°	30°
8" flue	17½ x 17½	17⅞ x 22½	17⅞ x 29⅞
9" flue	18⅛ x 18⅛	18⅞ x 23¼	18⅞ x 30⅞

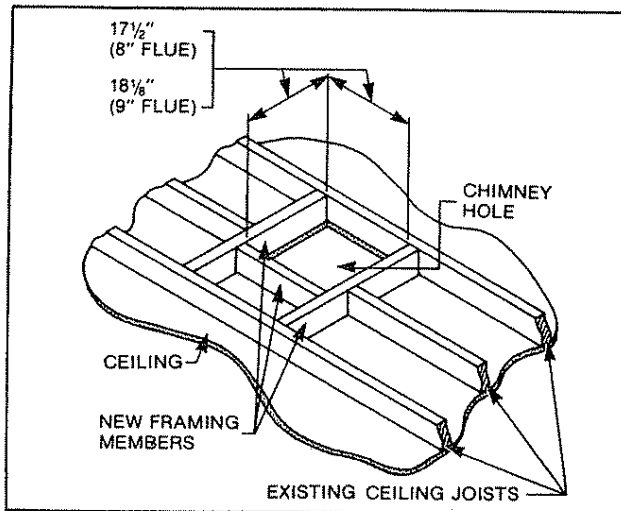


Fig. 9. Typical frame for ceiling chimney hole.

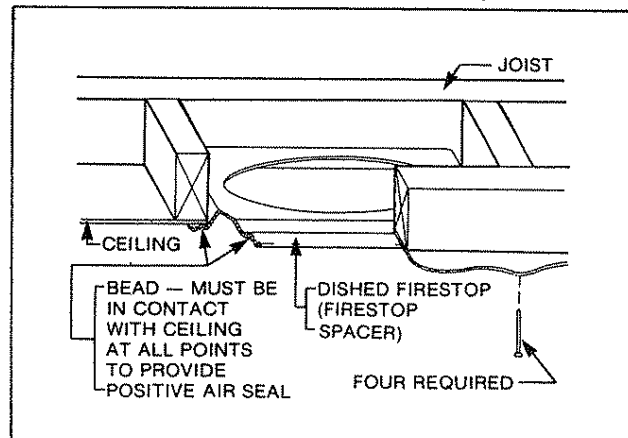


Fig. 10. Position of firestop when area above ceiling is not an attic.

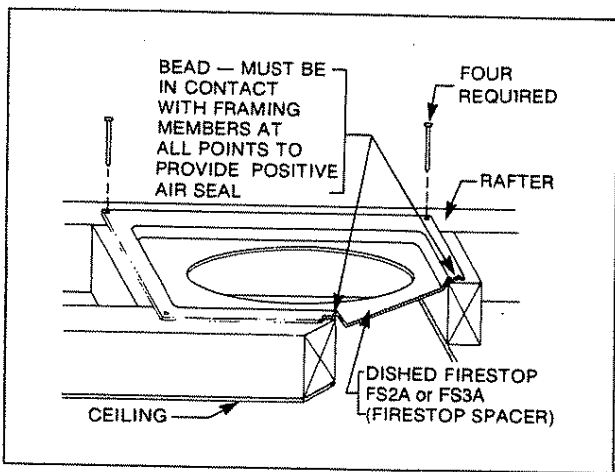


Fig. 11. Position of firestop when area above ceiling is an attic.

### □ B-7. ATTACH CHIMNEY SECTIONS

Attach the first straight chimney section to the fireplace collar, or elbow. (If offset installation, refer to Step B-8). Mount the flue pipe first, using the built-in snap-lock fasteners. (See Fig. 12). Then mount the inner pipe and finally the outer pipe.

Position each pipe section so the direction arrow is pointing **UP**. **Make sure each pipe is firmly snapped and locked together as it is mounted.**

Continue installing chimney sections until ONE SECTION (all three pipes) extends up through the ceiling hole. To extend through the ceiling, it may be necessary to assemble all three pipes, push them up through the ceiling hole and then slide them down one at a time to connect them.

### □ B-8. ATTACH FIRST ELBOW — OFFSET INSTALLATION

If the first or lower elbow is not to be attached to the fireplace, install chimney sections as required.

Attach first elbow where required. Note that only the outer pipe snap-locks. The flue and inner pipe telescope.

Attach the straps of the upper elbow to a structural framing member.

### □ B-9. DETERMINE HOW MANY CHIMNEY SUPPORTS ARE NEEDED

The chimney system is supported by the fireplace for chimney heights less than 30 feet of vertical height above the hearth. Chimney supports are required if the chimney height exceeds 30 feet. Additional supports must be provided again at 60 feet of vertical chimney height. Locate chimney supports at the ceiling holes or other structural framing at the 30 foot and 60 foot heights. Spacing between these chimney supports must not exceed 30 feet. Use MAJESTIC Chimney Support Model TCS8 or TCS9. Support provided by elbow straps fulfills the support requirement only if they are spaced as required above.

Angled chimney runs require a support every 6 feet in addition to the elbow straps. Use MAJESTIC TCS8.

Refer to Step B-2 to determine how many chimney supports are needed and where they will be placed in the chimney run.

**NOTE:** A chimney support is 3 inches long when installed. This dimension must be considered when determining how many straight chimney sections are needed to provide the desired offset.

### □ B-10. INSTALL CHIMNEY SUPPORTS

Chimney supports are attached to chimney sections the same way elbows are attached. Refer to Step B-7.

Nail the chimney support straps to adjacent structural framing, as shown in Fig. 13. Bend the straps as necessary and make sure they are tight so they will be able to support the weight of the chimney.

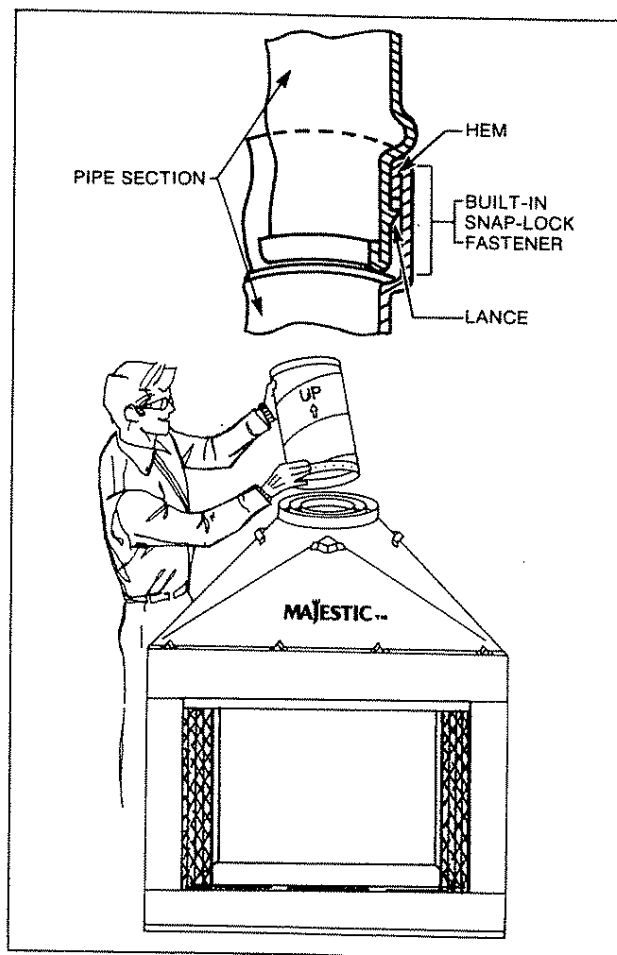


Fig. 12. Use built-in snap-lock fasteners to attach chimney pipe sections.

### □ B-11. LOCATE CENTERPOINT OF NEXT CEILING HOLE

**NOTE:** If there is no other ceiling, you have completed Section B. Turn now to Section C, *PENETRATING THE ROOF*.

In a manner similar to that used in Steps B-1 and B-2, mark the centerpoint of the next ceiling hole.

**B-12. PREPARE SECOND CEILING HOLE**

Repeat Steps B-3, *Mark Area of Ceiling Chimney Hole*; B-4, *Cut Ceiling Chimney Hole*; B-5, *Frame Ceiling Chimney Hole*; and B-6, *Install Firestop Spacer*.

**B-13. CONTINUE INSTALLING CHIMNEY SECTIONS**

Continue installing chimney sections and, (as required), chimney supports, until the chimney passes through the second ceiling hole.

**NOTE:** Repeat Steps B-11 through B-13 as many times as necessary to pass through all the ceilings in the building and bring the chimney just short of the roof.

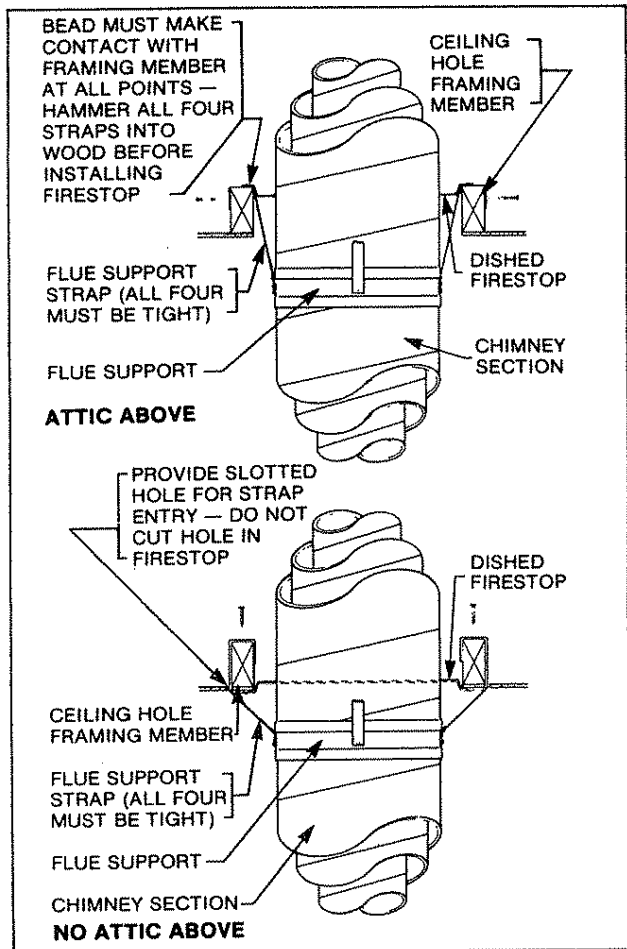


Fig. 13. Mount flue supports at ceiling hole frames or other structural framing.

**C. Penetrating the Roof**

**NOTE:** If you are using a chase, go to Section D. The chimney system must be vented out-of-doors and must be terminated in an approved MAJESTIC Top Housing or Termination.

**C-1. LOCATE CHIMNEY CENTERPOINT AT ROOF**

Use the same procedure detailed in Steps B-1 and B-2.

Drive a nail up through the roof at the marked centerpoint. This will mark the centerpoint on the outside of the roof.

**C-2. CUT AND FRAME ROOF HOLE**

The size of the roof hole varies with the type of chimney top that will be installed. Refer to the installation instructions provided with your MAJESTIC Chimney Top Housing or Termination to find the correct size roof hole for this installation.

There must be at least 2-inch air space for M28 and M36 chimneys and 1-inch air space for an M42 chimney between the outermost portion of the chimney section and any adjacent combustible (burnable) surfaces. (Combustible surfaces include such things as ceiling members, joists, flooring, combustible insulation and roof structures).

**WARNING: DO NOT PACK REQUIRED AIR SPACE WITH INSULATION OR OTHER MATERIALS.**

Mark the outline of the roof hole around the centerpoint nail. **NOTE:** The hole dimensions given in the chimney top installation instructions are HORIZONTAL dimensions; therefore, the hole size must be marked on the roof accordingly.

Cover the opening of the installed chimney.

Cut and frame the hole. It is good practice to use framing lumber that is the same size as the rafters. **Install frame securely. Chimney top and flashing anchored to frame must withstand heavy winds.**

**C-3. DETERMINE MINIMUM CHIMNEY HEIGHT ABOVE ROOF**

Major U.S. building codes specify minimum chimney height above the roof top. These specifications are summarized in the *Ten Foot Rule*. (See Fig. 14). The key points of this rule are:

1. If the horizontal distance from the center of the chimney to the peak of the roof is 10 feet or less, the top of the chimney must be at least 2 feet above the peak of the roof but never less than 3 feet in height above the highest point where it passes through the roof.
2. If a horizontal distance from the center of the chimney to the peak of the roof is more than 10 feet, a chimney height reference point is established that is on the surface of the roof a distance of 10 feet from the center of the chimney in a horizontal plane. (See Fig. 14). The top of the chimney must be at least 2 feet above this reference point, but never less than 3 feet in height above the highest point where it passes through the roof.

These chimney heights are necessary in the interest of safety and do not assure a smoke-free operation.

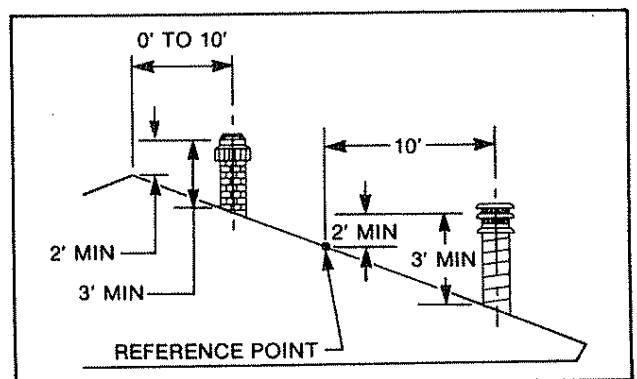


Fig. 14. Ten foot rule for chimney height.



**□ C-4. INSTALL REMAINDER OF CHIMNEY SECTIONS**

Continue installing chimney sections up through the roof hole. Check your chimney top installation instructions for data on how high above the rooftop the CHIMNEY SECTIONS (all three pipes) should go.

**□ C-5. INSTALL CHIMNEY TOP HOUSING**

Follow the installation instructions provided with the MAJESTIC chimney top you have selected. Then proceed to *Framing and Finishing* on this page.

**D. Installing Chimney in a Chase**

A chase is a vertical box-like structure built to enclose the fireplace and/or its chimney.

**Treatment of firestop spacers and construction of the chase may vary with the type of building. These instructions are not substitutes for the requirements of local building codes, therefore, your local building codes must be checked to determine the requirements of these steps.**

**Note:** Other material may be required in addition to MAJESTIC Firestop Spacers.

When installing a MAJESTIC M Series Fireplace in a chase, it is always good building practice to **insulate the chimney chase as you would an outside wall of your home.** This will greatly reduce outside air from entering the room in which the fireplace is located and will also prevent a cold surround.

When locating the fireplace in an insulated chase, marked air spaces must be maintained.

Refer to *Framing and Finishing* on this page. Upon completion of building your chase frame, install the chimney system. Follow the instructions for *Installing the Chimney* starting on page 4. Then proceed to Step D-1.

**Ducting of outside air (M-AO Models) in a concrete chase foundation requires a minimum inside floor area of 24½" x 50" when using Class I flexible ducting material. This permits vertical elbowing of the outside air duct within the concrete chase foundation. The fireplace must be installed to the far right side of this floor area to permit left side ducting.**

**□ D-1. INSTALL FLASHING AND CHIMNEY TOP**

Follow the installation instructions provided with the MAJESTIC Top Housing or Termination selected. Then proceed to *Framing and Finishing*, Step E-1.

**E. Framing and Finishing**

**□ E-1. DETERMINE WHEN TO INSTALL FRAMING**

Fireplace framing can be built before or after the fireplace is set in place. Fig. 15, Table 4 shows the minimum framing dimensions.

**□ E-2. BUILD FRAMING**

The fireplace framing should be constructed of 2 x 4 lumber or heavier. Refer to *Framing Data* on page 13 for basic fireplace dimension that will affect the framing dimensions.

The header may rest on the fireplace standoffs, (V-angles on the front ledge of the fireplace), but

must **NOT** be notched to fit around them. Framing should be positioned to accommodate wall covering and fireplace facing material. See Figs. 16 and 17 for typical arrangements.

**Caution: All joints between the finished wall and the fireplace surround (top and sides) must be sealed with non-combustible material. Only non-combustible material may be applied as facing to the fireplace surround.**

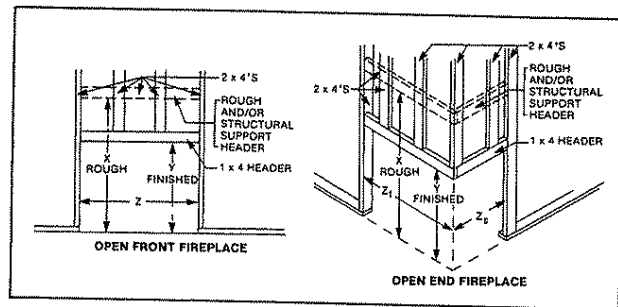


Fig. 15. Dimensions of fireplace opening.

Table 4. Minimum framing dimensions.

MODELS	DIMENSIONS				
	X	Y	Z	Z <sub>f</sub>	Z <sub>s</sub>
M28/-AO	51"	33¼"	38½"	—	—
M36/-AO	53"	35¼"	46½"	—	—
MD36R/-AO	53"	35¼"	—	41¼"	24½"
MD36L/-AO	53"	35¼"	—	—	—
MD42/-AO	54"	35¼"	52¼"	—	—
M42	—	—	—	—	—

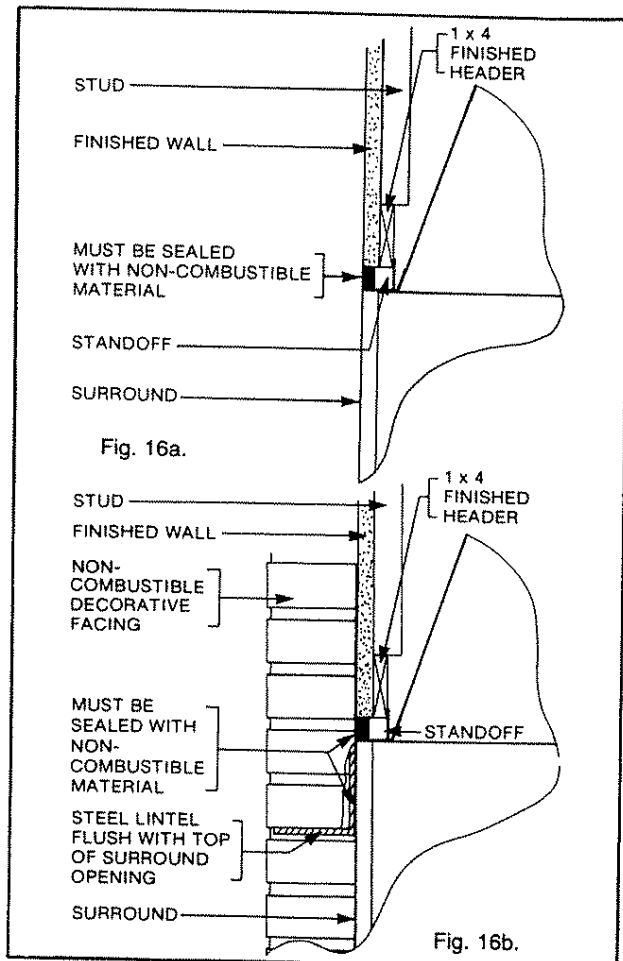


Fig. 16. Fireplace surround flush with finished wall.

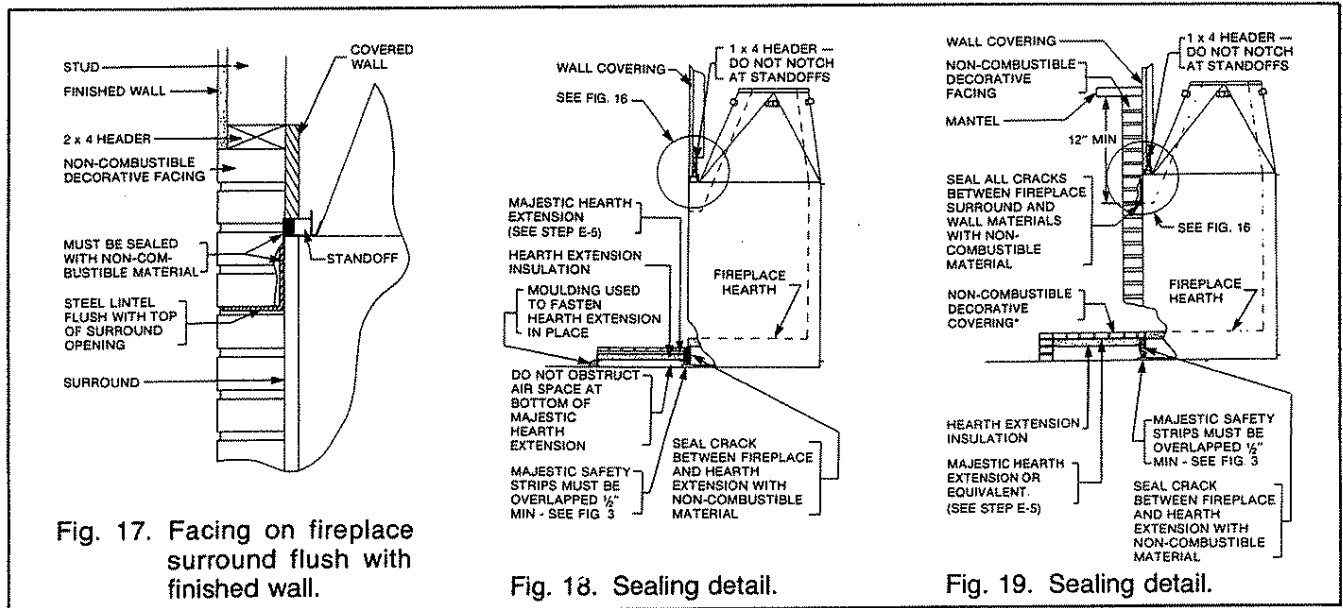


Fig. 17. Facing on fireplace surround flush with finished wall.

Fig. 18. Sealing detail.

Fig. 19. Sealing detail.

**E-3. FINISH WALL**

Finish the wall with material of your choice. **Do not install a combustible mantel or other combustible projection less than 12 inches above the fireplace opening.** If a combustible material is used, consult your local building codes for the minimum clearance from the top of the fireplace opening to the bottom of the mantel.

All joints, (top, bottom, and sides) where the wall or decorative facing material meets the fireplace surround must be completely sealed with a non-combustible material. See Figs. 18 and 19.

**When finishing the fireplace, use the material of your choice. If you decide to cover the fireplace surround, non-combustible materials must be used in this area.**

**E-4. ADD PROTECTION TO SIDE WALLS**

**A nonprotected or protected wall must not be closer than listed on page 11, table 5.**

Consult Majestic booklet Specification 74-10-102A for additional assistance in finishing.

All walls constructed closer than 36" from the fireplace opening must be protected by the SP40 wall shield or equivalent, found in Majestic specification 74-10-102A. **(Any perpendicular side wall must not be closer than 40 inches to the open end of an open end fireplace).**

To receive 74-10-102A contact the Majestic Company, Huntington, Indiana 46750, Attention: Director of Customer Service.

**NOTE:** For fireplaces installed at 45° to (2) two sidewalls (corner installation), no side wall protection is required.

**E-5 INSTALL HEARTH EXTENSION.**

A hearth extension is required to protect combustible floor construction in front of the fireplace, and it must be a Majestic Hearth Extension: Model EH28A for an M28/-AO fireplace, Model EH36A for an M36/-AO or MD36/-AO fireplace, Model EH36RLA for an MD36R-AO or MD36L-AO fireplace, Model EH42A

for an M42 or MD42/-AO fireplace or equivalent found in Majestic Specification 74-10-102A. Contact the Majestic Company, Huntington, Indiana 46750. Attention: Director of Customer Service to receive 74-10-102A.

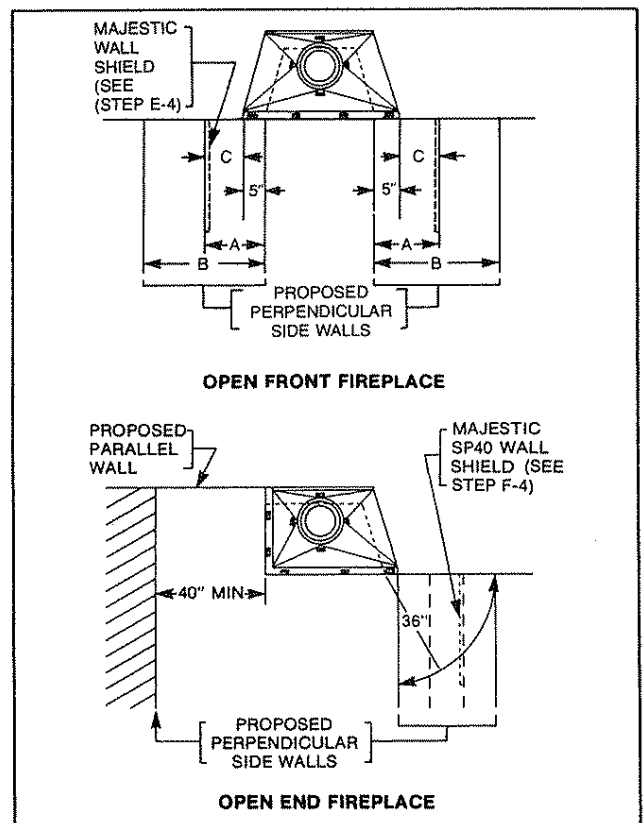


Fig. 20. Protect adjacent combustible side walls with Wall Shield(s).

MODEL	MIN. DIST. WITH SP40	MIN. DIST. TO NON-PROTECTED WALL	
	A	B	C
M28/-AO	12"	36"	7"
M36/-AO	12"	36"	7"
MD36/-AO	12"	36"	7"
MD36R-AO	12"	36"	7"
MD36L-AO			7"
MD42/-AO	18"	36"	13"
M42			

Secure the hearth extension (See Fig. 21) to the floor to prevent shifting using trim moulding or other similar means at the three outer edges. Seal the crack between the fireplace hearth and the hearth extension with a non-combustible material. See Figs. 18 and 19.

**WARNING:**  
**HEARTH EXTENSION MUST BE INSTALLED IN ACCORDANCE WITH FIGURES 19 OR 20, OR MAJESTIC SPECIFICATION 74-10-102A.**

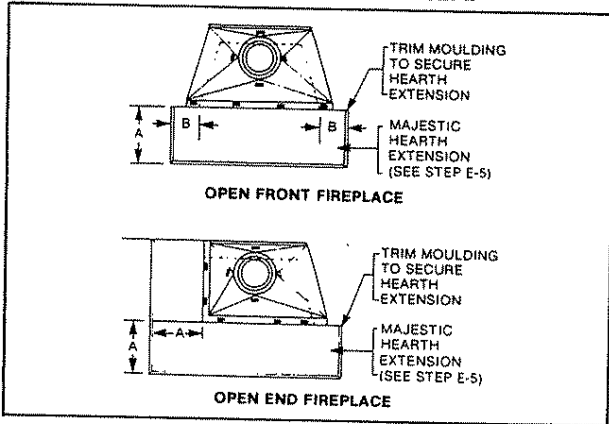


Fig. 21. Minimum dimensions of the hearth extensions.

Table 6.

MODEL	A	B
M28/-AO	16"	8"
M36/-AO	16"	8"
MD36/-AO		
MD36R-AO	16"	—
MD36L-AO		
MD42/-AO	20"	12"
M42		

**E-6. INSTALL GAS APPLIANCE.**

All MAJESTIC M SERIES FIREPLACES are designed to accept a 1/2-inch gas line for a gas appliance. Have the gas appliance installed by a qualified plumber in accordance with all local building codes. **Check all gas joints for leaks using soap bubble solution.**

Find the gas line hole on the outside of the fireplace, located on both the right side and left side for the M28/-AO, M36/-AO, MD36/-AO, M42 and MD42/-AO open front models. MD36R-AO and MD36L-AO open end models, the gas line hole is located opposite the open end. Then follow this step-by-step procedure. (See Fig. 22).

- M MODELS** — Remove desired gas line tube cap (A) located in the firebox.  
**MD MODELS** — Remove the firebrick liner with the desired gas line access hole by removing the firebrick retaining channel that is secured to the firecasing with three (3) screws. Remove the gas line tube cap (A). Rotate and replace the firebrick liner so the hole in the brick aligns with the gas line hole in the firecasing, then replace firebrick retaining channel.

- Remove the insulation (B) from the gas line tube, working from the outside of the fireplace.
- Forceably push out the internal metal shield (C) using a probe or piece of iron pipe.
- Insert a 1/2-inch iron pipe gas line (D), from outside the fireplace, through the gas line tube.
- Repack insulation around gas line from outside fireplace.

**CAUTION: Make sure the insulation completely seals the space around the gas line.**

The gas line is intended for connection to a decorative gas appliance only in accordance with the National Fuel Gas Code, ANSI Z223.1-1980.

**CAUTION: WHEN USING THE DECORATIVE GAS APPLIANCE, THE FLUE DAMPER MUST BE SET IN THE FULLY OPEN POSITION.**

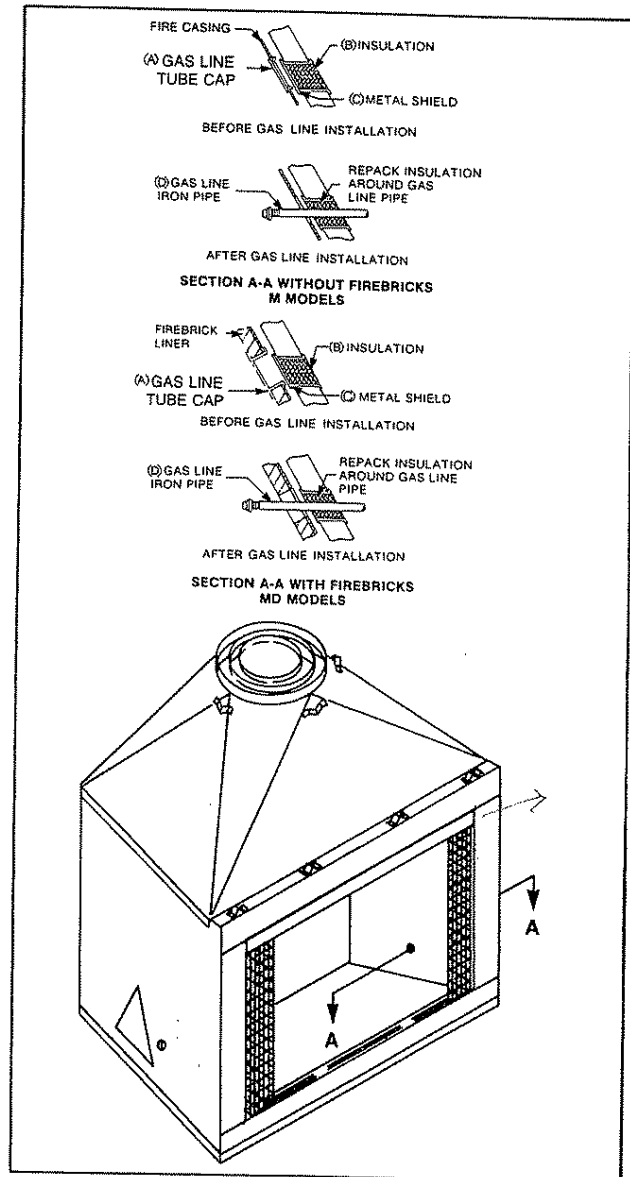


Fig. 22. Install iron pipe gas line through provided hole in both sides of fireplace.

# Reference Data

## AIR SPACE DATA

MAJESTIC Fireplaces can be located directly on a flat hard-surfaced combustible floor or on a wooden platform. Some protection is required for adjacent surfaces, however, as detailed on Page 10.

Framing members can be placed directly against the

rear spacers of the fireplace.

The minimum air space-to-combustibles requirements for chimney sections and dome are detailed in Fig. 23.

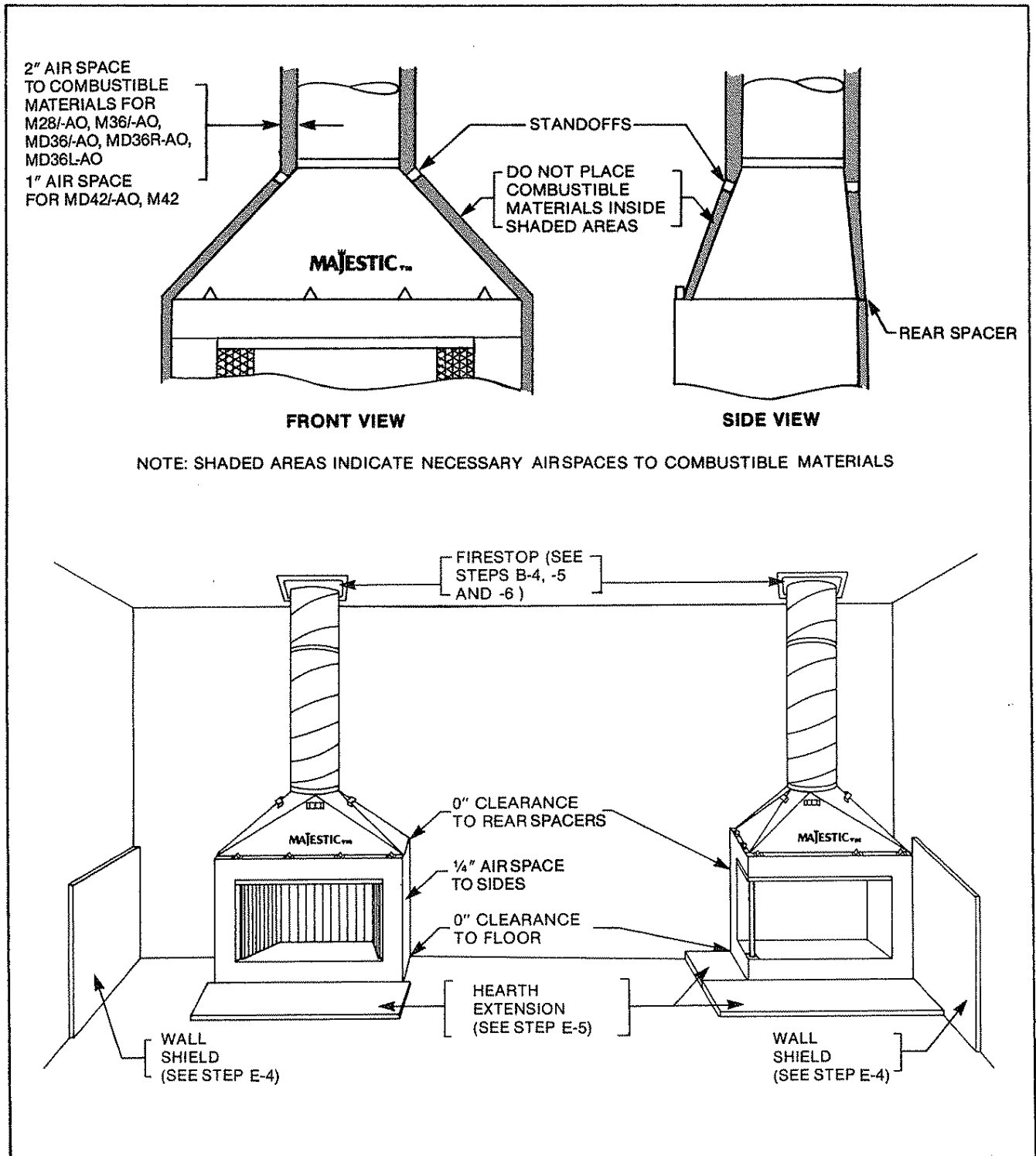


Fig. 23. Minimum air spaces to combustible materials.

**FRAMING DATA**

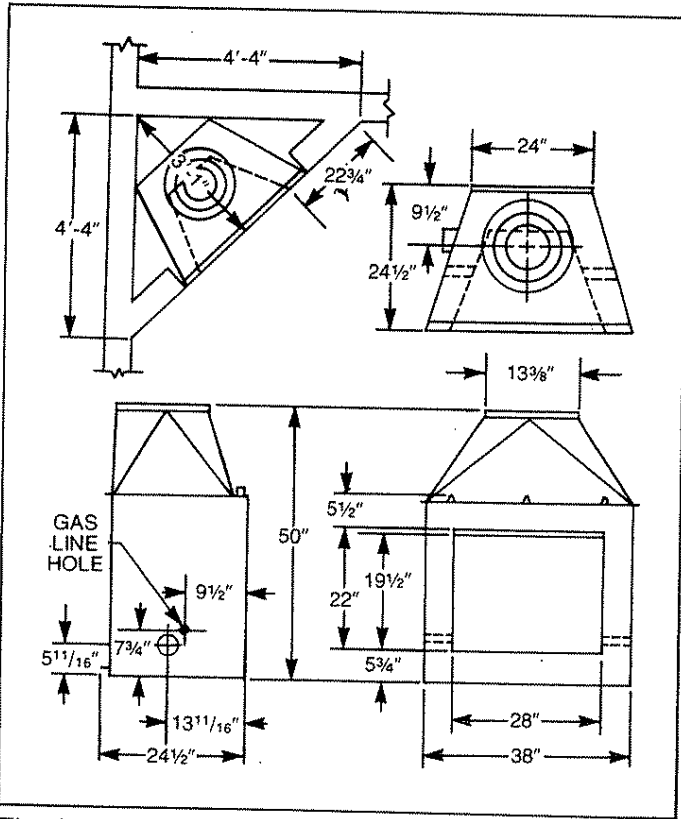


Fig. 24. Dimensions of M28-AO.

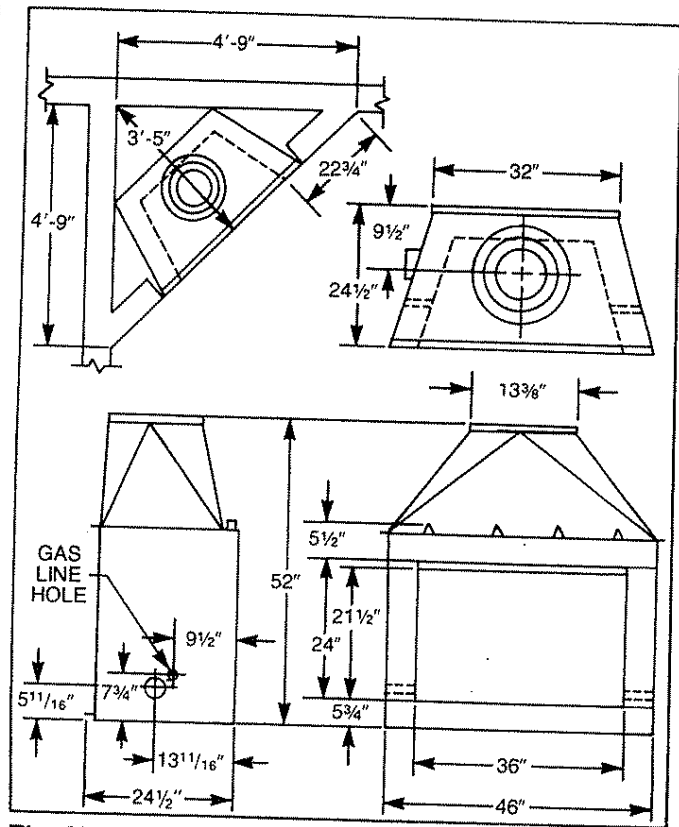


Fig. 25. Dimensions of M36-AO and MD36-AO.

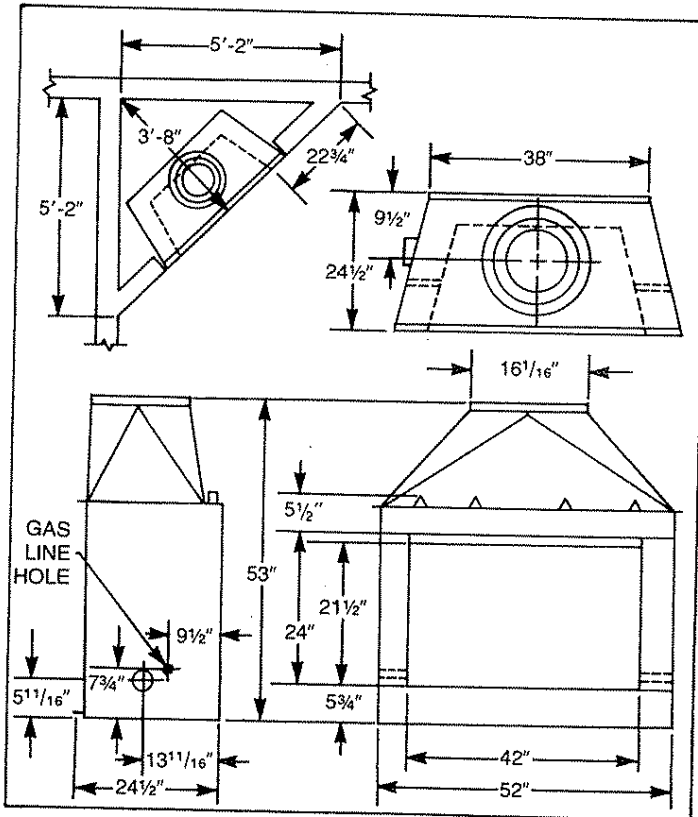


Fig. 26. Dimensions of MD42-AO and M42.

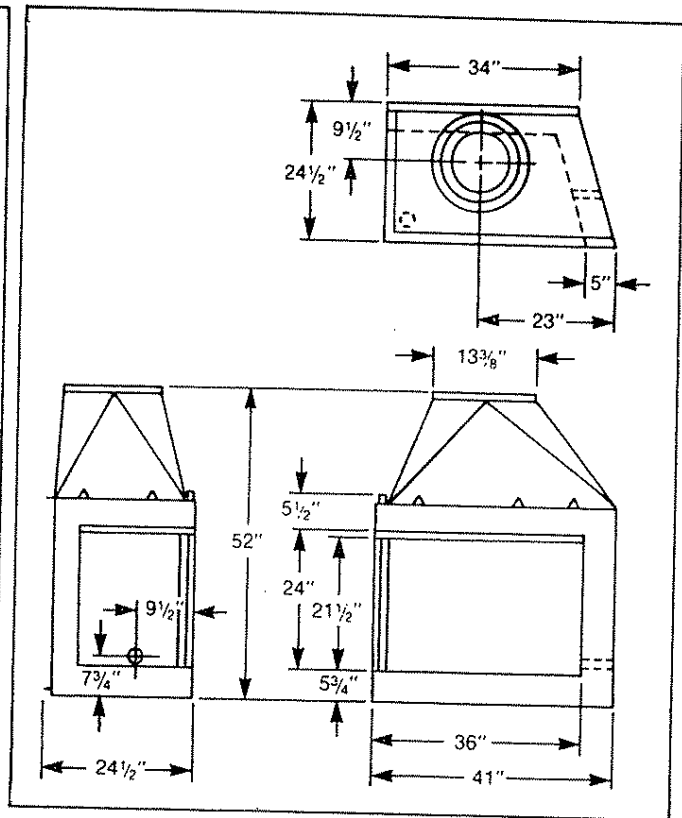
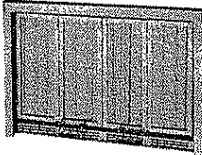

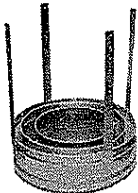
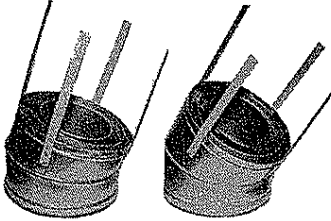


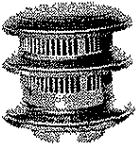



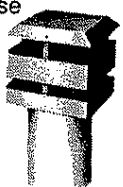


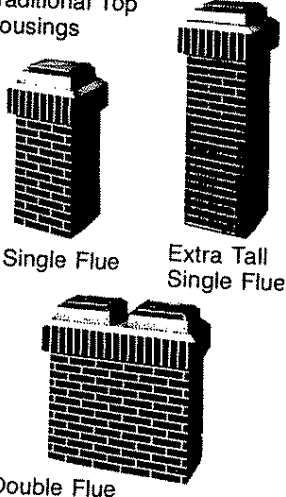
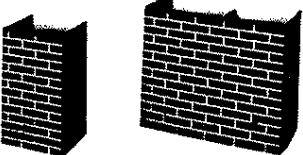

Fig. 27. Dimensions of MD36R-AO, MD36L-AO.

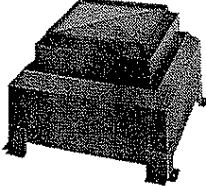
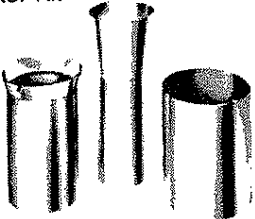



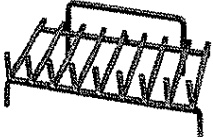


## Accessory Parts

The following accessory parts can be obtained from your Majestic Dealer. The glass enclosure kit, outside air kit, top terminations, and hearth patching kit are supplied with installation instructions packaged with the unit. Should you need additional information beyond what your dealer can furnish, contact the Majestic Company, Huntington, Indiana 46750, Attention: Director of Customer Service.

**CAUTION: This fireplace and chimney assembly is a highly engineered system and, as such, must be operated only with Majestic approved components that have been designed as parts of the system. If you use an unapproved component or make any modifications, you may possibly cause a fire hazard and will void the Majestic warranty. In addition, such action may void the coverage provided by the owner's house insurance.**

Accessory	Description	Model No.
Glass Enclosure Kit 	Designed to enclose the fireplace opening with glass doors, allowing the fire to remain visible.	GEK28-0 (M28/AO) GEK36-0 (M36/AO, MD36/AO) GERL36 (MD36R/L-AO) GEK42-0 (MD42/AO, M42)
Outside Air Kit 	Designed to provide outside air for fuel combustion in the firebox. This accessory <b>must</b> be installed before the fireplace is installed.	MAK-4
Chimney Support 	Used to support the chimney at <b>each</b> 30 feet of vertical height above the hearth and at every 6 feet of inclined chimney run. Each support adds 3 inches to chimney length.	TCS8 (8" flue) TCS9 (9" flue)
Chimney Elbows 	Used to develop offset chimney systems. Both 15° and 30° elbows are available. (elbows packed 2 per carton — upper and lower elbow set)	815/2 (15°-8" flue) 830/2 (30°-8" flue) 915/2 (15°-9" flue) 930/2 (30°-9" flue)
Wall Shield 	Used to protect walls adjacent to the fireplace.	SP40
Hearth Extension 	Located on the floor in front of the fireplace opening to protect the floor from heat, hot embers, ashes, etc.	EH28A (M28/AO) EH36A (M36/AO and MD36/AO) EH36RLA (MD36R/L-AO) EH42A (MD42/AO, M42)
Contemporary Round Top Termination 	Used to terminate chimney on the roof. Flashing not included.	RT8C (8" flue) RT9C (9" flue)

Accessory	Description	Model No.
<p>Contemporary Flashing</p> 	<p>Required for contemporary round top termination on the roof to prevent rain entry.</p>	<p>8-6-12 (8" flue: 0 to 6/12 pitch) 8-12-12 (8" flue: 6/12 to 12/12 pitch) 9-6-12 (9" flue 0-6/12 pitch) 9-12-12 (9" flue 6/12 to 12/12 pitch)</p>
<p>Square Top Chase Termination</p> 	<p>Used to terminate chimney at the top of a chase. Adapter kit included. Flashing not included.</p>	<p>TS8 (8" flue) TS9 (9" flue)</p>
<p>Extended Round Top Chase Termination</p> 	<p>Used to terminate chimney at the top of a chase. Adapter kit included. Flashing not included.</p>	<p>RT8CL (8" flue) RT9CL (9" flue)</p>
<p>Chase Top Flashing</p> 	<p>Used with chase terminations to prevent rain entry.</p>	<p>FL88 (8" flue) FL99 (9" flue)</p>
<p>Traditional Top Housings</p>  <p>Single Flue      Extra Tall Single Flue</p> <p>Double Flue</p>	<p>Gives traditional chimney top look using simulated brick in red, tan or white color. Brick pattern is embossed into galvanized steel unit. Roof flashing is included. Adapter kit (BCA) is required.</p>	<p>T20A (single flue) TL20A (extra tall single flue) T44A (double flue) T20SA (single flue with spark arrester)</p>
<p>Housing Extensions</p> 	<p>Required to extend Traditional Top Housings on steeply pitched roofs.</p>	<p>202036 (single flue) 204436 (double flue)</p>
<p>Adapter Kit</p> 	<p>Required to unite triple-wall chimney with Traditional Top Housing</p>	<p>8CA (8" flue) 9CA (9" flue)</p>

Accessory	Description	Model No.												
Contemporary Chase Top Termination 	Used to terminate chimney at the top of a chase. Flashing is not included. Adapter kit (TT8CB) is required.	TT200B												
Adapter Kit 	Required to unite triple-wall chimney with Contemporary Chase Top.	TT8CB (8" flue) TT9CB (9" flue)												
Chimney Sections 	Used to build chimney systems.	<table border="0"> <tr> <td>8" flue</td> <td>9" flue</td> </tr> <tr> <td>81 (1' long)</td> <td>91 (1' long)</td> </tr> <tr> <td>818 (1½' long)</td> <td>918 (1½' long)</td> </tr> <tr> <td>82 (2' long)</td> <td>92 (2' long)</td> </tr> <tr> <td>83 (3' long)</td> <td>93 (3' long)</td> </tr> <tr> <td>85 (5' long)</td> <td></td> </tr> </table>	8" flue	9" flue	81 (1' long)	91 (1' long)	818 (1½' long)	918 (1½' long)	82 (2' long)	92 (2' long)	83 (3' long)	93 (3' long)	85 (5' long)	
8" flue	9" flue													
81 (1' long)	91 (1' long)													
818 (1½' long)	918 (1½' long)													
82 (2' long)	92 (2' long)													
83 (3' long)	93 (3' long)													
85 (5' long)														
Firestop 	Required at each floor level and attic on multi-story installation.	FS3A (9" straight flue) FS10A (9" 15° inclined flue) FS2A (8" straight flue) FS6A (8" 30° inclined flue) FS9A (8" 15° inclined flue) FS13A (9" 30° inclined flue)												
Radiant Shield 	Used as an alternate to the FS2A firestop to reduce the clearance from the chimney to combustible framing.	RS-8A												
Basket Grate 	Used in the firebox to hold firewood.	BG21 (M28I-AO) BG22 (All Other M Series)												
Hearth Patching Kit 	Used to patch cracks in hearth.	HPC1												
Trim Kits 	Used to trim off fireplace surround. (Not used on open end fireplace).	STK28 STK36 STK42 TST28 TST36 TST42												



MAJESTIC Fireplaces are listed, certified, and/or accepted by leading national and local building codes and authorities including:



Underwriters Laboratories, Inc.

Council of American Building Officials  
 Report No. NRB-181 or NRB-244