

This Owner's Manual is provided and hosted by [Appliance Factory Parts](#).



Alfresco AXEPZA Owner's Manual

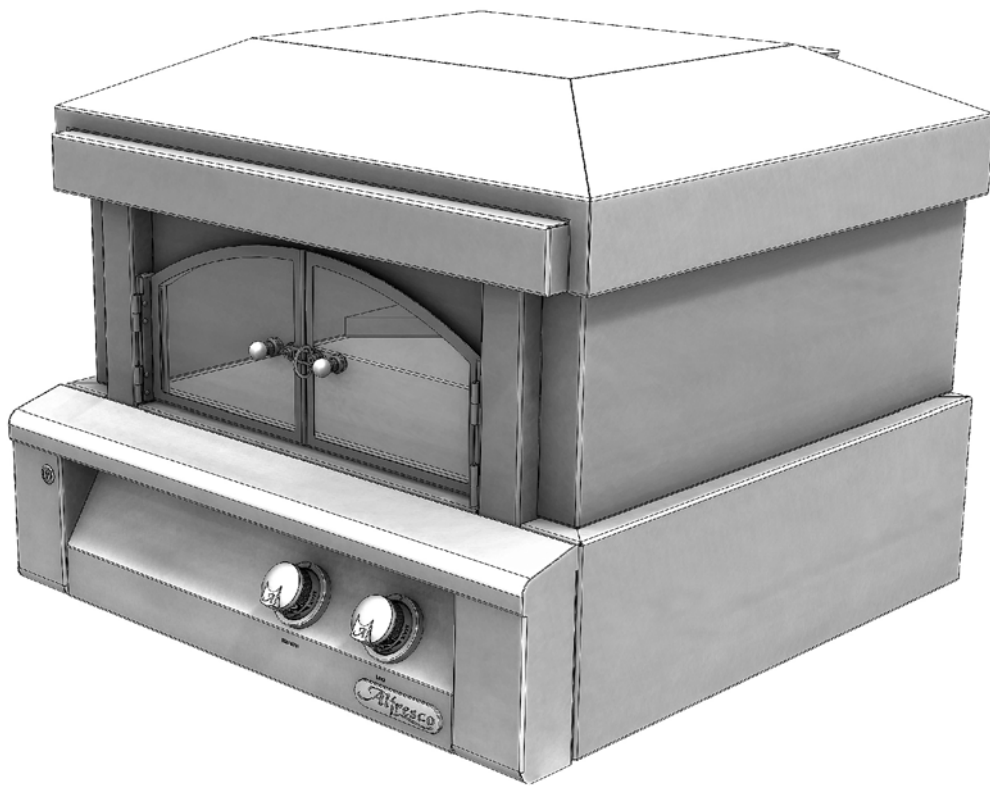
[Shop genuine replacement parts for Alfresco AXEPZA](#)



[Find Your Alfresco Oven Parts - Select From 8 Models](#)

----- Manual continues below -----

Alfresco™



AXEPZA PIZZA OVEN PARTS MANUAL SERIAL N° 18-00000 FORWARD

Alfresco™
SUPERIOR EQUIPMENT SOLUTIONS
1085 BIXBY DRIVE
CITY OF INDUSTRY, CA. 91745

THE INFORMATION CONTAINED IN THIS DRAWING IS THE SOLE PROPERTY OF SUPERIOR EQUIPMENT SOLUTIONS INC. ANY REPRODUCTION IN PART OR AS A WHOLE WITHOUT WRITTEN PERMISSION FROM SUPERIOR EQUIPMENT SOLUTIONS, INC. IS PROHIBITED.

**DRAWN BY: ADRIAN CRISCI
CREATED: 10/02/2018 8:30AM**

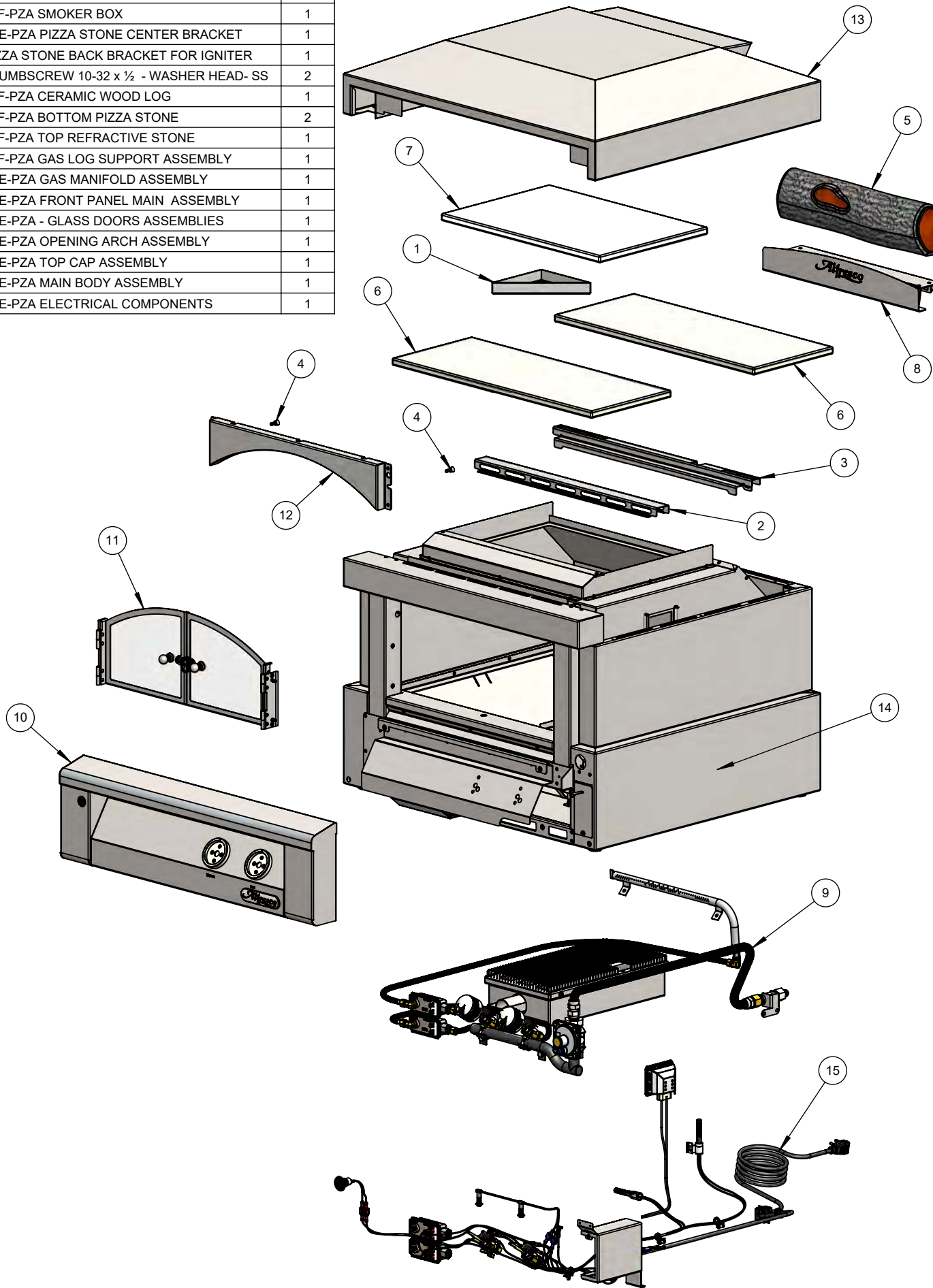
**PROJECT TITLE:
PART MANUALS**

**DRAWING TITLE:
AXE-PZA PARTS MANUAL**

**DRAWING NO.: 500-0200 MANU
SHEET 1 OF 1**

BILL OF MATERIAL

NO.	PART #	DESCRIPTION	QTY.
1	100-2478	ALF-PZA SMOKER BOX	1
2	100-2828	AXE-PZA PIZZA STONE CENTER BRACKET	1
3	100-2845	PIZZA STONE BACK BRACKET FOR IGNITER	1
4	200-0395	THUMBSCREW 10-32 x 1/2 - WASHER HEAD- SS	2
5	290-0365	ALF-PZA CERAMIC WOOD LOG	1
6	290-0366	ALF-PZA BOTTOM PIZZA STONE	2
7	290-0367	ALF-PZA TOP REFRACTIVE STONE	1
8	510-0818	ALF-PZA GAS LOG SUPPORT ASSEMBLY	1
9	510-1092	AXE-PZA GAS MANIFOLD ASSEMBLY	1
10	510-1096	AXE-PZA FRONT PANEL MAIN ASSEMBLY	1
11	510-1097	AXE-PZA - GLASS DOORS ASSEMBLIES	1
12	510-1100	AXE-PZA OPENING ARCH ASSEMBLY	1
13	510-1101	AXE-PZA TOP CAP ASSEMBLY	1
14	510-1107	AXE-PZA MAIN BODY ASSEMBLY	1
15	510-1109	AXE-PZA ELECTRICAL COMPONENTS	1

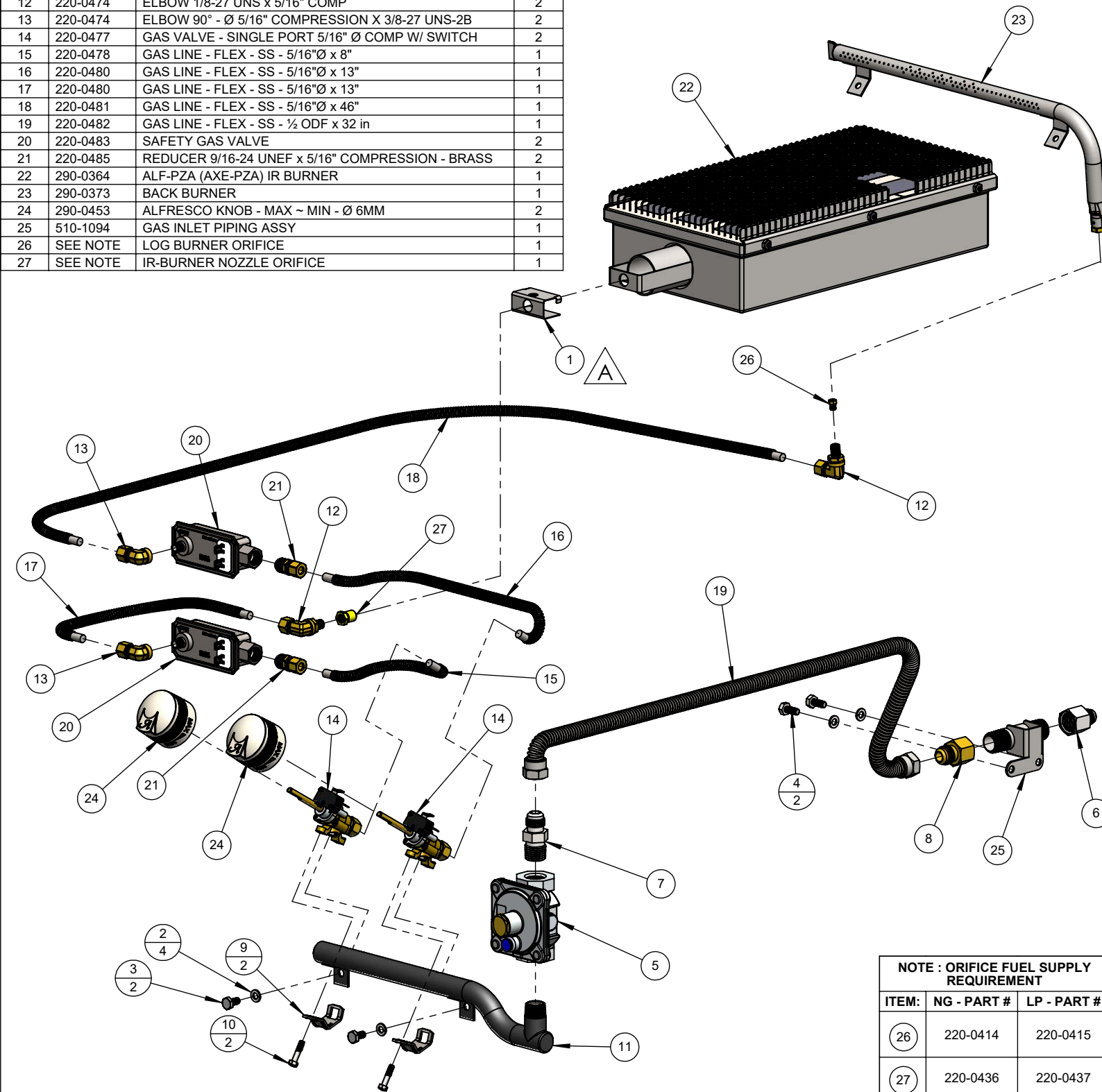


BILL OF MATERIAL

NO.	PART #	DESCRIPTION	QTY.
1	100-2830	AXE-PZA IR BURNER INLET CLOSEOFF	1
2	200-0087	WASHER, 1/4" - SPRING LOCK - SS	4
3	200-0089	BOLT - HEX HEAD 1/4-20 x 1/2" L	2
4	200-0219	SCREW 1/4-20 UNC X 5/8 LONG - HEX HD - SS	2
5	220-0280	REGULATOR GAS - MAXITROL RV48CL440002	1
6	220-0403	NIPPLE 3/8" OD FL x 1/2" FPT (FOR LP HOOK-UP)	1
7	220-0406	NIPPLE 1/2" OD FL x 1/2" MPT x 3/8" FPT	1
8	220-0408	NIPPLE 1/2" OD FL x 1/2" FPT	1
9	220-0458	BRACKET - GAS VALVE SADDLE MOUNT	2
10	220-0459	SCREW M5 x 26 - POZI-COMB-HEX HEAD- 11.5 PT	2
11	220-0473	MANIFOLD - CUSTOM	1
12	220-0474	ELBOW 1/8-27 UNS x 5/16" COMP	2
13	220-0474	ELBOW 90° - Ø 5/16" COMPRESSION X 3/8-27 UNS-2B	2
14	220-0477	GAS VALVE - SINGLE PORT 5/16" Ø COMP W/ SWITCH	2
15	220-0478	GAS LINE - FLEX - SS - 5/16"Ø x 8"	1
16	220-0480	GAS LINE - FLEX - SS - 5/16"Ø x 13"	1
17	220-0480	GAS LINE - FLEX - SS - 5/16"Ø x 13"	1
18	220-0481	GAS LINE - FLEX - SS - 5/16"Ø x 46"	1
19	220-0482	GAS LINE - FLEX - SS - ½ ODF x 32 in	1
20	220-0483	SAFETY GAS VALVE	2
21	220-0485	REDUCER 9/16-24 UNEF x 5/16" COMPRESSION - BRASS	2
22	290-0364	ALF-PZA (AXE-PZA) IR BURNER	1
23	290-0373	BACK BURNER	1
24	290-0453	ALFRESCO KNOB - MAX ~ MIN - Ø 6MM	2
25	510-1094	GAS INLET PIPING ASSY	1
26	SEE NOTE	LOG BURNER ORIFICE	1
27	SEE NOTE	IR-BURNER NOZZLE ORIFICE	1

REVISIONS

REV.	DESCRIPTION	DATE
A	ADDED ITEM & CORRECTED ORIFICE #S	7/30/2019



NOTE : ORIFICE FUEL SUPPLY REQUIREMENT		
ITEM:	NG - PART #	LP - PART #
26	220-0414	220-0415
27	220-0436	220-0437



THE INFORMATION CONTAINED IN THIS DRAWING IS THE SOLE PROPERTY OF SUPERIOR EQUIPMENT SOLUTIONS INC. ANY REPRODUCTION IN PART OR AS A WHOLE WITHOUT WRITTEN PERMISSION FROM SUPERIOR EQUIPMENT SOLUTIONS, INC. IS PROHIBITED.

DRAWN BY: ADRIAN CRISCI
CREATED: 7/13/2017 10:31:03 AM

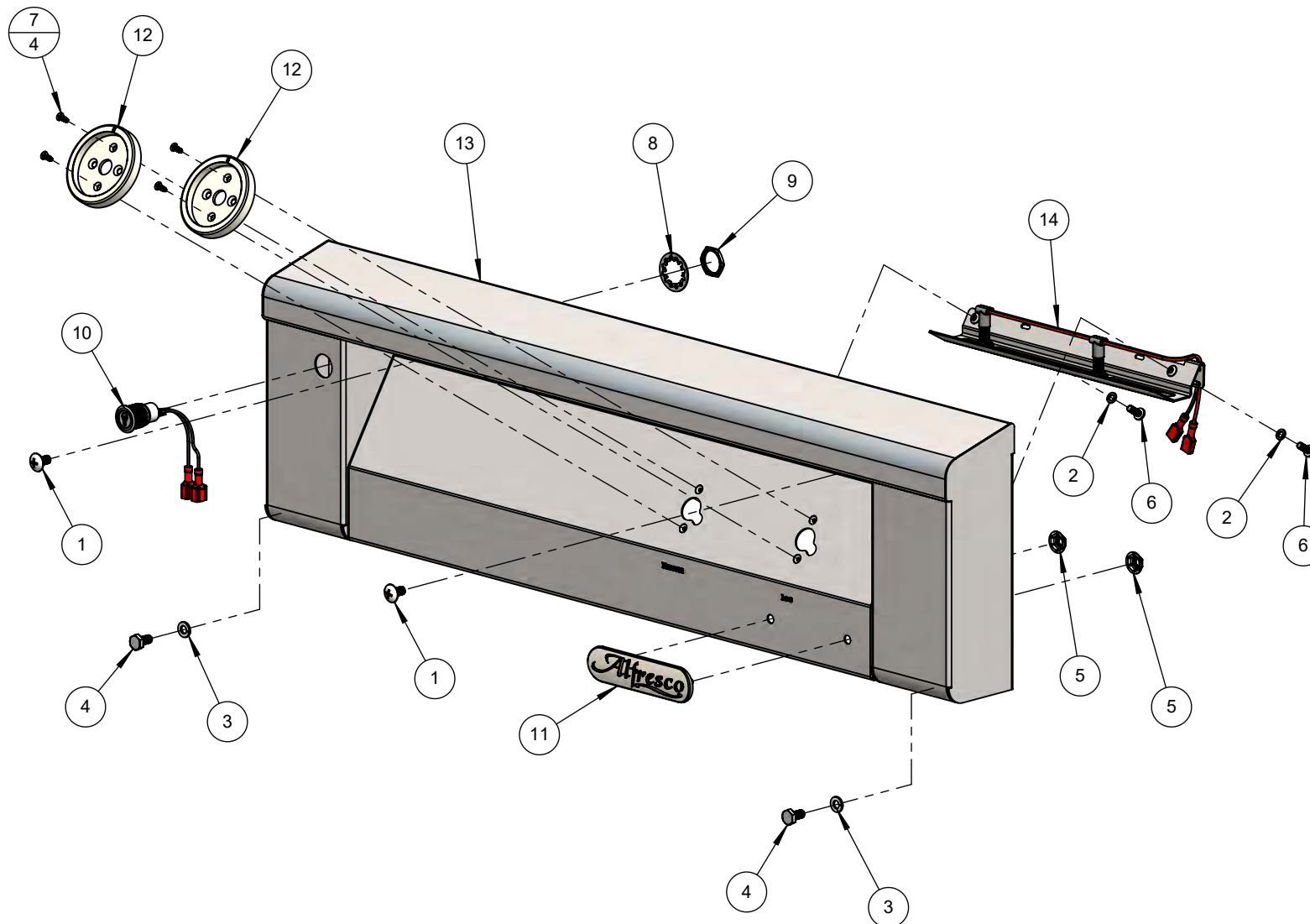
PROJECT TITLE:
AXE-PZA

DRAWING TITLE:
AXE-PZA GAS MANIFOLD ASSEMBLY

DRAWING NO.: 510-1092
SHEET 1 OF 1

BILL OF MATERIAL

NO.	PART #	DESCRIPTION	QTY
1	200-0057	SCREW 1/4-20 X 1/2 - TRUSS HEAD - PHILLIPS	2
2	200-0075	# 10 LOCK WASHER	2
3	200-0087	WASHER - 1/4" SPRING LOCK- REGULAR - SS	2
4	200-0089	BOLT - HEX HEAD 1/4-20 x 1/2" L	2
5	200-0125	NUT THREAD CUTTER FOR 1/4" Ø STUD -SPEED NUT	2
6	200-0267	10-32 X 1/2 - PAN HEAD - PHILLIPS SCREW	2
7	200-0348	SCREW 6-32 x 3/8 - THREAD CUTTER - FLAT HEAD PHILIPS	4
8	210-0581	WASHER - LOCK - Ø 19 mm - INTERNAL TEETH	1
9	210-0582	NUT - Ø 19 mm X 1	1
10	210-0584	SWITCH - LIGHT - LATCHING [ON/OFF]	1
11	290-0377	ALFRESCO RANGE LOGO	1
12	290-0388	ALFRESCO RANGE KNOB - BEZEL RING	2
13	510-1095	AXE-PZA - FRONT PANEL WELDED PARTS	1
14	510-1102	BULLNOSE LIGHT ASSEMBLY	1



THE INFORMATION CONTAINED IN THIS DRAWING IS THE SOLE PROPERTY OF SUPERIOR EQUIPMENT SOLUTIONS INC. ANY REPRODUCTION IN PART OR AS A WHOLE WITHOUT WRITTEN PERMISSION FROM SUPERIOR EQUIPMENT SOLUTIONS, INC. IS PROHIBITED.

DRAWN BY: ADRIAN CRISCI
CREATED: 8/4/2017 11:33:32 AM

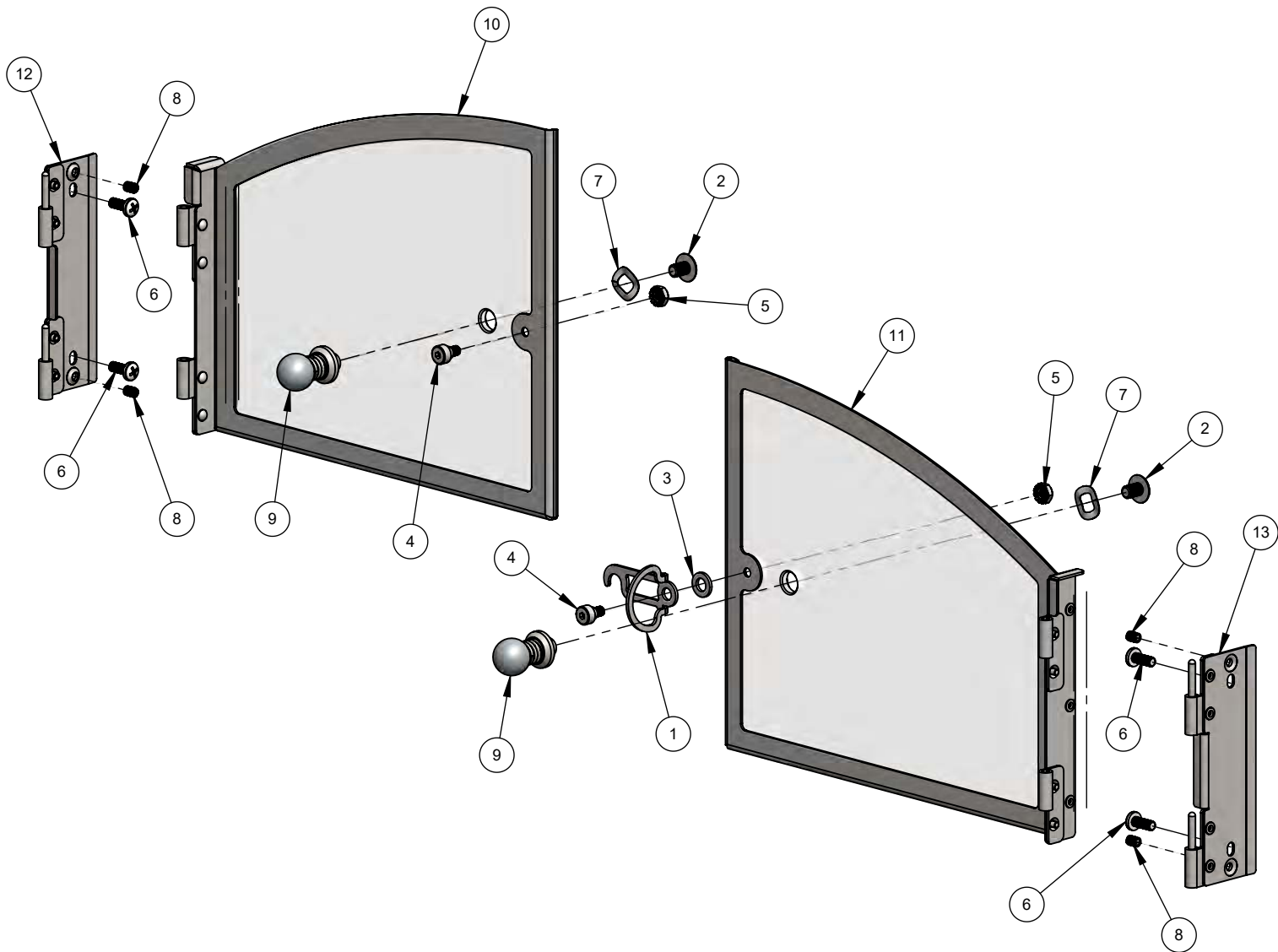
PROJECT TITLE:
AXE-PZA

DRAWING TITLE:
AXE-PZA FRONT PANEL MAIN ASSEMBLY

DRAWING NO.: 510-1096
SHEET 1 OF 1

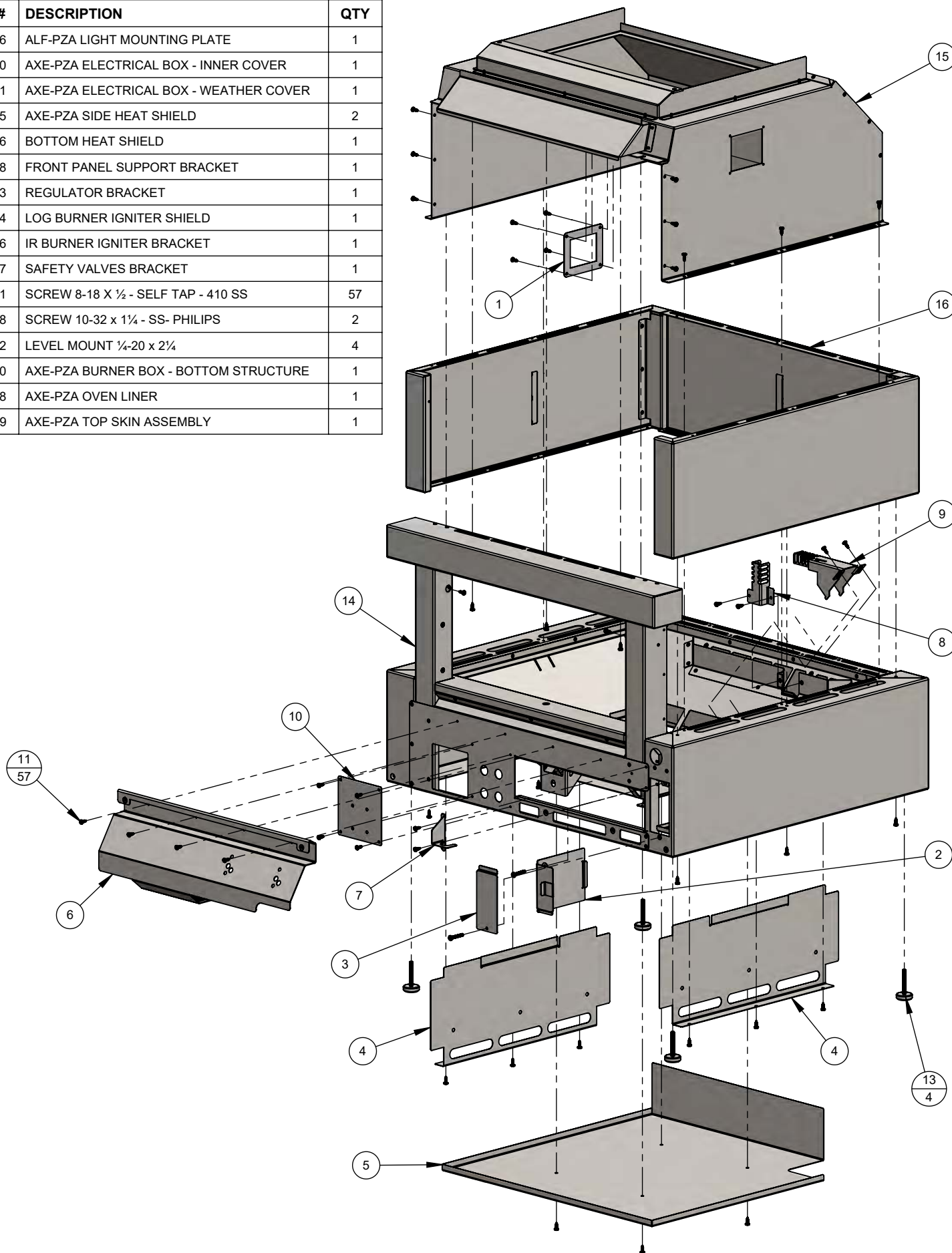
BILL OF MATERIAL

NO.	PART #	DESCRIPTION	QTY
1	100-2848	GLASS DOOR LATCH	1
2	200-0086	1/4-20 X 3/8 - TRUSS HEAD - PHILIPS SCREW	2
3	200-0088	WASHER - FLAT - 1/4" - NARROW - TYPE B	1
4	200-0112	SCREW 10-32 x 1/4 x 1/8 x 1/4- SHOULDER - 1/8 SOCKET - SS	2
5	200-0238	10-32 KEP NUT 18-8 STAINLESS	2
6	200-0267	10-32 X 1/2 - PAN HEAD - PHILLIPS SCREW	4
7	200-0376	WASHER - .391 Ø x .682 Ø (5/16"~3/8") - TRIPLE WAVE - SS	2
8	200-0394	SCREW SET - 10-32 x 1/4 - SS.SLDPRT	4
9	510-1049	GLASS DOOR KNOB ASSEMBLY	2
10	510-1103	LEFT GLASS DOOR ASSEMBLY	1
11	510-1104	RIGHT GLASS DOOR ASSEMBLY	1
12	510-1105	AXE-PZA LEFT DOOR - BODY HINGE	1
13	510-1106	AXE-PZA RIGHT DOOR - BODY HINGE	1



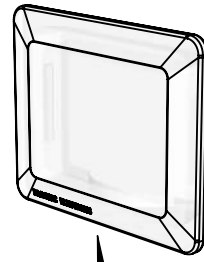
BILL OF MATERIAL

NO.	PART #	DESCRIPTION	QTY
1	100-2456	ALF-PZA LIGHT MOUNTING PLATE	1
2	100-2790	AXE-PZA ELECTRICAL BOX - INNER COVER	1
3	100-2791	AXE-PZA ELECTRICAL BOX - WEATHER COVER	1
4	100-2795	AXE-PZA SIDE HEAT SHIELD	2
5	100-2796	BOTTOM HEAT SHIELD	1
6	100-2798	FRONT PANEL SUPPORT BRACKET	1
7	100-2833	REGULATOR BRACKET	1
8	100-2844	LOG BURNER IGNITER SHIELD	1
9	100-2846	IR BURNER IGNITER BRACKET	1
10	100-2847	SAFETY VALVES BRACKET	1
11	200-0111	SCREW 8-18 X 1/2 - SELF TAP - 410 SS	57
12	220-0118	SCREW 10-32 x 1 1/4 - SS- PHILIPS	2
13	290-0362	LEVEL MOUNT 1/4-20 x 2 1/4	4
14	510-1090	AXE-PZA BURNER BOX - BOTTOM STRUCTURE	1
15	510-1098	AXE-PZA OVEN LINER	1
16	510-1099	AXE-PZA TOP SKIN ASSEMBLY	1



BILL OF MATERIAL

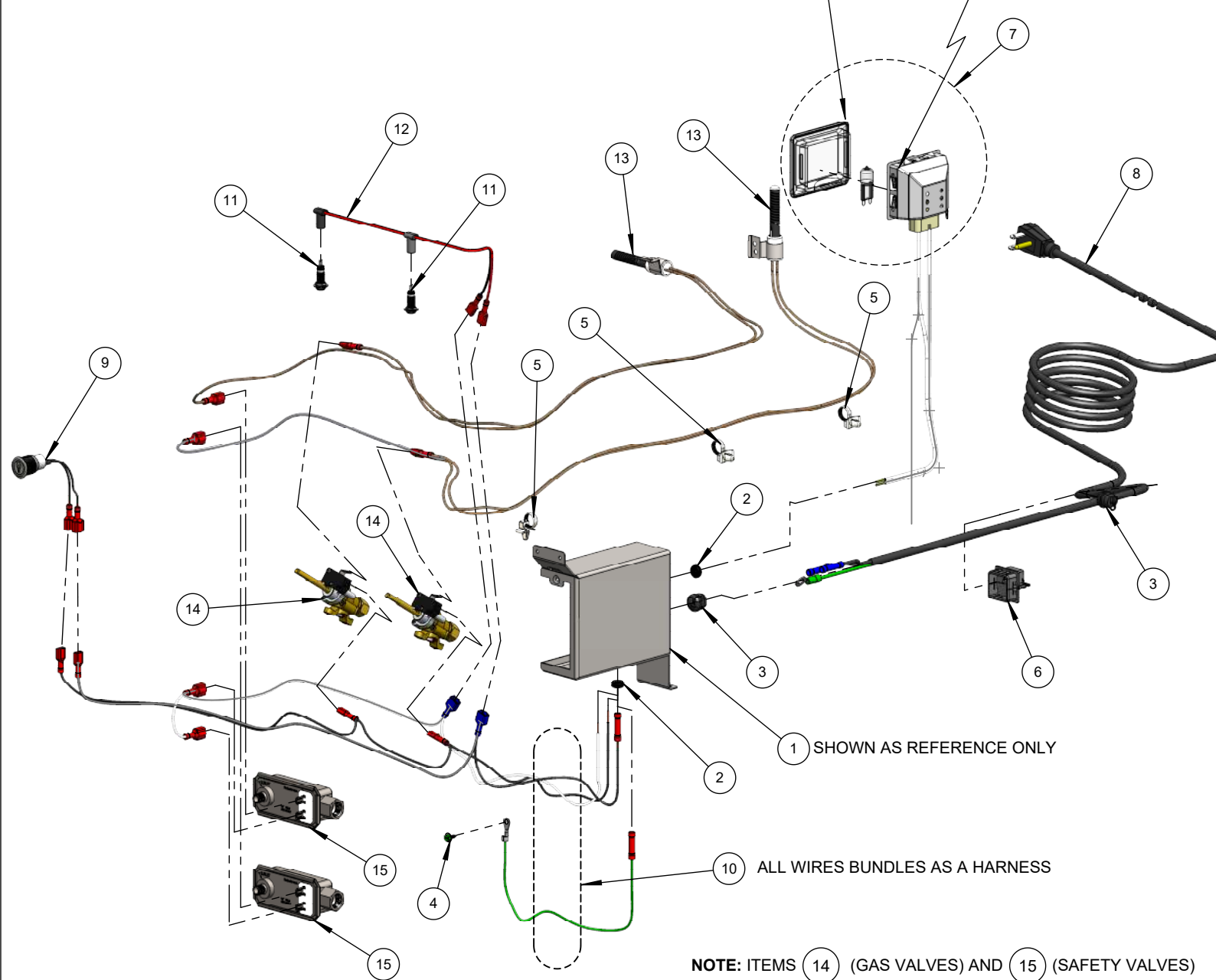
NO.	PART #	DESCRIPTION	QTY
1	100-2789	AXE-PZA ELECTRICAL BOX	1
2	200-0007	GROMMET 1/4" Ø - SRB RUBBER	2
3	200-0009	HEYCO STRESS RELIEF BUSHING # 1200 SR 6N3-4	2
4	200-0320	SCREW 8-32 x 3/8" - GROUNDING SCREW	1
5	210-0258	CABLE TIE - T&B L-5-50PM-9	4
6	210-0269	CABLE STRAIN RELIEF - HEYCO 1843	1
7	210-0488	LAMP FIXTURE ASSEMBLY - G9/120V/40W	1
8	210-0499	EXTENSION CORD - 8 FT. 18/3 - NEMA 5-15 - 90° PLUG	1
9	210-0584	SWITCH - LIGHT - LATCHING [ON/OFF]	1
10	210-0652	AXE-PZA ELECTRICAL WIRING HARNESS	1
11	210-0661	AMBER LED LIGHT - Ø 8 mm - WITH PINS	2
12	210-0666	PANEL LIGHT HARNESS	1
13	210-0690	HEARTH & LOG - HOT SURFACE IGNITER	2
14	220-0477	GAS VALVE - SINGLE PORT 5/16" Ø COMP W/ SWITCH	2
15	220-0483	SAFETY GAS VALVE	2



REPLACEMENT GLASS COVER
PART#210-0286



REPLACEMENT LAMP
G940120 - G9 BASE
40 W - 120 VAC
PART# 210-0317



NOTE: ITEMS (14) (GAS VALVES) AND (15) (SAFETY VALVES) SHOWN FOR CONNECTIONS REFERENCE ONLY - COMPONENTS ARE PART OF PIPING ASSEMBLY DRAWING 510-1092 M1