

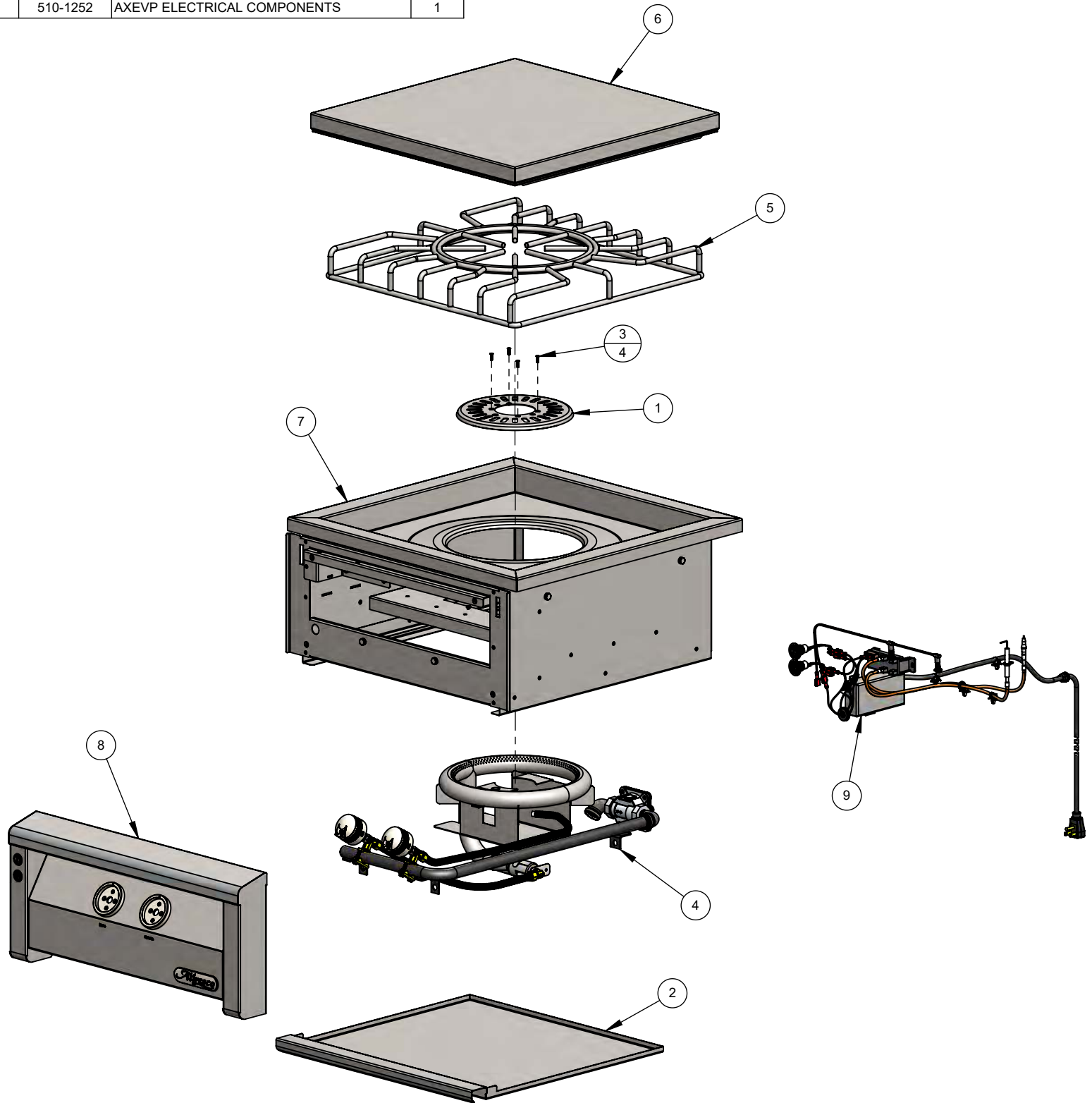
# Alfresco™



## **AXEVP VERSAPOWERTM COOKING SYSTEM PARTS MANUALS** *(SN° 18-00000 & FORWARD)*

**BILL OF MATERIAL**

NO.	PART #	DESCRIPTION	QTY
1	100-1478	AXEVP TOP DECK BURNER CAP	1
2	100-2986	GREASE TRAY	1
3	200-0098	SCREW 6-32 X 1/2" - FLAT HEAD 82° - PHILIPS	4
4	510-0382	AXEVP MANIFOLD ASSEMBLY	1
5	510-0385	AXEVP - GRATE ASSEMBLY - POT / WOK USE	1
6	510-0387	AXEVP - COVER	1
7	510-1144	MAIN BODY ASSEMBLY	1
8	510-1147	FRONT PANEL MAIN ASSEMBLY	1
9	510-1252	AXEVP ELECTRICAL COMPONENTS	1

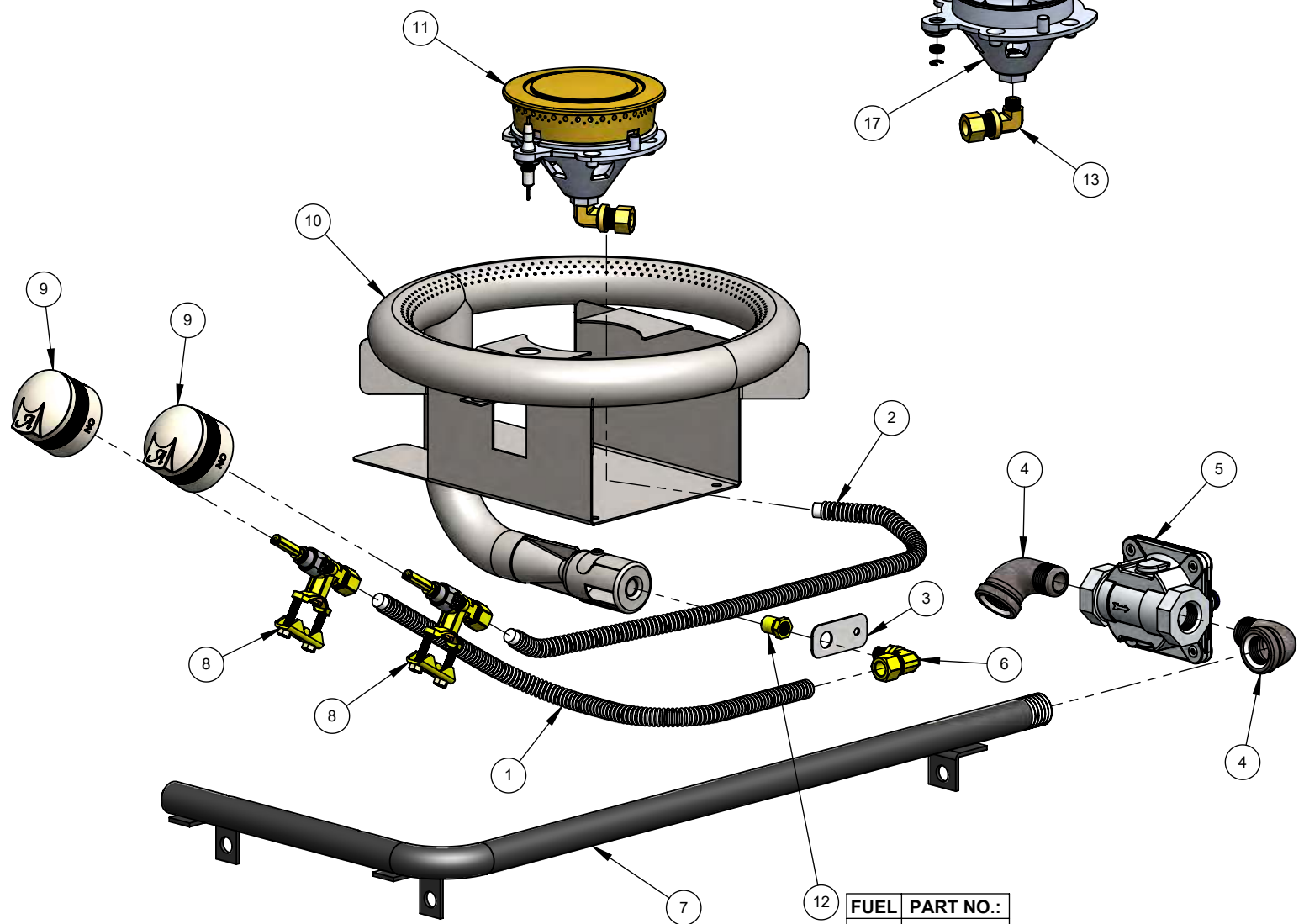


**BILL OF MATERIAL**

NO.	PART #	DESCRIPTION	QTY.
1	100-0941	AXEVP- BURNER GAS LINE - 3/8" X 24" -SS	1
2	100-0941	AXEVP - BURNER GAS LINE - 3/8" X 24" -SS	1
3	100-1067	SMOKER & SZ™ ORIFICE BRACKET	1
4	200-0274	ELBOW 90°- CAST IRON - 1/2" FPT x 1/2" MPT	2
5	220-0280	REGULATOR GAS - MAXITROL RV48CL440002	1
6	220-0293	ELBOW 3/8-27 UNS x 3/8" COMP	1
7	220-0298	MANIFOLD - SIDE BURNER / VERSAPOWER	1
8	290-0042	GAS VALVE - SIDE BURNER - WITH INTERNAL ORIFICE	2
9	290-0451	KNOB - BBQ VALVE - ASSEMBLY	2
10	510-0383	AXEVP - RING BURNER ASSEMBLY	1
11	SEE NOTE	AXEVP CENTER BURNER ASSEMBLY ► SEE EXPLODED VIEW	1
12	SEE NOTE	AXEVP PERIMETER BURNER ORIFICE ► SEE NOTE	1

**BILL OF MATERIAL**

NO.	PART #	DESCRIPTION	QTY
13	220-0293	ELBOW .125 FPT x .375 COMP (SIDE BURNER)	1
14	290-0072	SIDE BURNER - EXTERIOR CAP	1
15	290-0074	ELECTRODE ASSEMBLY	1
16	290-0222	SIDE BURNER - INNER CAP	1
17	290-0344	SIDE BURNER BODY	1
18	SEE NOTE	SIDE BURNER ORIFICE ► SEE NOTE	1

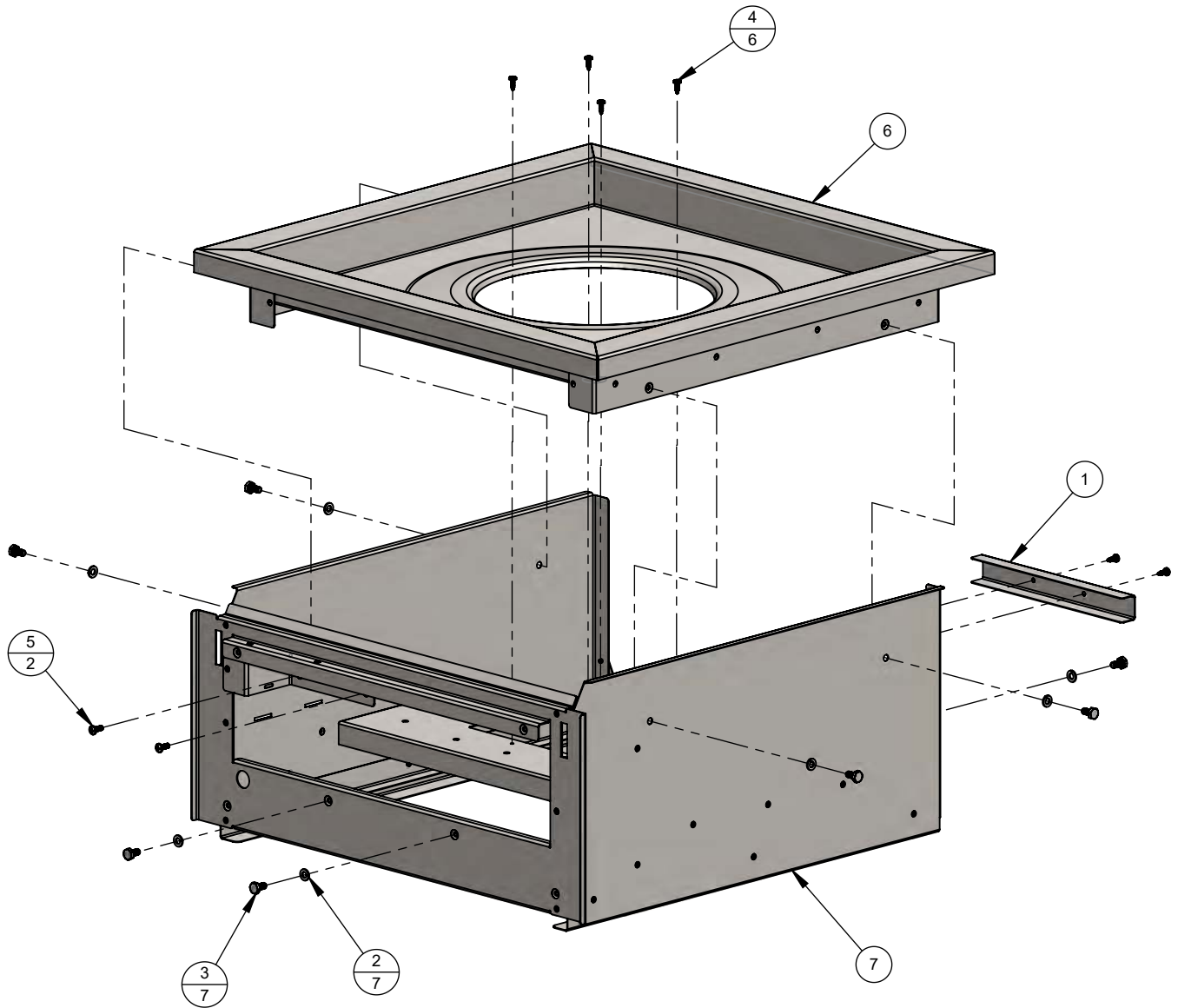


FUEL	PART NO.:
NG	220-0368
LP	220-0369

FUEL	PART NO.:
NG	220-0370
LP	220-0290

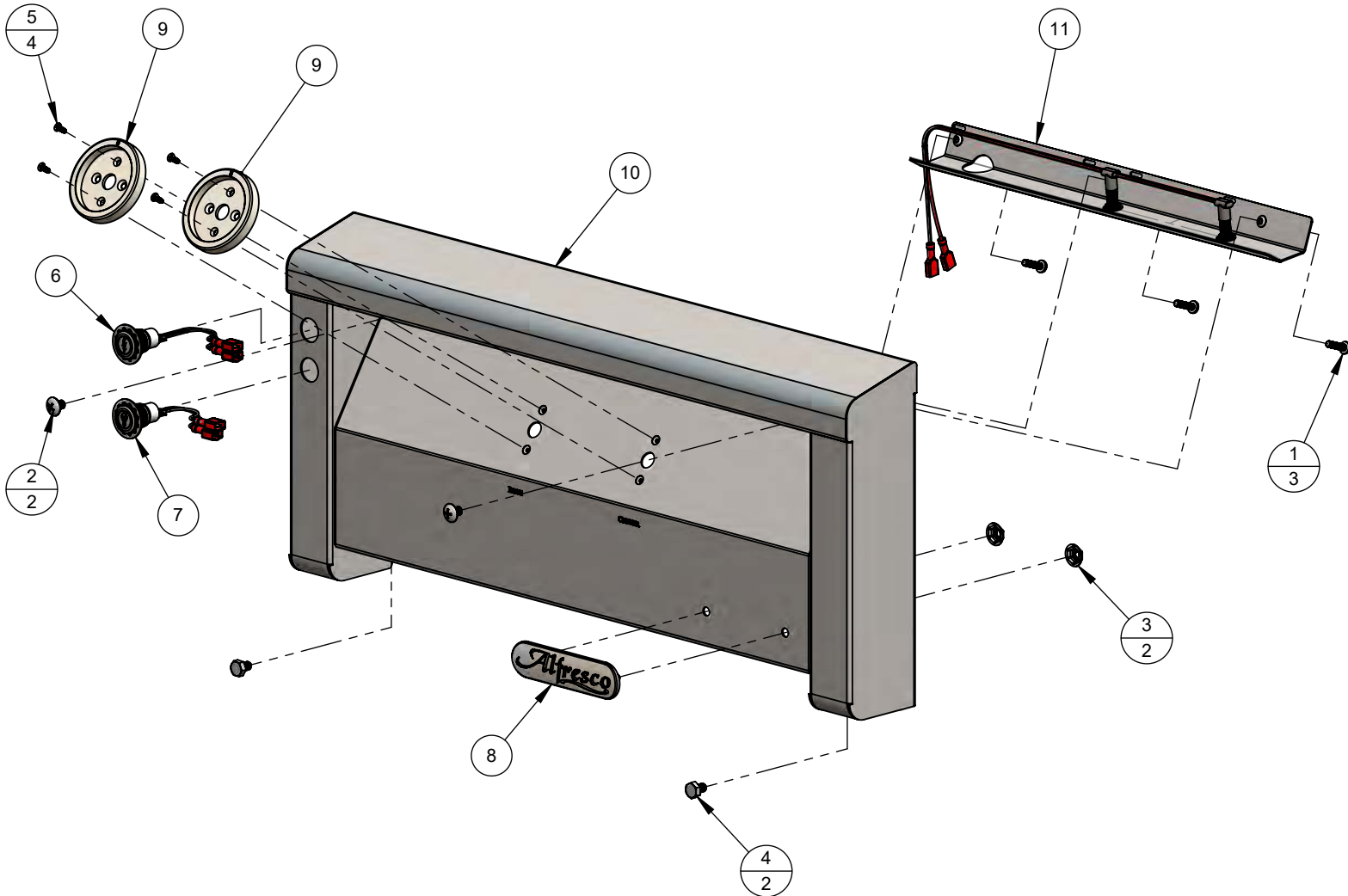
**BILL OF MATERIAL**

NO.	PART #	DESCRIPTION	QTY
1	100-2980	RING BURNER SUPPORT PLATE (B)	1
2	200-0087	WASHER, 1/4" - SPRING LOCK - SS	7
3	200-0089	BOLT - HEX HEAD 1/4-20 x 1/2" L	7
4	200-0111	SCREW 8-18 X 1/2 - SELF TAP - 410 SS	6
5	200-0267	SCREW 10-32 X 1/2 - PAN HEAD - PHILLIPS	2
6	510-1145	TOP BODY ASSEMBLY	1
7	510-1146	BOTTOM BODY SUBASSEMBLY	1



**BILL OF MATERIAL**

NO.	PART #	DESCRIPTION	QTY
1	200-0062	10-32 X 3/4 - PAN HEAD - PHILLIPS SCREW	3
2	200-0086	SCREW 1/4-20 X 3/8 - TRUSS HEAD - PHILLIPS	2
3	200-0125	NUT THREAD CUTTER FOR 1/4" Ø STUD -SPEED NUT	2
4	200-0220	HEX HD MACHINE SCREW 1/4-20 UNC X 3/8 LONG SS	2
5	200-0348	SCREW 6-32 x 3/8 - THREAD CUTTER - FLAT HEAD PHILIPS	4
6	210-0583	SWITCH - IGNITION - MOMENTARY [ON]/OFF	1
7	210-0584	SWITCH - LIGHT - LATCHING [ON/OFF]	1
8	290-0377	ALFRESCO RANGE LOGO	1
9	290-0388	ALFRESCO RANGE KNOB - BEZEL RING	2
10	510-1148	FRONT PANEL WELDED / RIVETED PARTS	1
11	510-1151	LIGHT ASSEMBLY	1



**NOTE:**  
 ITEMS (6) , (7) AND (11) SHOWN AS REFERENCE ONLY.  
 FOR ELECTRICAL COMPONENTS SEE DRAWING 510-1252 M1.

**BILL OF MATERIAL**

NO.	PART #	DESCRIPTION	QTY
1	100-2961	ELECTRICAL J-BOX	1
2	200-0003	GROMMET 3/8" Ø - MMC# 9600K33	1
3	200-0005	GROMMET 1/2" Ø - MMC# 9600K22	1
4	200-0009	HEYCO STRESS RELIEF BUSHING # 1200 SR 6N3-4	2
5	200-0199	SCREW 6-32 x 1/4 - PAN HEAD CROSS - SS	1
6	200-0320	SCREW 8-32 x 3/8 - GROUNDING SCREW	1
7	210-0248	SIDE BURNER ELECTRODE A1202-E	1
8	210-0258	CABLE TIE - T&B L-5-50PM-9	4
9	210-0309	IGNITER WIRE KIT	1
10	210-0464	IGNITER MODULE (2 POINTS)	1
11	210-0498	ELECTRODE "L" SHAPED - AGVPC RING BURNER	1
12	210-0499	NEMA 5-15 - 90° PLUG 18/3 EXTENSION CORD	1
13	210-0583	SWITCH - IGNITION - MOMENTARY [ON]/OFF	1
14	210-0584	SWITCH - LIGHT - LATCHING [ON/OFF]	1
15	210-0661	AMBER LED LIGHT - Ø 8 mm - WITH PINS	2
16	210-0666	PANEL LIGHT HARNESS	1
17	210-0672	ELECTRICAL WIRE KIT	1

**NOTES:**

- ITEM (7) SHOWN AS ILLUSTRATION ONLY.  
ELECTRODE IS PART OF ASSEMBLY, SEE 510-0382 M1
- ITEM (9) REPLACED AS A BUNDLE NOT INDIVIDUALLY.
- ITEM (17) REPLACED AS A HARNESS NOT INDIVIDUALLY.

