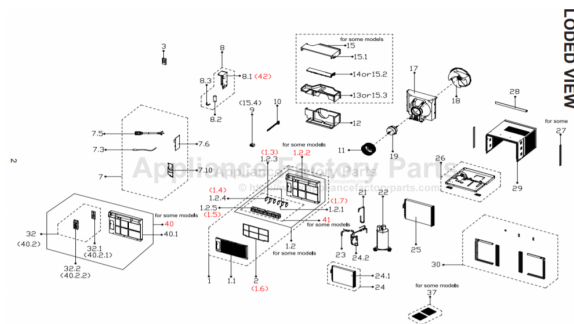


This Owner's Manual is provided and hosted by Appliance Factory Parts.



COMFORT-AIRE RADS-101Q Owner's Manual

[Shop genuine replacement parts for COMFORT-AIRE
RADS-101Q](#)



[Find Your COMFORT-AIRE Air Conditioner Parts - Select From 599 Models](#)

----- Manual continues below -----

Comfort-Aire®

Century®

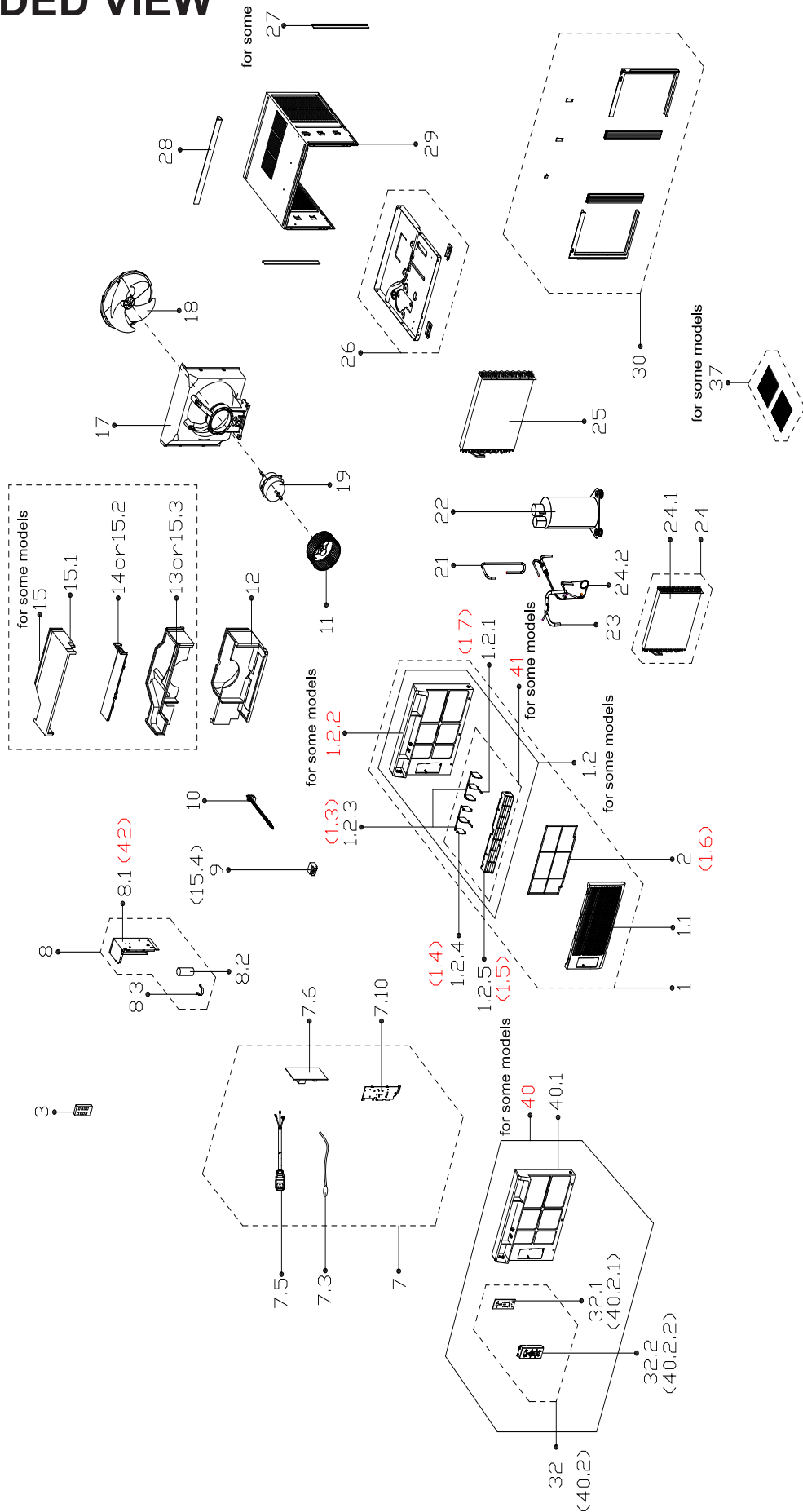
MARS®
Delivering Confidence

REPLACEMENT PARTS LIST

Room Air Conditioner

RADS-101Q

EXPLODED VIEW



REPLACEMENT PARTS

Location	Part Name	Quantity	Part No.
1	Front panel assembly	1	12120300A22117
1.1	Panel	1	12120300A21690
1.2	Panel frame assembly	1	12120300A21711
1.2.2	Panel frame	1	12120300A21892
1.3	Connecting rod of louver	2	12120300004484
1.4	Shutter	4	12120300004486
1.5	Air outlet frame	1	12120300A21873
1.6	Air filter	1	12100204A00044
1.7	Shutter	2	12120300004485
3	Remote controller	1	17317000A01189
7	Electronic control box subassembly	1	17220300003631
7.3	Room temperature sensor	1	11201007003446
7.5	Power cord subassembly	1	17401202000109
7.6	Main control board subassembly	1	17120300003509
7.10	Cover of electronic control box	1	12220300000494
8	Electronic control box assembly	1	17220300003630
8.2	Capacitor of compressor	1	17400104000765
8.3	Fix clamp	1	12200203000798
10	Connecting rod of fresh air door	1	12120300004269
11	Centrifugal fan	1	12100103000052
12	Volute shell subassembly(above)	1	12820300000559
15	Volute shell subassembly(above)	1	12820300000560
15.1	Volute shell (above)	1	12820300000098
15.2	Supporter subassembly of air passage	1	12120300004509
15.3	Volute shell (middle)	1	P0000001347286
15.4	Bracket of fresh air door	1	12120300004508
17	Rear barrier board subassembly	1	12120300004268
18	Axial flow fan	1	12100105000032
19	Single phase asynchronous motor	1	11002012010280
21	Suction pipe assembly	1	15120300005708
22	Fixed Speed Rotary Compressor	1	11103010014611
23	Discharge pipe assembly	1	15120300001000
24	Evaporator assembly	1	15820300002703
24.1	Evaporator	1	15820300002704
24.2	Capillary Subassembly	1	15120300005705
25	Condenser assembly	1	15820300002705
26	Chassis assembly	1	12220300003499
28	Top shutter frame subassembly	1	12220300003501
29	Cabinet assembly	1	12220300003498
30	Installation accessory	1	12020300000547
32	Display box subassembly	1	17220300A15410
32.2	Control panel	1	12120300A21703
37	Accessory kit	1	12011600001938
42	Electronic control box subassembly	1	12220300003500

Due to ongoing product improvements, specifications and dimensions are subject to change and correction without notice or incurring obligations. Determining the application and suitability for use of any product is the responsibility of the installer. Additionally, the installer is responsible for verifying dimensional data on the actual product prior to beginning any installation preparations.

Incentive and rebate programs have precise requirements as to product performance and certification. All products meet applicable regulations in effect on date of manufacture; however, certifications are not necessarily granted for the life of a product. Therefore, it is the responsibility of the applicant to determine whether a specific model qualifies for these incentive/rebate programs.



1900 Wellworth Ave., Jackson, MI 49203 • Ph. 517-787-2100 • www.marsdelivers.com

