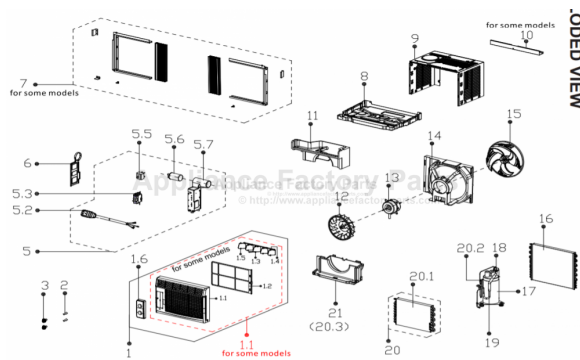


This Owner's Manual is provided and hosted by [Appliance Factory Parts](http://www.appliancefactoryparts.com).



COMFORT-AIRE RG-51Q Owner's Manual

**[Shop genuine replacement parts for COMFORT-AIRE
RG-51Q](#)**



[Find Your COMFORT-AIRE Air Conditioner Parts - Select From 599 Models](#)

----- Manual continues below -----

Comfort-Aire®

Century®

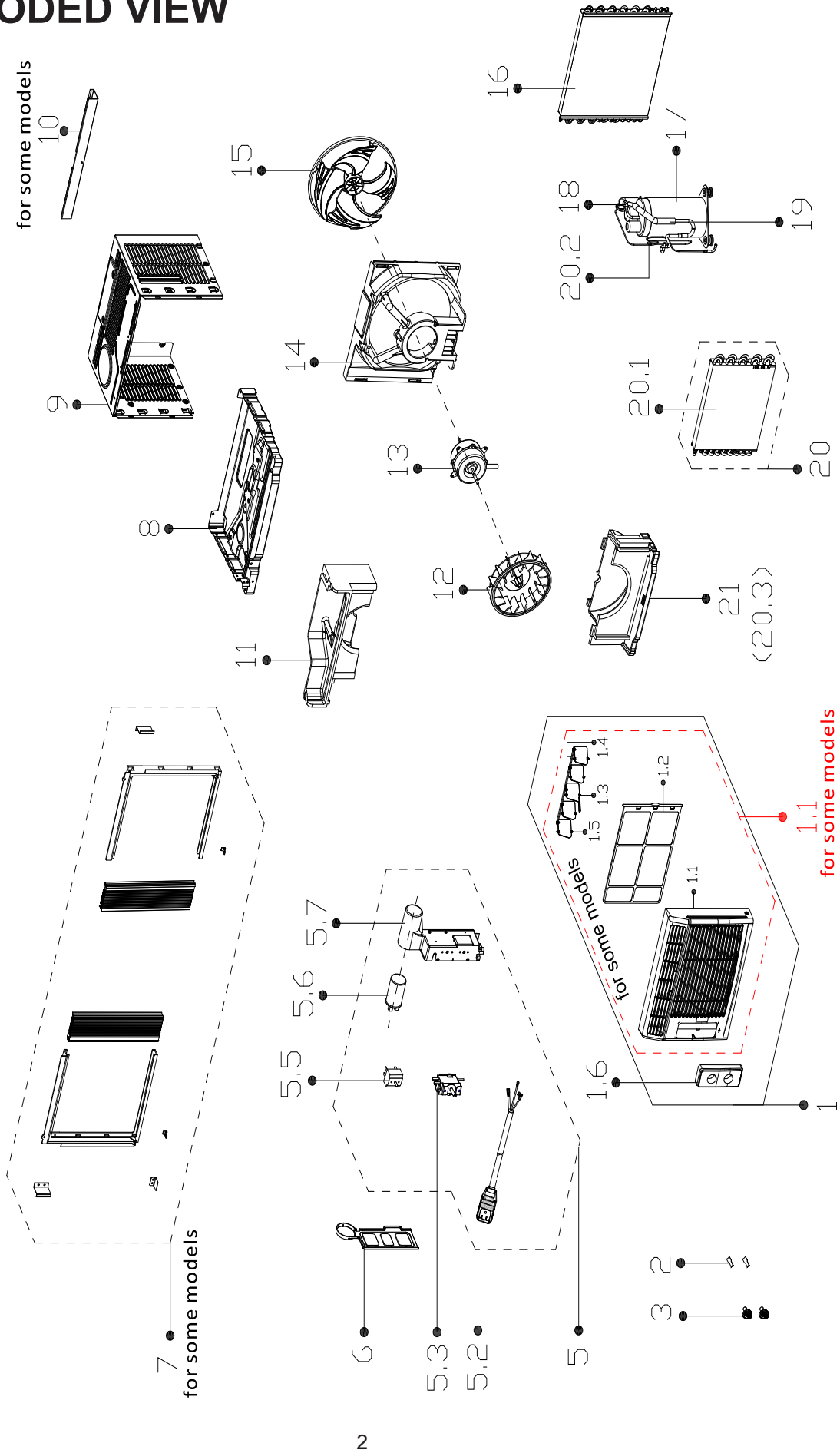
MARS®
Delivering Confidence

REPLACEMENT PARTS LIST

Room Air Conditioner

RG-51Q

EXPLODED VIEW



REPLACEMENT PARTS

Location	Part Name	Quantity	Part No.
1	Front panel assembly	1	12120300A22114
1.1	Panel subassembly	1	12120300A21636
1.6	Control panel	1	12120300A21599
2	Spring for knob	2	12900102000013
3	Knob	2	12100403001104
5	Electronic control box assembly	1	17220300003552
5.2	Power cord subassembly	1	17401202000045
5.3	Thermostat	1	17400513000013
5.5	Master rotary switch	1	17400517000016
5.6	Capacitor of compressor	1	17400104000015
5.7	Electronic control box subassembly	1	12220300003558
6	Cover of electronic control box	1	12220300000485
7	Installation accessory	1	12020300000487
8	Chassis assembly	1	12220300003460
9	Cabinet assembly	1	12220300003458
10	Top shutter frame subassembly	1	12220300003459
11	Volute shell subassembly(above)	1	12820300000540
12	Centrifugal fan	1	12100103000884
13	Single phase asynchronous motor	1	11002012032135
14	Fan housing	1	12120300004244
15	Axial flow fan	1	12100105000781
16	Condenser assembly	1	15820300002564
17	Fixed Speed Rotary Compressor	1	11103010015333
18	Discharge pipe assembly	1	15120300005724
19	Suction pipe	1	15120300004782
20	Evaporator assembly	1	15820300002562
20.1	Evaporator	1	15820300002563
20.2	Capillary subassembly	1	15120300005642
20.3	Volute shell subassembly(above)	1	12820300000539

Due to ongoing product improvements, specifications and dimensions are subject to change and correction without notice or incurring obligations. Determining the application and suitability for use of any product is the responsibility of the installer. Additionally, the installer is responsible for verifying dimensional data on the actual product prior to beginning any installation preparations.

Incentive and rebate programs have precise requirements as to product performance and certification. All products meet applicable regulations in effect on date of manufacture; however, certifications are not necessarily granted for the life of a product. Therefore, it is the responsibility of the applicant to determine whether a specific model qualifies for these incentive/rebate programs.



1900 Wellworth Ave., Jackson, MI 49203 • Ph. 517-787-2100 • www.marsdelivers.com

