



# AVFLST Vent Free See Through Fireplace System Installation & Operating Instructions

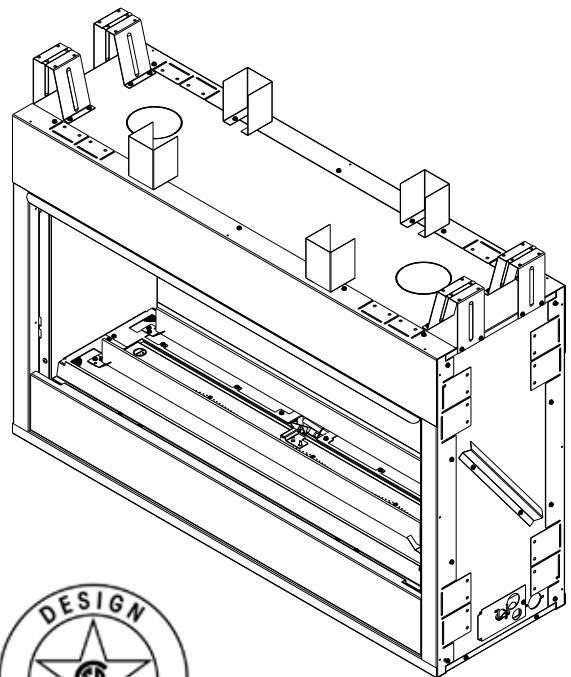
Models: AVFLST42NTSC and AVFLST42PTSC

---

**⚠ WARNING!** If the information in this manual is not followed exactly, a fire or explosion may result causing property damage, personal injury or loss of life.

- Do not store or use gasoline or other flammable vapors and liquids in the vicinity of this or any other appliance.
- **WHAT TO DO IF YOU SMELL GAS**
  - Do not try to light any appliance.
  - Do not touch any electrical switch; do not use any phone in your building.
  - Leave the building immediately.
  - Immediately call your gas supplier from a neighbor's phone. Follow the gas supplier's instructions.
  - If you cannot reach your gas supplier, call the fire department.
- Installation and service must be performed by a qualified installer, service agency or the gas supplier.

This is an unvented gas-fired heater. It uses air (oxygen) from the room in which it is installed. Provisions for adequate combustion and ventilation air must be provided. Refer to *Page 7*.



**INSTALLER:** Leave this manual with the appliance.  
**CONSUMER:** Retain this manual for future reference.

**Thank you and congratulations on your purchase of a Monessen fireplace.**  
**PLEASE READ THE INSTALLATION AND OPERATION INSTRUCTIONS BEFORE USING THE APPLIANCE!**  
**IMPORTANT: Read all instructions and warnings carefully before starting installation.**  
**Failure to follow these instructions may result in a possible fire hazard and will void the warranty.**

<b>IMPORTANT SAFETY INFORMATION .....</b>	<b>3</b>	<b>SIGNATURE COMMAND® SYSTEM OPERATION .....</b>	<b>18</b>
Building code information .....	4	Features .....	18
<b>PRODUCT FEATURES.....</b>	<b>5</b>	Battery installation .....	18
AVFLST42 controls .....	5	System configuration/setup .....	18
Gas specifications & orifice size .....	5	Cold climate option .....	18
Gas pressures .....	5	Signature Command® system function settings .....	19
<b>FIREPLACE and FRAMING DIMENSIONS .....</b>	<b>6</b>	Functions/operation .....	20
<b>PRE-INSTALLATION INFORMATION .....</b>	<b>7</b>	Self diagnostics chart: .....	20
Getting started .....	7	Command center operations: .....	20
What you will need for installation .....	7	<b>TOUCH SCREEN REMOTE CONTROL OPERATION 21</b>	
Planning the installation .....	7	<b>FLAME APPEARANCE &amp; LED CONTROL.....</b>	<b>27</b>
Adequate combustion and ventilation air .....	7	Flame appearance .....	27
Fireplace location .....	8	Check the pilot flame .....	27
Clearances and height requirements .....	9	Check the burner flame .....	27
<b>FIREPLACE INSTALLATION .....</b>	<b>10</b>	LED Control.....	27
Secure fireplace to framing .....	10	<b>MAINTENANCE and CLEANING.....</b>	<b>28</b>
Finishing material .....	10	Cleaning and servicing .....	28
Noncombustible facing installation .....	10	Replacing top light bulb .....	28
Connect the gas .....	11	Replacing led strips .....	28
Check gas pressure .....	12	Operating information .....	30
Gas pressures .....	12	Optional accessories .....	30
<b>ELECTRICAL INSTALLATION .....</b>	<b>13</b>	<b>OPERATION AND OPTIONAL ACCESSORIES .....</b>	<b>30</b>
Wiring junction box .....	13	<b>TROUBLESHOOTING .....</b>	<b>31</b>
<b>FINAL INSTALLATION .....</b>	<b>15</b>	<b>REPLACEMENT PARTS .....</b>	<b>34</b>
Installation of air deflection glass .....	15	<b>LIMITED LIFETIME WARRANTY .....</b>	<b>36</b>
Fireglass only placement .....	15		
Glass and optional stone kit placement .....	15		
<b>OPERATING INSTRUCTIONS .....</b>	<b>16</b>		
For your safety read before lighting .....	16		
Turning on unit .....	17		
To turn off gas to appliance .....	17		

**INSTALLER**

Please leave these instructions with the appliance.

**OWNER**

Please retain these instructions for future reference.

**⚠ WARNING!**

- Any change to this heater or its controls can be dangerous.
- Improper installation or use of the heater can cause serious injury or death from fire, burns, explosion or carbon monoxide poisoning.
- Do not allow fans to blow directly into the fireplace. Avoid any drafts that alter burner flame patterns.
- Do not use a blower insert, heat exchanger insert or other accessory, not approved for use with this heater where applicable.

- |   |   |
|---|---|
| <ol style="list-style-type: none"> <li>1. Due to high temperatures, the appliance should be located out of traffic and away from furniture and draperies.</li> <li>2. Children and adults should be alerted to the hazard of high surface temperature and should stay away to avoid burns or clothing ignition.</li> <li>3. Young children should be carefully supervised when they are in the same room with the appliance.</li> <li>4. Do not place clothing or other flammable material on or near the appliance.</li> <li>5. Any safety screen or guard removed for servicing an appliance, must be replaced prior to operating the heater.</li> <li>6. Installation and repair should be done by a qualified service person. To prevent malfunction and/or sooting, an unvented gas heater should be cleaned before use and at least annually by a professional service person. More frequent cleaning may be required due to excessive lint from carpeting, bedding materials, etc. It is imperative that control compartments, burners and circulating air passageways be kept clean.</li> <li>7. <b>WARNING!</b> Any change to this heater or its controls can be dangerous.</li> <li>8. Unvented gas heaters are a supplemental zone heater. They are not intended to be the primary heating appliance.</li> </ol> | <ol style="list-style-type: none"> <li>12. Do not install the heaters in a bathroom or bedroom.</li> <li>13. Proper location of the heater, and annual cleaning are necessary to avoid potential problems with sooting. Sooting, resulting from improper installation or operation, can settle on surfaces outside the fireplace.</li> <li>14. Avoid any drafts that alter burner flame patterns. Do not allow fans to blow directly into fireplace. Do not place a blower inside burn area of firebox. Ceiling fans may create drafts that alter burner flame patterns. Sooting and improper burning will occur.</li> <li>15. <b>Caution:</b> Candles, incense, oil lamps, etc. produce combustion byproducts including soot. Vent-free appliances will not filter or clean soot produced by these types of products. In addition, the smoke and/or aromatics (scents) may be re-burned in the vent-free appliance which can produce odors. It is recommended to minimize the use of candles, incense, etc. while the vent-free appliance is in operation.</li> <li>16. This is an unvented gas-fired heater. It uses air (oxygen) from the room in which it is installed. Provisions for adequate combustion and ventilation air must be provided. Refer to <i>Page 7</i>.</li> <li>17. This heater shall not be installed in a room or space unless the required volume of indoor combustion air is provided by the method described in the <i>National Fuel Gas Code, ANSI Z223.1/NFPA 54</i>, the <i>International Fuel Gas Code</i> or applicable local codes.</li> <li>18. Keep room area clear and free from combustible materials, gasoline and other flammable vapors and liquids.</li> <li>19. Unvented gas heaters emit moisture into the living area. In most homes of average construction, this does not pose a problem. In houses of extremely tight construction, additional mechanical ventilation is recommended.</li> <li>20. During manufacturing, fabricating and shipping, various components of this appliance are treated with certain oils, films or bonding agents. These chemicals are not harmful but may produce annoying smoke and smells</li> </ol> |
|---|---|
9. **CARBON MONOXIDE POISONING:** Early signs of carbon monoxide poisoning are similar to the flu with headaches, dizziness and/or nausea. If you have these signs, obtain fresh air immediately. Have the heater serviced as it may not be operating properly.
  10. The installation must conform with local codes or, in the absence of local codes, with the **National Fuel Gas Code, ANSI Z223.1/NFPA54**.
  11. This unit complies with ANSI Z21.11.2 *Unvented Heaters*, latest edition.

as they are burned off during the initial operation of the appliance; possibly causing headaches or eye or lung irritation. This is a normal and temporary occurrence.

The initial break-in operation should last two to three hours with the burner at the highest setting. Provide maximum ventilation by opening windows or doors to allow odors to dissipate. Any odors remaining after this initial break-in period will be slight and will disappear with continued use.

21. Input ratings are shown in BTU per hour and are for elevations up to 2,000 feet. For elevations above 2,000 feet, input ratings should be reduced 4 percent for each 1,000 feet above sea level. Refer to the National Fuel Gas Code.
22. The appliance and its appliance main gas valve must be disconnected from the gas supply piping system during any pressure testing of that system at test pressures in excess of ½ psig (3.5 kPa).
23. The appliance must be isolated from gas supply piping system by closing its equipment shutoff valve during any pressure testing of the gas supply piping system at test pressures equal to or less than ½ psig (3.5 kPa).
24. Do not use this room heater if any part has been under water. Immediately call a qualified service technician to inspect the room heater and to replace any part of the control system and any gas control which has been under water.
25. Never burn solid fuels in a fireplace where a unvented room heater is installed.

**This appliance may be installed in an after-market, permanently located, manufactured (mobile) home, where not prohibited by local codes.**

**This appliance is only for use with the type of gas indicated on the rating plate. This appliance is not convertible for use with other gases.**

### **BUILDING CODE INFORMATION**

Adhere to all local codes or, in their absence, the latest edition of THE NATIONAL FUEL GAS CODE ANSI Z223.1 or NFPA54 which can be obtained from:

**American National Standards Institute, Inc.**

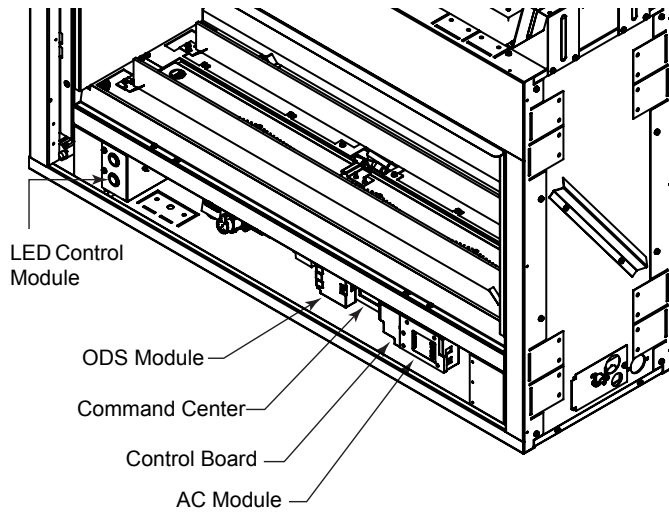
1430 Broadway  
New York, NY 10018

or

**National Fire Protection Association, Inc.**

Batterymarch Park  
Quincy, MA 02269

**AVFLST42 CONTROLS**



**Figure 1.** AVFLST42 Controls (Control Access Door Shown Open)

**GAS SPECIFICATIONS & ORIFICE SIZE**

MODEL	FUEL	MAX. INPUT (BTU/h)	MIN. INPUT (BTU/h)	ORIFICE SIZE
AVFLST42NTSC	NAT.	37,000	24,500	2.20 mm
AVFLST42PTSC	LP.	36,000	28,500	#55

**NOTE:** For LP models an external regulator is required to reduce supply pressure to a maximum of 13" w.c.

**GAS PRESSURES**

	NATURAL	PROPANE (LP)
Inlet Minimum	5.0" w.c.	11.0" w.c.
Inlet Maximum	10.5" w.c.	13.0" w.c.
Regulator Pressure Setting	3.5" w.c.	10" w.c.
Pilot Regulator	3.5" w.c.	—

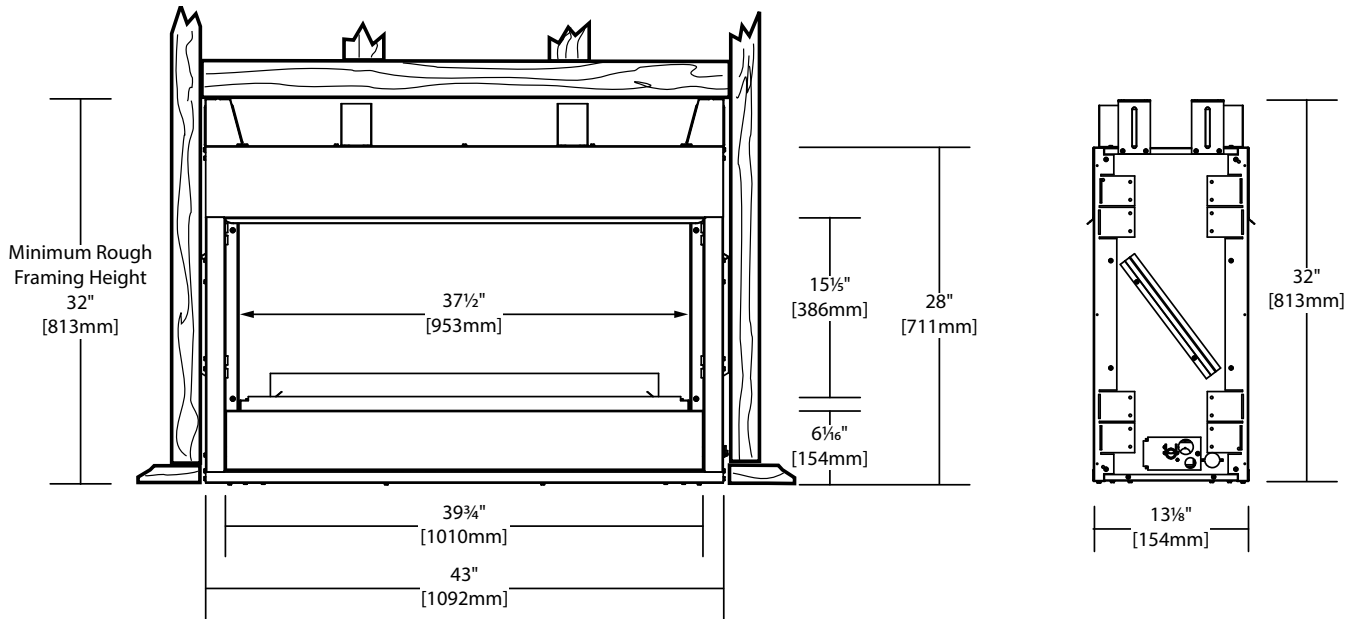
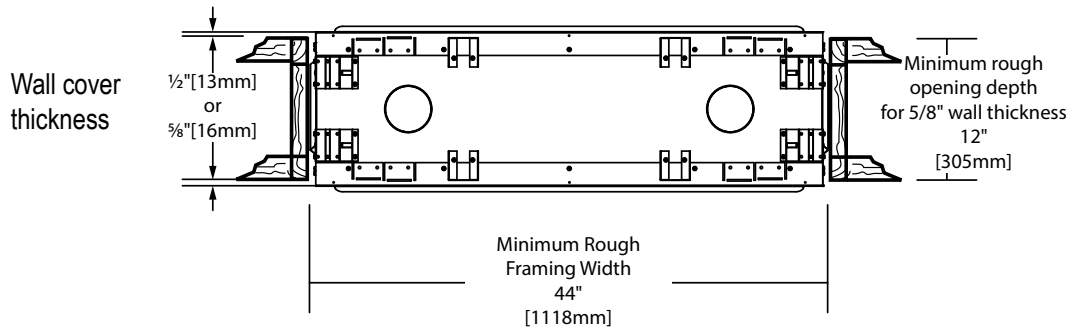


Figure 2. Fireplace dimensions

Interior wall installation



Exterior wall installation

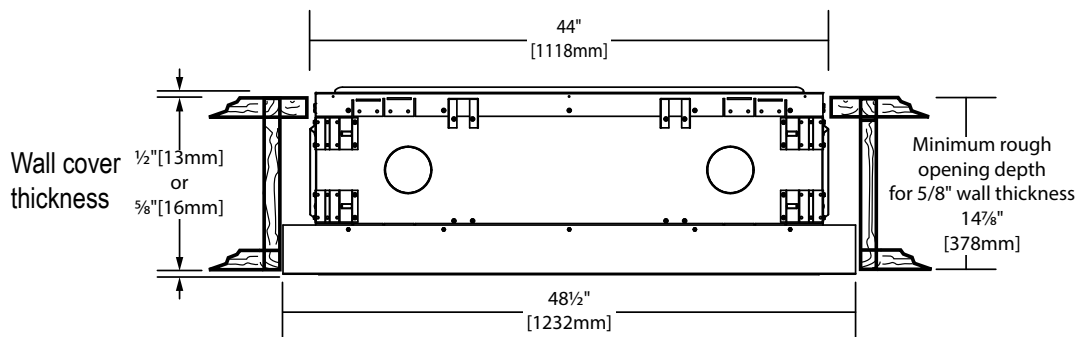


Figure 3. Framing dimensions with outdoor kit installed (AVFLSTSSODK)

## GETTING STARTED

Check to verify that all listed parts have been received. You should have the following:

- One (1) Unvented gas heater
- Two (2) Anchoring screws
- One (1) Installation/operating instructions
- Two (2) 5" noncombustible board
- Two (2) 2" x 32" deflector glass
- Two (2) Bags fireglass
- One (1) 100 watt bulb
- One (1) TSFSC remote control

Carefully inspect the contents for shipping damage. If any parts are missing or damaged, immediately inform the dealer from whom you purchased the appliance. **Do not attempt to install any part of the appliance unless you have all parts in good condition.**

## WHAT YOU WILL NEED FOR INSTALLATION

You must have the following items available before proceeding with installation:

- External regulator (for propane/LPG only)
- Manual shutoff valve
- Piping which complies with local codes
- Sediment trap
- Phillips head screwdriver
- Tee joint.
- Pipe sealant approved for use with propane/LPG (Resistant to sulfur compounds)
- Pipe wrench

### **WARNING!**

**Do not install the heater:**

- **Where curtains, furniture, clothing, or other flammable objects are less than 36" from the front of the heater.**
- **In high traffic areas.**
- **In windy or drafty areas.**

## PLANNING THE INSTALLATION

In planning the installation for the fireplace it is necessary to determine where the unit is to be installed and whether optional accessories are desired. Gas supply piping should also be planned. The following steps represent the normal sequence of installation. Each installation is unique, however, and might require a different sequence.

1. Position fireplace in desired location. Refer to the Fireplace and Framing Dimensions (page 6, Figures 2 and 3,) Fireplace Location (page 8, Figure 5) and Clearances and Height Requirements (page 9, Figures 6 and 7.)

**NOTE:** Be sure all cardboard packing material has been removed from under the unit.

2. Install following the instructions found in this manual.
3. Field wire main power supply to junction box. Refer to the Electrical Installation section (page 13). (Electrical connections should only be performed by an experienced, licensed certified service person).
4. Plumb gas line. Refer to the Connect the Gas (page 11, Figure 10) section found in this manual. (Gas connections should only be performed by an experienced, licensed/certified service person).
5. Complete finish wall material and/or surround.

## ADEQUATE COMBUSTION AND VENTILATION AIR

This heater shall not be installed in a confined space or unusually tight construction unless provisions are provided for adequate combustion and ventilation air.

The National Fuel Gas Code, (ANSI Z223.1/NFPA54), defines a confined space as a space whose volume is less than 50 cubic feet per 1,000 BTU per hour (4.8m<sup>3</sup> per kw) of the aggregate input rating of all appliances installed in that space, and an unconfined space as a space whose volume is not less than 50 cubic feet per 1,000 BTU per hour (4.8 m<sup>3</sup> per kw) of the aggregate input rating of all appliances installed in that space. Rooms communicating directly with the space in which the appliances are installed, through openings not furnished with doors, are considered a part of a confined space.

Unusually tight construction is defined as construction where:

- a. Walls and ceilings exposed to the outside atmosphere have a continuous water vapor retarder with a rating of 1 perm (6 x 10<sup>11</sup> kg per pa/sec-m<sup>2</sup>) or less with openings gasketed or sealed, and
- b. Weather stripping has been added on openable windows and doors, and

c. Caulking or sealants are applied to areas such as joints around window and door frames, between sole plates and floors, between wall-ceiling joints, between wall panels, at penetrations for plumbing, electrical and gas lines and other openings.

The following formula can be used to determine the maximum heater rating per the definition of unconfined space:

$$\frac{\text{BTU/Hr} = (L_1 + L_2) \text{ Ft} \times (W) \text{ Ft} \times (H) \text{ Ft}}{50}$$

Consider two connecting rooms with an open area between, with the following dimensions:

$$L_1 = 15\frac{1}{2} \text{ Ft.}, L_2 = 12 \text{ Ft.}, W = 12 \text{ Ft.}, H = 8 \text{ Ft.}$$

$$\frac{\text{BTU/Hr} = (15\frac{1}{2} + 12) \times (12) \times (8)}{50}$$

If there were a door between the two rooms the calculation would be based only on the room with the heater.

$$\frac{\text{BTU/Hr} = (15\frac{1}{2}) \times (12) \times (8)}{50}$$

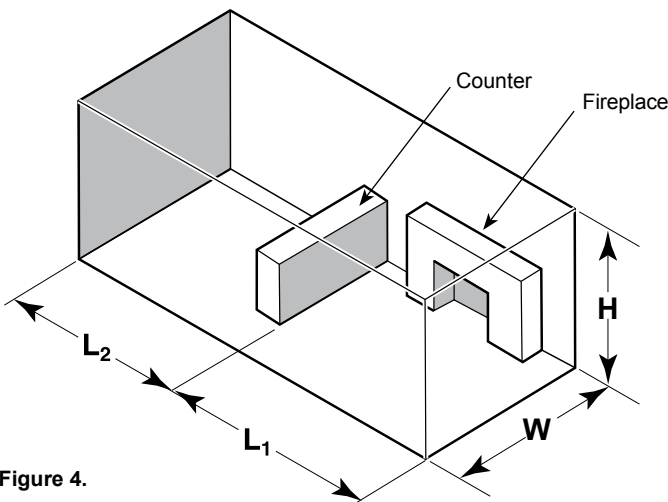


Figure 4.

**FIREPLACE LOCATION**

This unvented gas heater requires no outside venting and burns cleanly and efficiency. As a zero-clearance unvented gas heater, it can be installed recessed into any wall that is accessible to a gas line, except in a bedroom or bathroom.

Carefully select the best location for installation of your unvented fireplace. The following factors should be taken into consideration.

- Clearance to side wall, ceiling, woodwork and window or other combustibles. Refer to *Clearance and Height Requirements* section on Page 9. Minimum clearances to combustibles **must be maintained**.
- Location must not be affected by drafts caused by kitchen exhaust fans, ceiling fans, return air registers for forced air furnaces / air conditioners, windows or doors.
- Installation must provide adequate ventilation and combustion air.
- **DO NOT INSTALL THIS MODEL IN A BEDROOM OR BATHROOM.**
- Location should be out of high traffic areas and away from furniture and draperies due to heat from firebox.
- Never obstruct the front opening of the unvented fireplace or restrict the flow of combustion and ventilation air.
- Minimize modifications to existing construction. Refer to Figure 5 below for location suggestions.
- Do not install in the vicinity where gasoline or other flammable liquids may be stored. The unvented firebox must be kept clear and free from the combustible materials.

**⚠ WARNING!**

If the area in which the heater may be operated does not meet the required volume for indoor combustion air, combustion and ventilation air shall be provided by one of the methods described in the *National Fuel Gas Code, ANSI Z223.1/NFPA 54*, the *International Fuel Gas Code* or applicable local codes.

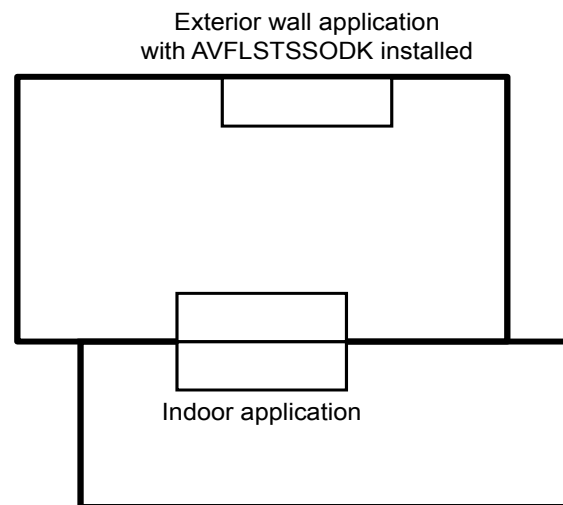


Figure 5. Possible Fireplace Locations

FP3029



### CLEARANCES AND HEIGHT REQUIREMENTS

Ensure that minimum clearances shown in Figures 6 and 7 are maintained. Left and right clearances are determined when facing the front of the firebox.

Follow these instructions carefully to ensure safe installation. Failure to follow these requirements may create a fire hazard.

**Sidewall Clearances** — The clearance from the inside of the appliance to any combustible adjacent wall should not be less than 6". Figure 6

**Ceiling Clearance** — The ceiling or any other combustible material must be at least 36" from the firebox opening. Figure 6

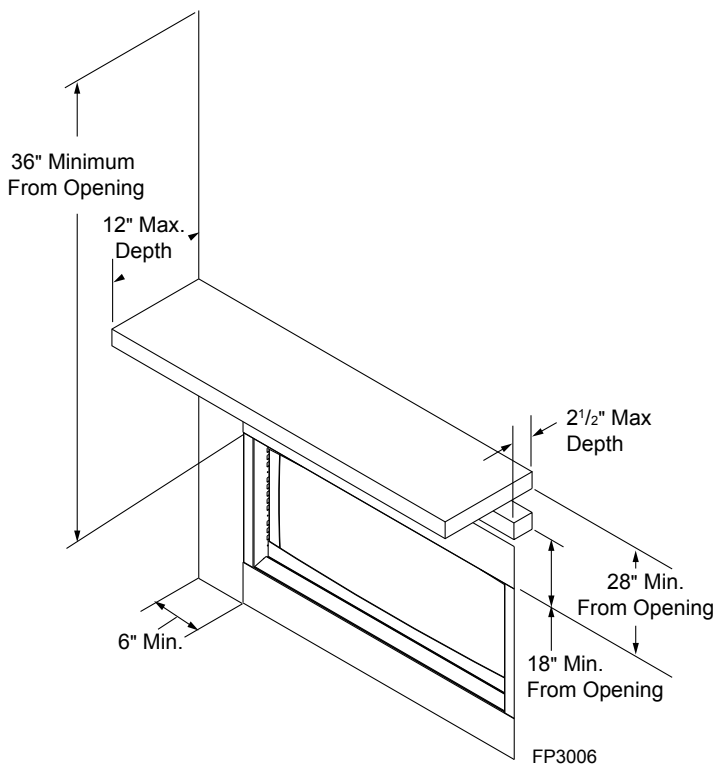


Figure 6. Sidewall and Ceiling Clearances

### ⚠️ WARNING!

The dimensions shown in Figures 5 and 6 are minimum clearances to maintain when installing this heater. Left and right clearances are determined when facing the front of the heater.

Follow these instructions carefully to ensure safe installation. Failure to follow instructions exactly can create a fire hazard.

**Floor Clearance** — The fireplace may be installed directly on a combustible floor or a raised platform of an appropriate height. Do not place fireplace on carpeting, vinyl, tile or other soft floor coverings. It may, however, be placed on flat wood, plywood, particle board or other hard surfaces. Be sure fireplace rests on a solid continuous floor or platform with appropriate framing for support so that no cold air can enter from under the firebox.

**Mantel clearances** — Must meet the clearance requirements detailed in Figures 6 and 7.

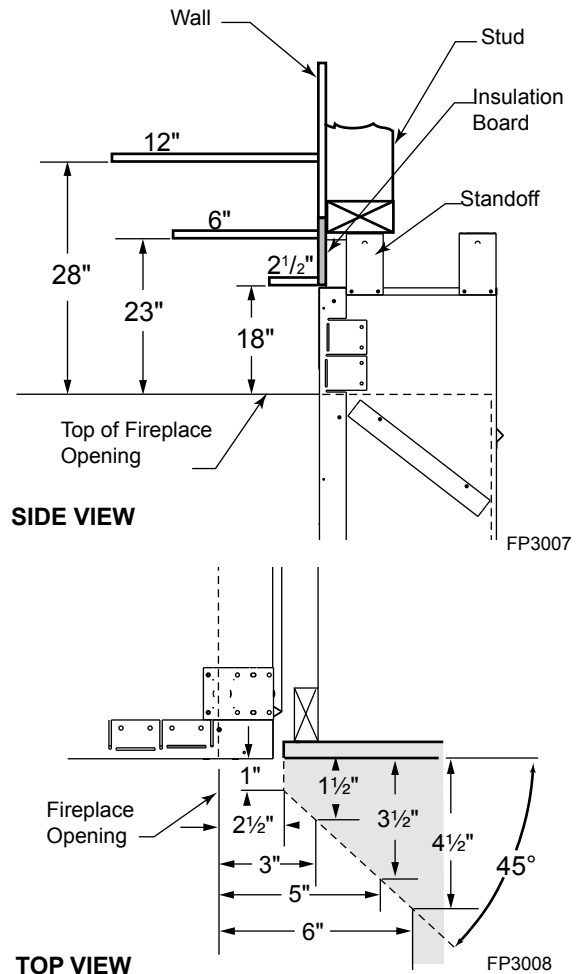


Figure 7. Mantel Clearances

**SECURE FIREPLACE TO FRAMING**

The fireplace must be secured to the framing studs as shown in Figure 8. Use four (4) screws to attach fireplace to framing. The side nailing flanges are 1/2" or 5/8" to accommodate different wall thickness.

**⚠ WARNING!**  
**Never install combustible materials over front face of fireplace.**

**FINISHING MATERIAL**

**NOTE:** Any remote wiring (i.e. remote control, wall switch), must be done prior to final finishing to avoid costly reconstruction.

Only noncombustible materials (i.e. brick, tile, slate, steel, or other materials with a UL fire rating of Zero) may be used to cover the black painted face of the appliance. It is permissible to bring combustible wall board to the top of the standoffs on the top and to the wall board stand-offs on the sides of the unit. A 300°F minimum adhesive may be used to attach facing materials to the black surface. If joints between the finished wall and the fireplace surround are sealed, a 300°F minimum sealant material (General Electric RTV103 or equivalent) must be used.

**NOTE:** Fireplace may be installed on top of framing or platform constructed of combustible materials which do not protrude beyond the face.

**NONCOMBUSTIBLE FACING INSTALLATION**

**CAUTION:** The noncombustible wall board supplied with this unit can be damaged if dropped or struck. Handle with care.

1. Using drywall screws, secure the noncombustible board to the two brackets on top of the unit. **IMPORTANT:** To avoid cracking the board, pre-drill holes prior to securing to the unit/framing.
2. Wipe any debris or dust from the noncombustible board and drywall.
3. It is highly recommended to prime the facing using a quality primer prior to taping and mudding. This will ensure proper adhesion of both the tape and mud. The supplied board is very porous.
4. Tape the seams using a mesh type tape.
5. Mud seams as normal. We recommend using a product called Durabond high strength compound for the first coat. This product can be purchased at any hardware store. Follow manufacturer's recommendations for curing the mud. **NOTE:** Depending upon the final finishing method, use a minimum rated 300 degree sealant, dry-wall compound or thin set to seal the side and top joints.
6. Prime wall for a second time for proper adhesion of paint.

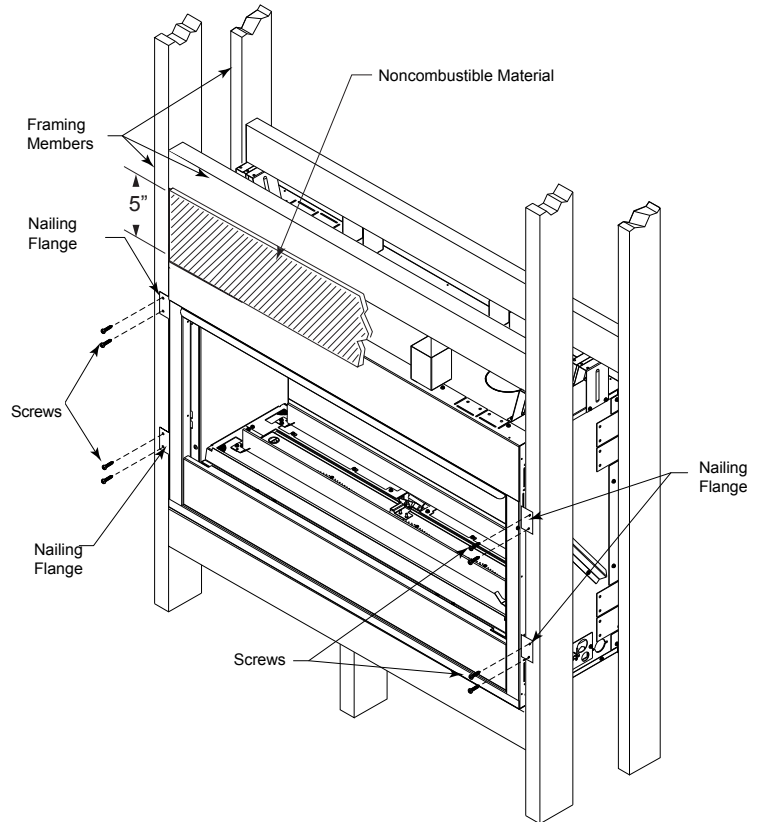


Figure 8. Secure Fireplace to Framing Studs

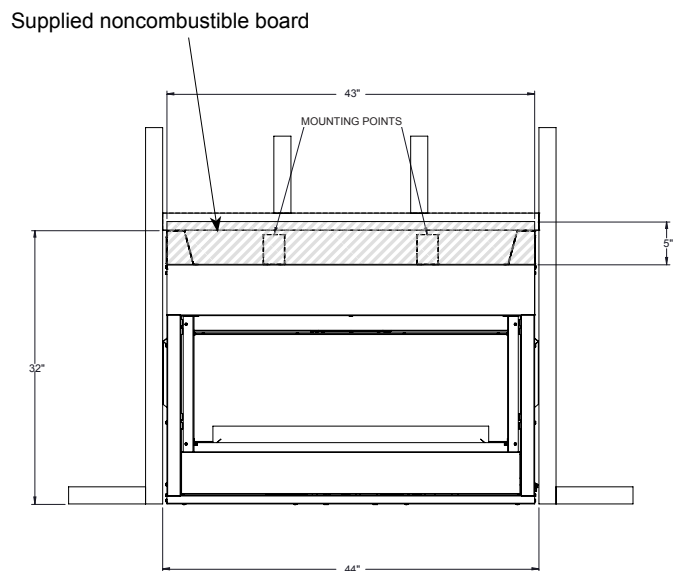


Figure 9. Noncombustible board installation

**CONNECT THE GAS**

**NOTICE:** A qualified gas appliance installer must connect the heater to the gas supply. Consult all local codes.

**WARNING!**  
This appliance is equipped for either natural or propane gas. Field conversion is not permitted.

**WARNING!**  
Use new black iron or steel pipe. Internally tinned copper or copper tubing can be used per National Fuel Code, section 2.6.3, providing gas meets hydrogen sulfide limits, and where permitted by local codes. Gas piping system must be sized to provide minimum inlet pressure (Listed on Data Plate) at the maximum flow rate (BTU/hr). Undue pressure loss will occur if the pipe is too small. A manual shutoff valve must be installed upstream of the appliance. Union tee and plugged 1/8" NPT pressure tapping point should be installed upstream of the appliance. Figure 10  
A sediment trap should be installed upstream to prevent moisture and contaminants from passing through the pipe to appliance controls and burners. Failure to do so could prevent the appliance from operating reliably. Figure 10

**WARNING!**  
**CHECK GAS TYPE:** The gas supply must be the same as stated on the heater's rating plate. If the gas supply is different, **DO NOT INSTALL THE HEATER.** Contact your dealer for the correct model.

**IMPORTANT:** Loosen the pipe adapter on the flex tube before installing to the system piping.

Always use an external regulator for all propane/LPG heaters only, to reduce the supply tank pressure to a maximum of 13" w.c. This is in addition to the internal regulator in the heater valve.

When tightening the joint to the valve, hold the valve securely to prevent movement.

Test all gas joints from the gas meter to the heater valve for leaks using a gas analyzer or soap and water solution after completing connection. **DO NOT USE AN OPEN FLAME.**

**WARNING!**  
Connecting directly to an unregulated propane/LP tank can cause an explosion.

**WARNING!**  
**DO NOT USE OPEN FLAME TO CHECK FOR GAS LEAKS.**

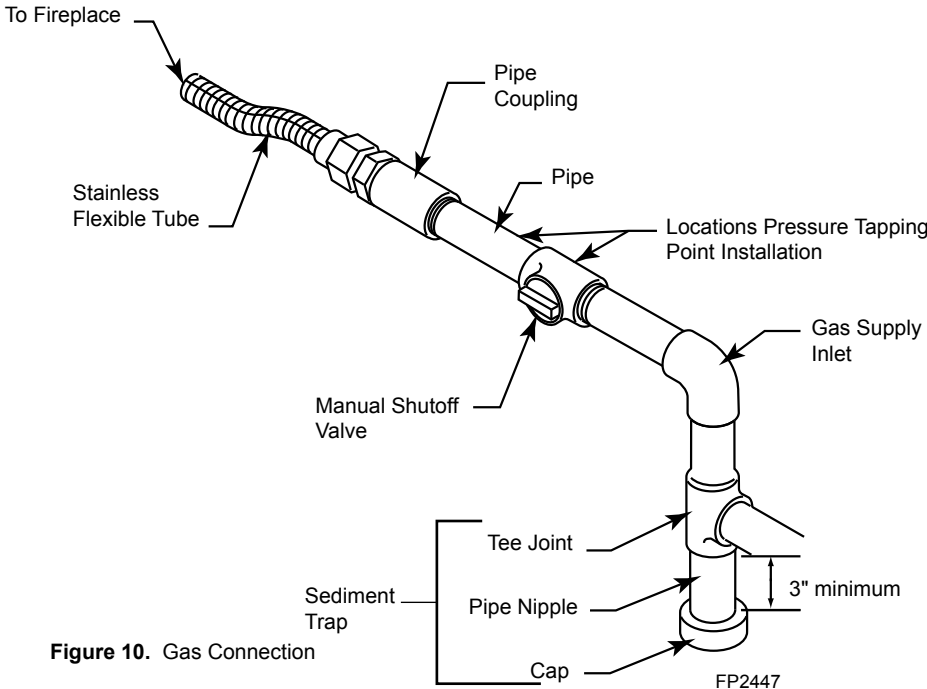


Figure 10. Gas Connection

**CHECK GAS PRESSURE**

Figure 11

Check the gas pressure with the appliance burning and the control set to **HIGH**.

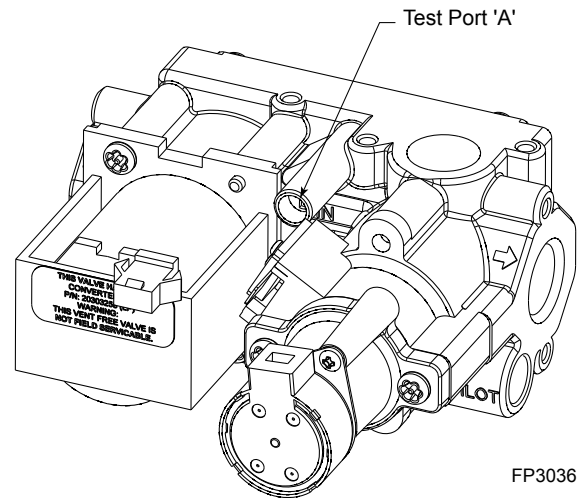
The valve regulator controls the burner pressure which should be checked at the pressure test point.

Open control access door at bottom front of unit to find valve and regulator.

Turn captured screw counterclockwise two or three turns and then place tubing to pressure gauge over test point. Use test point "A" closest to gas inlet. If the pressure is not within the range listed for your gas type turn the valve regulator until it is within range. After taking pressure reading, be sure and turn captured screw clockwise firmly to reseal. Do not over torque. Check for gas leaks.

**GAS PRESSURES**

	NATURAL	PROPANE (LP)
Inlet Minimum	5.0" w.c.	11.0" w.c.
Inlet Maximum	10.5" w.c.	13.0" w.c.
Regulator Pressure Setting	3.5" w.c.	10" w.c.
Pilot Regulator	3.5" w.c.	—



**Figure 11.** Pressure Test Point Location – Signature Command® Valve

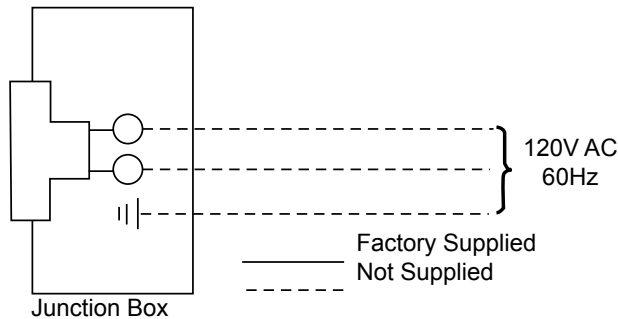
**WIRING JUNCTION BOX**

1. Before installing, wire the receptacle into an electrical circuit. This should be done before framing the fireplace. Wire with minimum 60° C wire in accordance with prevailing codes.
2. Junction box was installed at the factory. Remove the external junction box cover by removing the screw from the right side of the outside firebox wall.
3. The junction box cover has a factory installed “romex” style strain relief connector. After connecting the wires, route the wire leads through this connector.

**⚠️WARNING!**

**Label all wires prior to disconnection when servicing controls. Wiring errors can cause improper and dangerous operation. Verify proper operation after servicing.**

For vent free Signature Command® Systems, the unit will continue to burn during power loss only with batteries installed. Without power, the unit will shut down without batteries installed but can be started with fresh batteries installed in the Command Center.



**Figure 12.** Junction Box Wiring Diagram

**⚠️WARNING!**

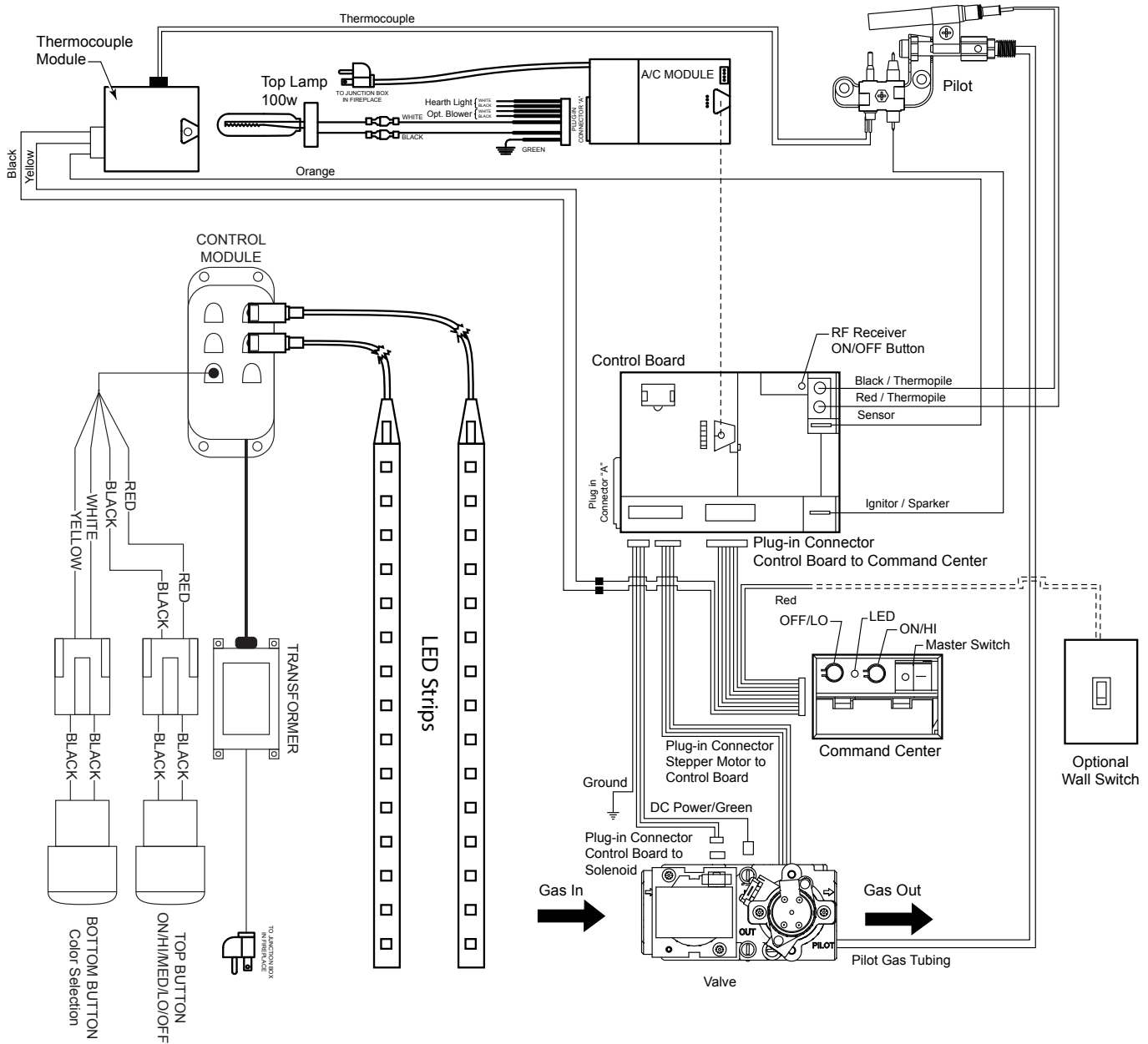
**Electrical connections should only be performed by a qualified licensed electrician. Main power supply must be turned off before connecting to the main electrical power supply or performing service.**

**⚠️WARNING!**

**Electrical Grounding Instructions:**  
**This appliance is equipped with a three-prong (grounding) plug for your protection against shock hazard and should be plugged directly into a properly grounded three prong receptacle.**

**IMPORTANT:** Always check local building codes. This installation must comply with local regulations as well as the National Electric Code.

SIGNATURE COMMAND® WIRING DIAGRAM



**NOTE:** Wall switch wires must be connected together if a wall switch is not being used.

Figure 13. Signature Command® Wiring Diagram

FP3010

### INSTALLATION OF AIR DEFLECTION GLASS

**NOTE:** The 32" deflector glass must be installed prior to placing any fireglass or stone media on the burner. To install the air deflection glass simply place the tabs (located at the bottom of the glass) into the slots at either end of the burner floor, in front of the burner ports. The glass should stand upright, neither leaning forward nor backward. Repeat for the second glass deflector installation.

### FIREGLASS ONLY PLACEMENT

**NOTE:** Two (2) bags of fireglass are supplied with the fireplace. Both bags may be used to cover the entire floor and burner. We advise against using additional fireglass as too much can cut off the proper amount of air the burner needs to burn cleanly. This may cause sooting.

1. Spread fireglass evenly in one layer over the entire floor and burner. It is important to not have the fireglass too thick on ported area (single layer only).
2. Turn burner on and adjust fireglass over ported areas to achieve an even, clean flame.

### GLASS AND OPTIONAL STONE KIT PLACEMENT

1. For best results, spread fireglass evenly over the entire floor and burner making sure the fireglass is not too thick over the burner ports (single layer only).
2. Place the stones randomly in front of and behind the air deflection glass. **CAUTION:** Do not allow stones to sit directly on burner or in flame. Figure 16.
3. Turn burner on and adjust fireglass over the ported area to achieve an even, clean flame. (page 27, Figure 32.)

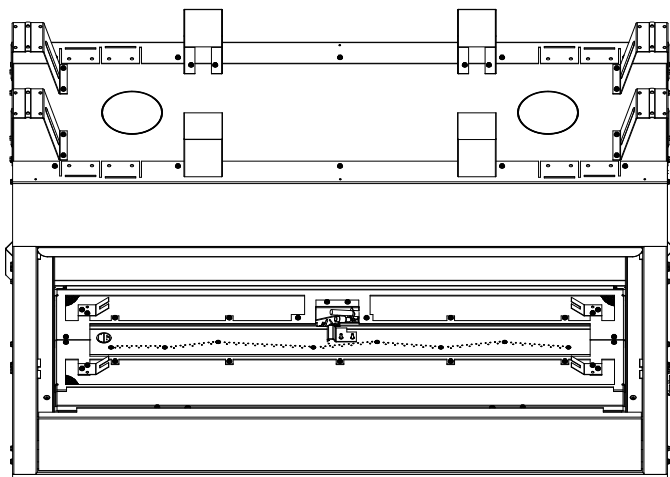


Figure 14. Air Deflection Glass Placement (before)

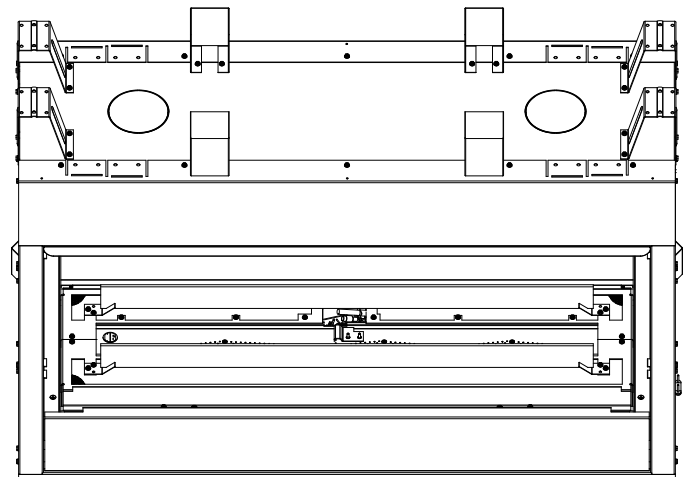
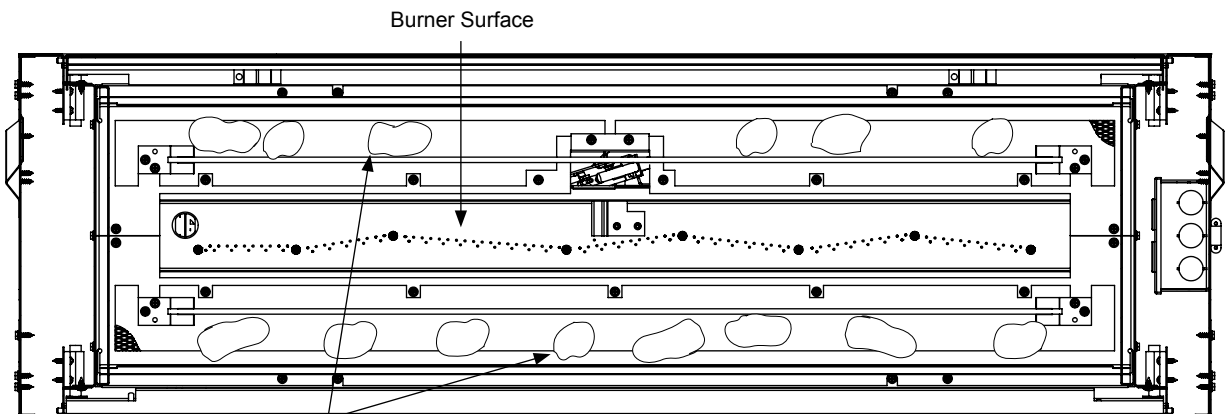


Figure 15. Air Deflection Glass Placement (after)



Examples of Stone Placement

Figure 16. Air Deflection Glass and Stone Placement

**FOR YOUR SAFETY READ BEFORE LIGHTING****⚠️ WARNING!**

**If you do not follow these instructions exactly, a fire or explosion may result causing property damage, personal injury or loss of life.**

- A.** This appliance is equipped with an ignition device which automatically lights the pilot.
- B.** BEFORE OPERATING smell all around the appliance area for gas. Be sure to smell next to the floor because some gas is heavier than air and will settle on the floor.

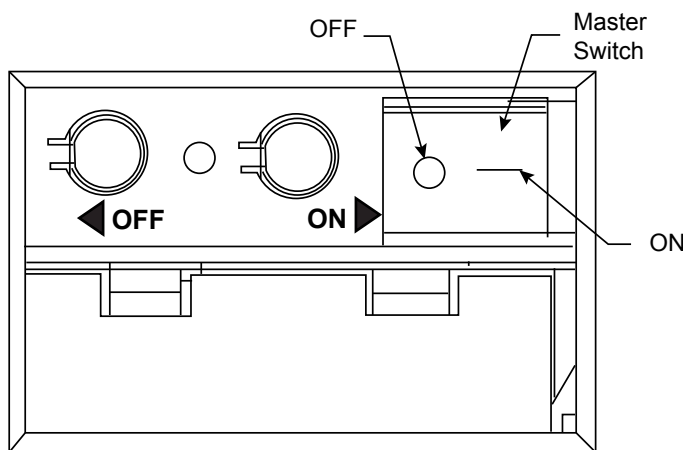
**WHAT TO DO IF YOU SMELL GAS:**

- Do not attempt to light any appliance.
  - Do not touch any electric switch; do not use any phone in your building.
  - Immediately call your gas supplier from a neighbor's phone. Follow the gas supplier's instructions.
  - If you cannot reach your gas supplier, call the fire department.
- C.** Use only your finger to push in the master switch. Never use tools. If the switch will not function by hand, do not try to repair it. Call a qualified service technician. Force or attempted repair may result in a fire or explosion.
- D.** Do not use this appliance if any part of it has been under water. Immediately call a qualified service technician to inspect the appliance and to replace any part of the control system and any gas control that has been under water.

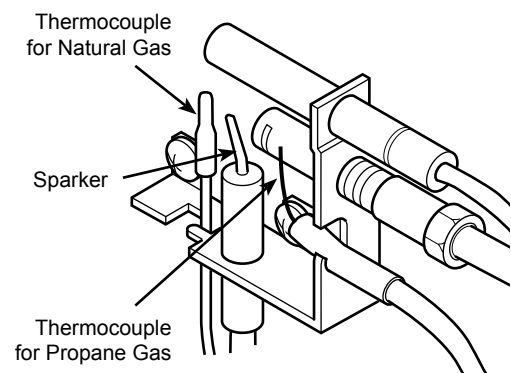


## TURNING ON UNIT

1. **STOP!** Read the safety information on page 16.
2. This appliance is equipped with an ignition device which automatically lights the burner. Do not try to light the burner by hand.
3. Smell for gas, including near the floor. If you smell gas, **STOP!** Follow "B" in the safety information on page 16. If you do not smell gas, go to next step.
4. Press the master switch to the "ON" (-) position. Within eight (8) seconds it will beep once. This indicates the system is ready.
5. Press "ON " button. Sparker will spark and pilot flame will light.
6. Once pilot flame is established, the main burner flame will light automatically.
7. If the pilot will not stay lit after several tries, turn the master switch to "OFF" and call your service technician or gas supplier.



Command Center



Pilot

## TO TURN OFF GAS TO APPLIANCE

1. Turn master switch to "OFF".
2. Turn off all electrical power to the appliance if service is to be performed.
3. Wait five (5) minutes to clear out any gas before attempting to re-light the appliance.

## FEATURES

### Command Center

- Easy Access Function Operation and System Configuration
- Operation Confirmation/Fault Diagnostic Indications (LED/Buzzer)
- ON/OFF/Hi/Med/Low Operation
- Optional Wall Mounting

### Control Board

- Electronic Ignition
- Pilot Lockout safety feature
- Electric Power Regeneration from Thermopile to save battery
- 6-hour Automatic Shut Down Option
- Standing Pilot/Intermittent pilot Conversion
- Previous settings Restoration Ability (Memory Off)
- Uninterrupted Operation During Power Outage (Automatic Battery Backup)
- ON/OFF RF Remote Receiver
- Optional Transmitter Learn Capability

### AC Module (Requires TSFSC Remote)

- Easy Snap-on Design
- Embedded Compact 120 VAC Adapter with Auto Battery Back up Feature
- Remote Controlled 3-step Blower, Lighting, and On/Off Auxiliary AC Outputs

### Transmitter – TSFSC

- Three Flame Height Settings
- Low battery Indication for Transmitter
- Child Proof Lock-out
- LCD Backlight
- Security Codes 16
- Countdown 6 hr Timer
- Standard Thermostatic Control Mode
- Smart Mode® Thermostat (Auto Flame & Blower Modulation)
- Three Brightness Settings for Lights
- On/Off Auxiliary

## BATTERY INSTALLATION

The Command Center uses four (4) "AA" batteries as back up for power outages. The system can operate for approximately six (6) months on battery power.

### To Install Batteries (not included):

1. Press down the battery door tabs and pull out to remove battery door.
2. Install the batteries as indicated on Command Center.

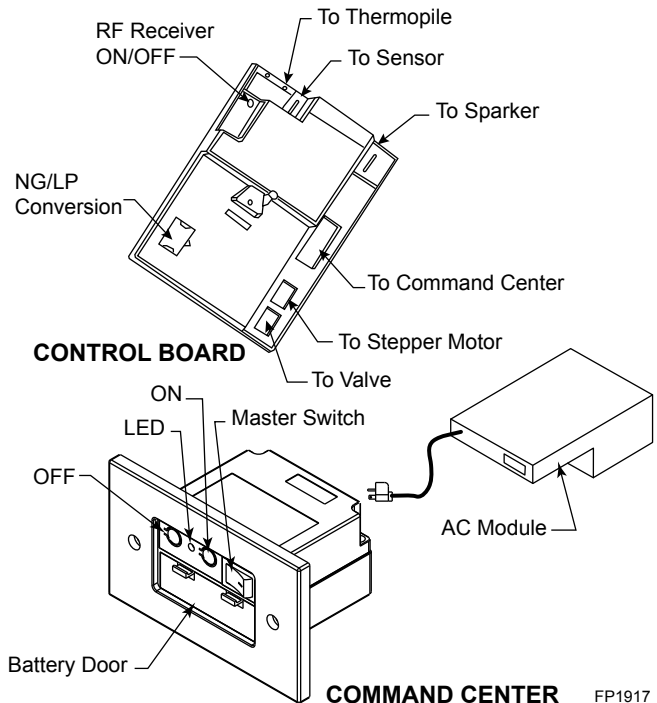


Figure 17. Signature Command® System Components

3. Close battery door by snapping in place.
4. When the four (4) batteries are installed the system will operate without power.
5. The batteries should be replaced when the LED indicates low battery or at least once a year.

## SYSTEM CONFIGURATION/SETUP

All System configuration/setup is done on the Command Center.

**NOTE:** When using On/Off wall switch, the switch must be in the ON position to perform all configuration set ups at the command center.

## COLD CLIMATE OPTION

### Choose the Mode That Best Suits Your Needs

The Signature Command® System is designed to operate in either Standing Pilot or Intermittent Pilot mode.

- The Standing Pilot Mode is best for colder climates when the pilot must remain on continuously to prevent condensation and ensure reliable operation.
- The Intermittent Pilot Mode is ideal for maximum efficiency, igniting the pilot only when needed to start your fireplace, lowering fuel consumption and reducing your carbon footprint.

Either mode benefits from the instantaneous battery back-up, so you never have to worry about a power outage.

**NOTE:** The Signature Command® System comes standard in the Intermittent Pilot mode, so you must follow the instructions below to switch to Standing Pilot Mode if needed.

**Intermittent/Standing Pilot Setup (Default intermittent)**

1. Holding the ON button on the Command Center while turning on the master switch will toggle between standing pilot and intermittent pilot.
2. After the above operation, one beep (for standing pilot) or two beeps (for intermittent pilot) will be given as confirmation.

**Six-hour Safety Shutdown Option (Default ON)**

1. The system comes preset from the factory with a six (6) hour shutdown from its last command of operation. This is done to prevent the fireplace from continuing to operate if unattended. You may disable this feature if you wish.

**NOTE:** By disabling this feature, your fireplace may continue to operate unattended.

2. When the master switch is in the ON position (“-”), pressing the ON button and the OFF button on the Command Center simultaneously will toggle between enabling and disabling the six-hour shutdown option.
3. After the above operation, one beep (for enabling the six-hour shutdown option) or two beeps (for disabling the six-hour shutdown option) will be given as confirmation.

**Remote Transmitter Learn Function (Default OFF)**

1. The RF receiver button located on the Control Board must be in the on position before the learn function can begin. Use paper clip to depress button. One beep for RF receiver ON or two beeps for RF receiver OFF will be given as confirmation. Refer to Figure 17 for location.

2. After the RF receiver is on, holding the OFF button on the Command Center while turning on the master switch will activate the learn function for the transmitter.
3. After the above operation, two beeps will be given and the green LED on the Command Center will flash for 10 seconds.
4. During the 10 seconds, press the OFF button on a transmitter to learn. Another two beeps will be given to confirm a successful learning. Refer to transmitter instructions for remote operations.

**Shutting Off the Standing Pilot (Temporary Shut Off)**

To shut off the standing pilot for service or summer shutdown, press and hold the ON button on the Command Center for 3 seconds when the master switch is in the ON position (“-”) and the main burner is off.

**Note:** Pilot will resume the next time system is turned on.

**Key Combinations for System Settings**

**NOTE:** When On/Off wall switch is used, it must be in the On position to perform all system setups.

**SIGNATURE COMMAND® SYSTEM FUNCTION SETTINGS**

FUNCTION	OPERATION	DEFAULT SETTING
Intermittent/Standing Pilot Setup	Hold the ON ↑ button while turning the master switch (It will beep once for standing pilot, twice for intermittent pilot.)	INTERMITTENT PILOT
Standing Pilot Temperature Shutoff	Hold the ON ↑ button for 3 seconds (when the master switch on the main burner is off.)	
RF Remote Receiver ON/OFF	Push the RF receiver ON/OFF button on the control board. (It will beep once for On and twice for OFF.)	RF OFF
Learn Remote Transmitter	Hold the OFF ↓ button while turning on the master switch (Listen for two beeps, then press any button on the remote.)	
6-Hour Safety Shutdown Setup	Press the ON ↑ button and OFF ↓ button simultaneously (It will beep once for ON, twice for OFF.)	ON

**FUNCTIONS/OPERATION****(from the Command Center)****Turning on the fireplace**

1. Turn on the master switch and wait for a beep.
2. Press the ON button on the Command Center or turn on wall switch. Pilot will light and burner will come on High setting or last memory setting (See Turning Off Fireplace below). For memory feature.

**Pilot Safety Lockout Function**

1. If the pilot doesn't light after sparking for 30 seconds, pilot trial lockout happens. The LED on the Command Center flashes Green once every 2 seconds, until reset.
2. If the pilot flame is lost during normal operation, the system will try three (3) times to relight after three (3) failures, flame loss lockout happens. The LED on the Command Center flashes Red-Green once every 2 seconds, until reset.
3. Turning the master switch on the Command Center to the off position, then ON again will reset the system.

**Flame Height Control**

1. Press the ON button (on the Command Center) once to turn on the main burner with maximum flame height.

2. Press the OFF button to decrease flame height. The first two presses will decrease the flame height to medium and low.
3. The third press on OFF will turn off the main burner. In standing pilot configuration, the pilot will stay; in intermittent pilot configuration, the pilot will be shut off.

**Turning the Off Fireplace**

There are three ways to turn off the fireplace.

1. Flip the master switch to the off ("O") position. (This will turn the entire system OFF.)
2. Press the OFF button to Medium, Low, then Off.
3. Hold the OFF button anytime for three seconds or by turning off the wall switch. These two commands of OFF are (Memory Off) the system will remember all last settings before turning off. The next time the fireplace is turned on, all settings will resume. To reset, change to the desired settings and shut off by using the Memory Off commands and the system will be reset to those new settings.

**NOTE:** After turning off there may be up to a two (2) minute delay before the burner can be re-lit. There will be three (3) red flashes if the on button is pressed before the safety control is automatically reset.

**COMMAND CENTER OPERATIONS:**

The following functions are available on the Command Center.

FUNCTION	OPERATION
Power Up	Flip the master switch to ON ("_") position to power up the system.
Fireplace ON	Press the ON ↑ button on the Command Center or turn on wall switch.
Fireplace OFF	Flip the master switch to the OFF ("o") position OR press the OFF ↓ button 3 times OR for Memory Off, hold the OFF ↓ button 3 seconds, or turn off wall switch.
Flame Height Up	Press the ON button once to turn on the fireplace with maximum flame height.
Flame Height Down	Press the OFF button to lower the flame height to Medium and Low.

**SELF DIAGNOSTICS CHART:**

The Command Center has a self-diagnostic LED enabling you to troubleshoot problems and potentially avoid a service call. Please refer to the chart below for indicator reference.

FAULT	LED INDICATOR
Conversion Cover Missing	One RED (1 time)
Spark Fail	Two RED (1 time)
No Sensor Signal	Three RED (1 time)
Pilot Lockout – trial	One GREEN, every 2 seconds until manual reset
Pilot Lockout – flame loss	One RED-GREEN every 2 seconds until manual reset
Low Battery	One RED every 10 seconds continuously
No or Low Thermopile Power	Two RED every 10 seconds continuously
Learning	GREEN flashes every 1 second for 10 seconds
AC Power On	GREEN solid
Pressure Switch Failed (Power Vent only)	One RED every 2 seconds until manual reset

**NOTE:** Due to the sensitive temperature monitoring components in the transmitter, it is necessary to allow the transmitter to stabilize to room temperature before accurate room temperatures are displayed. If the transmitter is activated from a severe cold condition, allow 15 minutes for accurate temperature readings to appear on the LCD display.

**⚠️ WARNING!!**

**Turn appliance OFF (at the Master Switch) if you are away from your house for an extended period of time. Never leave anything on top of the surface of the transmitter.**

■ Function Areas of the LCD Display

Figure 18 shows the display of the TSFSC LCD.

**Information Bar**

The information bar shows the room temperature, the “sending signal” radio icon, the low battery indication icon, the child-proof icon, and the flame icon. This area doesn’t have touch buttons.

- The room temperature will always be shown after power-up. It displays the room temperature from 40 °F to 99 °F. “Lo” and “Hi” will be displayed when the room temperature is lower than 40°F or higher than 99°F, respectively.
- The radio icon will be shown when the transmitter is sending a signal.
- The low battery indication icon will be shown when the battery voltage is low.
- The child-proof icon will be shown when the child-proof mode is activated.
- The flame icon indicates the current flame height – Off, Low, Medium and High

**Touch Area**

The touch area contains all touch buttons to control the transmitter. It consists of two categories: menus and adjustment arrows. The blue LED backlight lights up for 8 seconds when any of the touch buttons is pressed.

- The menus include TIMER, THERMO, LIGHT and AUX.
- The adjustment arrows include ON/up and OFF/down. Their default function is to adjust the flame height. When a button from the menu is pressed, the ON/up and OFF/down buttons will temporarily become adjustment controls for the selected item. When the adjustment is done, the ON/up and OFF/down buttons go back to flame height controller again.

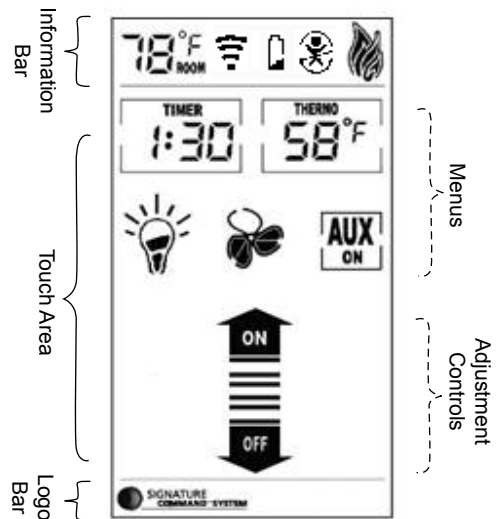


Figure 18. Function Areas of the LCD Display

**Logo Bar**

The Logo Bar contains the brand logo: Signature Command® System.

■ Initialization and Setting up

**Installing Batteries:**

Figure 19

The remote transmitter has two battery compartments, one on each end of the transmitter. **Always change all four (4) batteries at the same time.**

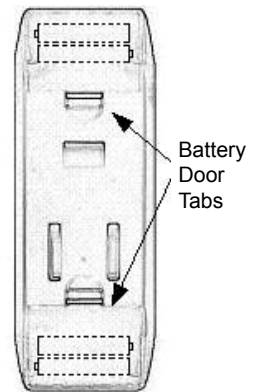


Figure 19.

To install batteries,

1. Press down the battery door tab and pull out to remove the battery door.
2. Install the batteries as indicated inside the battery compartments.
3. Close the battery door by snapping in place.
4. When all **four** batteries are installed, the transmitter will initialize for 5 seconds and then is ready for use.
5. The batteries should be replaced every 12 months or when the low battery icon indicator is displayed.

**Changing Temperature Unit**

When batteries are installed in the transmitter,

1. All available icons on the LCD will be turned on then be cleared.
2. The LCD will display temperature unit: °F. Use ON Δ to toggle the units between °F and °C within the first 5 seconds.
3. The transmitter enters Manual Mode
4. The LCD displays room temperature with the chosen unit.

**Setting Privacy Code on Transmitter:**

Figure 20

The remote transmitter privacy code is preset in factory. In the event of activation or interference from other nearby transmissions, change the code using the following procedures (learn function must be performed after changing the code):

1. Press the ON/arrow button and the TIMER button at the same time to enter privacy code setup models.
2. The setup display is shown in the figure. The four digits on the top stand for the privacy code. The default values of the four digits will be all "0."
3. The first digit will be flashing upon entering the setup mode. Push the ON button to toggle its value between "0" and "9," and push the "OFF" button to jump to the next digit. The next digit will then start flashing and the first one stops flashing. Set up the four digits to your choice between "0" and "9."
4. After setting up all the four digits, push "OFF" to finish the process and return to the previous mode.
5. The Signature Command® control board then needs to re-learn the new setting.

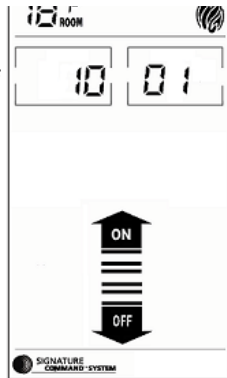


Figure 20.

**Performing Learn Function**

1. The RF receiver button on the control board in the fireplace must be in the on position before the learn function can begin. Figure 21 With the Command Center master switch in the ON position, use paper clip to depress the recessed button on Control Board, one beep for RF receiver ON or two beeps for RF receiver OFF.
2. Holding the OFF button on the Command Center while turning on the master switch will activate the learn function for the transmitter.
3. After the above operation, two beeps will sound and the green LED on the Command Center will flash for 10 seconds.
4. During the 10 seconds, press the OFF button on the transmitter to learn. Another two beeps will be sound confirming a successful learn function.

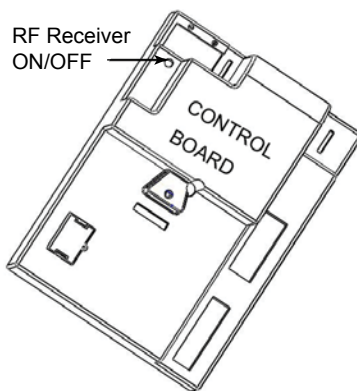


Figure 21.

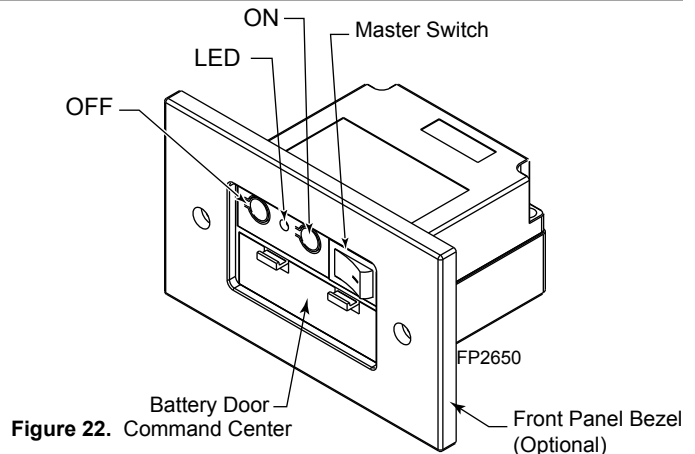


Figure 22. Command Center

**WARNING!**

**Do not use two (2) or more remote control systems in the same area with the same privacy code setting, as they will communicate with each other. This may cause the appliances to malfunction.**

**Resetting the transmitter**

If the transmitter is not working properly, reinstall the batteries to reset the transmitter.

1. Pull out at least one of the batteries.
2. Press any key on the screen to discharge.
3. Wait for 10 seconds and reinstall the batteries.

Pushing and holding any key for more than 10 seconds until the display refreshes will also reset the transmitter.

**Functions and Operations****General:**

The TSFSC Remote Control has four(4) operating modes: Manual, Timer, Thermostatic and Smart Mode. The control system can be set to temperature range between 45° F and 90° F. The flame height can be adjusted in the manual, timer and thermostatic mode. The Smart Mode will automatically adjust flame height according to the difference between Set and Room temperatures.

The transmitter will operate the remote receiver from 1 foot to a maximum of 30 feet. The distance is reduced when batteries are low.

**Manual Mode**

Figure 23

In this mode, the TIMER button and the THERMO button will only display "TIMER" and "THERMO," respectively without showing the time and the SET temperature. Pressing the ON/up and OFF/down buttons will change the flame height if none of the menu buttons (TIMER, THERMO, LIGHT, AUX) are pressed and flashing.

1. Press the ON/up button to turn on the fireplace. The flame icon on the LCD displays High.

2. Press the OFF/down button to decrease the flame height and turn off the fireplace. When the OFF/down button is pressed for three times, the flame icon changes from High to Medium, to Low, then to Off.
3. If the OFF button is held for more than 3 seconds at any flame height, the fireplace will be turned off and the flame icon disappears.
4. Sliding up and down on the arrow buttons can also turn on or turn off the fireplace.
5. If the fireplace is shut off using the above methods in 3 and 4, all the settings will be remembered and will be resumed next time the fireplace is turned on (Memory Off).

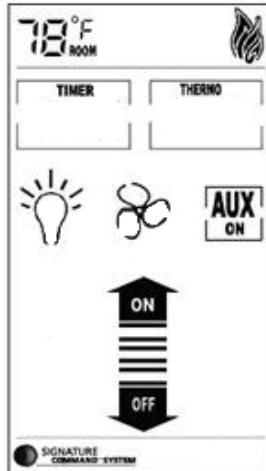


Figure 23.

**Timer Mode**

Figure 24

Press the TIMER button to enter timer mode. The fireplace will stay on for a period of time as specified by the timer and then be shut off by the transmitter when the timer counts down to zero.

1. When the TIMER button is pressed, the Set Time appears in the frame of the button and flashes.
2. Use ON/up and OFF/down to increase or decrease the Set Time in 15 min. increments, between 0:00 to 6:00. Sliding up and down on the arrow buttons will increase or decrease the Set Time in 1 hour increments.
3. Push the TIMER button again to confirm the Set Time, the transmitter sends an ON signal to turn on the fireplace.
4. The flashing stops and the ON/up and OFF/down buttons become flame height controller again. The flame height will then stay as set up by the ON/up and OFF/down buttons.
5. The TIMER button can be used when the transmitter is in Manual Mode or in Thermostat Mode. In both modes, the fireplace will be shut down completely when the timer counts down to zero.

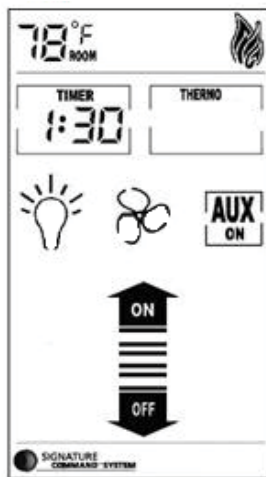


Figure 24.

6. To exit Timer Mode:
  - a. Push and hold the TIMER button for 3 seconds or
  - b. Use the OFF/down buttons to decrease the Set Time to zero or
  - c. Slide down on the arrow buttons to exit TIMER mode and shut off the fireplace.

**Thermostat Mode**

Figure 25

Press the THERMO button to set the transmitter in thermostat mode. The transmitter will automatically turn on the fireplace when the room temperature is below the set temperature and turn off the appliance when the room temperature is above the set temperature within one degree.

1. When the THERMO button is pressed, the Set temperature appears in the frame of the button and flashes.
2. Use ON/up and OFF/down to increase or decrease the Set temperature in 1 degree increments, between 45 degrees and 90 degrees. Sliding up and down on the arrow buttons will increase or decrease the Set Temperature in 10 degrees increments.
3. Press the THERMO button again to confirm the Set Temperature. The transmitter will send out an On signal or an Off signal depending on the relationship between the Set temperature and the Room temperature.
4. The flashing stops and the ON/up and OFF/down buttons become flame height controller again. The flame height will then stay as set up by the ON/up and OFF/down buttons.
5. To exit Thermostat Mode:
  - a. Push and hold the THERMO buttons for 3 seconds or
  - b. Slide down on the arrow buttons to exit Thermostat mode and shut off the fireplace.

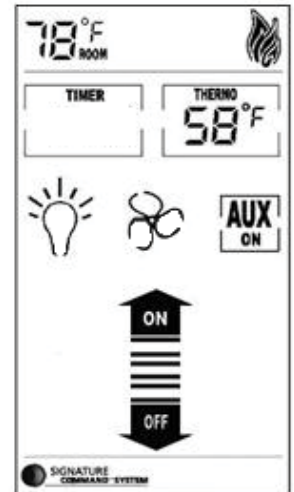


Figure 25.

**Smart Mode Option for Thermostat Mode**

Figure 26

Press and hold the THERMO button and the ON/UP button at the same time for 3 seconds to toggle between Smart Mode and the regular Thermostat Mode. The icon "Smart Mode" will appear under the Set Temperature. The transmitter will automatically adjust the flame height according to the difference between the Set temperature and the Room temperature. There is no manual flame height adjustment.

**NOTE:** There will be a ten(10) second delay for the flame adjustment when the fireplace is turned on.

1. When Set Temp. is 3° F or higher than Room Temp., flame height will be on High.
  2. When Set Temp. is 2° F higher than Room Temp., flame height will be on Medium.
  3. When Set Temp. is 1° F higher than Room Temp., flame height will be on Low.
  4. When Set Temp. is equal to Room Temp., flame height does not change (stays on low).
  5. When Set Temp. is lower than Room Temp., the fireplace will be shut off.
  6. When Set Temp. is 1° F higher than Room Temp., again the flame height will be on Low.
- To exit Smart Mode and shut off the fireplace;
- a. Press the OFF button,
  - or
  - b. Press and hold the THERMO buttons for 3 seconds
  - or
  - c. Slide down on the arrow buttons.

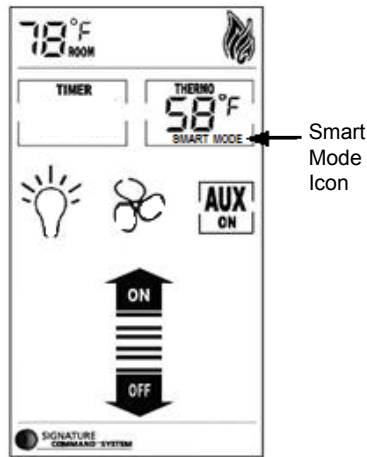


Figure 26.

To shut off the Smart Mode option and return to regular thermostat mode, press and hold the THERMO button and the ON/UP button at the same time for 3 seconds again.

### Top Light Brightness Control

Figure 27

The top light brightness control function is used to adjust the brightness of the top light bulb connected to the AC module on the Signature Command® System. There are four light brightness levels defined: Off, Low, Medium, High

1. Press the LIGHT button to enter the light brightness control mode. The LIGHT icon will start flashing.
2. Press the On/up and OFF/down buttons to increase/decrease the light brightness (Off-Low-Medium-High).

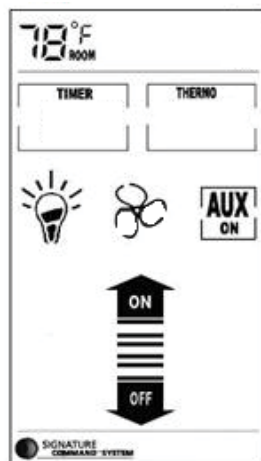


Figure 27.

3. Press the light button again to confirm the setting. The new setting will be transmitted to the receiver.
4. After the signal is sent, the On/up and Off/down buttons become flame height controller again.
5. When the light button is flashing, slide up and down on the arrow buttons will turn the light brightness to HIGH or Off directly without pressing the light button again to confirm.

### AUX Control

The AUX control function is used to turn on or turn off the overhead light connected to the AC module of the Signature Command® System. Press the AUX button to turn on or turn off the overhead light.



1. When the auxiliary is turned on, the icon will become solid text and the "ON" icon will appear below the "AUX" icon.
2. When the auxiliary is turned off, the icon will become hollow text and the "ON" icon will disappear.

**NOTE:** Some fireplaces use the AUX function to control options within the fireplace.

### Setting up Blank Screen or Constant Display in Idle

Figure 28

There is an option to set up how the LCD displays and functions when the transmitter is in idle. There are two choices:

1. A) Mode. When the transmitter is in idle, the icons in the "touch area" (timer, thermostat, blower, light and AUX) will disappear, as shown in the figure on the left. When any of the touch buttons is pressed, those icons will appear and are ready to operate (default).
2. B) Mode. The transmitter always displays all available icons showing current status of timer, thermostat, blower, light and AUX as shown in the figure on the right.



Figure 28.

Press TIMER and THERMO buttons at the same time for 3 seconds to toggle between A) and B).

1. When the current setting is A), touch any place in the touch area to bring up the icons then press TIMER button and THERMO button at the same time for 3 seconds. The backlight will flash once to indicate that the setting has changed to B).



2. When the current setting is B), pressing TIMER button and THERMO button at the same time for 3 seconds will switch to A) Mode. The touch area icons will disappear.

**■ Safety Features**

1. Low Battery Detection

When low battery condition occurs, the transmitter will turn off the fireplace.



- A) Battery voltage is checked every one minute. When the battery voltage is low, the LCD displays a low battery icon which will exist in all modes.
- B) The transmitter will not operate with low battery voltage. Change the batteries before the batteries become too weak for normal operations.

2. Power On Initialization

After the power-on initialization, the transmitter sends a signal to turn off the fireplace.

3. Thermal Shutdown

When the ambient temperature is more than 99°F, the transmitter will turn off the fireplace.

- A) The LCD will display "HI."
- B) The Transmitter will not function until the room temperature has dropped below 99 degree Fahrenheit.



4. Low Temperature Condition

When the ambient temperature is less than 40 degrees Fahrenheit, the LCD will display "LO," and NO SIGNAL will be sent to turn on the appliance.



All functions still remain the same for both Manual Mode and Thermostat Mode.

5. Child-proof Protection

The child-proof icon will be shown when the child-proof mode is activated by pressing the ON button and the OFF button at the same time for three seconds.



- A) Enter childproof mode by pressing and holding both the ON button and the OFF button simultaneously for 3 seconds. The Childproof indicator will be shown on the LCD.
- B) Deactivate childproof mode by pressing and holding the ON button and the OFF button simultaneously for 3 seconds again. The Childproof indicator disappears on the LCD.
- C) The transmitter cannot be operated in childproof mode.

**■ Using the Mounting Base**

The transmitter comes with a mounting base which allows you to hang the transmitter on the wall.

1. Secure the mounting base on the wall with supplied screws. For best viewing angle, make it the same height as your eyes.
2. Hang the transmitter on the hook of the mounting base, then push down so the transmitter is flush to the mounting base.

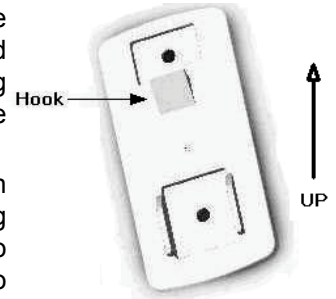


Figure 29.

**TROUBLESHOOTING**

<b>Symptom</b>	<b>Causes</b>	<b>Action</b>
Battery icon on LCD or transmitter. LCD display is blank. LCD display shows "funny" display.	Low battery	Reset the transmitter (see "Resetting the transmitter" on page 22). Check battery installation. Replace batteries. Batteries should be changed every six (6) months.
Appliance does not come on.	The transmitter did not sync with the receiver	Make sure the transmitter has synced to the receiver. (There will be two audible beeps when the transmitter is synced to the receiver.)
	Transmitter measures temperatures exceeding 99° F and shows "HI" on LCD display	Move transmitter to a cooler place and wait until temperature drops below 99° F.
	Distance between the transmitter and receiver is more than 30 feet	Make sure the opening distance is less than 30 feet.

### FLAME APPEARANCE

Flames from the pilot, front and rear burner should be visually checked as soon as the heater is installed. In addition, periodically check the flames visually during operation.

### CHECK THE PILOT FLAME

The pilot flame must always be present when the heater is in operation. It should just touch the top of the thermocouple tip for natural gas. Refer to Figure 30 for correct pilot flame.

If the pilot flame does not touch the thermocouple, then the main burner cannot function reliably. Refer to Figure 31 for incorrect shape of pilot flame.

### CHECK THE BURNER FLAME

In normal operation, at full rate after 15 minutes, the flames should appear as shown in Figure 32

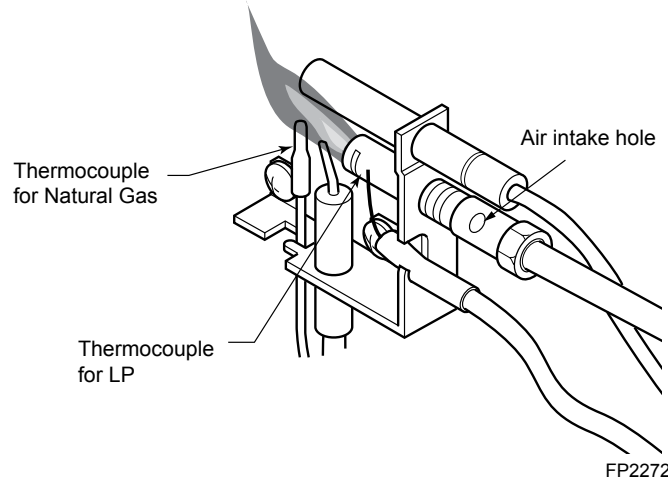


Figure 30. Correct ODS Pilot Flame Appearance

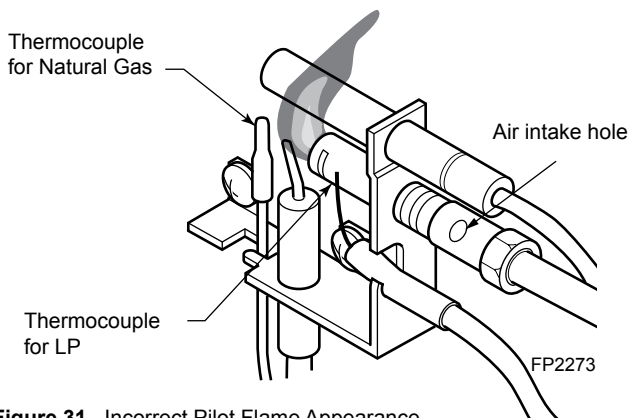


Figure 31. Incorrect Pilot Flame Appearance



Figure 32. AVFLST42 Burner Flame Appearance (Shown with fireglass only)

### LED CONTROL

– Multi-colored LED lights — Two buttons turn LEDs On (Hi/Med/Lo) and Off and cycles through the color selection.

– Color selection options — Using the color selection button, you can choose from ten (10) different lighting options.

1. Color fade – This selection will cycle through the range of colors listed below.
2. Color fade (slow) – This selection is the same as the previous selection; only at a slower rate.
3. Pause color – This selection will allow the user to choose a custom color through the hues of colors of the slow fade.
  - Blue
  - Violet
  - Red
  - Yellow
  - Green
  - Cyan
  - White
4. Pushing the color selection button again cycles back to the first color fade selection.

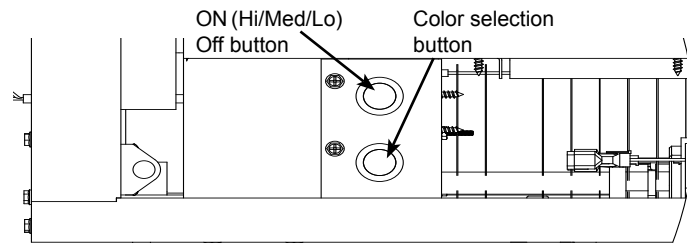


Figure 33. LED Controls

**CLEANING AND SERVICING**

Annual inspection and cleaning by your dealer or qualified service technician is recommended to prevent malfunction and/or sooting.

**⚠ WARNING!**

Turn off heater and allow to cool before cleaning. Disconnect electrical power before cleaning or servicing.

Remove fireglass and/or stones as applicable.

**PERIODIC CLEANING – Refer to parts diagram for location of items discussed below.**

- Do not use cleaning fluid to clean any part of heater.
- Brush stones with soft bristle brush or vacuum with brush attachment.
- Remove glass media and rinse with clean water. Spread media out on paper towel or equivalent and allow to dry completely.
- Vacuum loose particles and dust from the burner, controls.
- Inspect and clean burner air intake holes. Remove lint or particles with vacuum, brush, or pipe cleaners. **Failure to keep air intake holes clean will result in sooting and poor combustion.**
- The fireplace face should be dusted and wiped with a wet soapy cloth.

**ANNUAL CLEANING/INSPECTION – Refer to parts diagram for location of items discussed below.**

- Inspect and clean burner air intake holes. Remove lint or particles with vacuum, brush or pipe cleaners. Failure to keep air intake holes clean will result in sooting and poor combustion.
- Inspect and clean all burner ports.
- Inspect ODS pilot for operation and accumulation of lint at air intake holes. (Figure 30)
- Verify flame pattern for proper operation.
- Verify smooth and responsive ignition of main burner and rear burner.
- Replace battery in remote control device.

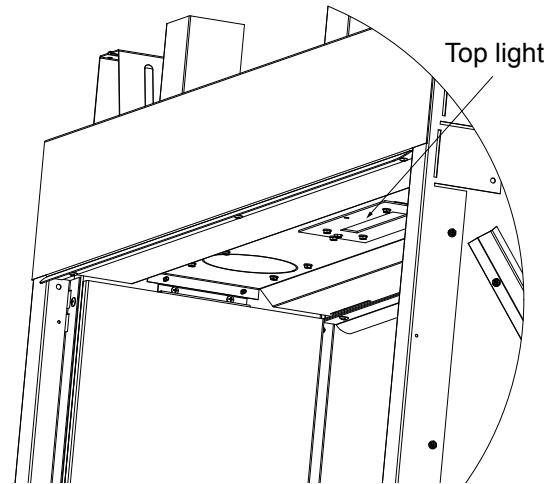


Figure 34. Top Light Position; Porcelain Panel Screw Location

**REPLACING TOP LIGHT BULB**

**TOP LIGHT BULB INSTALLATION**

1. Remove three screws holding light cover in place (as shown in Figure 35.)
2. Insert (1) 100W bulb provided into socket.
3. Replace top light cover with three screws.

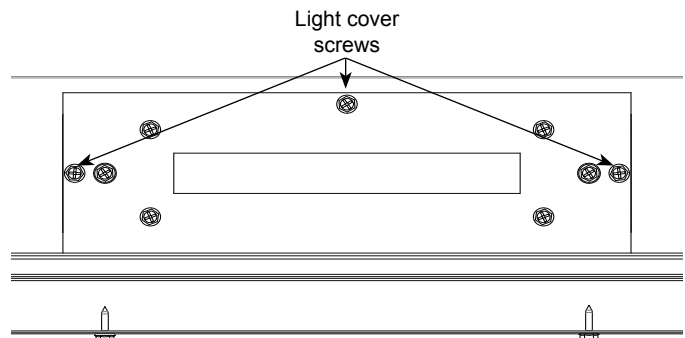


Figure 35. Top Light Screws

**REPLACING LED STRIPS**

1. Remove two air deflection glass pieces.
2. Remove glass media from hearth and burner area.
3. Remove nineteen (19) screws holding front and rear hearth. Remove both and set aside. See Figure 39.

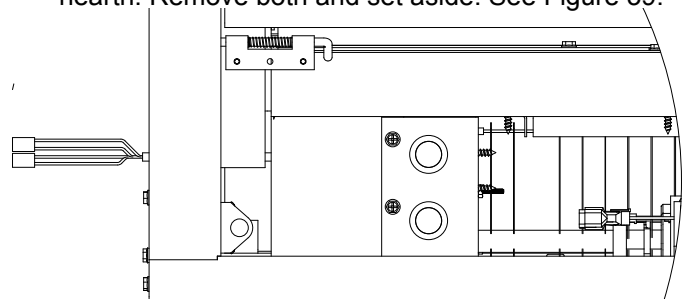


Figure 36. LED control assembly screws

4. Remove two screws holding LED control assembly in place. See Figure 36. Turn flat and pull forward.
5. Remove the two black LED connectors.
6. From inside unit, start at one end of the strip and begin to peel from base.
7. Repeat with second strip.
8. Peel paper from adhesive back on new LED strip and place in track. Feed wire through hole on left end of unit.
9. Reconnect strips to control module and replace control module with two screws.
10. Reinstall front and rear hearth with nineteen (19) screws.
11. Install two (2) air deflection glass panels and glass media.

**PORCELAIN PANEL REMOVAL**

1. Remove two (2) air deflection glass panels.
2. Remove glass media from hearth and burner area.
3. Remove two (2) screws holding top of panel in place. See Figure 37
4. Remove single retainer clip at base of panel. See Figure 38
5. Tilt panel out from top and remove.
6. To reinstall panel, insert at an angle with bottom first. Tilt top in aligning holes at top and install two retainer screws.
7. install retainer bracket at base.

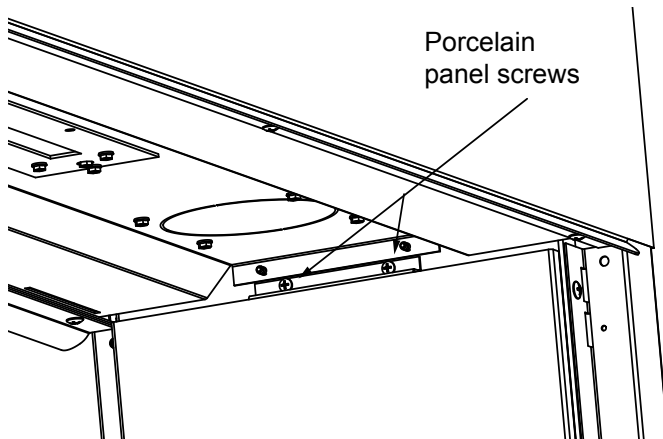


Figure 37. Porcelain Panel Screw Location

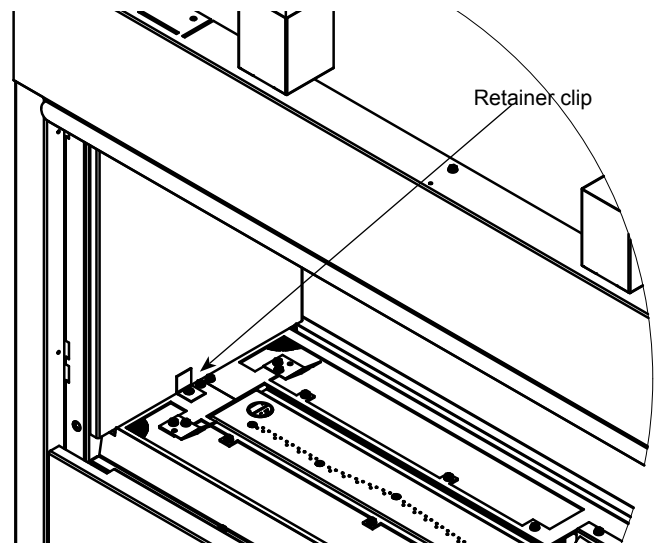


Figure 38. Porcelain Panel Retainer Clip Location

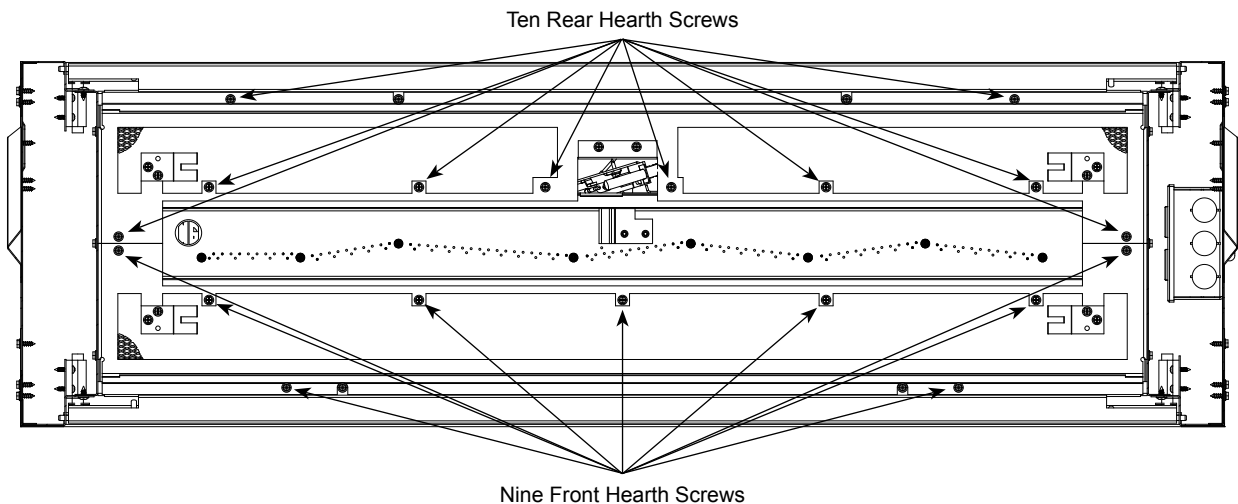


Figure 39. Hearth Screw Locations

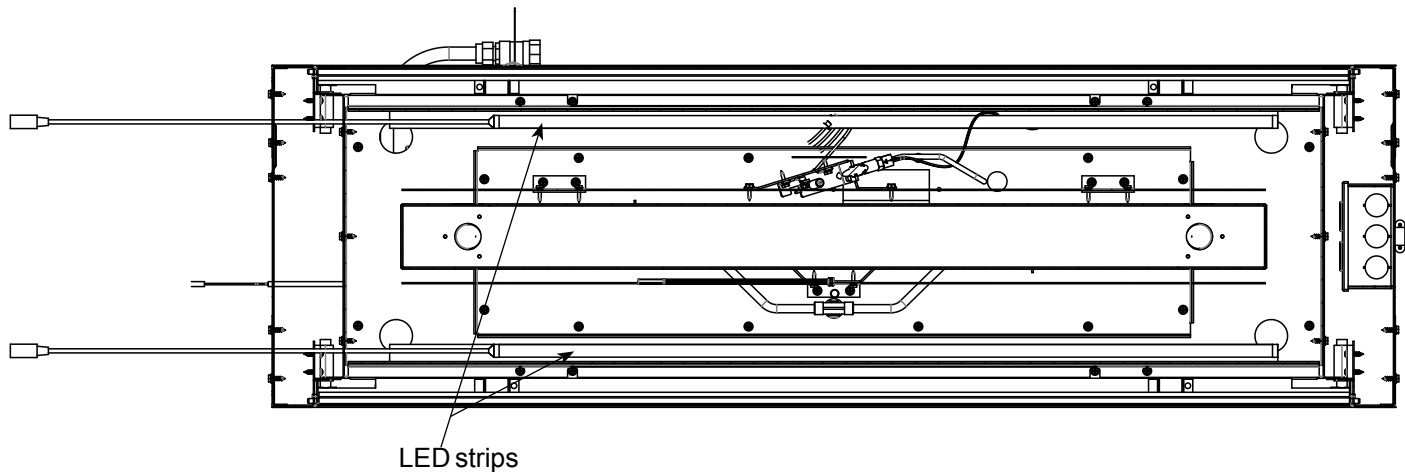


Figure 40. LED strip location

**OPERATING INFORMATION**

**Avoid any drafts that alter burner flame patterns.** Do not allow fans to blow directly into the fireplace. Do not place a blower inside the burn area of the firebox. Ceiling fans may create drafts that alter flame patterns. Sooting and improper burning will result.

During manufacturing, fabricating and shipping, various components of this appliance are treated with certain oils, films, or bonding agents. These chemicals are not harmful, but may produce annoying smoke and smells as they are burned off during the initial operation of the appliance possibly causing headaches or eye or lung irritation. *This is a normal and temporary occurrence.*

The initial break-in operation should last two to three hours with the burner at the highest setting. Provide maximum ventilation by opening windows or doors to allow odors to dissipate. Any odors remaining after this initial break-in period will be slight and will disappear with continued use.

This appliance must not be used with glass doors.

**OPTIONAL ACCESSORIES**

There are a wide range of optional accessories available for the AVFL Vent Free Fireplace. A variety of face and trim kits can change the appearance of the fireplace while the rope lighting kit can add ambience and light, whether the unit is on or off. The outdoor kit brings the outdoors inside while the heat management kit carries warmth to the outdoors.

Choose the stylish rustic stone kit or go minimalist with just a coating of crushed glass and transform the fireplace to suit your space.

**NOTE:** Rope lighting kits can only be installed on the wide contemporary faces listed below.

**Faces and Trim Kits**

Wide Contemporary Textured Black Face	AVFL42WFBT
Wide Contemporary Stainless Steel Face	AVFL42WCSS
Black Textured Inside Fit Trim Kit	AVFL42TKI

**Rope Lighting Kit**

(requires wide contemporary face) AVFL42RLK

**Stone Kit**

SKAVFL42

**Glass Kits**

Glass Kit Bronze	GKB
Glass Kit Diamond	GKD
Glass Kit Onyx	GKO
Glass Kit Sapphire	GKS

**Outdoor Kit**

AVFLSTSSODK

**Heat Management Kit**

HMK

**SCS Wall Extension Kit**

SCSWEK

(15' wire, rough-in box, wall cover)

**⚠ WARNING!**

- Turn appliance OFF and allow to cool before servicing.
- Only a qualified service person should service and repair the heater.

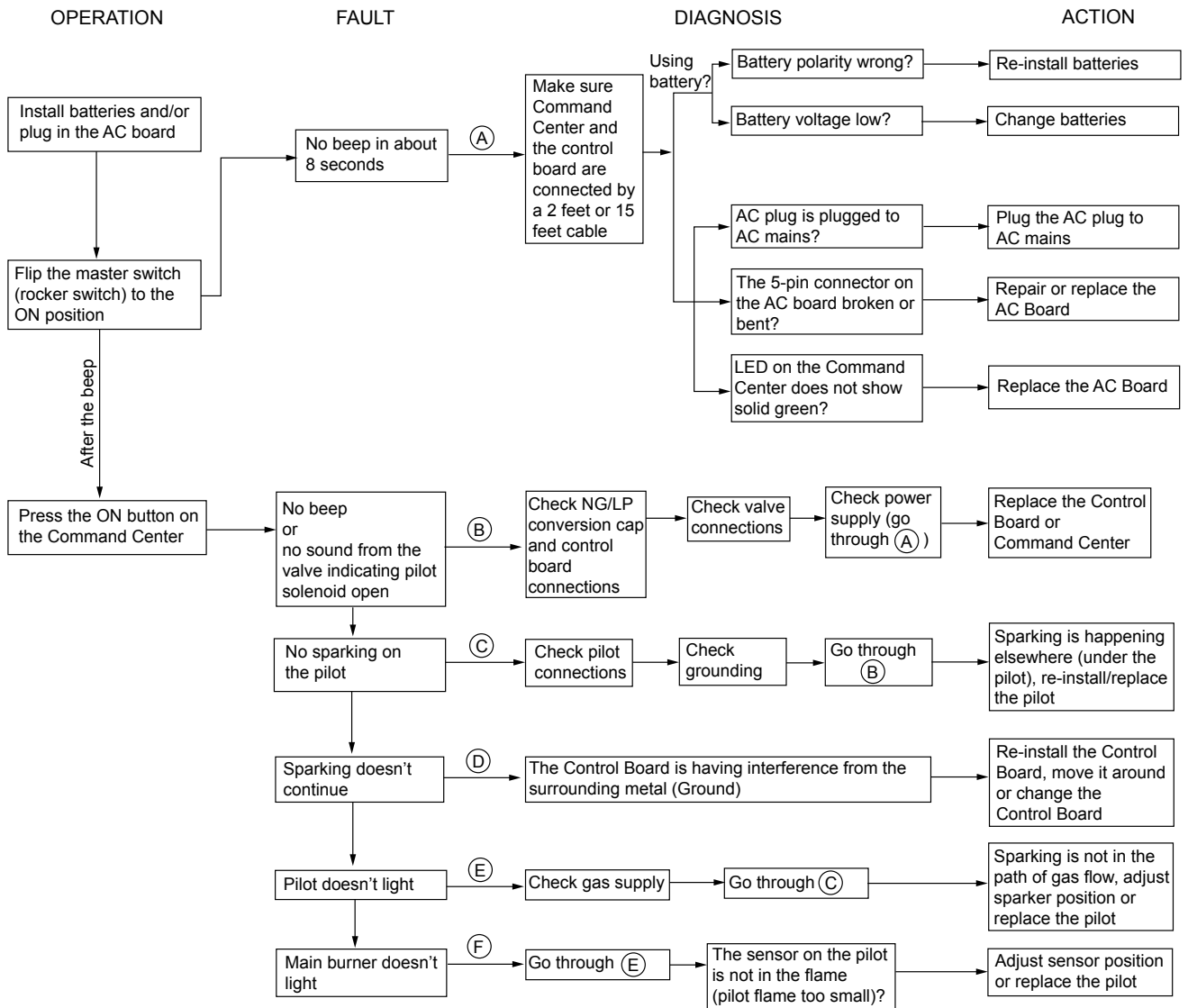
**NOTE:** All troubleshooting items are listed in order of operation.

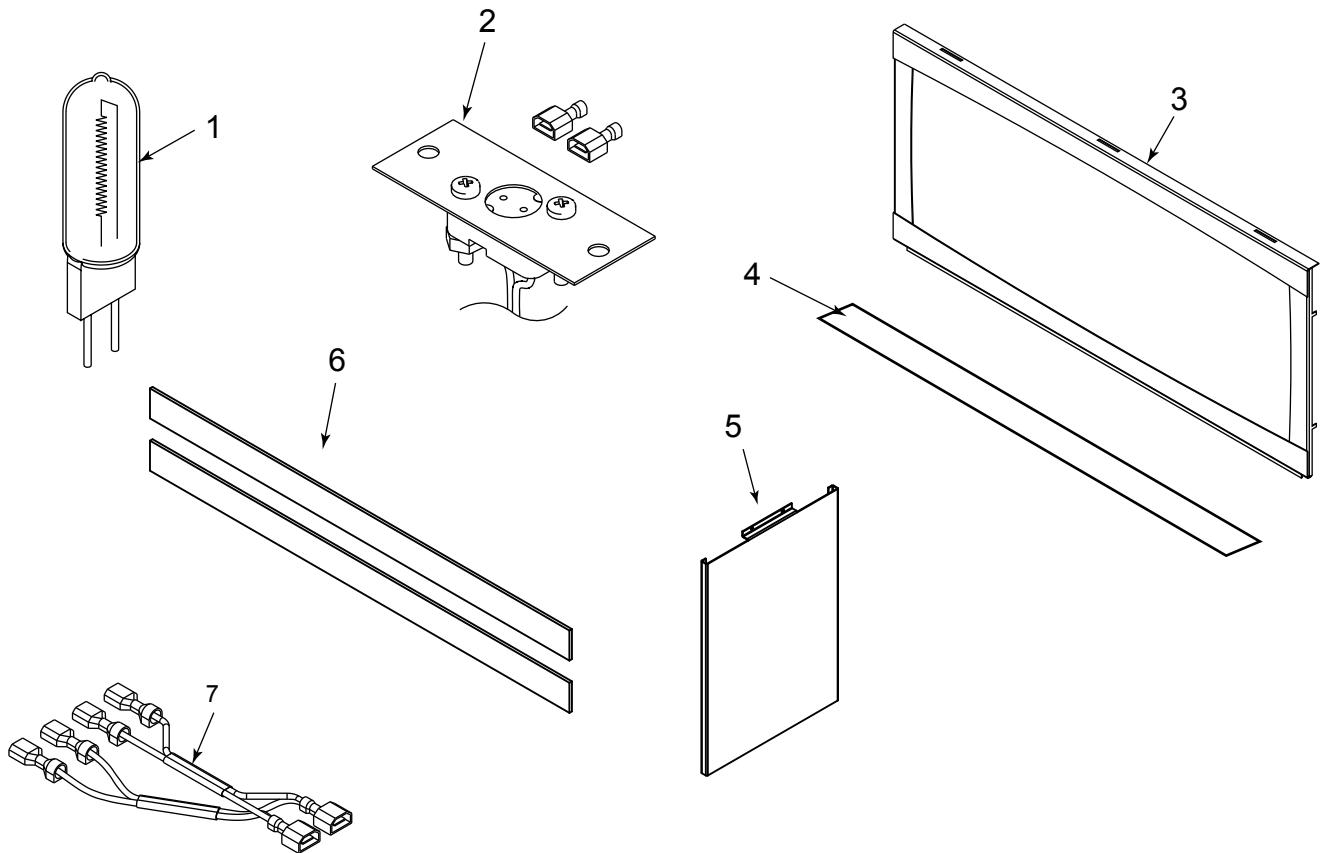
PROBLEM	POSSIBLE CAUSE	SOLUTION
Appliance produces unwanted odors.	Appliance burning vapors from paint, hair spray, glues, etc.	Ventilate room. Stop using odor causing products while heater is running.
	Gas leak.	Locate and correct all leaks.
	Initial burn off.	Ventilate room and turn unit on high until odor is gone. Odor should be gone after six hours of continuous use.
Appliance shuts off during use.	Not enough fresh air is available for ODS/pilot to operate.	Open window and/or door for ventilation.
	Low line pressure.	Contact local gas company.
	ODS/pilot is partially clogged.	Clean ODS/pilot.
	Defective thermopile.	Check wire connections. Check output should be 500 millivolts across thermopile leads with ON/OFF switches off.
Gas odor even when control knob is in OFF position.	Gas leak	Locate and correct all leaks.
	Control valve defective.	Replace control valve.
Burner does not light after ODS/pilot is lit.	Burner orifice is clogged.	Burner orifice is clogged.
	Burner orifice diameter is too small.	Burner orifice diameter is too small.
	Inlet gas pressure is too low.	Inlet gas pressure is too low.
Burner backfires during combustion.	Manifold gas pressure is too low.	Contact local gas company.
	Burner orifice is clogged.	Clean burner or replace burner orifice.
Slight smoke or odor combustion.	Burner orifice is clogged or damaged.	Clean burner or replace burner orifice.
	Burner is damaged.	Replace burner.
	Gas regulator defective.	Replace gas regulator.
Heater produces a whistling noise when burner is lit.	Air in gas line.	Operate burner until air is removed from line. Have gas line checked by local gas company.
	Dirty or partially clogged burner orifices.	Clean burner or replace burner orifice.
No gas to pilot.	LP regulator shut down due to inlet pressure too high.	Verify LP tank regulator is installed and set at 11" to 13" w.c. Replace regulator on heater.

<b>Problem</b>	<b>Possible cause</b>	<b>Solution</b>
LED lights will not turn on	No AC power to appliance	Check that GFCI breaker is operating as intended and is not tripped. Verify that AC power has been connected to the appliance. Ensure that both the 3V IPI control module power supply as well as the LED power supply are securely plugged into the appliance junction box.
	Faulty wiring	Check appliance for loose/corroded connections or shorted wires.
	LED failure	Check for 12VDC from power supply. If 12VDC is present, LED strip is bad.
	Power supply failure	Check for 12VDC. If no 12VDC is present, power supply is bad



**SIGNATURE COMMAND® SYSTEM**



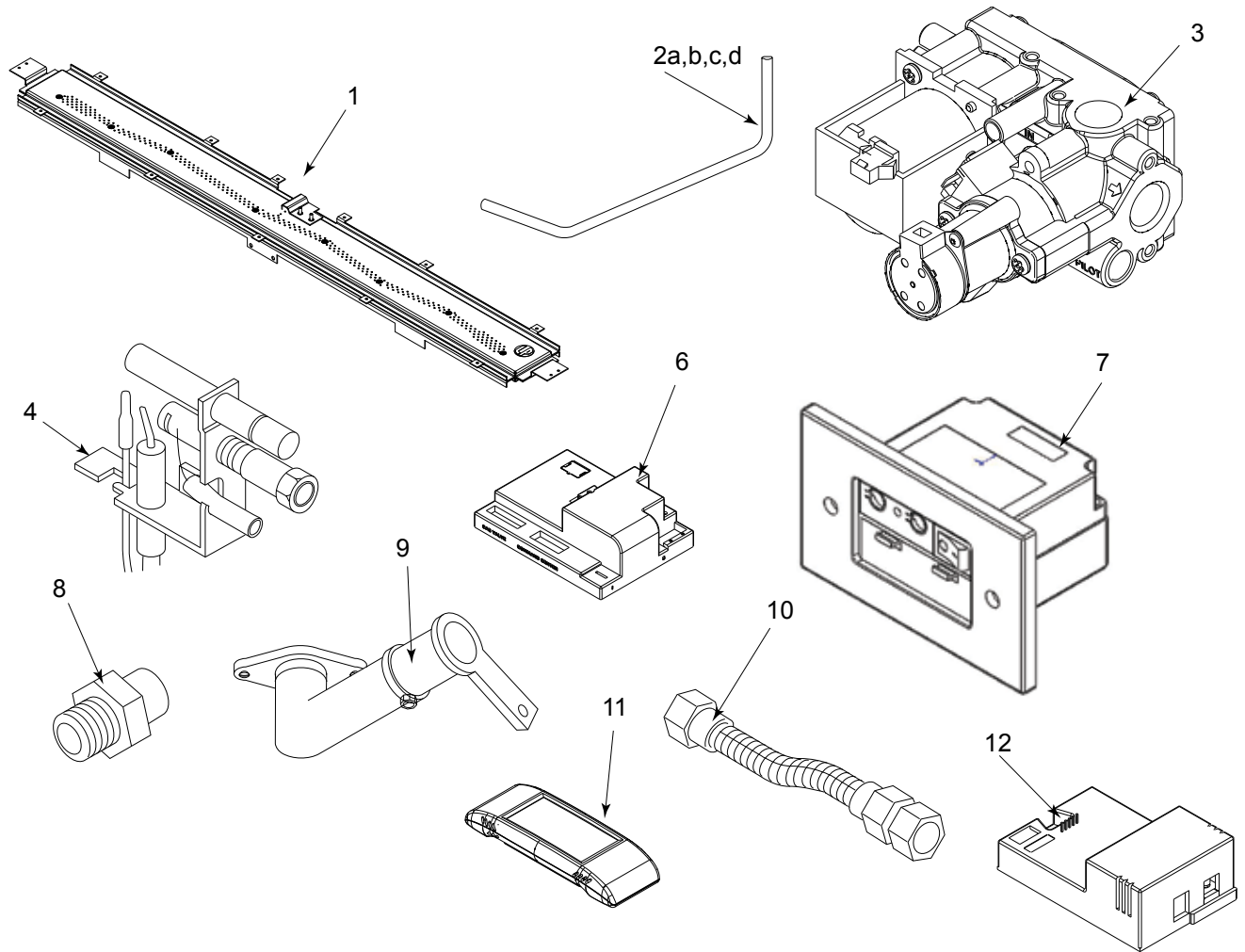


**FIREBOX**

ITEM	DESCRIPTION	QTY.	PART NO.
1.	Bulb – Top Light (100w)	1	73D0020
2.	Bulb Socket	1	73D4521
3.	Screen Frame Assembly	1	20305693K
4.	Panel, Access, Door	1	20305434K
5.	Porcelain Panel	1	20308284
6.	Deflection Glass	2	20305432
7.	Wire Harness	1	78D1077
8.	Junction Box Assembly (not shown)	1	26D2128K

**STONES (not shown)**

DESCRIPTION	QTY.	PART NO.
Large Sand Stone #1	1	20303038K
Large White Stone #2	1	20303039K
Large Dark Gray Stone #3	1	20303040K
Large Brown Stone #4	1	74D0720K
Medium Sand Stone #5	1	20303042K
Medium White Stone #6	2	20303043K
Medium Dark Gray Stone #7	2	20303044K
Medium Tan Stone #8	2	74D0718K
Small Tan Stone #9	1	78D0141K
Small Dark Gray Stone #10	2	74D0717K



**SIGNATURE COMMAND® SYSTEM**

ITEM	DESCRIPTION	QTY.	AVFLST42NTSC	AVFLST42PTSC
1.	Burner Assembly	1	20308286	20308287
2a.	Tube, Tee to Valve	2	20305454K	20305454K
2b.	Tube, Tee to Injector	1	78D0090K	78D0090K
2c.	Regulator Tube	1	20304913K	—
2d.	Pilot Tube	1	20306010K	20306011K
3.	Gas Valve Assembly	1	20303257K	20303258K
4.	Pilot Assembly	1	14D0473	14D0473
5.	Pilot Regulator (not shown)	1	14D0469	—
6.	Control Box	1	80D0018	80D0019
7.	Command Center	1	80D0005	80D0005
8.	Injector	2	20305649	62D3005
9.	Venturi	2	45D0600	20305775K
10.	Flexhose w/Shutoff Valve	1	69D0030	69D0030
11.	Remote Transmitter (full function)	1	TSFSC	TSFSC
12.	AC Module	1	80D0004	80D0004
13.	Wire Valve/Control (not shown)	1	80D0010	80D0010
14.	Wire AC Module (not shown)	1	80D0009	80D0009
15.	Wire, CC/CB 24" w/Power Leads (not shown)	1	20301889	20301889
16.	Wire, Thermocouple Module SCS (not shown)	1	20301890	20301890

# LIMITED LIFETIME WARRANTY

## LIFETIME WARRANTY

The following components are warranted for life to the original owner, subject to proof of purchase: Firebox/Combustion Chamber/Heat Exchanger.

## FIVE YEAR WARRANTY

The following components are warranted for 5 years to the original owner, subject of proof of purchase: Catalytic Filter and Aluminized Burners.

## BASIC WARRANTY

Monessen warrants the components and materials in your gas appliance to be free from manufacturing and material defects for a period of one year from date of installation. After installation, if any of the components manufactured by Monessen in the appliance are found to be defective in materials or workmanship, Monessen will, at its option, replace or repair the defective components at no charge to the original owner. Monessen will also pay for reasonable labor costs incurred in replacing or repairing such components for a period of one year from the date of installation. Any products presented for warranty repair must be accompanied by a dated proof of purchase.

This Limited Warranty will be void if the appliance is not installed by a qualified installer in accordance with the installation instructions. The Limited Lifetime Warranty will also be void if the appliance is not operated and maintained according to the operating instructions supplied with the appliance, and does not extend to (1) firebox/burner assembly damage by accident, neglect, misuse, abuse, alteration, negligence of others, including the installation thereof by unqualified installers, (2) the costs of removal, re-installation or transportation of defective parts on the appliance, or (3) incidental or consequential damage. All service work must be performed by an authorized service representative.

This warranty is expressly in lieu of other warranties, express or implied, including the warranty of merchantability of fitness for purpose and of all other obligations or liabilities. Monessen does not assume for it any other obligations or liability in connection with the sale or use of the appliance. In states that do not allow limitations on how long an implied warranty lasts, or do not allow exclusion of indirect damages, those limitations of exclusions may not apply to you. You may also have additional rights not covered in this Limited Warranty.

Monessen reserves the right to investigate any and all claims against the Limited Warranty and decide upon method of settlement.

## IF WARRANTY SERVICE IS NEEDED

1. Contact your supplier. Make sure you have your warranty, your sales receipt and the model/serial number of your Monessen product.
2. DO NOT ATTEMPT TO DO ANY SERVICE WORK YOURSELF.









LOVE AT FIRST LIGHT

149 Cleveland Drive • Paris, Kentucky 40361  
[www.monessenhearth.com](http://www.monessenhearth.com)