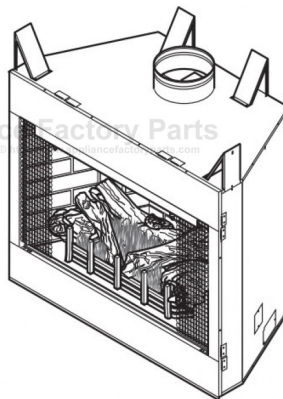


This Owner's Manual is provided and hosted by [Appliance Factory Parts](#).



Monessen Hearth BBV400NE Owner's Manual

[Shop genuine replacement parts for Monessen Hearth
BBV400NE](#)



[Find Your Monessen Hearth Fireplace Parts - Select From 701 Models](#)

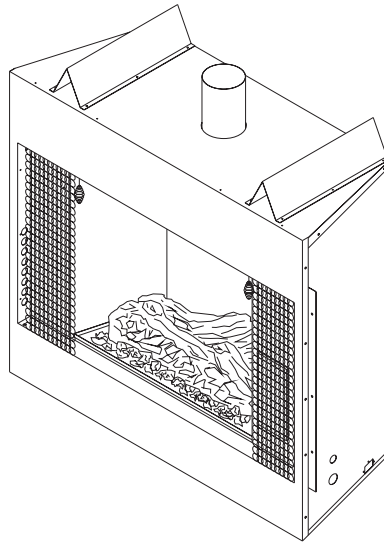
----- Manual continues below -----

MONESSEN HEARTH SYSTEMS

BBV400NV/BBV400NE SERIES

B-VENT DECORATIVE GAS APPLIANCE

INSTALLATION, OPERATION AND MAINTENANCE MANUAL



READ THIS MANUAL BEFORE INSTALLING OR OPERATING THIS APPLIANCE. THIS INSTALLATION, OPERATION AND MAINTENANCE MANUAL MUST BE LEFT WITH APPLIANCE FOR FUTURE REFERENCE.

WARNING: IF THE INFORMATION IN THIS MANUAL IS NOT FOLLOWED EXACTLY, A FIRE OR EXPLOSION MAY RESULT CAUSING PROPERTY DAMAGE, PERSONAL INJURY OR LOSS OF LIFE.

DO NOT STORE OR USE GASOLINE OR OTHER FLAMMABLE VAPORS AND LIQUIDS IN THE VICINITY OF THIS OR ANY OTHER APPLIANCE.

WHAT TO DO IF YOU SMELL GAS

- DO NOT TRY TO LIGHT ANY APPLIANCE.
- DO NOT TOUCH ANY ELECTRICAL SWITCH; DO NOT USE ANY PHONE IN YOUR BUILDING.
- IMMEDIATELY CALL YOUR GAS SUPPLIER FROM A NEIGHBOR'S PHONE. FOLLOW THE GAS SUPPLIER'S INSTRUCTIONS.
- IF YOU CANNOT REACH YOUR GAS SUPPLIER, CALL THE FIRE DEPARTMENT.

INSTALLATION AND SERVICE MUST BE PERFORMED BY A QUALIFIED INSTALLER, SERVICE AGENCY OR THE GAS SUPPLIER.

DANGER: FAILURE TO FOLLOW THESE INSTRUCTIONS CAREFULLY AND WITHOUT ERROR, OR FAILURE TO HEED ANY AND ALL WARNINGS IN THESE INSTRUCTIONS CAN RESULT IN AN EXPLOSION, FIRE OR THE PRODUCTION OF CARBON MONOXIDE GAS WHICH CAN CAUSE PROPERTY DAMAGE, BODILY INJURY OR DEATH.

TABLE OF CONTENTS

CONGRATULATIONS!

You have chosen the finest B-vent gas fireplace system available. Your fireplace has been designed for years of decorative viewing enjoyment. Please take time to read this entire manual before installing or operating your system.

Important Information	2-4
Appliance System Components	5
Clearances	6
Installation Preparation	7-8
Fireplace and Venting Installation	9
Venting Requirements	10
Gas Supply Connections	11
Electrical Wiring	11
Electronic Ignition	12
Fireplace Setup	13
Operating Instructions	14-15
Maintenance Instructions	15-16
Outside Combustion Air Precautions and Recommendations	17
Combustion Air Assembly	18
Troubleshooting	19
Repair Parts List.....	20

LISTING AND CODE APPROVALS

U.S. and Canada Certification

The BBV400NV Series Gas Appliance has been tested in accordance with the ANSI Z21.50-1998/CSA M2.22-M98 Standard for Vented Gas Fireplaces and have been LISTED by OMNI-Test Laboratories, Inc. for installation and operation as described in these Installation and Operating Instructions. All components are UL, AGA, CGA, or CSA safety certified.

Local Codes

Check with your local building code agency prior to installing this appliance to ensure compliance with local codes, including the need for permits and follow-up inspections. This installation must conform with local codes or, in the absence of local codes, in the USA with the National Fuel Gas Code, ANSI Z223.1-latest edition.

IMPORTANT INFORMATION

"Warning: If not installed, operated and maintained in accordance with the manufacturer's instructions, this product could expose you to substances in fuel or from fuel combustion which can cause death or serious illness and which are known to the state of California to cause cancer, birth defects or other reproductive harm. Also, operation, installation and servicing of this product could expose you to airborne particles of glass wool fibers known to the state of California to cause cancer through inhalation."

The gas fireplace must be installed and serviced by a qualified installer to conform with local codes. In the absence of local codes, install to the current National Fuel Gas Code, ANSI Z223.1.

The fireplace and its individual shutoff valve must be disconnected from the gas supply piping system during any pressure testing of that system at test pressures in excess of 1/2 psig.

The fireplace must be isolated from the gas supply piping system by closing its individual manual shutoff valve during any pressure testing of the gas supply piping system at test pressures equal to or less than 1/2 psig. Pressures in excess of 1/2 psig will cause damage to the control valve and may cause damage to the shutoff valve.

Model BBV400NV (Natural Gas):

Maximum Input: 18,000 BTU Per Hour

Minimum Inlet Gas Supply Pressure: 4.5 inches water column

Maximum Inlet Gas Supply Pressure: 7 inches water column

Manifold Pressure Under Flow Conditions: 3.5 inches water column

Notice: This appliance operates with a yellow, smoky flame. When properly adjusted according to these instructions, small amounts of carbon (soot) will be deposited on the outlet section of the air terminal and possibly on surrounding structure. If not properly adjusted and operated according to these instructions, carbon (soot) will accumulate in larger quantities on the air terminal and surrounding structure and objects.

Do not attempt to operate the burner at an input rate other than that given by the flame adjustment valve.

Illustrations throughout these instructions reflect typical installations and are for design purposes only. Actual installation may vary slightly due to individual design preferences. However, minimum and maximum clearances must be maintained at all times. The illustrations and diagrams in these instructions are not drawn to scale.

Any additions, changes or conversions required in order for the appliance to satisfactorily meet the application needs must be made by a distributor or dealer using factory specified and approved parts.

This product is manufactured to use natural gas. A natural gas unit can be converted to use propane, but **ONLY** if converted by a qualified service technician and **ONLY** if the Natural Gas to Propane Gas Conversion Kit is used.

If any assistance is required during installation, please contact your local dealer or the Customer Service Department.

For Massachusetts Residences Only:

- This product must be installed by a licensed plumber or gas fitter when installed within the Commonwealth of Massachusetts. Flexline installation must not exceed 36 inches.

IMPORTANT INFORMATION

This fireplace is a decorative gas appliance.

Do not burn wood or other materials in this fireplace.

Adults and especially young children should be alerted to the hazards of high temperatures and should stay away to avoid burns or clothing ignition.

Supervise young children when they are in the same room as the fireplace.

Due to high temperatures, the fireplace should be located out of traffic and away from furniture and draperies.

Clothing or other flammable material should not be placed on or near the fireplace.

The fireplace glass door must be in place when the appliance is operating.

Any safety screen or guard removed for servicing the appliance must be replaced prior to operating the fireplace.

It is imperative that the control compartments, burners and circulating air passageways of the fireplace and venting system are kept clean.

The fireplace and its venting system should be inspected before use and at least annually by a qualified service person.

More frequent cleaning may be required due to excessive lint from carpeting, bedding material, etc.

The fireplace area must be kept clear and free from combustible materials, gasoline and other flammable vapors and liquids.

This fireplace must not be connected to a chimney flue servicing a separate solid fuel burning appliance.

Under no circumstances should the fireplace be modified.

The fireplace is not intended for use with a thermostat.

Do not use this appliance if any part has been under water.

Immediately call a qualified service technician to inspect the appliance and to replace any part of the control system which has been under water.

This appliance must be installed with the draft hood in the same atmospheric pressure zone as the combustion air inlet to the appliance.

APPLIANCE SYSTEM COMPONENTS

A list of the components that may safely be used with this appliance are listed below.

MODELS	BBV400NV	Standing Pilot, Natural Gas [†]
	BBV400NE	Electronic Ignition, Natural Gas [†]

[†] Field convertible to propane gas.

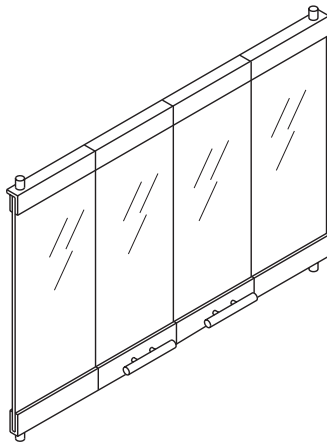
Must be installed with one of the glass doors shown below.

GLASS DOORS	GD36PB	Polished Brass Glass Door ^{††}
	GD36B	Black Finish Glass Door ^{††}

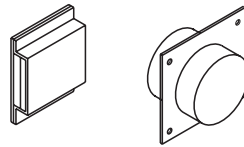
^{††} Shown below.

OPTIONAL ACCESSORIES

CK35E	LP Conversion Kit for Electronic Ignition Model
CK35L	LP Conversion Kit for Standing Pilot Model
RC2	Hand Held Remote Control
GFWS	Wall Switch
OAC4	Outside Air Kit



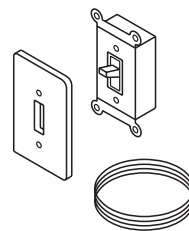
GD36B
GD36PB



OAC4 OUTSIDE AIR ASSEMBLY



RC2
HAND HELD REMOTE CONTROL



GFWS
REMOTE WALL SWITCH

This gas appliance has been tested and listed for use with the optional components listed on this page. Many optional components may be purchased separately and installed at a later date. However, installation of a blower kit will require electrical power. To avoid costly reconstruction, electrical power should be connected to the appliance at the time of initial appliance installation for possible addition of these accessories at a later date.

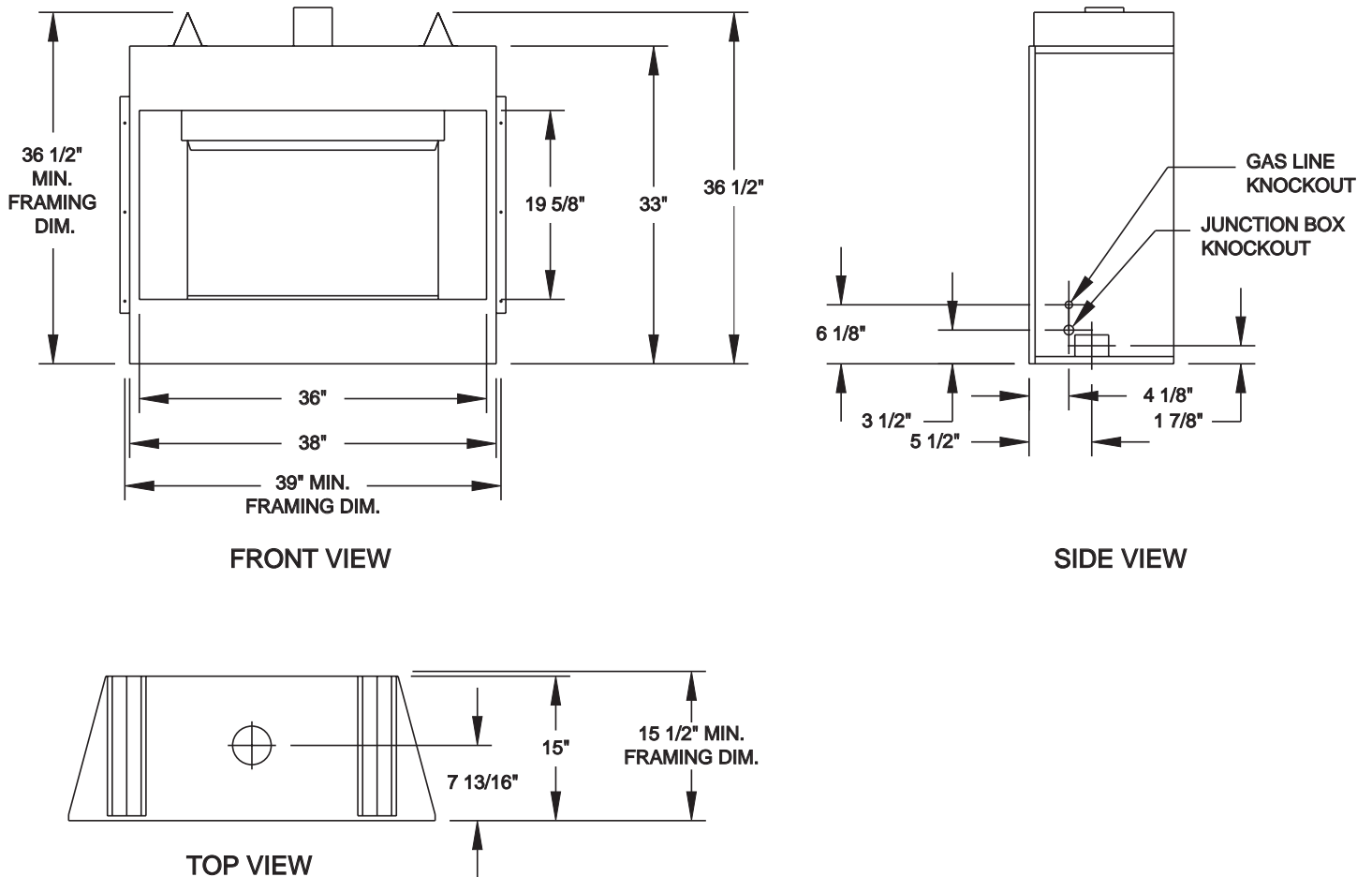
CLEARANCES TO COMBUSTIBLE MATERIALS

Sides: 1/2 inch Back: 1/2 inch Bottom: 0 inch
 Top: 0 to Top of Spacers Front: 24 inches Ceiling: 48 inches
 Vent Pipe: As specified by vent manufacturer.

Notice: Spacers are provided on the top of the unit which allow the fireplace to be listed as a "0" clearance appliance. A "0" clearance to combustibles must be maintained from the flat surfaces of the sides and back of the appliance.

When the fireplace is installed directly on carpeting, vinyl tile or other combustible material other than wood flooring, the fireplace shall be installed on a metal or wood panel extending the full width and depth of the appliance. Adequate combustion and ventilation air must be provided. Provide adequate accessibility clearance for servicing and operating the fireplace. Never obstruct the front opening of the fireplace.

FIGURE 1



INSTALLATION PREPARATION

This gas fireplace and its components are tested and safe when installed in accordance with this installation manual. Report your dealer any parts damaged in shipment, particularly the condition of the glass. **Do not install any unit with damaged, incomplete, or substitute parts.**

Read all of the instructions before starting the installation. Follow these instructions carefully during the installation to ensure maximum safety and benefit. Failure to follow these instructions will void the owner's warranty and may present a fire hazard.

When planning a fireplace installation, it is necessary to determine:

- Where the unit is to be installed.
- The vent system configuration to be used.
- Gas supply piping requirements.
- Electrical wiring requirements.
- Framing and finishing details.
- Whether optional accessories - devices such as a fan, wall switch, or remote control - are desired.

HIGH ALTITUDE INSTALLATION

For U.S. installation, units are tested and approved for elevations from 0-2000 feet. When installing this unit at an elevation above 2000 feet, United States codes require a decrease of the input rating by changing the existing burner orifice to a smaller size. Input should be reduced 4% for each 1000 feet above sea level. Check with the local gas utility for proper orifice size identification. Consult your local gas company for assistance in determining the proper orifice for your locality or refer to ANSI Z223.1-the latest edition, Appendix F.

This appliance has been converted for use at an altitude of _____

Orifice Size _____

Manifold Pressure _____

Input (Btu/hr) _____

Fuel Type _____

Date of Conversion _____

Converted By _____

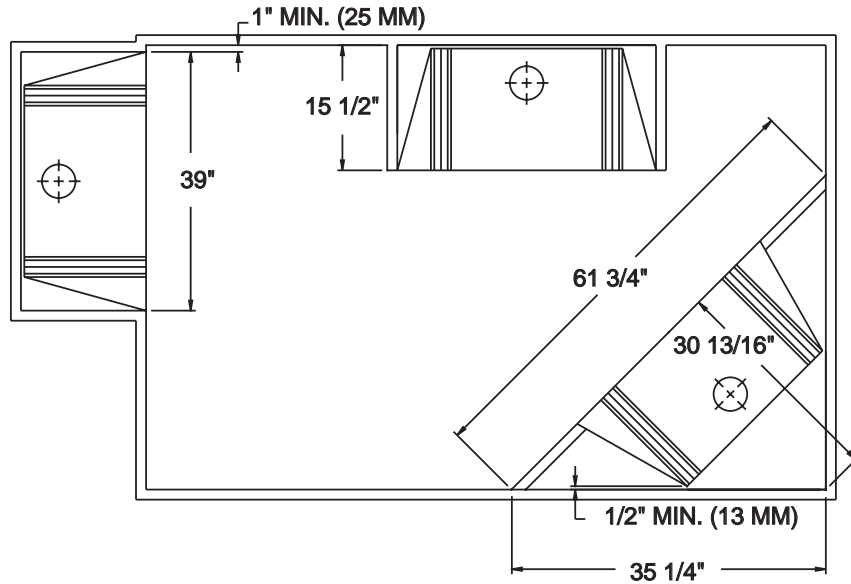
INSTALLATION PREPARATION

APPLIANCE LOCATIONS AND SPACE REQUIREMENTS

This appliance may be installed along a wall, across a corner or use an exterior chase. The BBV400NV Series may be installed directly on the floor or on a raised platform to enhance its visual impact. Figure 2 illustrates a variety of ways the appliance may be located in a room.

Due to high temperatures, the appliance should be located out of traffic and away from furniture and draperies.

FIGURE 2



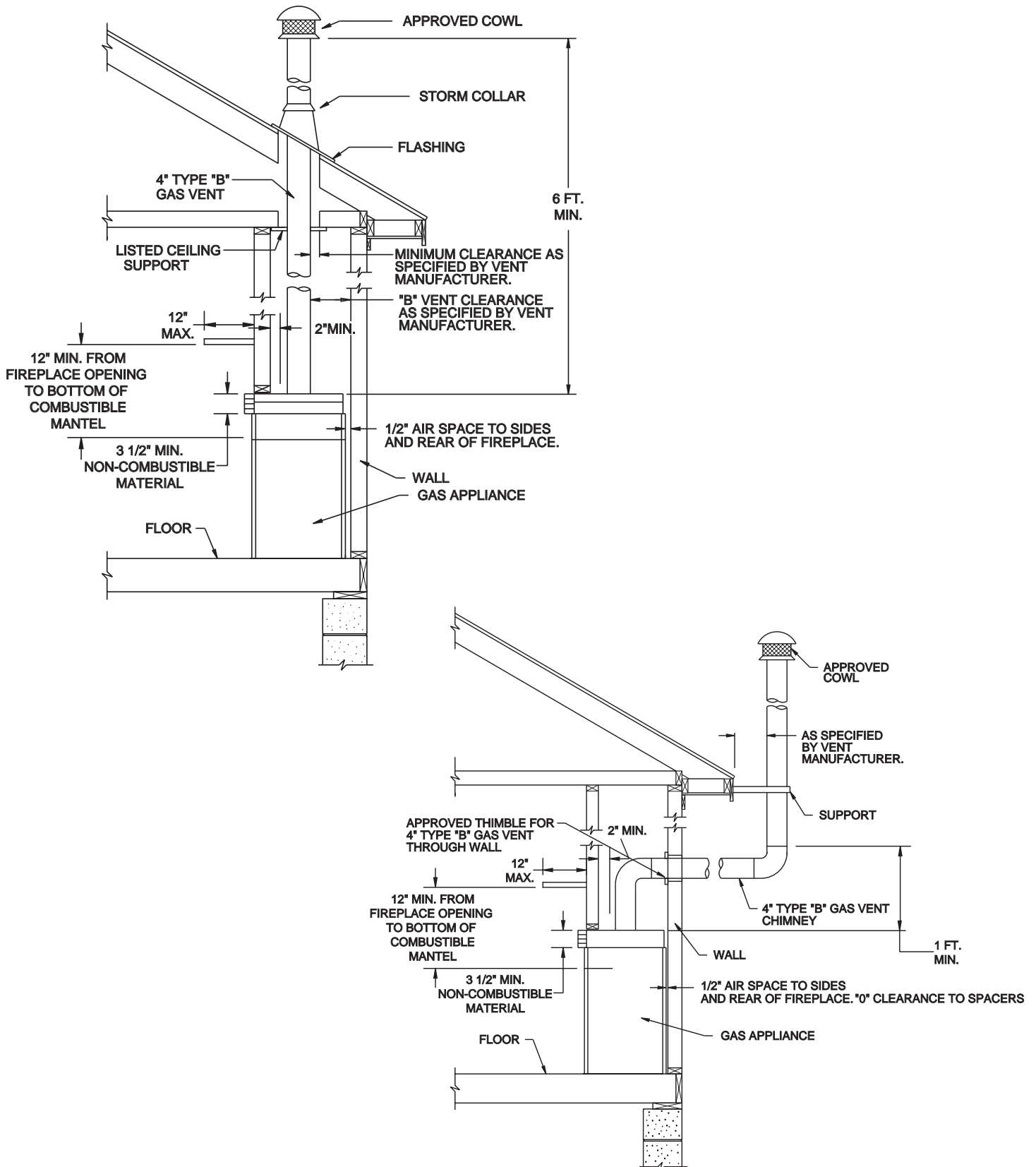
FRAMING THE ENCLOSURE

Figure 3 shows a typical framing of this appliance assuming combustible materials are used. All required clearances shown in Figures 1 and 3 to combustibles around the appliance must be adhered to. Any framing at the back and sides of the appliance must be outside the spacers. Any framing on top of the appliance must be above the top spacers.

Fireplace framing can be built before or after the fireplace is set in place. Framing should be positioned to accommodate wall coverings and fireplace facing material.

FIREPLACE AND VENTING INSTALLATION

FIGURE 3



VENTING REQUIREMENTS

Warning: Do not connect this appliance to a chimney flue serving a separate solid fuel burning appliance. Carbon deposits (Soot) and creosote from solid fuels can clog the vent from the appliance causing poisonous carbon monoxide to be released into the room in which the appliance is installed.

All vented gas-fired appliances when operating correctly produce small concentrations of carbon monoxide along with other combustion products. Should something interfere with the operation of the appliance, it is possible for the appliance to produce deadly quantities of poisonous carbon monoxide. All flue products from this appliance must be vented to the outside at all times. Never operate an appliance designed to be vented without a correctly working vent system connected to the appliance.

Warning: Venting of this appliance is one of the most important parts of the installation. Venting systems must be installed and inspected according to these instructions and local codes or in the absence of local codes, according to the National Fuel Gas Code Z223.1 - Latest edition, by a licensed or otherwise qualified installer.

Your local gas company should have copies of the National Fuel Code Z223.1 or other installation codes applicable to your area.

Venting requirements and accepted methods vary greatly depending on the particular installation. It is impossible to thoroughly define all possible installation circumstances in this manual. The following instructions and illustrations are general guidelines only. All venting material must be installed according to local codes, or in the absence of such codes, according to the National Fuel Gas Code Z223.1.

Warning: An improperly vented gas-fired appliance can lead to death from carbon monoxide poisoning.

Venting materials are not provided with this appliance and must be purchased separately.

This appliance must be installed using 4" type "B" vent that has been listed by a nationally recognized testing agency..

Attach the vent pipe to the appliance using four (4) sheet metal screws.

Vent must maintain minimum rise of 1/4 inch per foot of horizontal run.

Venting terminals shall not be recessed into a wall or siding.

GAS SUPPLY CONNECTIONS

Both rigid and flexible gas lines are approved for use with these appliances. Consult your local codes for approved gas piping practices. Some local codes may require the installation of a manual main shut-off valve and union external to the appliance. Approved components must be used and the union must be of the ground joint type.

1. Knockouts are on each side of the fireplace outer jacket for convenience in running the gas line to the unit.
2. Choose the gas line routing that results in the shortest length of run and requires the least number of fittings and joints to avoid excessive pressure drop.
3. Connect the gas line to the inlet side of the gas valve.

NOTE: Compounds used on thread joints of gas piping must be resistant to the actions of liquefied petroleum gases.

A 1/8 inch (3 mm) N.P.T. plugged tapping, accessible for test gauge connection, should be provided in the gas supply line leading to the unit's shutoff valve.

4. After gas piping installation is complete, carefully check all piping connections for gas leaks using a leak detecting solution.

Caution: The gas valve can be damaged if subjected to more than 10 psig during pressure testing of the gas piping system. The gas valve must be disconnected or isolated from the piping system during pressure testing.

ELECTRICAL WIRING

NOTE: This appliance must be electrically wired and grounded in accordance with local codes and/or with the National Electric Code ANSI/NFPA 70 - Latest Edition, and Canadian Electrical Code C22.1.

1. Model BBV400NV uses a millivolt standing pilot valve system and does not require a 110 volt supply for operation.

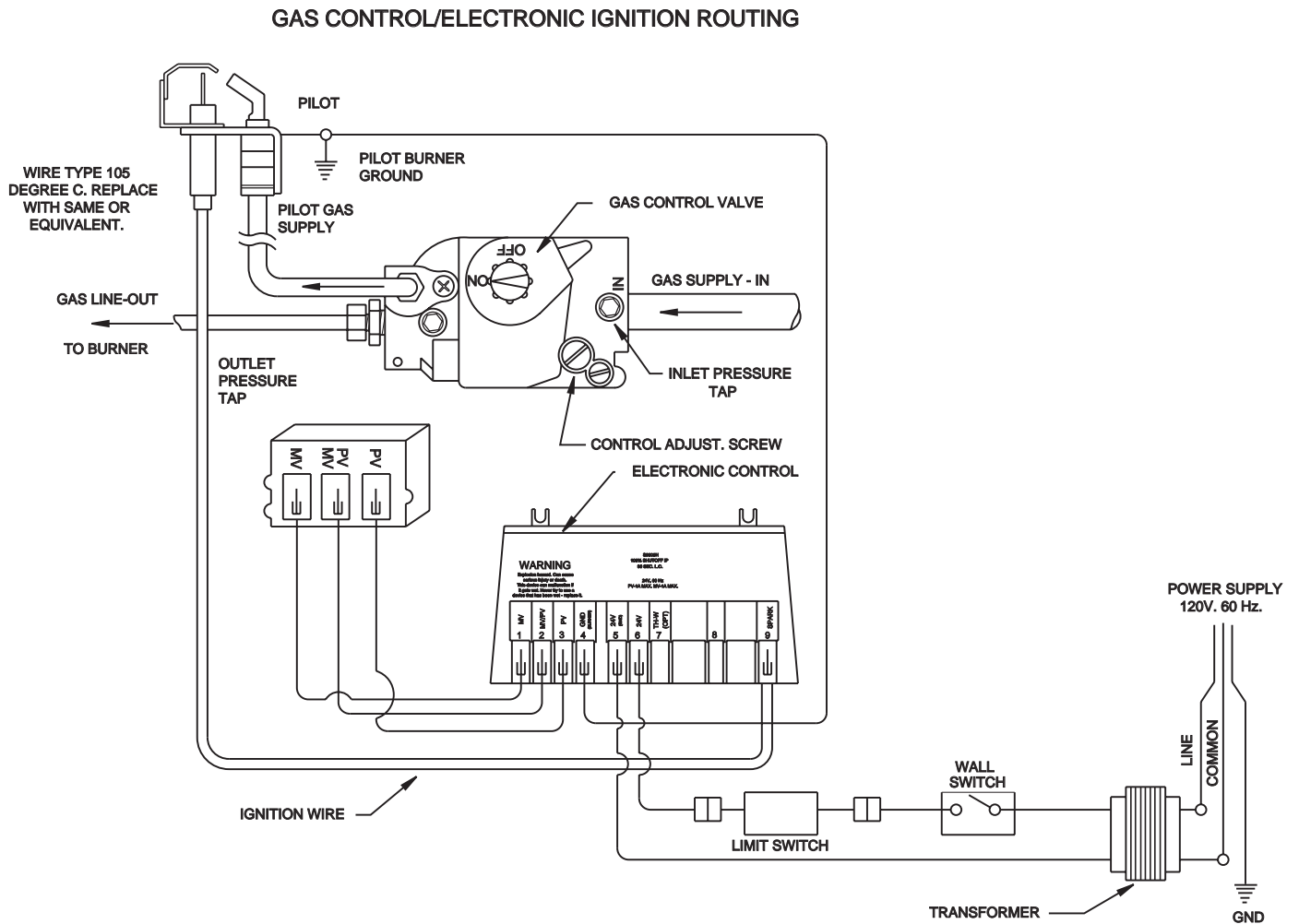
Warning: Do not connect 110 Vac to millivolt valve. This will cause the unit to malfunction and destroy the valve control system.

ELECTRONIC IGNITION

- Model BBV400NE requires connection to a 110 VAC supply from a remote wall switch to the Junction Box. Connect the 110 VAC supply to the transformer leads and the receptacle. Insure that the 110 VAC supply is properly grounded to the unit. Figure 4.

Caution!: Always make sure the power is "OFF" before attempting to install or service any electrical wiring or components.

FIGURE 4



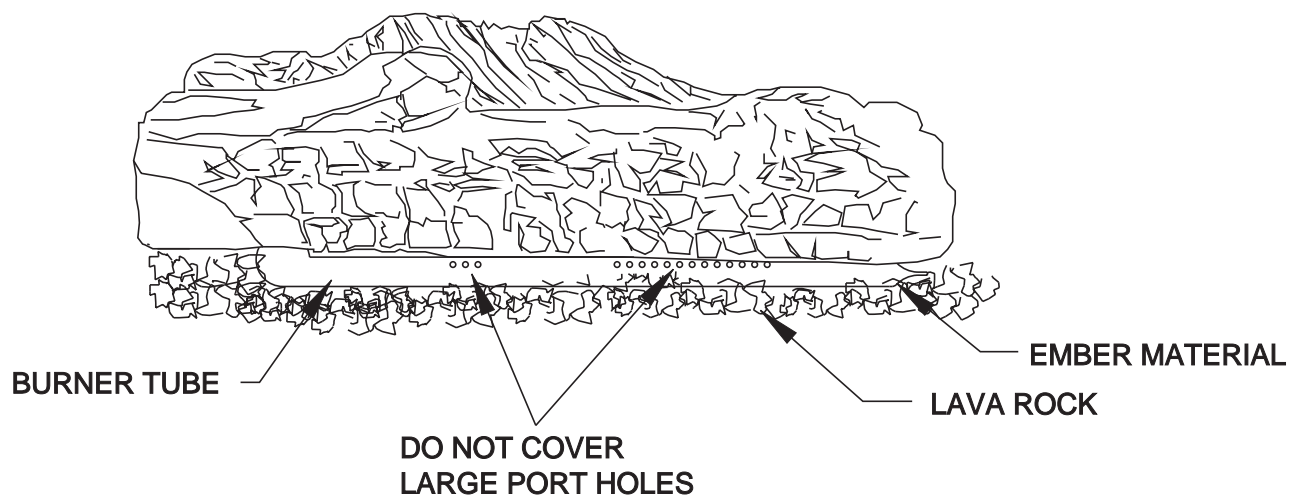
FIREPLACE SETUP

1. Remove the box containing the log from the firebox and discard the two (2) shipping pads. Carefully remove the log from the box.
2. Position log over burner as shown in Figure 5. Wear protective gloves to place glowing ember material in front and on top of burner tube. The ember material should be separated into small (nickel size) pieces and spread evenly in front of burner. Lava rock may be placed on the hearth around the ember material.

Warning: Improper log placement may result in production of increased quantities of poisonous carbon monoxide and soot.

3. Install the glass door assembly supplied separately from this package. The glass door is installed by inserting the top two (2) pins into the receiving holes above the fireplace opening and then inserting two (2) pins into the bottom. Use care not to bump or scratch the glass. Glass door assembly model number GD36PB or model number GD36B must be installed when the fireplace is in use.

FIGURE 5



OPERATING INSTRUCTIONS

Warning!: Never operate this unit with the glass removed.

FOR YOUR SAFETY READ BEFORE LIGHTING

WARNING!

IF YOU DO NOT FOLLOW THESE INSTRUCTIONS EXACTLY, A FIRE OR EXPLOSION MAY RESULT CAUSING PROPERTY DAMAGE, PERSONAL INJURY OR LOSE IF LIFE.

A. BEFORE LIGHTING smell all around the appliance area for gas. Be sure to smell next to the floor because some gas is heavier than air, and will settle on the floor.

WHAT TO DO IF YOU SMELL GAS

Do not try to light any appliance.

Do not touch any electrical switch; do not use any phone in your building.

Immediately call your gas supplier from a neighbor's phone. Follow the supplier's instructions.

If you cannot reach your gas supplier, call the fire department.

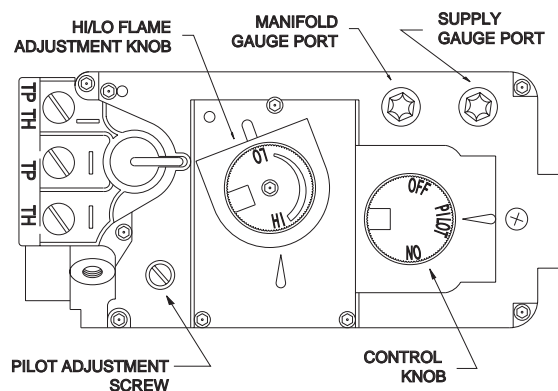
B. Use only your hand to push in or turn knob. Never use tools. If the knob will not push in or turn by hand, don't try to repair it; call a qualified service technician. Forced or attempted repair may result in a fire or explosion.

C. Do not use this appliance if any part has been under water. Immediately call a qualified service technician to inspect the appliance and to replace any part of the control system and any gas control which has been under water.

MILLIVOLT STANDING PILOT SYSTEM

1. If an optional wall mounted switch or appliance mounted On/Off switch was used, switch to the "OFF" position.
2. Turn off all electrical power to the appliance.
3. Open the hinged lower grille. Push in gas control knob slightly and turn clockwise to "OFF".
4. Wait five (5) minutes to clear out any gas. If you then smell gas do not attempt to light. Follow the instructions in the warning above. If you do not smell gas proceed to the next step.
5. Depress gas valve control knob partially, and turn counterclockwise to the pilot position. Figure 6.
6. Depress control knob in until it stops and hold in this position while pushing the red piezo ignitor button until the pilot lights. The control knob should be held depressed for a few seconds. Release the control knob and the pilot should remain lit.
7. Depress the control knob partially and turn counterclockwise to the "ON" position.
8. If an optional wall switch or appliance mounted switch was used, switch to "ON". The main burner should now be "ON".
9. Close the lower grille.

FIGURE 6



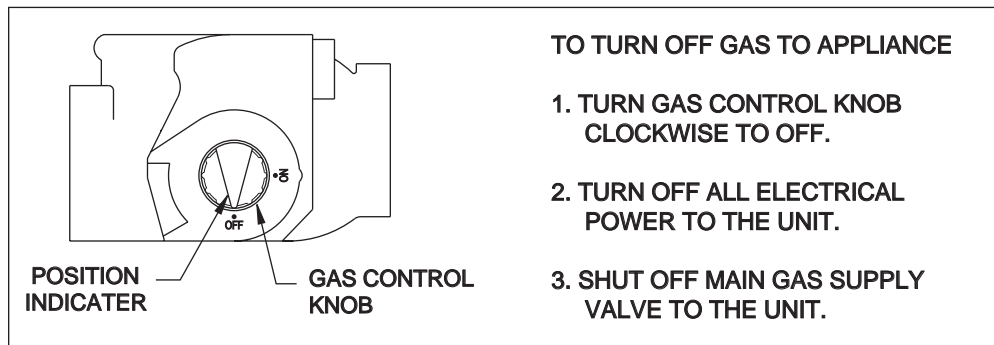
GAS VALVE SHOWN IN PILOT POSITION

OPERATING INSTRUCTIONS

ELECTRONIC IGNITION SYSTEM

1. STOP! Read the safety information at the beginning of this section.
2. Turn off the electric power to the appliance.
3. This appliance is equipped with an ignition device which automatically lights the pilot. Do NOT try to light the pilot by hand.
4. Open control access panel.
5. Turn gas control knob clockwise to "OFF". Refer to Figure 7.

FIGURE 7



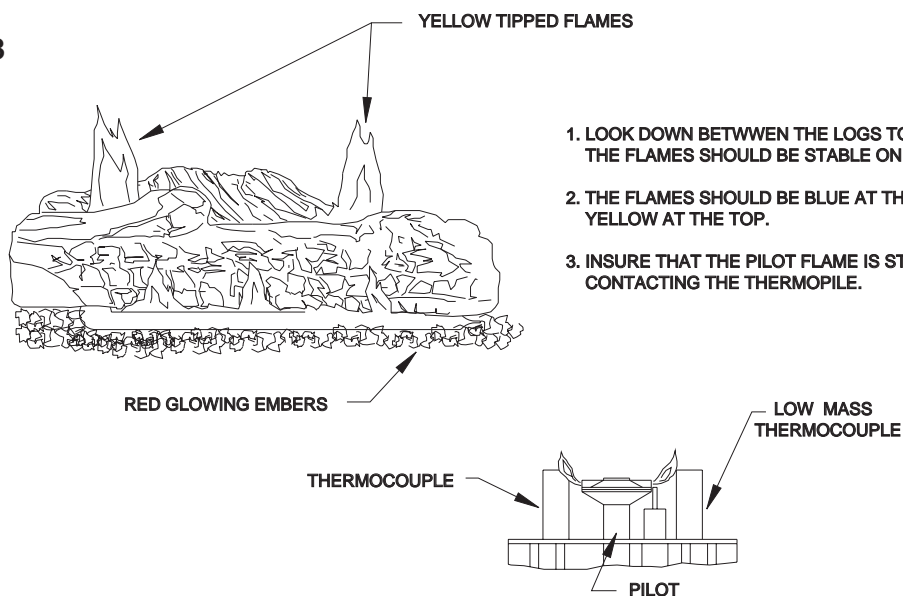
6. Wait five (5) minutes to clear out any gas. If you then smell gas, STOP! Follow the instructions in the warning on page 14. If you do not smell gas, go to next step.
7. Turn gas control knob counterclockwise to "ON".
8. Close control access panel.
9. Turn on all electric power to the appliance.
10. If the appliance will not operate, follow the instructions "To Turn Off Gas To Appliance" and call your service technician or gas supplier.

MAINTENANCE INSTRUCTIONS

1. Control Compartment - Keep the control compartment clean by brushing and vacuuming at least once a year. Always turn off the gas valve and all electrical power to the unit before cleaning.
2. Checking Flame Patterns - The burner flame pattern should be checked periodically. The flames should be steady and not lifting. See Figure 8.
3. Vent System Inspection - The appliance and vent system should be inspected at least annually. A qualified service person should check vent pipe and all connections for tightness and to make sure there is no blockage at the termination, no unusual corrosion or other damage.
4. The appliance area must be kept clear and free from combustible materials, gasoline and other flammable vapors and liquids.

MAINTENANCE INSTRUCTIONS

FIGURE 8



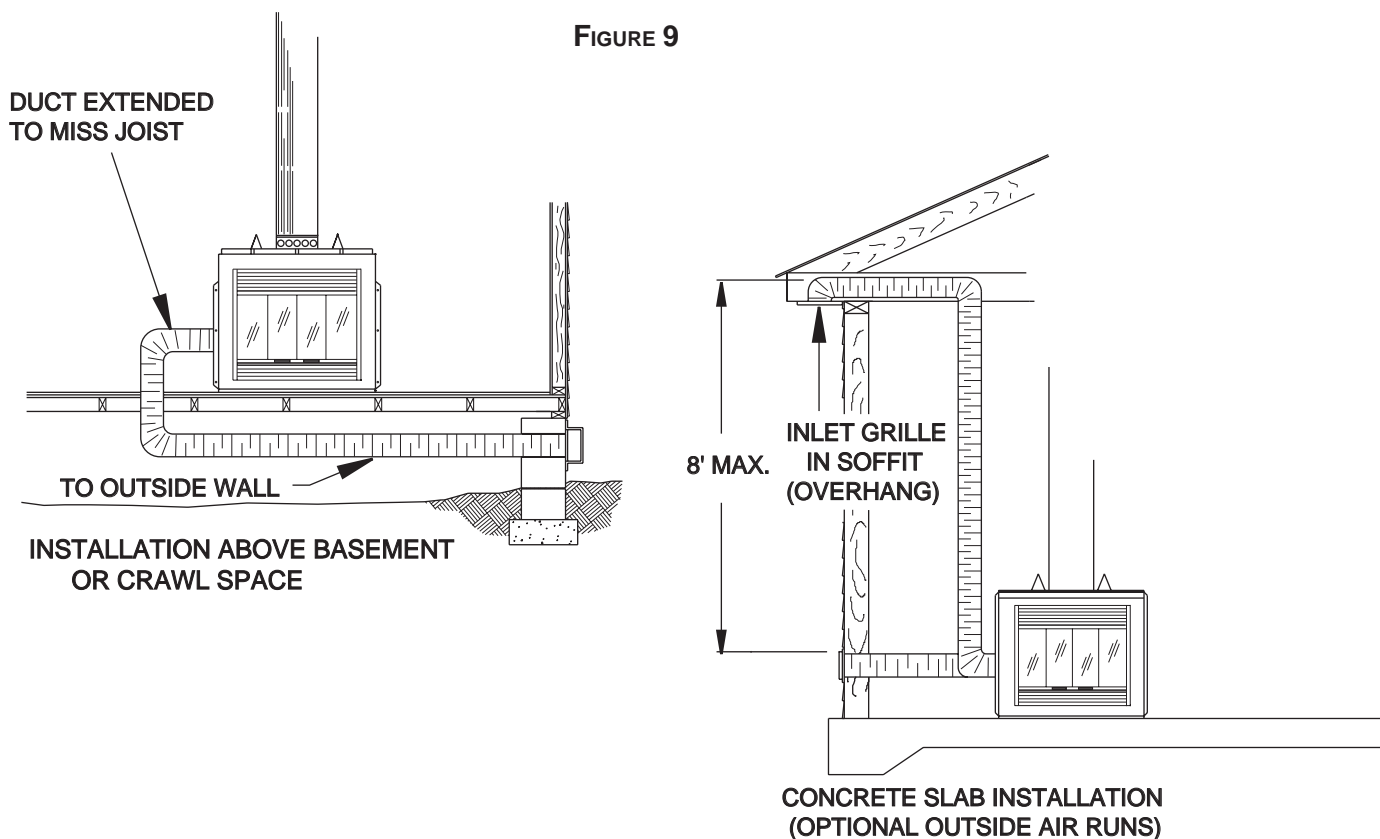
1. LOOK DOWN BETWEEN THE LOGS TO SEE THE BURNER. THE FLAMES SHOULD BE STABLE ON THE BURNER.
2. THE FLAMES SHOULD BE BLUE AT THE BURNER AND YELLOW AT THE TOP.
3. INSURE THAT THE PILOT FLAME IS STABLE AND CONTACTING THE THERMOPILE.

5. Insure that the flow of combustion and ventilation air is not obstructed.
6. Do not use this appliance if any part has been under water. Immediately call a qualified service technician to inspect the appliance and to replace any part of the control system and any gas control which has been under water.
7. This appliance must only be operated with glass door model number GD36PB or model number GD36B properly installed per the Fireplace Setup instruction section of this manual. If the door is damaged or broken, it may only be replaced by a complete assembly as supplied by the manufacturer. See the Repair Parts List.
8. Never attempt to replace the glass panel with another piece of glass or use any other substitute materials.
9. Never attempt to operate this appliance with a broken glass door.
10. When removing or replacing the glass door for cleaning or inspection, care must be taken not to abuse the glass panel by striking, slamming shut, or scratching against other surfaces.
11. Only trim kits and other optional accessories supplied by the manufacturer may be used with this appliance. Draft relief openings must never be covered or blocked.
12. Cleaning the glass - Wear gloves while handling the glass door assembly. **DO NOT REMOVE GLASS DOOR WHEN HOT.** Handle the glass door with care to avoid striking or scratching the glass. Clean the inside and outside surfaces of the glass panel using a mild detergent and water solution with a soft cloth. Do not use abrasive cleansers which might scratch the glass surface. Do not attempt to clean the glass when the surface is hot. The glass door must be properly reinstalled after cleaning. Do not operate this appliance without the glass door properly in place.
13. Service - Any service to the burner/gas control system or electrical system and its components, must only be performed by a qualified service technician.

OUTSIDE COMBUSTION AIR PRECAUTIONS & RECOMMENDATIONS

NOTE: The use of outside air for combustion is optional unless required by building codes. It is only necessary to supply outside combustion air to one side of the fireplace. Use the model OAC4 combustion air kit.

1. Extremely long runs and numerous turns in the duct leading from the fireplace to the combustion air assembly should be avoided. These conditions will increase the resistance to the free flow of air through the duct. Refer to Figure 9 for methods of installing the outside air for combustion assemblies.
2. The combustion air assembly should be located at an exterior location, which is not likely to be accidentally blocked in any manner. The assembly should be located above the snow line to prevent blockage by snow accumulation.
3. The combustion air inlet assembly should never be mounted in a garage or storage area where combustible fumes such as gasoline might be drawn into the fireplace.
4. Combustion air can be drawn from the crawl space under a house when an adequate supply of air is provided by open ventilation.
5. Do not take combustion air from attic space or garage space.

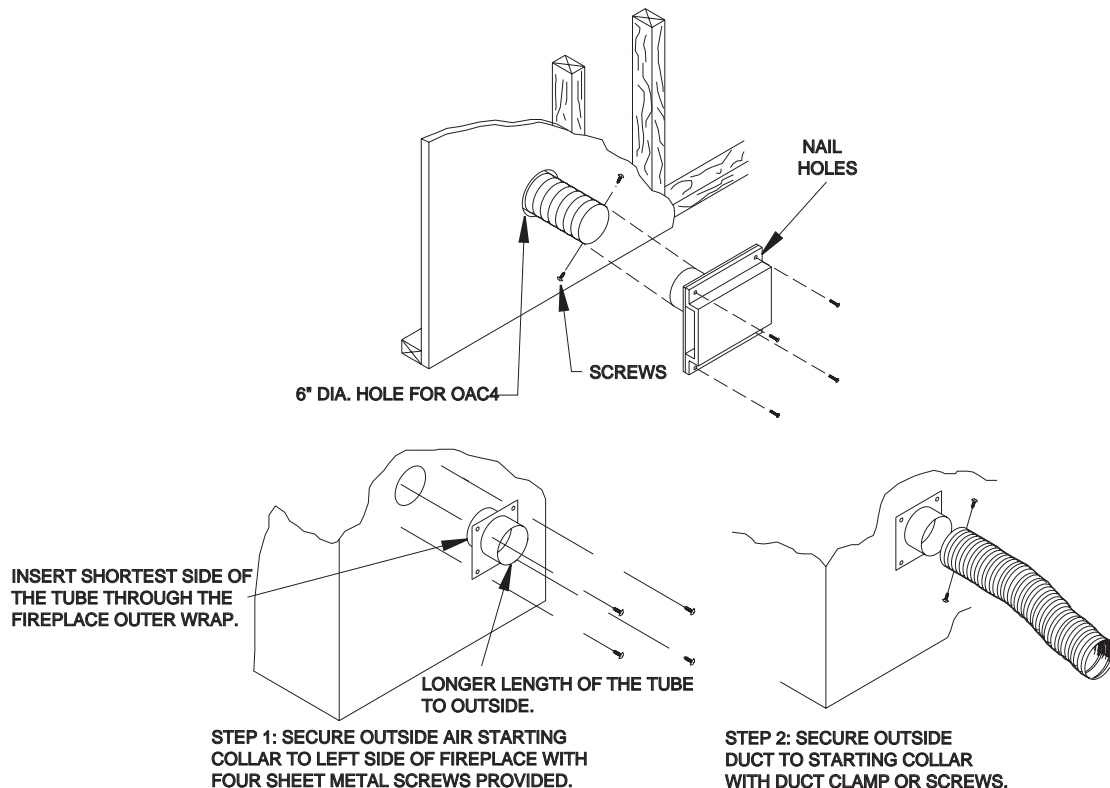


COMBUSTION AIR ASSEMBLY

MODEL OAC-4 COMBUSTION AIR ASSEMBLY

1. Remove the cover plate from the 4-inch outlet opening location on the left outside of the fireplace. **DO NOT** remove the cover if the outside air will not be connected.
2. Place the starting collar (4 inch) into the hole on the left side of the fireplace. Fasten it in place with the four sheet metal screws provided.
3. Cut a 6-inch diameter opening for model OAC-4 in the outside wall covering where the outside vent is to be located.
4. Select and cut a piece of duct sufficient length to attach to the fireplace and protrude at least three inches beyond the face of the wall to which the inlet air vent will be attached. The duct may be cut with a standard pocket knife (use FP-4 U duct for maximum efficiency and safety). Do not use a combustible duct. Always use UL Listed Class 0 or 1 duct material. If it is necessary to splice the duct, a Model 403 duct connector should be used to splice duct sections.
5. If the duct is the insulated type, push the insulation back from one end of the duct approximately two inches.
6. Slip the exposed end of the duct over the starting collar on the fireplace.
7. Using the sheet metal screws or duct clamps, secure the duct to the starting collar and to the outside vent.
8. Nail or screw the outside vent to the surface of the wall.

FIGURE 10



TROUBLESHOOTING

While the manufacturer has made every reasonable effort to insure that this heater operates properly and satisfactorily, sometimes problems do arise. The following troubleshooting chart lists several problems with their probable cause and solution. Any adjustments and/or replacements must be made by a qualified person. Do not replace any component with a different type. Only use components supplied by the manufacturer of this heater.

Problem	Cause	Solution
Flame too large.	Pressure regulator set too high.	Reset, using manometer.
	Defective regulator on heater.	Replace.
	Burner orifice too large.	Replace with correct size.
Noisy flame.	Noisy pilot.	Reduce pilot gas.
	Burr in orifice.	Remove burr or replace.
Yellow excessive flame.	Too little primary air.	Clean air intake to burners..
	Clogged burner ports.	Clean ports.
	Misaligned orifice.	Realign or replace burner.
	Clogged vent system	Clean.
Floating flame.	Blocked venting.	Clean.
	Insufficient primary air.	Clean intake to burners.
Delayed ignition.	Improper pilot location.	Reposition pilot.
	Pilot flame too small.	Check orifice, increase gas.
	Burner ports clogged.	Clean ports.
	Low pressure.	Adjust pressure regulator.
Failure to ignite.	Main gas OFF.	Open manual valve.
	Defect in gas valve.	Replace.
Main burner won't turn OFF.	Defective auto. pilot valve.	Clean or replace.
Main burner won't turn ON.	Defective auto. valve.	Replace.
	Defective auto. valve.	Replace.
	Defective thermocouple.	Repair or replace.
	Defective switch.	Replace.
Burner and pilot flame go out.	Poorly functioning vent system	If pilot can be relit but main burner and pilot go off after ignition, have vent system checked and corrected immediately.
	Gas supply interrupted.	Attempt to relight pilot and main burner. If unable to relight pilot, check thermocouple and/or control.
	Defective thermocouple or control	Replace.

PARTS LIST

All repair part orders should be placed through your local dealer. To ensure prompt and accurate service, please provide the following information when placing a repair part order: Model number of your Appliance, Part Name, Part Number, and Quantity of parts needed.

**Technical Service Department
2813 W. Mall Drive, Unit B.
Florence, Alabama 35630.
Tel. - 1-866-500-5671
www.monessenhearth.com**

Description	Part
Glass Door Brass	077155A
Glass Door Black	077154A
Log Set	077101A
Burner	073728A
Orifice (Natural #45)	066308A
Orifice (LP #55)	077403A
Pilot (Standing Pilot Natural)	073390A
Pilot (Standing Pilot LP)	073391A
Piezo Ignitor	057958A
Gas Valve (Standing Pilot Natural)	057955A
Gas Valve (Standing Pilot LP)	057956A
Pilot (Electronic Ignitor)	060874A
Gas Valve (Electronic Ignitor)	053297A
Transformer Assembly	053298A
Electronic Ignitor Module	052139A

NOTES

NOTES

NOTES

ATTENTION

**APPLIANCE
INSTALLER**

**PLEASE RETURN THESE OPERATING
AND INSTALLATION INSTRUCTIONS
TO THE APPLIANCE FOR
CONSUMER USE.**